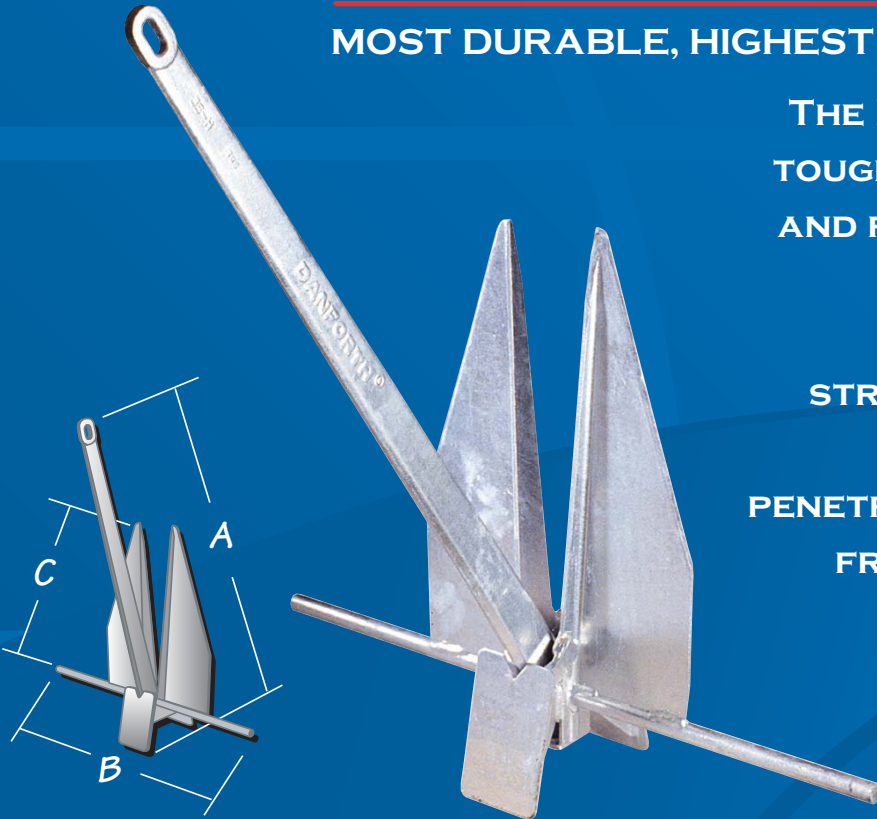




GENUINE DANFORTH® HI-TENSILE® MARINE ANCHORS

MOST DURABLE, HIGHEST HOLDING POWER ANCHOR

THE DANFORTH HI-TENSILE IS OUR TOUGHEST, MOST DURABLE ANCHOR AND FEATURES VERY HIGH HOLDING POWER. THE FLUKES ARE FABRICATED FOR ADDITIONAL STRENGTH AND THEN BEVELED TO ALLOW QUICK, DEEP BOTTOM PENETRATION. EACH SHANK IS MADE FROM DROP FORGED STEEL. HOT DIPPED GALVANIZED FINISH.



Part Number	Model	Holding Power (lbs)	Weight (lbs)	Boats Up To: (20K Winds)	Chain Dia.	A Anchor Height	B Stock Length	C Fluke Length
94019	5H®	1000	5	31	4'- 5/16"	21-1/2"	16-1/2"	11-3/4"
94020	12H®	1800	12	42 FT.	6'- 3/8"	28-1/4"	21-1/2"	13-1/2"
94021	20H®	2500	20	50 FT.	7'- 7/16"	35"	26-3/4"	19"
94022	35H®	3800	35	64 FT.	8'- 1/2"	40-3/4"	31"	22"
94023	60H®	5500	60	73 FT.	8'- 5/8"	50"	38"	27"
94024	90H®	6300	90	75 FT.	8'- 3/4"	54"	41"	29-1/4"
94025	150H®	7000	150	80 FT.	8'- 3/4"	57-1/4"	43-1/2"	30-1/2"
94026	190H®	7700	190	83 FT.	8'- 7/8"	61"	46"	33-1/2"

* Tested under equivalent conditions and average bottom conditions

TIE DOWN ENGINEERING • 5901 Wheaton Drive • Atlanta GA, 30336
www.tiedown.com • (404) 344-0000 • FAX (404) 349-0401



© Registered Trademark of TIE DOWN ENGINEERING, Inc. Atlanta, Georgia 30336 www.danforthanchors.com

080504,311