

# Whale Twist® Deck Shower

## NEW Whale Twist® Deck Shower with integrated Temperature and Flow Controls

An award winning radical innovation in deck showers. The Twist puts control in your hands with its unique handset incorporating temperature and flow control in a single easy to use unit.

A radical innovation in deck showers putting control in your hands

### Unique Whale Twist® Handset



**Deck Protect® End Cap**  
Prevents damage to gel coat  
Splash-proof seal

**Easy clean**  
Clear nozzles

**Ease of use**  
Twist control

**Maintenance-free**  
Ceramic valve technology

**Simple plumbing**  
Mixer Model: Patented D hose  
Cold Only Model: Flexible hose

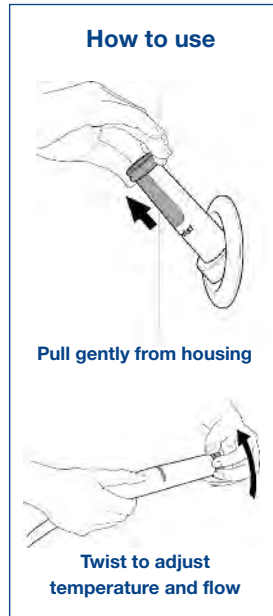


**Long life**  
Marine-grade materials

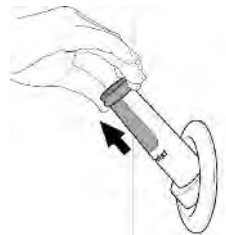
### Ease of Installation

- Compact unobtrusive housing
- Only one circular hole to cut and simple plumbing connection

Product codes:  
DS0005 Cold only  
DS0006 Mixer



### How to use



Pull gently from housing



Twist to adjust temperature and flow



Typical Installation

AWARD WINNING DESIGN  
Institute of Designers in Ireland - Product Design Award

**Accessories - For deck showers**  
**AK0015 Twist stowage bag**  
**- for neat stowage of DS0005/ DS0006**

Note - this product is only suitable for use with 2.5 metre (8.2 ft) hose Twist® models)



AK0015

# Features and Benefits

## Unique Integrated Handset

- Incorporates shower temperature and flow controls
- Easy to use-streamlined ergonomic design
- High quality UV resistant ASA materials

## No Lids or Covers

- Deck Protect® End Cap creates a splash-proof seal

## Mounts in Convenient Locations

- Housing options offer a choice of horizontal or vertical mounting on a flat or curved surface

## Ease of installation

- The new Whale Twist® Deck Shower is quick and easy to install. It is available with either a chrome straight housing, or a white angled housing

## Plumbing

- All Whale Twist® Deck Shower models are easy to plumb. Mixer models include a temporary shut off valve as standard.

## 1 Year Warranty

## Award Winning Design

- IDI Award - Institute of designers in Ireland - Product design award winner
- DAME Innovation Awards 2007 - Special mention

## COMPLETE YOUR SYSTEM

Freshwater system accessories such as water filters, and pipework connections

## YOU MAY ALSO LIKE

Watermaster Automatic Pressure Pumps

NEW Supersub Smart – Narrow low profile Automatic Bilge Pumps

Whale faucets and showers



## Product Information

### Model Specifications

Model	Whale Twist® DS0005 cold only	Whale Twist® DS0006 mixer hot & cold
Hose Description	Cold only flexible hose	Patented D Hose
Weight	130 g (0.3 lbs) / 200g (0.45 lbs)	
Hose Length	2.5 m (8.2 ft)	
Hose Connections	3/8" BSP Female / 15mm Quick Connect Male	1/2" threaded connections
Materials	Handset - ASA, Internal parts -TPE, Nitrile®, POM, Hose - Reinforced Polyurethane, Hose connections - PBT, End Cap - Chromed ABS, Straight Housing - Chromed ABS, glass-filled Polypropylene, Angled Housing - ASA, Screws and Hose Clips - Stainless Steel	

### Whale Twist® Retail packed models (individual carton)

Product Code	Description
DS0005	Whale Twist® Deck Shower Cold only (Pale grey / white) with 2.5 m (8.2ft) white hose. Includes straight housing (chrome) and angled housing (white) options
DS0006	Whale Twist® Deck Shower - Mixer (Pale grey / white) with 2.5 m (8.2ft) white hose. Includes straight housing (chrome) and angled housing (white) options

Note: Retail packed models include plumbing connections for 15 mm Whale Quick Connect or 1/2" threaded

### The Whale Twist® Deck Shower is protected by the following patent and design registration applications:

This product is protected by the following patents and patent applications: Australian Patent Application No. AU 2007 231705; European Patent Application No. EP 07 119 601.8; United States Patent No. US 7 753 291; Norwegian Patent Application No. NO 2007 5455; and New Zealand Patent No. NZ 562931.

Patents pending in Europe (EP 2171164, EP 2179095), the USA (US 20100288852, US 20100294861), and Australia (AU2008261206, AU 2008261207)

Registered Community Design Nos 000805957-0001/0002/0003

United States Design Patents USD 588683 & USD 583012

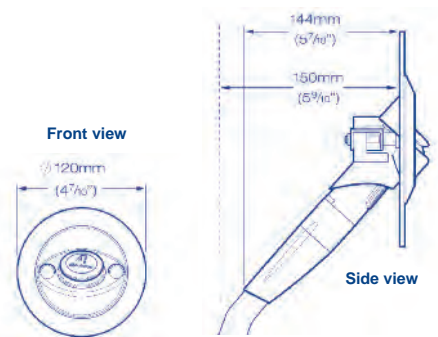
Canadian Registered Design Nos 124293 & 124294

Australian Registered Design Nos 319453 & 318959

WHALE TWIST® and DECK PROTECT™ are trade marks of Munster Simms Engineering Limited (also trading as Whale Water Systems).

Note: These specifications are retail items only.

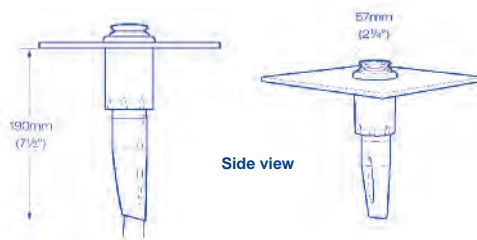
For details of our bulk pack range for boat builders and wholesalers - contact Whale Support.



Angled Housing



Handset



Straight Housing