



Pump Accumulator Kit

For Smooth Constant flow—prevents water hammering and cycling

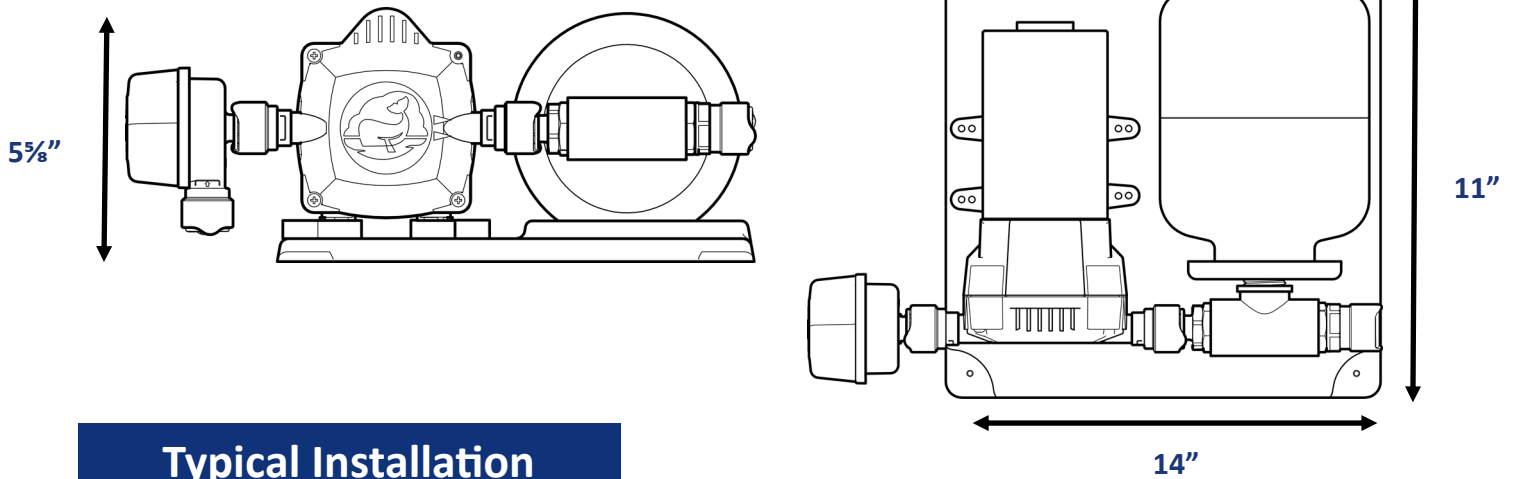
Combined pump and accumulator tank ensures a smooth even flow of water to all outlets

- Compact design installs easily in convenient locations
- Reduced noise and vibration by preventing pump cycling
- Connects directly to Whale Quick Connect 15mm plumbing system
- Can be fitted to new or existing systems
- Includes long life Whale pressure pump



Product Code	UF2214 (B)	UF2215 (B)	UF2224 (B)	UF2225 (B)
Pressure Pump	UF1214	UF1214	UF1224	UF1225
Accumulator Tank Size	0.53 US Gals			
Open Flow Rate (per minute)	3.0 US Gals			
Voltage	12 V d.c.		24 V d.c.	
Cut Out Pressure	2 bar (30psi)	3 bar (45psi)	2 bar (30psi)	3 bar (45psi)
Weight	8.59lbs			
Factory Pre-charge	1.5 bar (22 psi)	2.2 bar (32psi)	1.5 bar (22 psi)	2.2 bar (32psi)
Inlet and Outlet Size	Whale® Quick Connect 15mm Female Connections			
Materials in contact with Liquid	Glass-filled Polypropylene, Monprene®, Nitrile®, Stainless Steel, Butyl			
Minimum Wire Size	2.5mm ² (20 SWG)			
Maximum Head	66ft	99ft	66ft	99ft)
Maximum Lift	10ft			

Product Dimensions



Typical Installation

