

Gulper® Grouper

Fishbox evacuation pump 1" (25mm) or 1 1/2" (38mm) standard hose connections

Built on more than a decade of market leading pump technology. Unlike macerator pumps, Gulper valve technology means no filters, no clogging or motor burn out, just reliable waste management. Pumps out fishbox and baitwell waste without clogging



Non choke valves in pump head designed to handle fish waste - no motor to clog or burn out

Reliability contains single heavy duty diaphragm for heavy duty use



Diaphragm technology no impeller to clog or burn

Straight forward installation multi directional head rotates 360° for convenient installation

Simple plumbing designed for connection to heavy duty hose 1" (25mm) / 1 1/2" (38 mm) hose size

Large inlet port for efficient pumping



New Gulper Grouper Mk 3 with 90° head - Ideal replacement for macerators

NEW MODEL

Our latest generation model includes 90° port orientation to retrofit in line with existing macerator pumps in compact areas.

You Can Depend On Diaphragm Pump Technology: No Impeller To Clog Or Burn

- Non-choke valves- easily handle fishbox waste
- Easy to install - 360 degree head rotation and choice of 1" (25mm) or 1 1/2" (38mm) hose connections
- Easy to maintain and clean
- Ideal replacement for macerator pumps
- Fast pump out - up to 25.5 ltrs (6.75 US gals) per minute
- Long term durability - runs dry without damage
- Save battery - Low power consumption

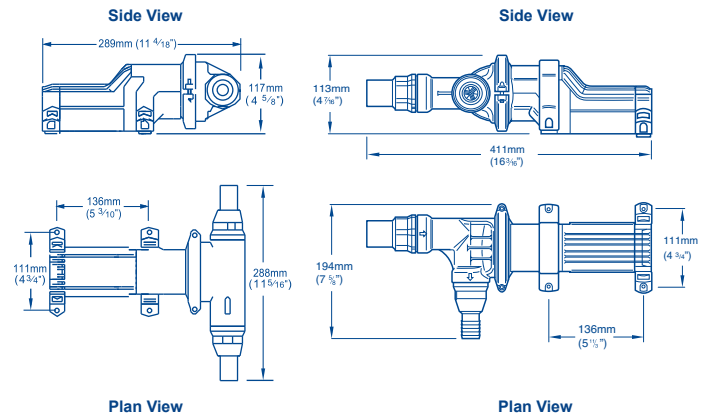
1 Year Warranty

Awards and Accreditations

- ISO10133 Electrical systems
 - extra low voltage dc installations
- Ignition protected ISO8846.
- CE marked
- IP45 rated

Mk 1 and 2 models

NEW Mk 3 models



COMPLETE YOUR SYSTEM

See page 48-51 for accessories including pipework elbows and Y pieces.

YOU MAY ALSO LIKE

Gulper 320 - page 116-117



Product Information

Model Specifications

Model	Gulper® Grouper Fishbox Discharge Pump		Gulper® Grouper Mk 2 Fishbox Discharge Pump		NEW Gulper® Grouper Mk 3 Fishbox Discharge Pump with 90° head	
	Product Code	BP4572	BP4574	BP4672	BP4674	BP4772
Voltage	12 V d.c.	24 V d.c.	12 V d.c.	24 V d.c.	12 V d.c.	24 V d.c.
Recommended Fuse Size Automotive	10 amp	5 amp	10 amp	5 amp	10 amp	5 amp
Minimum Wire Size	1.5 mm ² (16 AWG)					
Weight	1.6 kg (3.5 lbs)					
Hose Connections	25 mm (1") or 38 mm (1 1/2")					
Materials	Pump Body: Aluminium, Glass-filled Nylon, Clamp Ring: Acetal, Diaphragm: Santoprene®, Valves: Nitrile®, Feet: EPDM, Gearwheel: Bronze, Fasteners: Stainless Steel, Brass			Pump Body: Aluminium, Glass-filled Nylon, Clamp Ring: Acetal, Diaphragm: Santoprene®, Valves: Nitrile®, Feet: EPDM, Gearwheel: Delrin, Fasteners: Stainless Steel, Brass		
Materials in Contact With Fluid	Glass-filled Nylon, Nitrile, Santoprene®, Stainless Steel					
Maximum Suction Lift	0.5m (1.7ft)				1m (3.3ft)	
Maximum Discharge Head	3m (10 ft)				2m (6.5ft)	
Maximum Discharge Head and Suction Lift (combined)	3m (10 ft)				3m (10ft)	
Flow Rate per Minute	25.5 ltrs (6.75 US gals)			18 ltrs (4.75 US gals)		
Dry Running Current	5 amps	2.5 amps	4 amps	2 amps	4 amps	2 amps
Service Kit	AK1557 - service kit head					

Performance Data

	BP4572 / BP4574	BP4672 / BP4674	BP4772 / BP4774
Suction Lift	0	0	0
Discharge Head	1 m (3 ft)	1 m (3 ft)	1 m (3 ft)
Flow Rate per Minute	22ltrs (5.8 US gals)	18 ltrs (4.75 US gals)	16 ltrs (4.22 US gals)
Current Draw	7.2 amp (12 V d.c.) 3.6 amp (24 V d.c.)	7 amp (12 V d.c.) 3.5 amp (24 V d.c.)	6 amp (12 V d.c.) 3 amp (24 V d.c.)

Note: These specifications are retail items only, and are based on using 1 1/2" inlet and 1" outlet port connection in Whale lab testing in 2014
For details of our bulk pack range for boat builders and wholesalers - contact Whale Support.