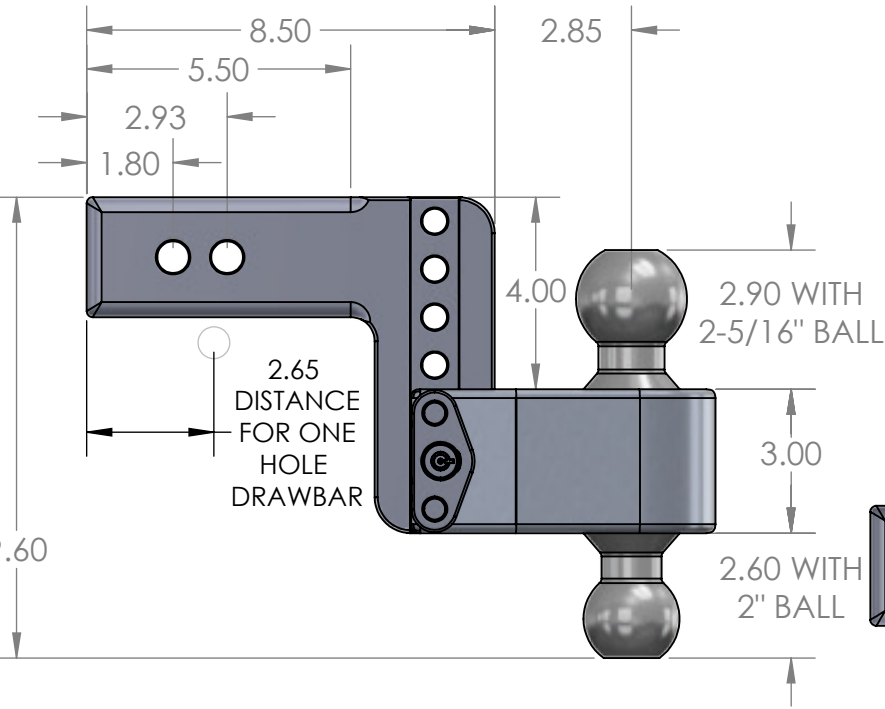


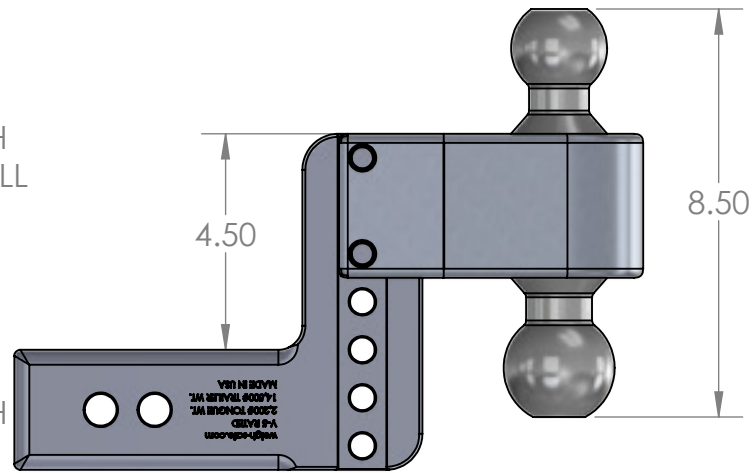
# WEIGH SAFE, LLC LTB 4X2.5 HITCH

NOTE: FOR ALL HITCH MANUFACTURERES, THE 'DROP' IS MEASURED FROM THE TOP OF THE RECIEVER BAR TO THE TOP OF THE BALL HOUSING,

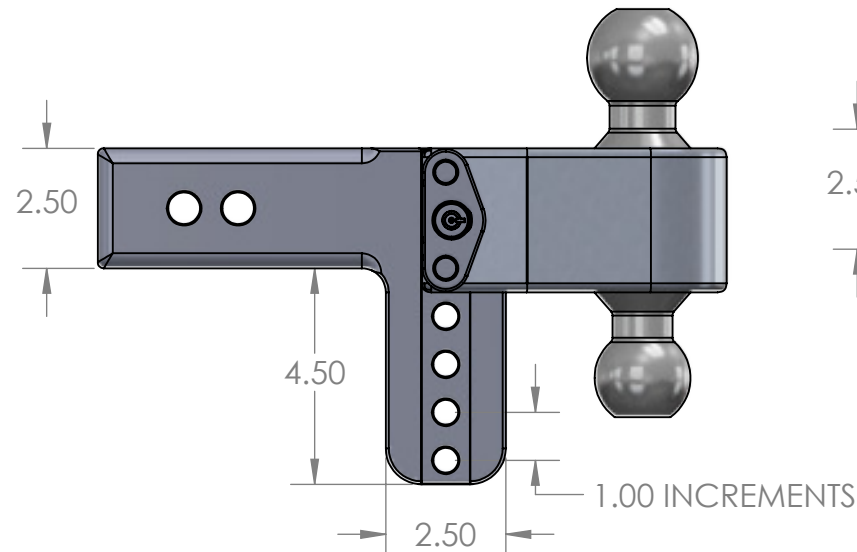
LOWER POSITION



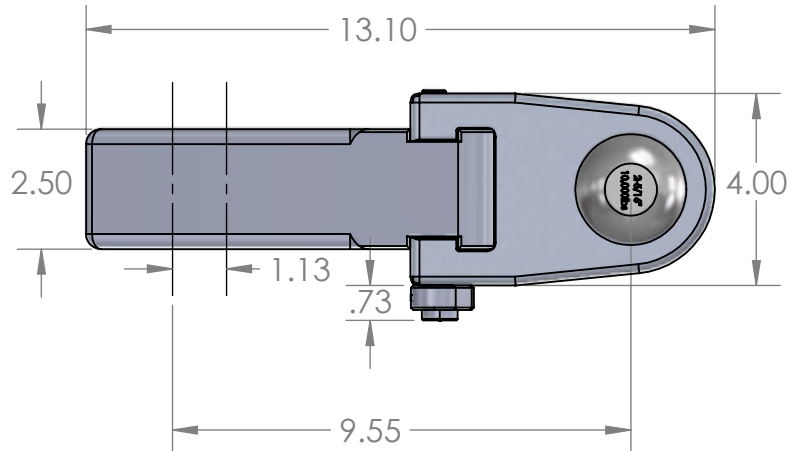
RISE POSITION



UPPER POSITION



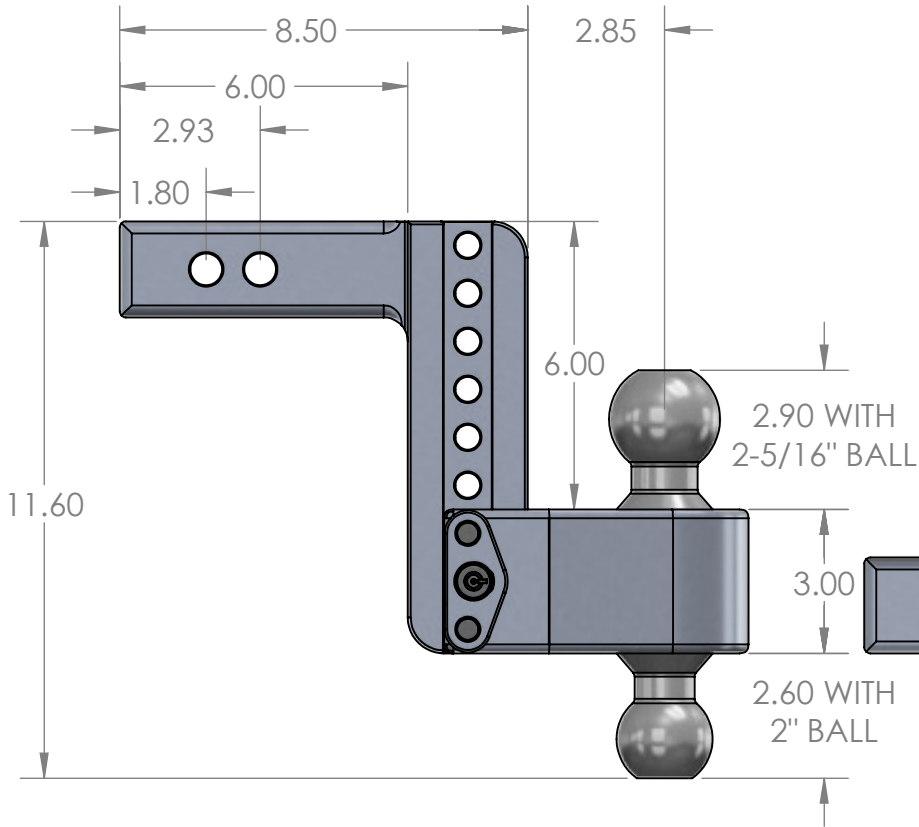
TOP VIEW



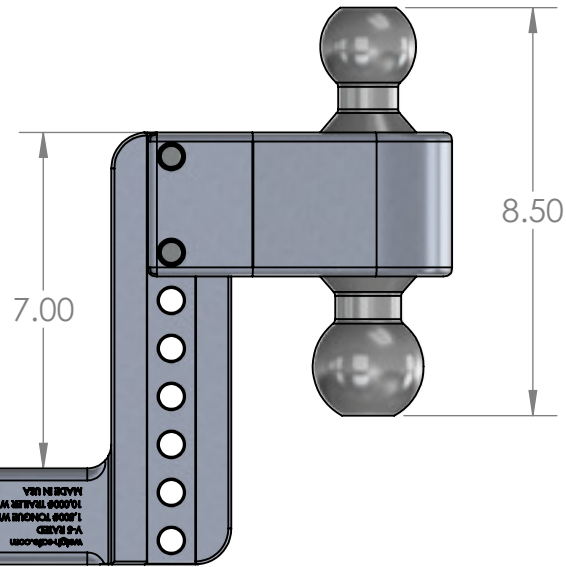
# WEIGH SAFE, LLC LTB 6X2 HITCH

NOTE: FOR ALL HITCH MANUFACTURERS, THE 'DROP' IS MEASURED FROM THE TOP OF THE RECEIVER BAR TO THE TOP OF THE BALL HOUSING

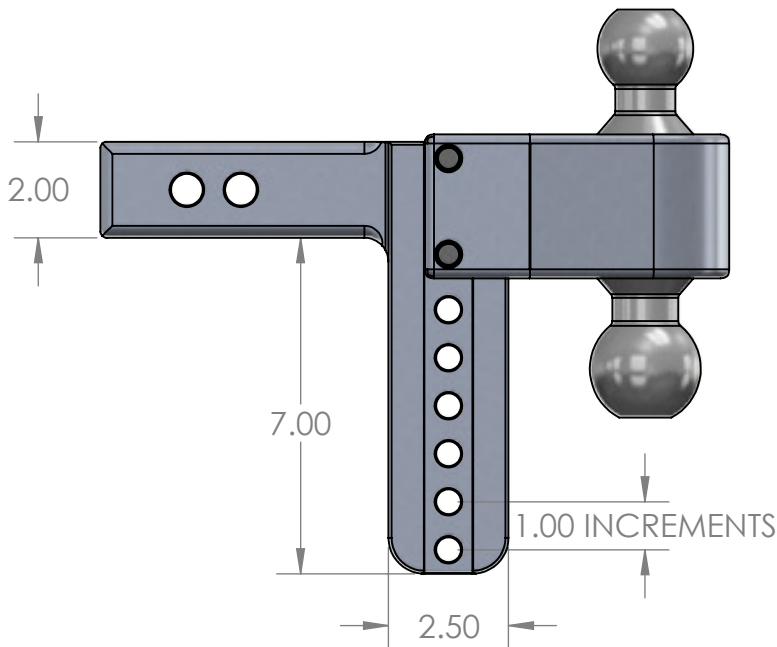
LOWER POSITION



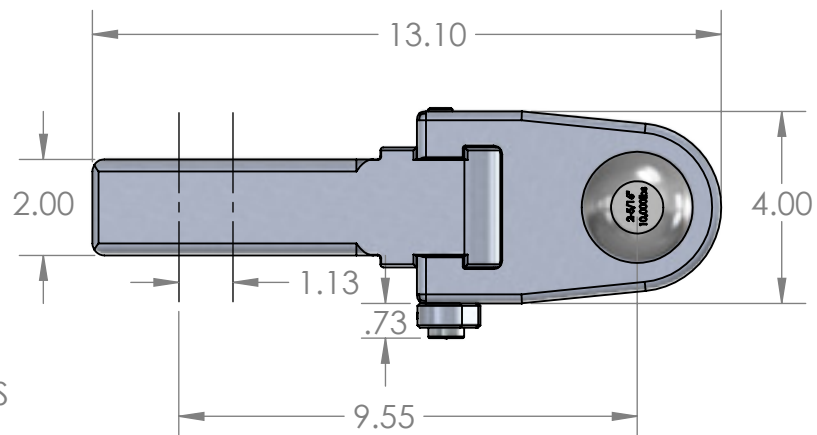
RISE POSITION



UPPER POSITION



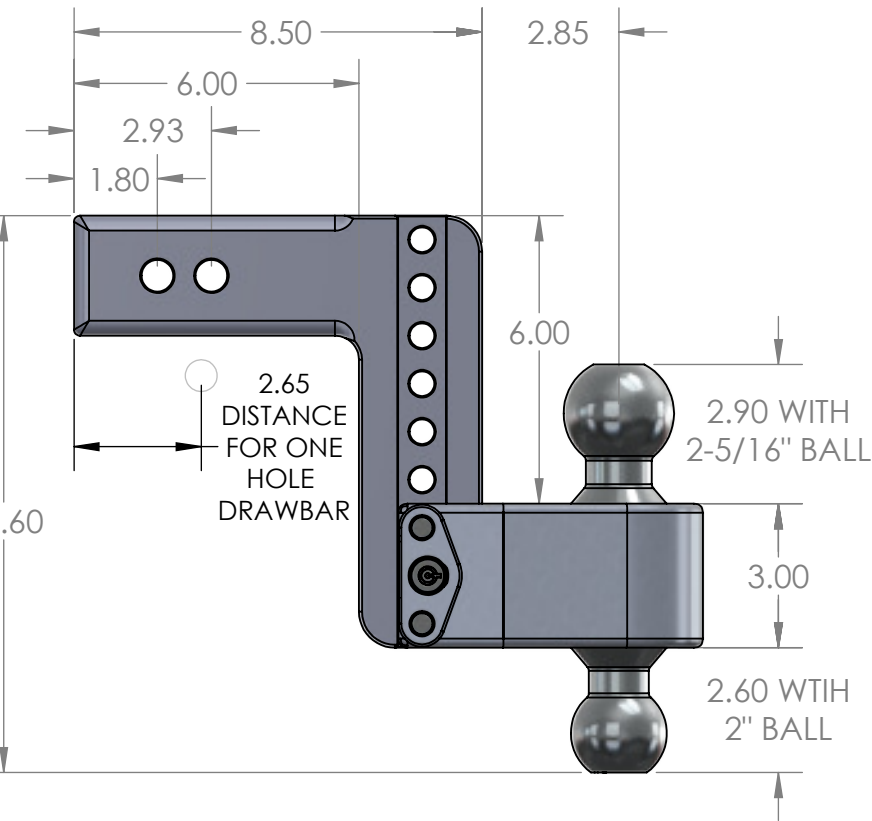
TOP VIEW



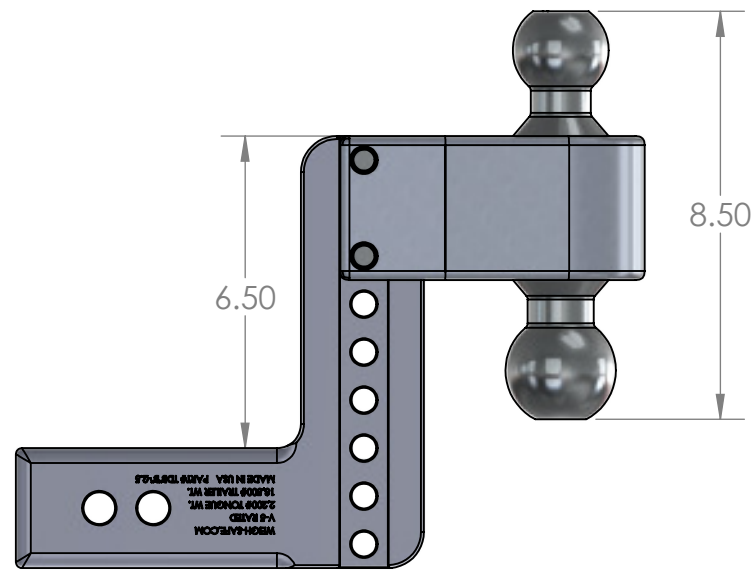
# WEIGH SAFE, LLC LTB 6X2.5 HITCH

NOTE: FOR ALL HITCH MANUFACTURERES, THE 'DROP' IS MEASURED FROM THE TOP OF THE RECIEVER BAR TO THE TOP OF THE BALL HOUSING,

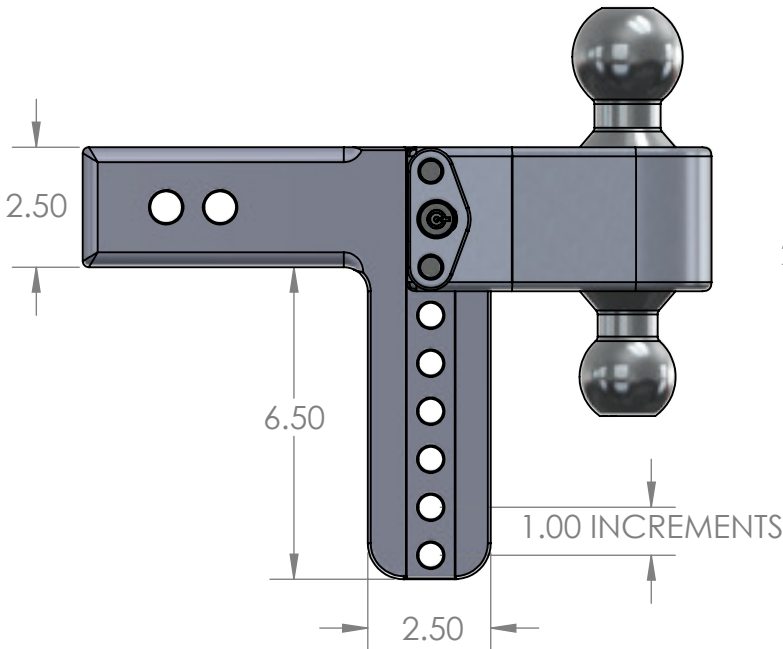
LOWER POSITION



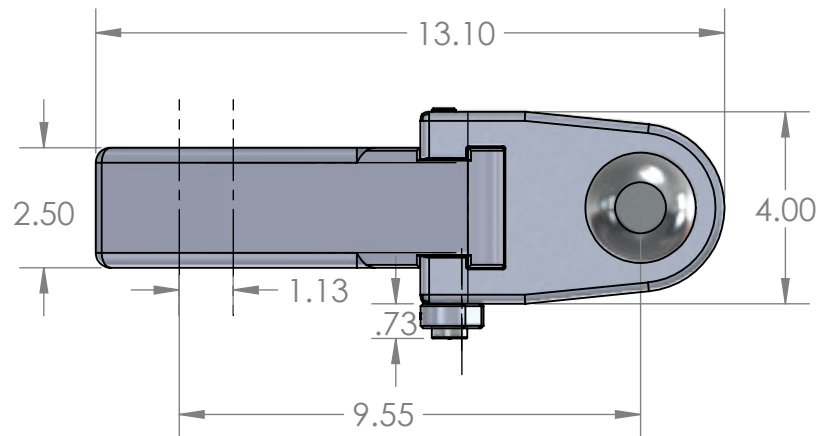
RISE POSITION



UPPER POSITION



TOP VIEW

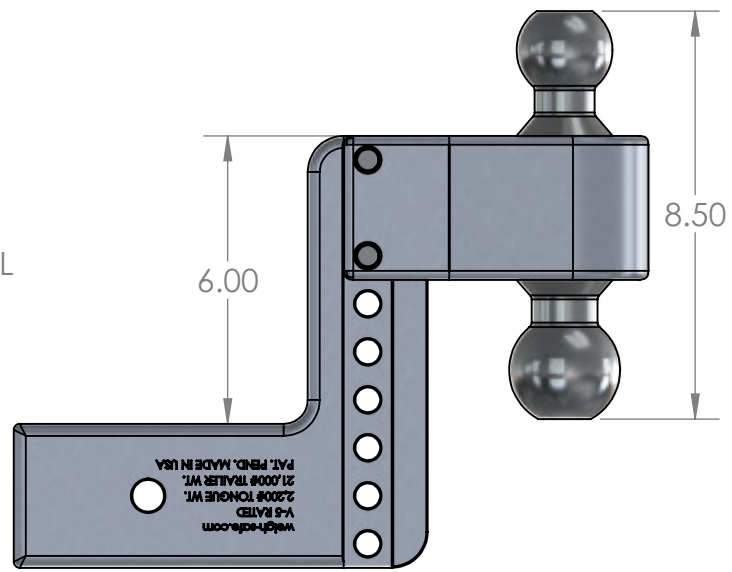
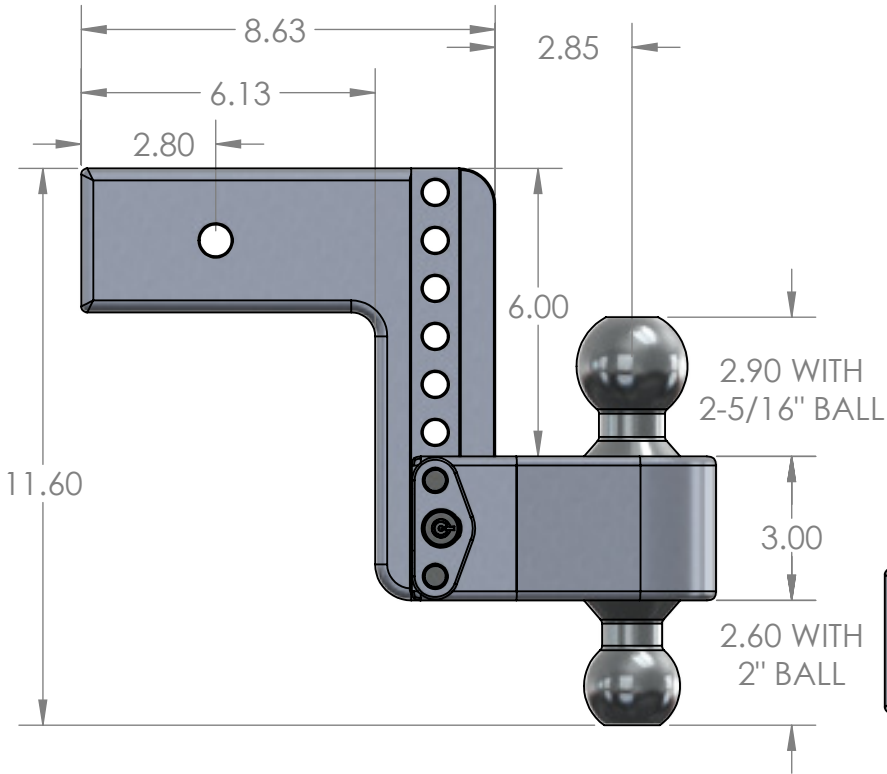


# WEIGH SAFE, LLC LTB 6X3 HITCH

NOTE: FOR ALL HITCH MANUFACTURERES, THE 'DROP' IS MEASURED FROM THE TOP OF THE RECIEVER BAR TO THE TOP OF THE BALL HOUSING,

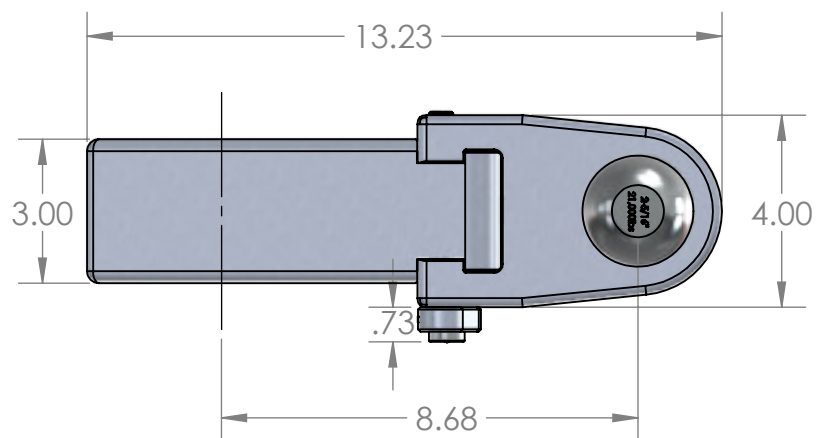
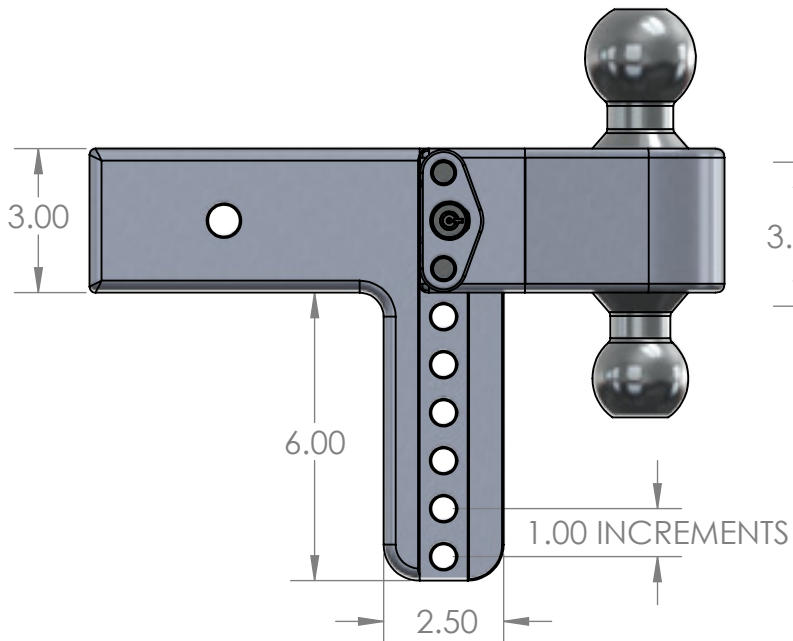
LOWER POSITION

RISE POSITION



UPPER POSITION

TOP VIEW



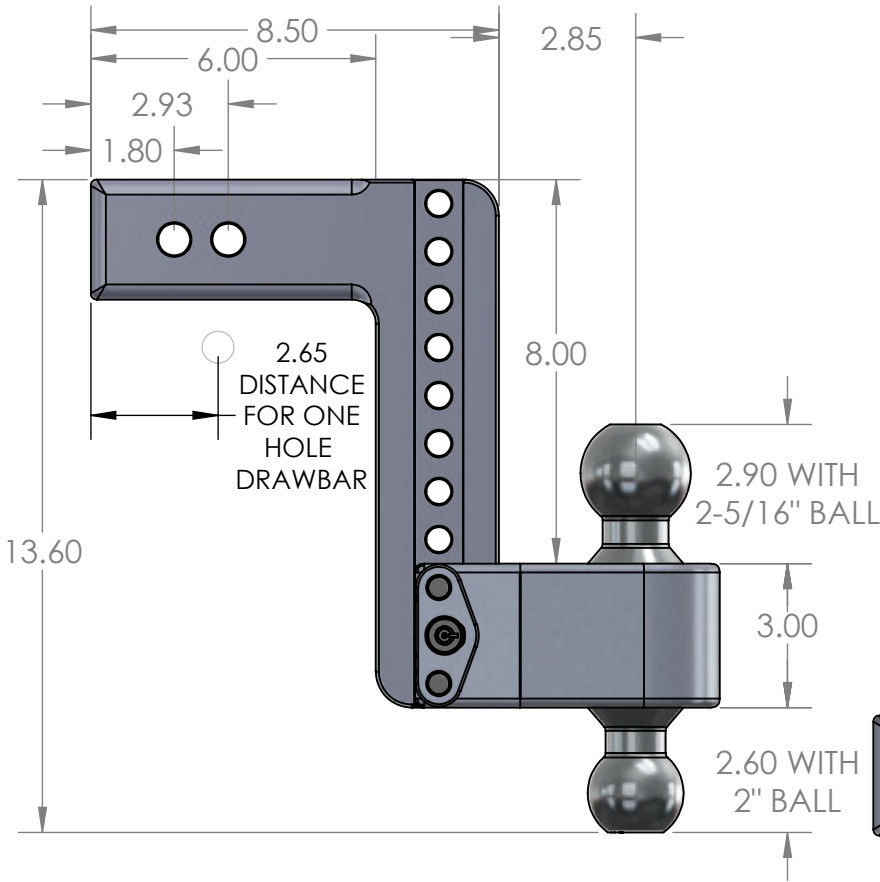


# WEIGH SAFE, LLC

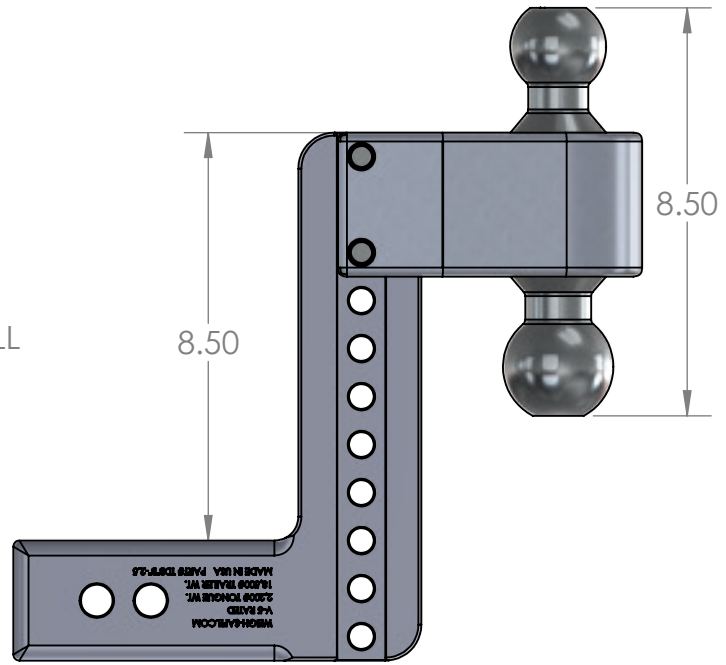
## LTB 8X2.5 HITCH

NOTE: FOR ALL HITCH MANUFACTURERES, THE 'DROP' IS MEASURED FROM THE TOP OF THE RECIEVER BAR TO THE TOP OF THE BALL HOUSING,

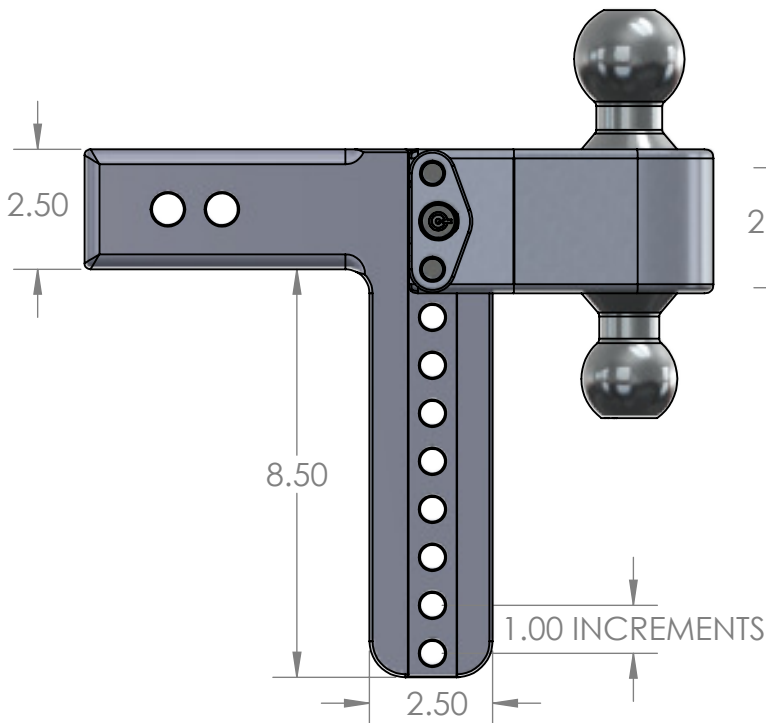
LOWER POSITION



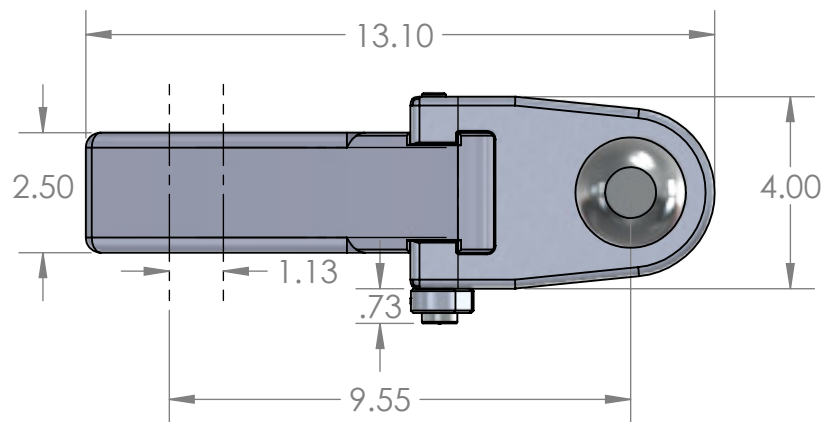
RISE POSITION



UPPER POSITION



TOP VIEW

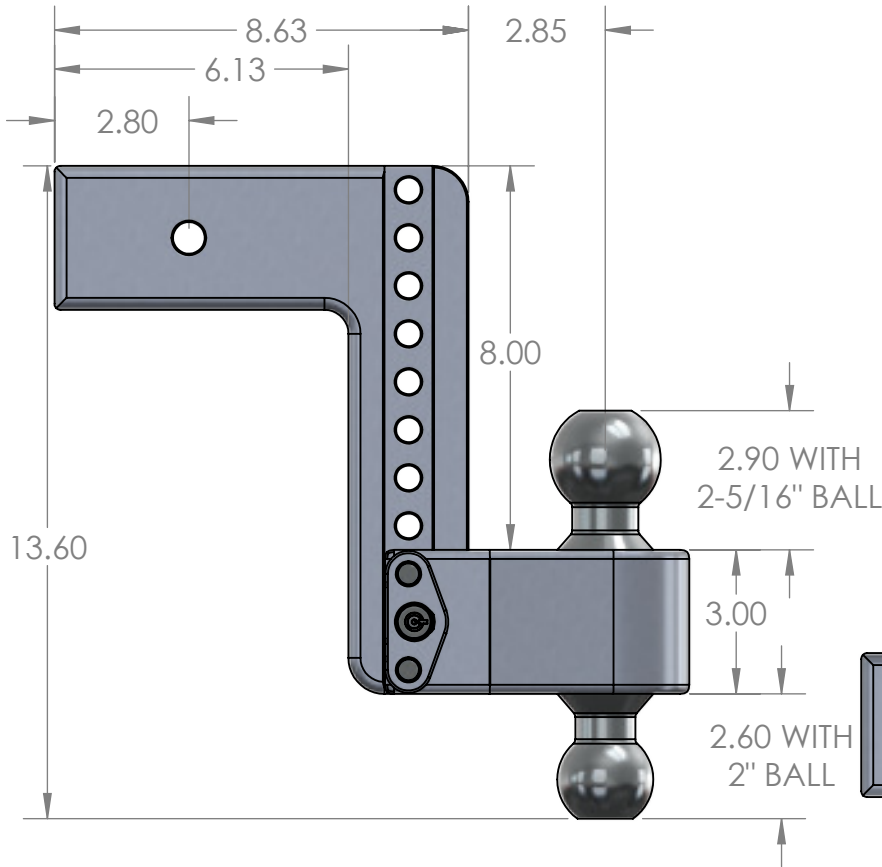


# WEIGH SAFE, LLC

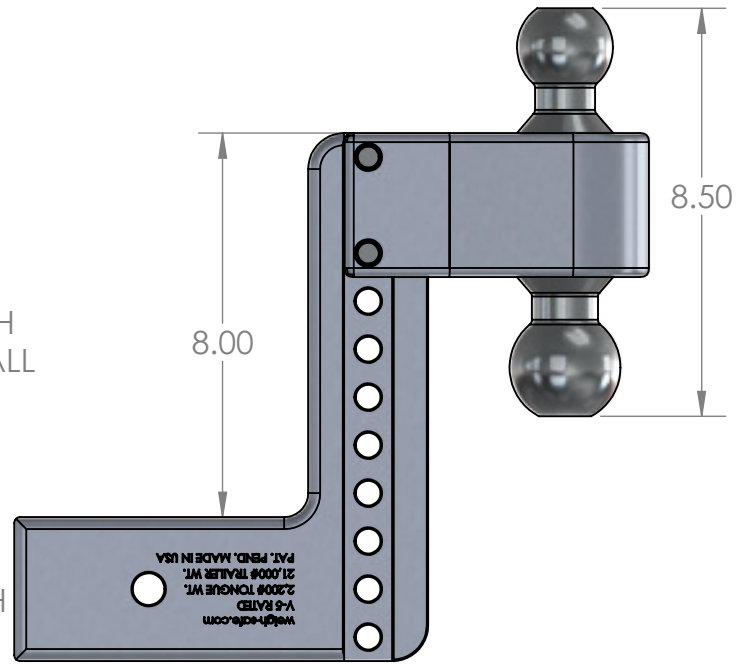
## LTB 8X3 HITCH

NOTE: FOR ALL HITCH MANUFACTURERS, THE 'DROP' IS MEASURED FROM THE TOP OF THE RECEIVER BAR TO THE TOP OF THE BALL HOUSING,

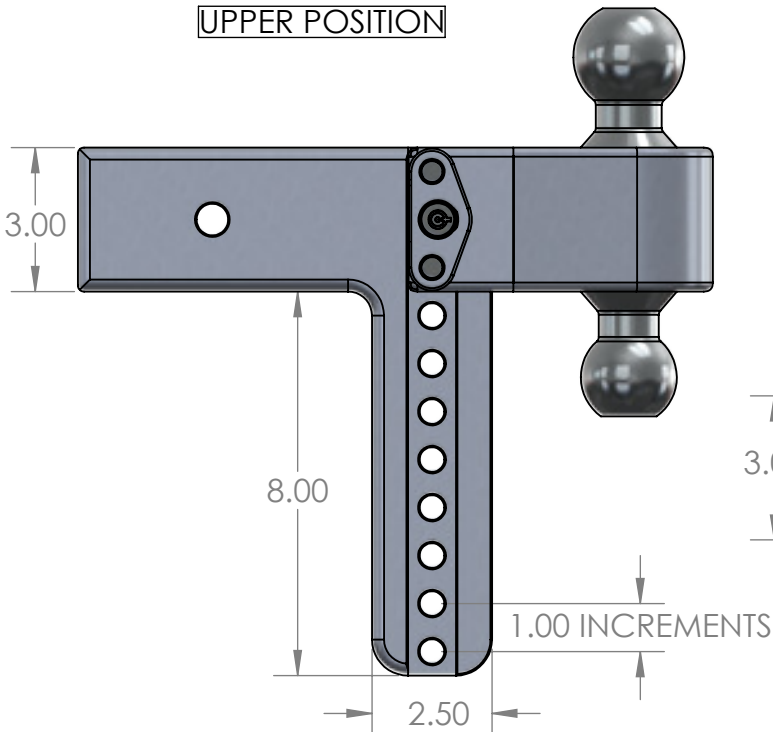
LOWER POSITION



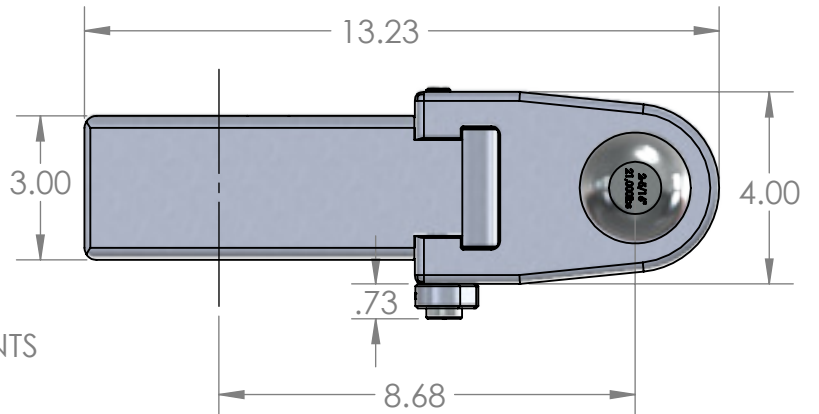
RISE POSITION



UPPER POSITION



TOP VIEW

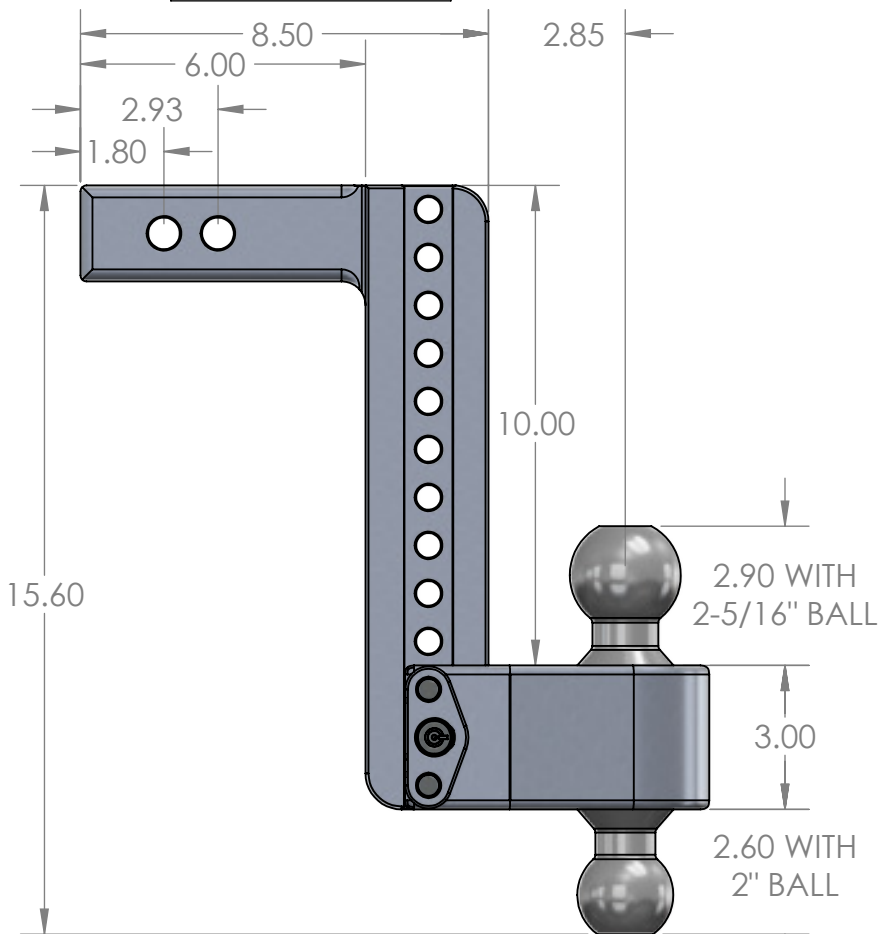


# WEIGH SAFE, LLC

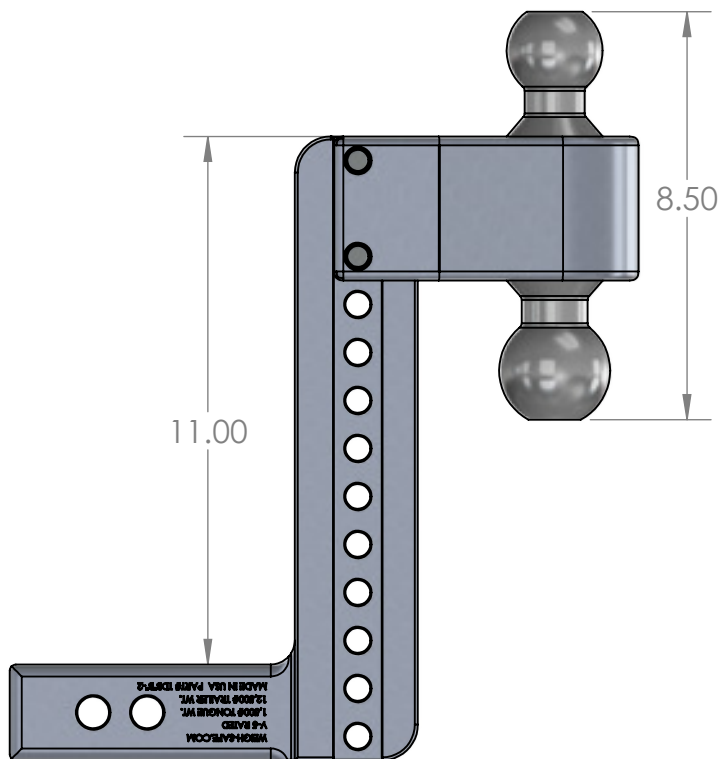
## LTB 10X2 HITCH

NOTE: FOR ALL HITCH MANUFACTURERES, THE 'DROP' IS MEASURED FROM THE TOP OF THE RECIEVER BAR TO THE TOP OF THE BALL HOUSING,

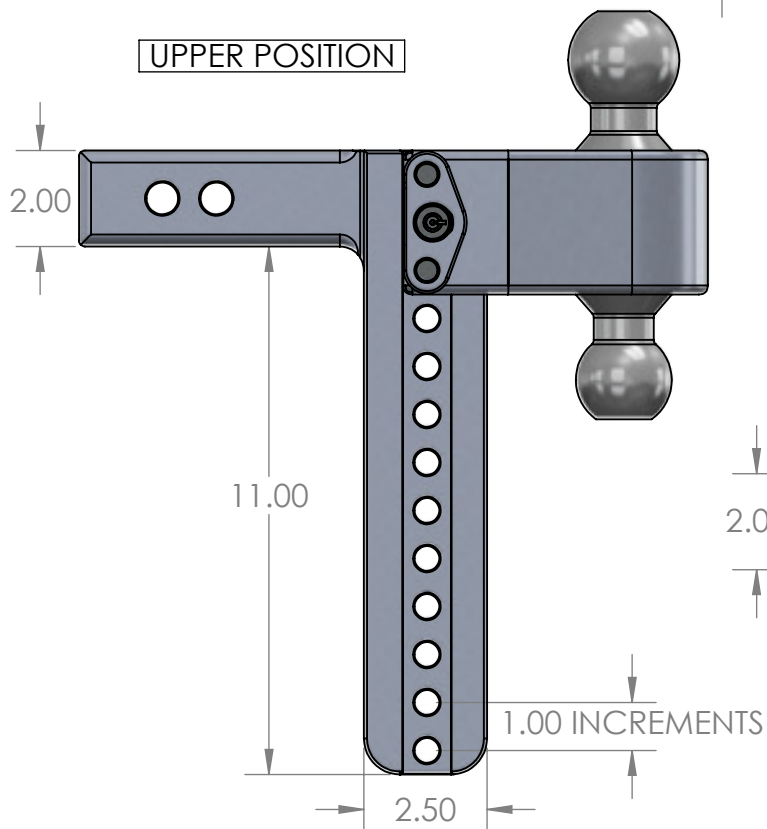
LOWER POSITION



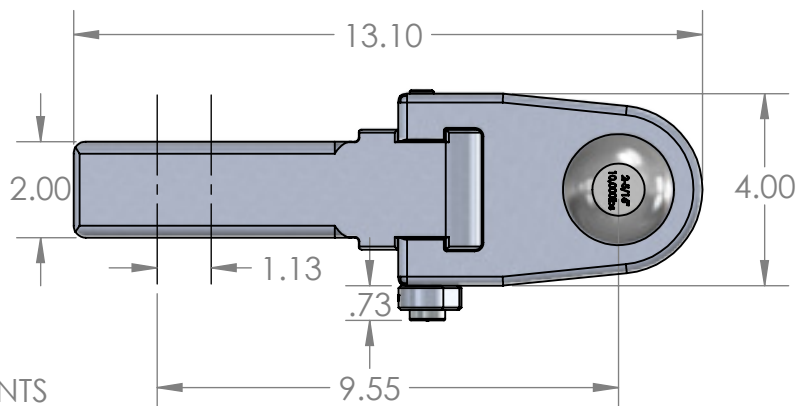
RISE POSITION



UPPER POSITION



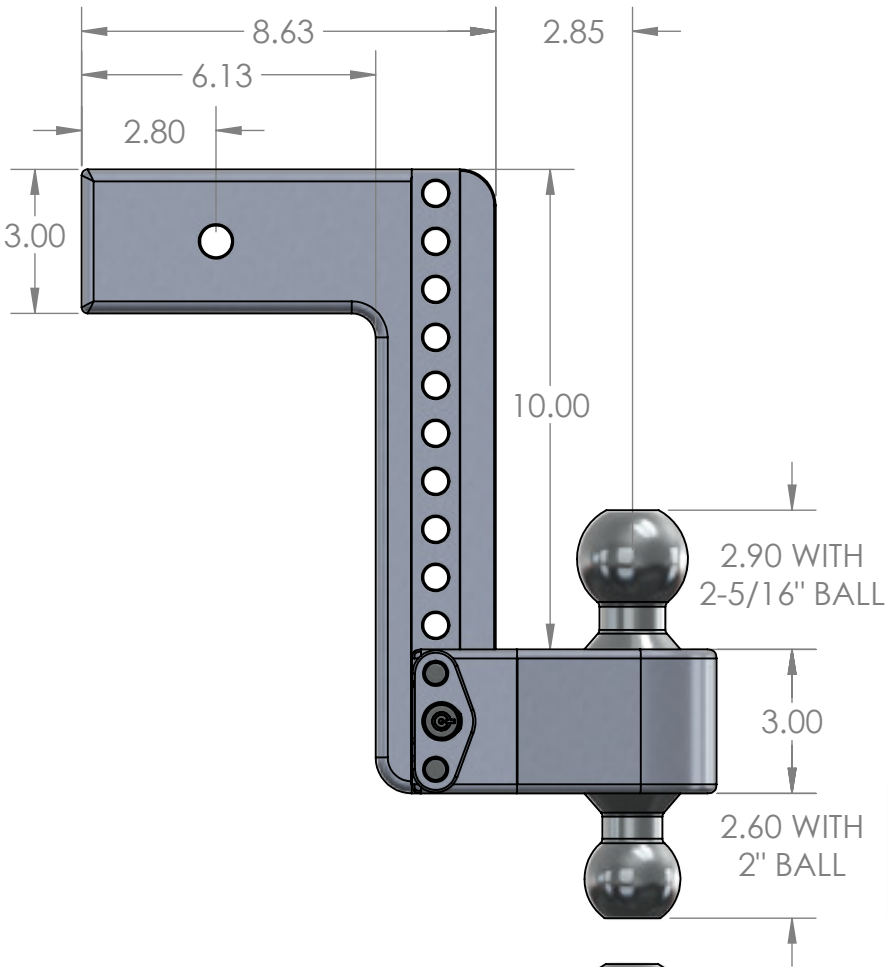
TOP VIEW



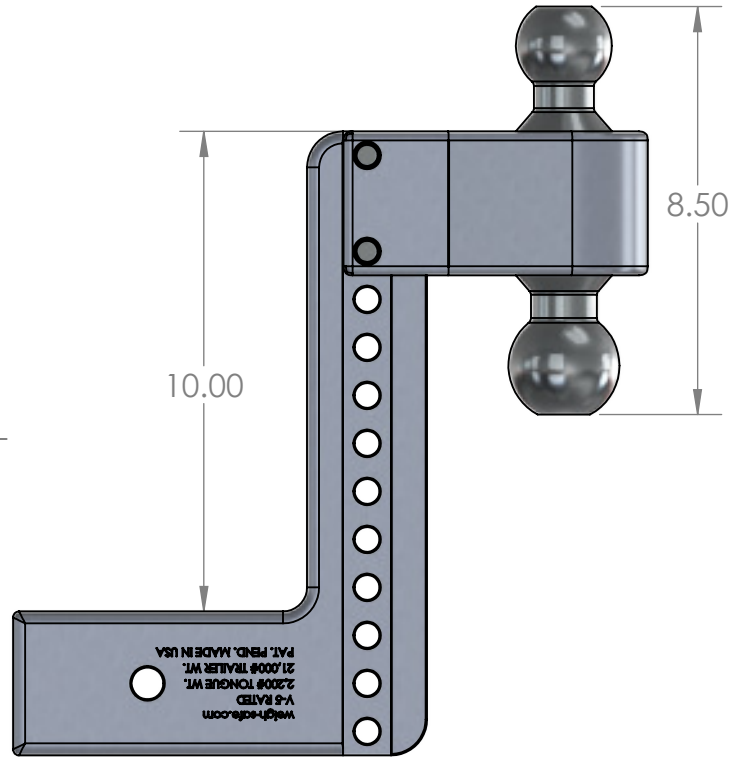
# WEIGH SAFE, LLC LTB 10X3 HITCH

NOTE: FOR ALL HITCH MANUFACTURERES, THE 'DROP' IS MEASURED FROM THE TOP OF THE RECIEVER BAR TO THE TOP OF THE BALL HOUSING,

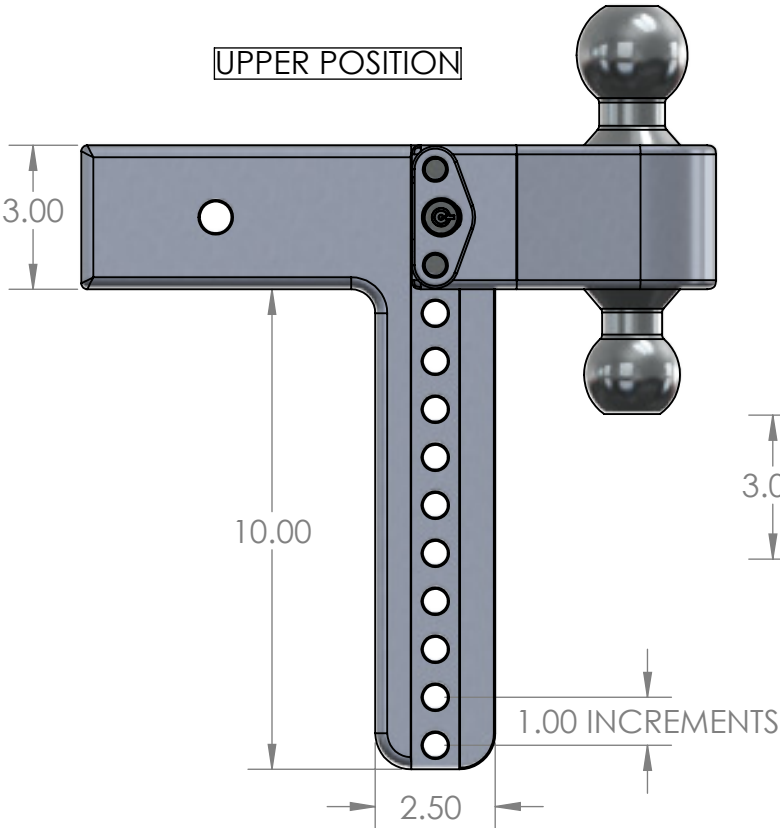
LOWER POSITION



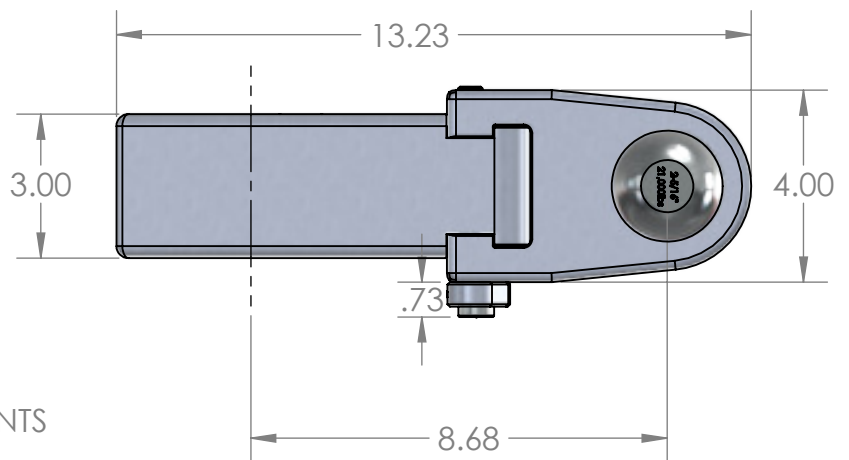
RISE POSITION



UPPER POSITION



TOP VIEW



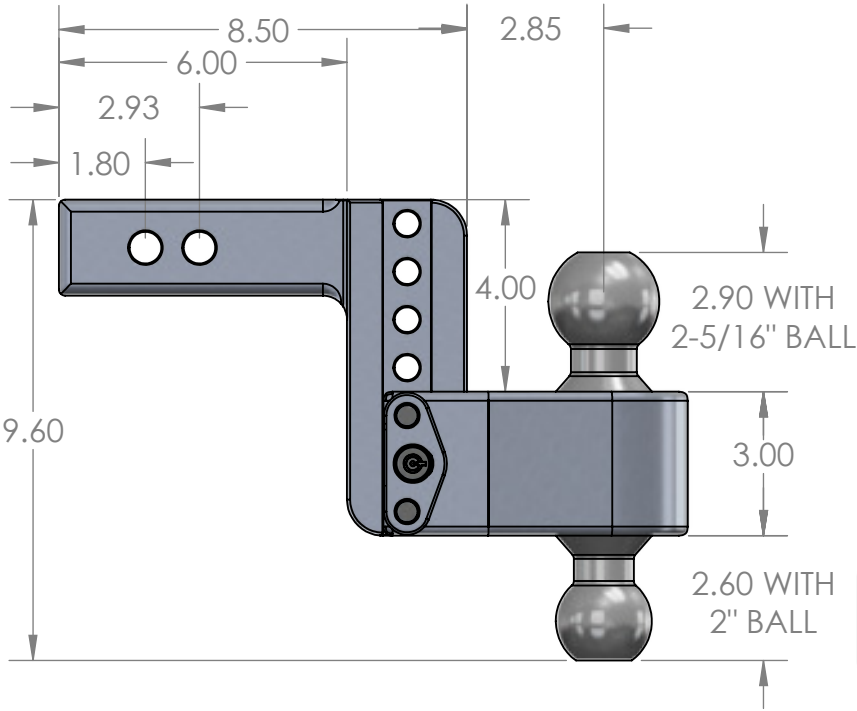


# WEIGH SAFE, LLC

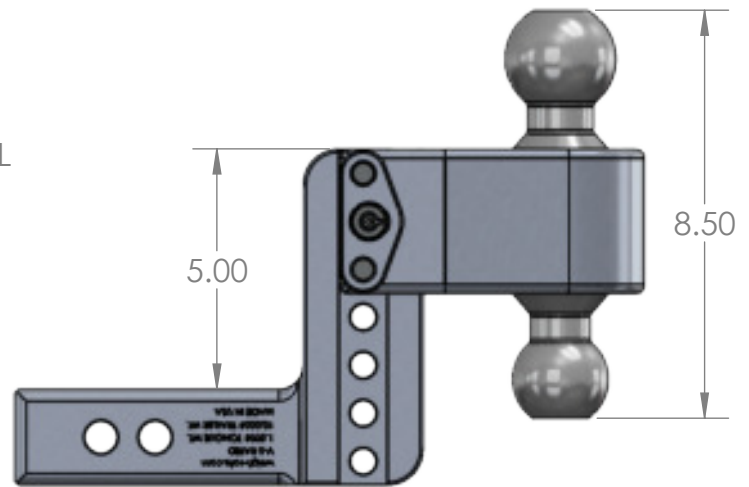
## LTB 4X2 HITCH

NOTE: FOR ALL HITCH MANUFACTURERES, THE 'DROP' IS MEASURED FROM THE TOP OF THE RECIEVER BAR TO THE TOP OF THE BALL HOUSING

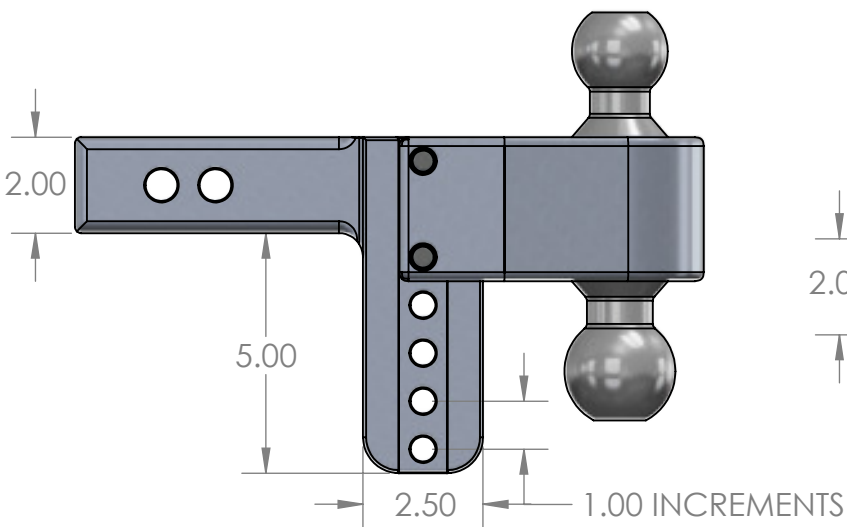
LOWER POSITION



RISE POSITION



UPPER POSITION



TOP VIEW

