



MEMBER
ABYC
Setting Standards for Safer Boating

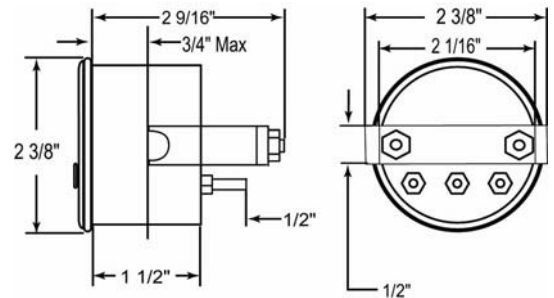
BP500 series Audible Alarm with Mute



Captains and crew want the ability to mute an audible alarm system. The concern, however, is the mute feature will accidentally be left on or forgotten, rendering the audible alarm in-active and pointless. The BP500 with Intelli-mute is the answer. By constant monitoring of the alarm, Intelli-Mute eliminates the possibility of accidentally activating the mute feature and/or forgetting the alarm has been muted. Once the Mute button is pressed, Intelli-Mute first silences the audible alarm, leaving the backlit button flashing as a visual reminder of the alarm condition. If after 5 minutes, the alarm is still muted, Intelli-Mute turns off the mute feature. The audible alarm then reactivates, warning that an alarm condition is still present and needs to be resolved. The only way to turn off the BP500 is to resolve the alarm condition. Once done, whether the mute feature is enabled or not, Intelli-Mute resets the control back to the default ready mode.

FEATURES & BENEFITS

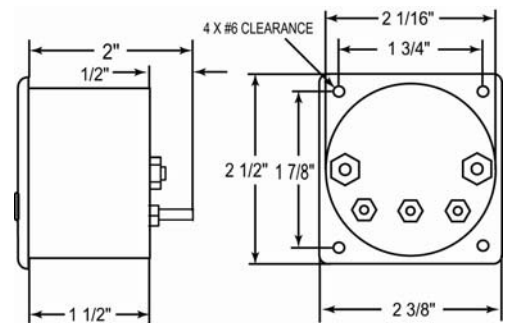
- *Microprocessor controlled*
- *No moving parts –no wear*
- *Both visual & audible alarms*
- *Built with Intelli-mute –intelligence at the mute button*
- *Can temporarily silence alarm with Mute feature*
- *Meets Coast Guard regulations [182.530]*
- *If muted too long, Intelli-mute reactivates the alarm*
- *Exceeds both the United States Coast Guard and U.L. Standards*



BP500 RD (round)

SPECIFICATIONS

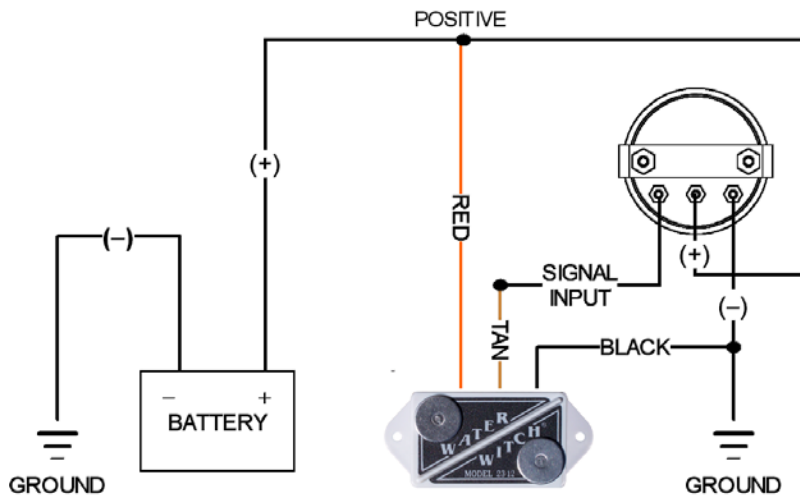
Power Required:	12Vdc (BP500) 24Vdc (BP500-24)
Power used at rest:	.006 amps.
Power used at alarm:	.062 amps.
Delay on:	instantaneous
Delay off:	instantaneous
Weight:	5.75 ounces
Square:	2.375" W x 2.5" H x 2" D
Round:	2.375" Diameter x 2.56" Deep



BP500 SQ (square)

Installation / Wiring Instructions

1. Disconnect the battery.
2. The BP500 requires a 2 1/16" (53 mm) mounting hole with a maximum dash / bulkhead thickness of .75" (19mm) and a depth of approx. 3 inch.
3. Select a mounting location for the BP500 which is easy to see and clear of obstructions.
4. Cut the opening, de-burr the hole and check that the BP500 will properly fit. **DO NOT FORCE INTO HOLE.**
5. Follow the BP500 wiring schematic as illustrated in the diagram below.
6. From the center terminal: connect post to the positive side of the battery.
7. From the signal input terminal: connect post to the tan wire from the high water sensor OR the positive wire from the device being monitored.
8. From the negative terminal: connect post to ground.
9. Place BP500 in hole at the desired position and tighten until flush & secure.
10. Reconnect the battery.



BP500SQW- Square white



BP500SQB - Square Black



BP500RDW - Round White



BP500RDB - Round Black

Operating Instructions

- When power is applied, the alarm will sound three pulses with both the mute & test buttons flashing simultaneously indicating the unit is functional.
- Once an alert condition occurs, the BP500 activates the pulsing audible alarm; it will continue to sound as long as an alarm condition is present.
- Pressing the MUTE button will silence the audible alarm leaving the button flashing as a visual reminder that there is still an alarm condition active.
- If after 5 minutes of being muted, the alarm condition still exists, the BP500 will un-mute and resume sounding the audible alarm.
- Once the alarm condition is resolved, the BP500 automatically resets to its ready mode (armed and un-muted).
- The TEST button allows a quick check of the BP500's audible output and visual flash mode buttons.
- Pressing the TEST button during an active alarm mode will not affect the alarm condition. Resolving the alarm condition is the only way to reset the BP500.

PURCHASE INFORMATION

Model #	Size	Color	Bezel	Voltage	Warranty
BP500RD	2 3/8" Diameter x 2 5/8" Deep	Black or White	Black or White Plastic	12Vdc	2 years
BP500SQ	2 3/8" W x 2.5" H x 2" D	_____	_____	12Vdc	_____
BP500-24RD	2 3/8" Diameter x 2 5/8" Deep	_____	_____	24Vdc	_____
BP500-24SQ	2 3/8" W x 2.5" H x 2" D	_____	_____	24Vdc	_____