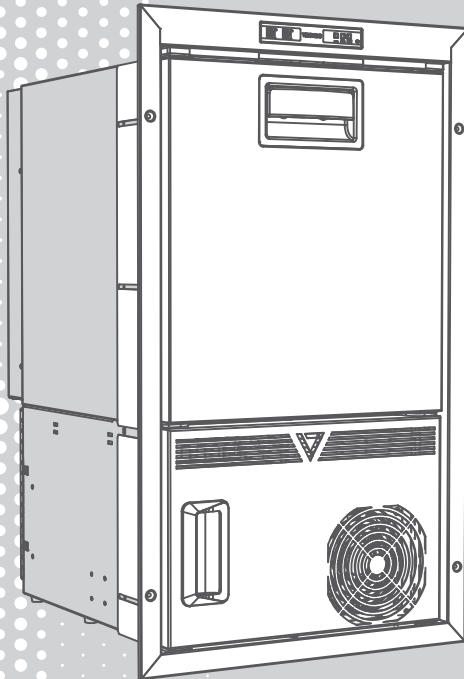


ENG

VITRIFRIGO

COOL AND BEYOND

INSTRUCTION MANUAL
**ICE MAKER
OCX2**



THANK YOU FOR PURCHASING A VITRIFRIGO PRODUCT



Index

1. INTRODUCTION	18
2. GENERAL WARNINGS	18
Destination of the product	19
Receipt	19
Installation	19
Maintenance and safety (all models)	20
Disposal	21
3. PURPOSE OF THE MANUAL	21
Identification of the manufacturer	21
4. DESCRIPTION OF THE APPLIANCE	21
5. INSTALLATION	23
Recessed appliance, with ventilated condenser (IM-CL and IM-XT)	23
Appliance recess, with ventilated remote motor	24
Profile adjustment for Total/Partial recess	24
Fixing the appliance	25
6. ELECTRICAL CONNECTION	25
7. START-UP	26
Control panel	26
"Refill" model start-up	27
"Hydro" model start-up	27
8. USING THE ICE MAKER	27
Ice production mode	28
Freezer mode	29
9. ICE MAKER INACTIVITY	29
10. CLEANING THE ICE MAKER	30
11. WHAT TO DO IF THE REFRIGERATOR DOES NOT WORK	30
ATTACHMENTS	72

1. INTRODUCTION

Dear client: Thank you for choosing one of our products.

Vitrifrigo hopes that you will be completely satisfied with your purchase.

This manual is considered an integral part of the refrigerator and must follow the sales path to the user. The same can be consulted at the Vitrifrigo website www.vitrifrigo.com.

Each refrigerator, before being shipped, is thoroughly checked and tested to ensure it operates correctly.

For further information or for any clarification, please contact one of our service centres or any of our offices directly.

Vitri Alceste

Models

IM XR	IM XT	IM CL
-------	-------	-------

2. GENERAL WARNINGS

- This manual refers to models from the IM series.
- For a complete list of models and their dimensions, refer to Annex 1.
- Read this manual carefully before using the refrigerator.

ATTENTION Keep ventilation openings in the appliance's casing or in the recess free from obstruction.

ATTENTION Do not use mechanical devices or other means other than those recommended by the manufacturer to accelerate the defrosting process.

ATTENTION Do not damage the refrigerant circuit.

ATTENTION Do not use electrical appliances or devices inside the food storage compartments if these appliances or devices are not of the type recommended by the manufacturer.

Destination of the product:

- This appliance is designed for use in applications on pleasure boats.
- If this appliance replaces an old one, it is advisable to make any lock useless before scrapping it.
- This appliance may only be used with recessed installation.
- Respect the indications of the legend on the cover (letters I / L in the model code) for the correct installation of the appliance.

- Follow the installation instructions given in this manual carefully.
- It is absolutely forbidden to use the appliance for uses other than those intended.
- This appliance is not designed for direct contact with food.
- The appliance may be used by children aged 8 and older and by people with reduced physical, sensory or mental abilities, and by people lacking experience or the necessary knowledge, provided that use is supervised or done after suitable instruction has been given regarding the safe use of the appliance and once there is an understanding of the danger inherent in the product and its use.
- Children must not play with the appliance.
- Cleaning and maintenance by the user must not be done by children without the proper supervision.

Receipt

- Installation of the ice maker must only be performed by qualified personnel
- Check that the packaging is intact. If not, report it to the courier.
- Remove the appliance from the packaging, operating with utmost caution; to avoid accidental injuries, the use of protective gloves is recommended.
- Check that the product has not been damaged.
- Any damage must be reported to the reseller within 24 hours of taking delivery of the appliance.

Installation

- Install the product, taking the utmost care and caution to avoid accidentally damaging the product. Use protective gloves.
- Before connecting the ice maker, check that the network voltage corresponds with that displayed on the appliance's identification label or with that indicated on the label on the compressor.
- Following installation, check that the appliance does not rest on the power supply cable.
- If the power supply cable is damaged it must immediately be replaced by the technical assistance service or by qualified personnel.
- Position the appliance away from heat sources ensuring sufficient ventilation
- We recommend that you wait at least one hour before switching the refrigerator on, in order to allow the refrigeration circuit to be completely efficient.
- We recommend leaving sufficient space to be able to disconnect the appliance from the power supply, should the need arise.
- The IM series ice makers are to be used with recessed installation

ATTENTION To avoid any hazard caused by the appliance being unstable, it must be fixed according to the instructions.

Maintenance and safety (all models)

- Maintenance of the appliance must only be performed by qualified personnel.
- Before carrying out any maintenance or cleaning operation, disconnect the power plug.
- Keep ventilation openings free from obstructions.
- Contact a suitably qualified person to clean the ventilated condenser.
- Always carry out the inspections, checks, and scheduled maintenance described in this manual.
- Do not attempt to disassemble, modify or repair the appliance.
- For any operational problems contact the Vitrifrigo Service Centre closest to you; in any case, request the assistance of a suitably qualified person.
- Do not store explosive substances in this appliance such as aerosol cans with flammable propellant.
- The appliance must not be cleaned with a jet of water.
- The environment in which the appliance is installed must be adequately ventilated if possible.
- If the environment, in which an appliance containing a flammable refrigerant is used, is not ventilated, the environment must ensure that, should any gas leak, it cannot reach a concentration such as to cause a fire or explosion as a result of a heat source (electric heating appliances or similar).

Disposal

- Do not throw the packaging used for your appliance away. Separate the materials according to local waste disposal regulations.
- This product must not be disposed of with municipal waste but must be disposed of separately.
- Contact your nearest Waste Electrical and Electronic Equipment (WEEE) collection centre or take it to a retailer when purchasing a new, equivalent appliance.
- The symbol to the side indicates that the refrigerator must not be disposed of as urban waste.



- Improper disposal or incorrect use of the refrigerator is subject to administrative and/or penalties imposed by current legislation.

3. PURPOSE OF THE MANUAL

This manual, relating to the IM series ice makers is intended to provide a guide for its correct use and maintenance.

In order to learn about the operation and use of the machine, it is necessary to read this manual carefully. In this manual the operations related to the following are provided: installation, operation, maintenance.

The refrigerator has been manufactured to comply with all the safety requirements given by legislation and regulations. Nevertheless, the user's utmost safety depends on carefully reading this manual and on regular and careful cleaning and maintenance.

Some information or diagrams in this manual may show details or particular aspects that might differ slightly from the product that you have purchased.

The essential information, however, remains the same. Depending on the constant improvement of models, this product may show variations that are not covered in this manual.

Any modifications will appear, depending on the need, in future versions of the manual.

Manufacturer identification

The ice maker is designed and produced exclusively at:

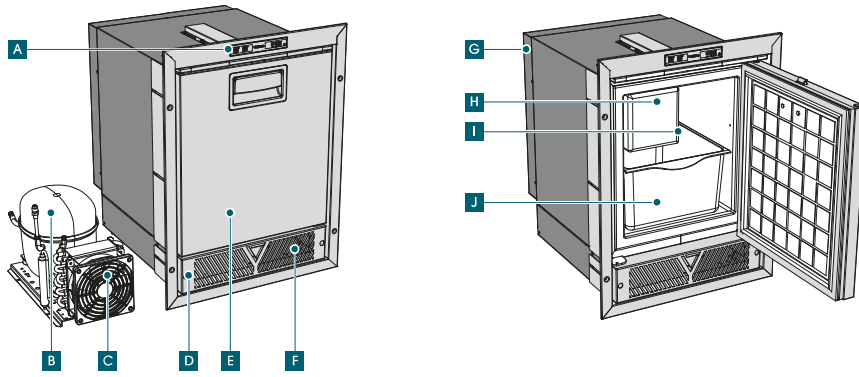
Vitrifrigo s.r.l.

Via Mazzini 75 - fraz. Montecchio - 61022 VALLEFOGLIA(PU) - Italia
tel. +39 0721 154500 - fax. +39 0721 497739
e-mail info@vitrifrigo.com - www.vitrifrigo.com

4. DESCRIPTION OF THE APPLIANCE

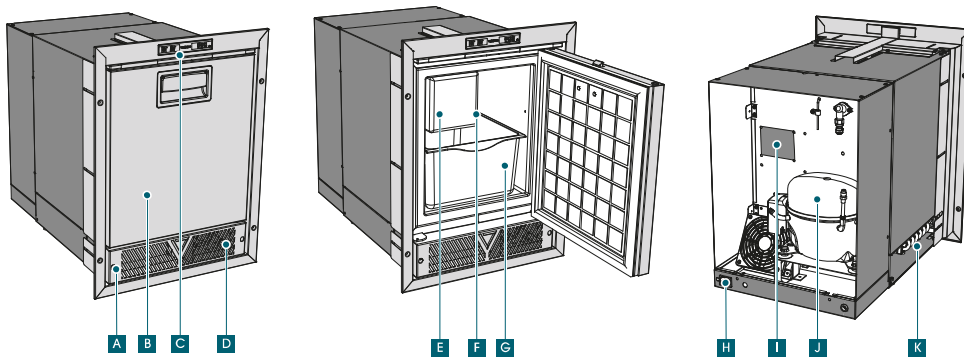
The label stating the serial number and technical data is positioned inside the ice maker in the upper right hand side. The first six digits of the serial number identify the year and week of manufacture.

• **IM XR**



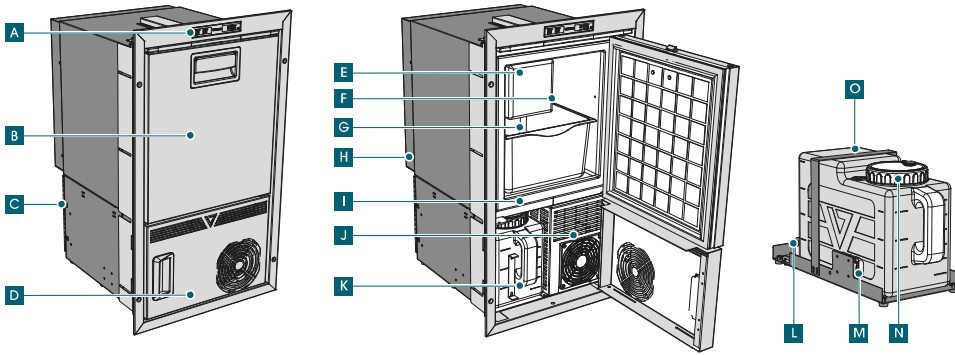
A) Control panel	F) Solenoid valve
B) Refrigeration system	G) Electronic board
C) Condenser	H) Ice cube tray
D) Mask	I) Ice level detector
E) Front door	J) Ice collector tray

• **IM XT**



A) Mask	G) Ice collector tray
B) Front door	H) Power connector
C) Control panel	I) Electronic board
D) Solenoid valve	J) Refrigeration system
E) Ice cube tray	K) Condenser
F) Ice level detector	

• **IM CL**



A) Control panel	I) Refrigeration system
B) Front door	J) Condenser
C) Motor protection grille	K) Tank (only refill)
D) Front flap/Mask	L) Pump (only refill)
E) Ice cube tray	M) Level sensor (only refill)
F) Ice level detector	N) Tank cap
G) Ice collector tray	O) Water pipe connection
H) Electronic board	

5. INSTALLATION

Check that the appliance is not damaged. Any transportation damage must be reported promptly to the reseller and, in any case, within 24 hours of taking delivery of the appliance. Handle the product with the utmost care and attention. Always place the ice maker on a horizontal surface. The appliance must be positioned in a dry place away from heat sources, ensuring sufficient ventilation.

Recessed appliance, with ventilated condenser (IM-CL and IM-XT)

The dimensions of the front opening that are required for installation of the appliance must respect the dimensions of the machine (Annex 1).

The recess must respect the minimum distances between the appliance and the surrounding structure and have adequate ventilation openings communicating directly in the free environment of the room, to obtain the correct air circulation through forced ventilation, as shown in Annex 2.

The recess must ensure that all possible live parts of the appliance are not directly accessible as well as the ventilation openings, by fitting them with suitable grilles. The grilles must have apertures with max. dimension of 5 mm.

The ventilation openings to be provided for the IM-CL version are:

- In the lower rear part at the motor protection grille, with a size not less than 250mm (for the height) and for the size of the refrigerator (for the width); in the upper rear/top not less than 50mm (for the height) and for the size of the refrigerator (for the width), see fig.1a. The front of the front cover must remain completely free.
- For recess situations with surfaces in contact with the upper and lower parts of the appliance, make the ventilation openings at the top and bottom of the appliance as indicated in (Annex 2, CL)

The minimum distances between the various parts of the appliance and the recess a structure must not be less than 75mm.

The ventilation openings to be provided for the IM-XT version are:

- The front of the front cover must remain completely free due to the presence of both the air inlet and outlet. (Annex 2, XT)

Appliance recess, with ventilated remote motor

The size of the front opening to be prepared for the recess for the appliance must respect the dimensions of the refrigerator (Annex 1).

The recess must respect the minimum distances between the remote motor and the surrounding structure and have suitable ventilation apertures communicating directly with the free area of the premises, in order to obtain the correct circulation of the air via forced ventilation.

The recess must ensure that all possible live parts of the appliance are not directly accessible as well as the ventilation openings, by fitting them with suitable grilles.

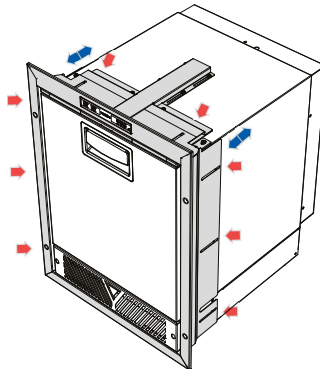
The grilles must have apertures with max. dimension of 5 mm.

The ventilation apertures must have dimensions no smaller than 200x200mm and must be positioned on both side.

The minimum distance of the remote motor and the recess structure must not be less than 75 mm (Annex 2, XR).

Profile adjustment for Total/Partial recess

To position the profile in total or partial recess, partially loosen the screws of the profile, sliding it flush with the door or the casing and tighten the screws in the pre-holes already present in the casing.



Fixing the appliance

To secure the appliance in the built-in space, use only the holes in the relevant fastening profile (Annex 3).

6. ELECTRICAL CONNECTION

ATTENTION The operator must be able to disconnect the appliance from the mains electricity.

Therefore, make sure that there is an access point to the power supply network near the appliance and/or that the system is equipped with an omnipolar differential magnetothermic switch, 6A type AC sensitivity 30 mA, with minimum 3mm contact opening.

Before connecting the product, make sure that the voltage corresponds to that shown on the identification label or that shown on the label on the compressor.

ATTENTION by law, the appliance must be earthed. Make sure that the earthing system for the electrical network is working perfectly.

We accept no responsibility whatsoever for any injury to people or damage to property deriving from the failure to properly comply with this regulation.

The use of adaptors, multiple sockets and extension cords is not recommended.

In the event that the appliance's plug and the socket are not compatible, replace the plug with a suitable one. This operation must be done by a suitably qualified person who must ensure that the cable section of the plug is appropriate to the power absorbed by the appliance. Do not interconnect any other type of appliance to the ice maker.

7. START-UP

Upon installation, the Ice Maker performs an initial vacuum cycle and subsequent cycles with ice production. The first cubes are dispensed after approximately 1 hour.

Control panel



A	Start	D	Indicator light 2
B	Production	E	Indicator light 3
C	Indicator light 1		

“REFILL” Model start-up

Start the machine by keeping the start button A pressed for a few seconds. Open the hatch and remove the tank, unscrew the cap on the top of the tank and pour drinking water through the filler into the tank (min.2 litres/max.7 litres). In order to completely disconnect the tank from the machine, disengage the water syphon tube by pressing the release ring on the coupling and simultaneously pulling the tube upwards. Upon insertion of the tank, the green light E will come on. If the red light C remains on, it means that there is insufficient water.

ATTENTION

- **Fill the tank using only drinking water.**
- **In the versions with remote tank, do not place the tank above the water level of the ice cube tray**

“HYDRO” Model start-up

Connect the flexible hose provided on the solenoid valve through the appropriate threaded union, to the water supply.

The appliance is intended for operation with water pressure of between 1 and 3 bar. Make sure that the water network supplies drinking water and that the pressure is such as to obtain correct ice production for each discharge cycle (on 100g for 12 cubes, optimal pressure 2 bar).

The use of a tap on the water line is recommended. Start the machine by keeping the start button A pressed for a few seconds.

8. USING THE ICE MAKER

The ice maker has two operating modes:

- **Ice production** mode in which the ice maker produces crescents of ice
- **FREEZER** mode in which the ice maker does not produce crescents of ice but can be used as a freezer.

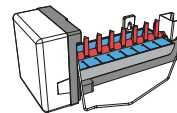
Ice production mode

During the production of ice, the “production B” command must be active (LED on).

The production cycle proceeds as follows:

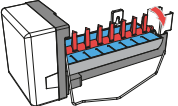
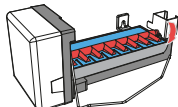
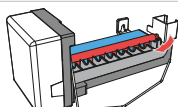
PRODUCTION

The base of the ice cube tray is filled with water through a water supply or tank.



When the pre-set temperature is reached, the cycle of ejection of the ice from the ice cube tray begins (the production+ejection cycle can last from 25 to 30 min.*).

EJECTION

1	Once at temperature, the thermostat activates the resistance and the motor.	
2	The extracting blades will press on the ice until it detaches; the resistance is always active.	
3	The blades extract the ice cubes from their seats, pouring them into the tray and refilling with new water.	

The ice production cycle continues until the ice collection tray is filled (or when the water in the tank L runs out) entering the product ice maintaining mode.

To restore ice making, simply empty the tray, (even partially).

Attention, the ice level detector sensor must be positioned downwards.

If maintaining mode is entered due to depletion of the water in the tank, the red light C will be on, fill the tank to resume ice production.

***the production times may vary from the temperatures of the external environment and of the incoming water.**

Freezer Mode

Keeping the “production B” key pressed for at least 3 seconds switches from ICE PRODUCTION mode to FREEZER mode (light off, SET MIN/MED/MAX C/D/E LED on blue.

By pressing the B key it is possible to change the FREEZER mode temperature SET from MIN to MED to MAX.

In this mode, the ice cube tray is deactivated.

9. ICE MAKER INACTIVITY

Having completed use of the ice maker, in order to best preserve its functionality and to avoid the formation of mould, proceed as follows. Turn off the ice maker and disconnect it from the electrical system. Empty the ice collection tray.

Wait for the frost inside the tray to completely melt. Thoroughly dry the internal walls of the ice maker.

Leave the door half open, using the vent-position on bracket so that an air change can

take place and so that no humidity is created inside the tray. For the REFILL versions, empty and clean the tank.

10. CLEANING THE ICE MAKER

Before starting to clean the ice maker, make sure it is not connected to the mains electricity. If connected, unplug the appliance from the electrical supply.

EXTERNAL

Wash the outside of the ice maker with lukewarm water, rinse with cold water and dry with a soft cloth. Avoid the use of abrasive products.

INTERNAL

Remove the ice collection tray and proceed with cleaning using warm water with the addition of baking soda or vinegar. Rinse and dry carefully with a soft cloth. Strictly avoid the use of abrasive products, detergents or soaps. It is advisable to clean the tank at least once every three months.

CONDENSER

It is advisable to clean the condenser at least once a year using a vacuum cleaner or a dry brush.

ATTENTION: clean the condenser operating with the utmost caution which, by its very nature, has sharp surfaces; to avoid accidental injury, it is advisable to use legally compliant protective gloves (PPE).

11. WHAT TO DO IF THE ICE MAKER DOES NOT WORK

The machine has an "ANOMALY" indicator light (red light C flashing) which comes on if more than 50 minutes elapse between one water fill and the next. In this case, perform the checks listed below.

If you do not manage to achieve regular operation after these checks, contact the customer assistance service.

Problems	Check that
The appliance does not work	it is energised
	the "STAND-BY" switch A is active and the LED is on
	the automatic circuit breaker of the electrical system is not disconnected
	the plug is efficient and correctly inserted into the socket and the power outlet works. For this verification, connect to the socket a device whose functioning is certain
	the supply cable is not interrupted
Noisy ice maker	the ice maker is on a level surface
	the ice maker is not in contact with furniture that can could cause vibrations
	the refrigerant circuit pipes located on the back have no contact points and do not vibrate against the appliance
Ice maker with insufficient production	the door closes hermetically
	the ice maker is not near heat sources
	the ice maker is sufficiently ventilated
	the condenser is not clogged with dust
	the fan turns freely
The ice maker does not make ice	the refrigeration system is in operation and produces cold
	there is water in the ice cube tray
	the water system is efficient
	there is sufficient water in the tank (Refill version)
	keys A and B are active
	the internal temperature in the cell is approximately $\leq -15^{\circ}\text{C}$
	the ice level sensor is in the position
	if there is water in the ice cube tray, check the functionality of the refrigerant system
	there is no cube stuck in the ice cube tray
The ice maker does not dispense ice	there is ice in the ice cube tray. If there is, reset the system by switching it off for ~4/5 hours.