

# TORQUEEDO

## Cruise Outboards

The ultimate power packs for sailing or motorboats.

- + Minimum weight with maximum performance
- + Onboard computer with GPS
- + Durable and extremely robust design
- + Effective corrosion protection for fresh and salt water
- + Extended range thanks to very high energy density batteries

Motorboats / Dinghies / Sailboats / Water taxis / Passenger ferries and commercial applications up to 12 tons



### The new way to Cruise

Since their premiere in 2006, Cruise motors have been the electric outboard motor of choice for motorboats, dinghies and commercial users. New for 2022, the whole line is more powerful and even easier to use. All Cruise systems have a built-in GPS with onboard computer and display with speed and input power, state of charge and remaining range.

Cruise 3.0 is a 24 V, 6 HP-equivalent outboard perfect for boats up to 3 tons. With a single Power 24-3500

lithium battery, this lightweight and budget-friendly e-drive gives you up to one hour of full-throttle runtime and runs all day at slower speeds. Need more range or speed? You can add up to 16 Power 24-3500 batteries for more energy storage. Choose from remote-steered with a standard topmount throttle (1918-00) or a tiller model.

The new Cruise 6.0 R and 12.0 R are 48 V systems powered by Torqueedo's Power 48-5000 lithium batteries.

These powerful drives and batteries ship with Torqueedo's advanced communication system, TorqLink, which allows faster and more accurate data sharing between system components. You can choose from either remote steering or tiller-equipped Cruise 6.0 outboards, which are 9.9 HP-equivalents for boats up to 6 tons. Cruise 12.0 is a 25 HP-equivalent outboard with remote steering for boats up to 12 tons. Cruise 6.0 R and 12.0 are compatible with a wide variety of TorqLink throttles.



New for  
**2022**

CRUISE 3.0 T/R



New for  
**2022**

CRUISE 6.0 T/R\*



New for  
**2022**

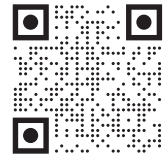
CRUISE 12.0 R

\* also available without TorqLink for Power 24-3500 integration

TECHNICAL DATA	CRUISE 3.0 T/R	CRUISE 6.0 T/R	CRUISE 12.0 R
Input power in W	3,000	6,000	12,000
Propulsive power in W	1,530	3,504	6,720
Comparable petrol outboard (shaft power)	6 HP	9.9 HP	25 HP
Comparable petrol outboard (thrust)	8 HP	15 HP	25 HP
Maximum overall efficiency in %	51	58	56
Static thrust in lbs*	142	230	405
Nominal voltage in V	24	48	48
Total weight in kg	T: 19.7 (S) / 20.2 (L) R: 18.9 (S) / 19.4 (L)	T: 21.3 (S) / 21.8 (L) R: 20.6 (S) / 21.0 (L)	59.8 (S) / 61.3 (L) / 62.5 (XL)
Shaft length in cm	62.5 (S) / 75.5 (L)	62.5 (S) / 75.5 (L)	38.5 (S) / 51.2 (L) / 63.9 (XL)

\* To compare Torqeedo static thrust data with conventional trolling motors, add approximately 50% to the Torqeedo static thrust values.

Scan me



### Let's do this

Ready to build the perfect Cruise drive system for your boat? Visit our online Cruise configurator, make your motor, battery, throttle and charging selections and see what it will take to make your electric dream come true.

### High performance, speed and range

Dependent on factors such as type of boat, load, propeller and ambient conditions. Figures for speed and range are indicative only and are not a guarantee of performance.

#### As tested on a small inflatable

	Cruise 6.0 R	Cruise 12.0 R
	14.0 km/h - 0:50 hr	27.0 km/h - 0:50 hr
	9.5 km/h - 3:00 hr	12.0 km/h - 3:00 hr
	7.0 km/h - 5:00 hr	7.5 km/h - 9:00 hr
	with 1 x Power 48-5000	with 2 x Power 48-5000



POWER 48-5000



POWER 24-3500

### Power play

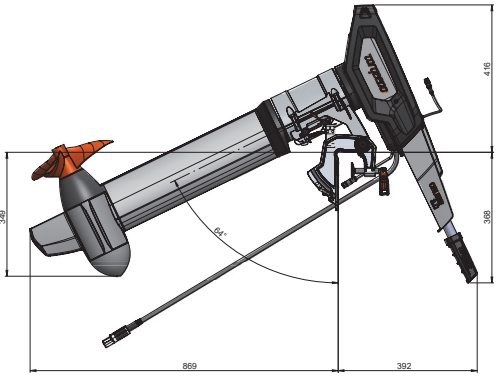
The 24 V Power 24-3500 delivers 3.5 kWh of power in just 25.3 kg for an impressive energy density of 138 Wh/kg. With the 1,700 W fast charger, you can fill up the Power 24-3500 in just under two hours, making this lithium pack perfect for the Cruise 3.0 motor or powering hotel loads on board. For boats powered by Cruise 6.0, 10.0 or 12.0 motors, choose the 48 V Power 48-5000 with TorqLink.



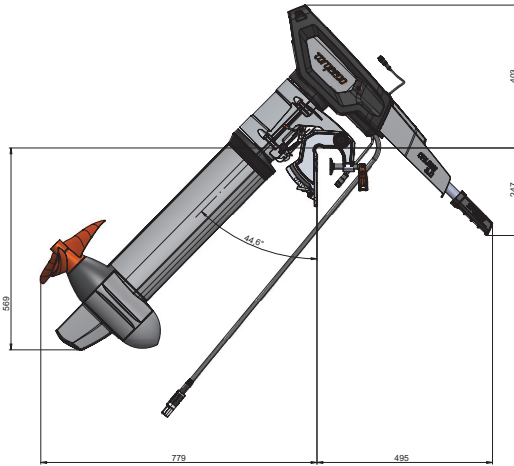
**TORQUEEDO**

Visit us on [www.torqeedo.com](http://www.torqeedo.com)

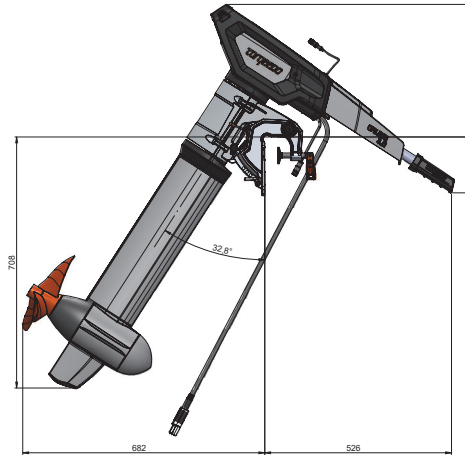
Tilt Position 4  
Tilt position 4  
Cruise 3/6 TL



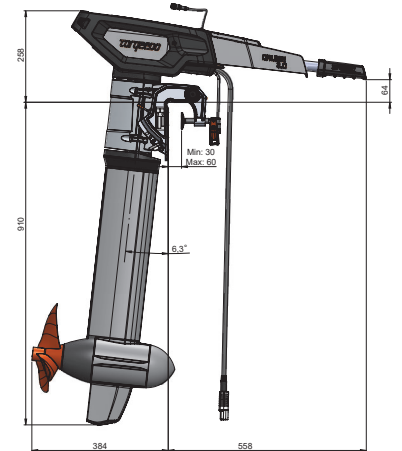
Tilt Position 3  
Tilt position 3  
Cruise 3/6 TL



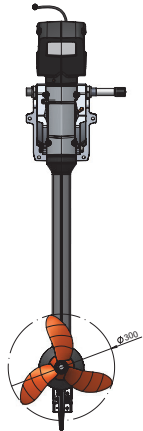
Tilt Position 2  
Tilt position 2  
Cruise 3/6 TL



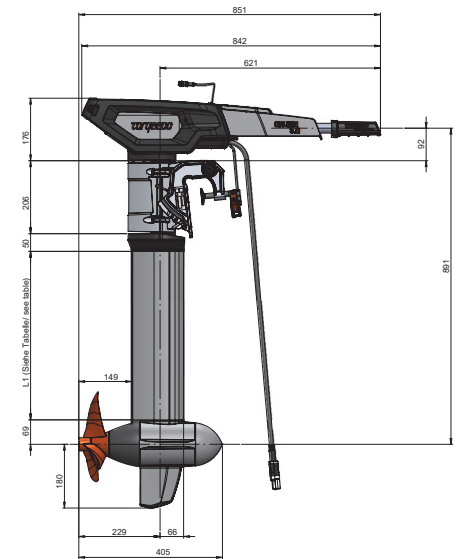
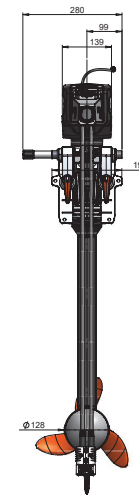
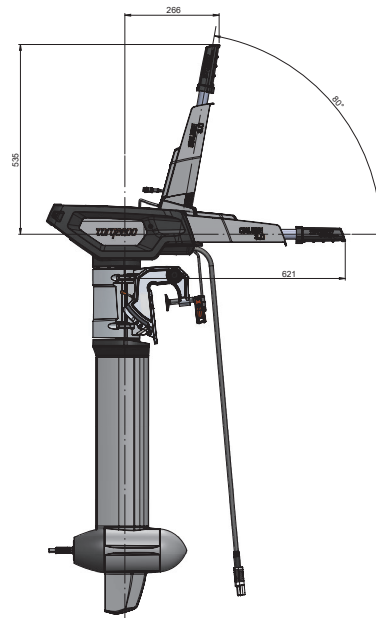
Tilt Position 1  
Tilt position 1  
Cruise 3/6 TL



Propeller B 12,5 x 17 HSP



Propeller B 12 x 10,5 WDR



Produktnummer product number	Name name	L1	frei Kabellänge Leistungskabel / free length power cable	frei Kabellänge Datenkabel / free length data cable
1264-00	Cruise 3.0 TS	355 mm	1320 mm	270 mm
1265-00	Cruise 3.0 TL	475 mm	1200 mm	150 mm
1266-00	Cruise 6.0 TS	355 mm	1320 mm	270 mm
1267-00	Cruise 6.0 TL	475 mm	1200 mm	150 mm