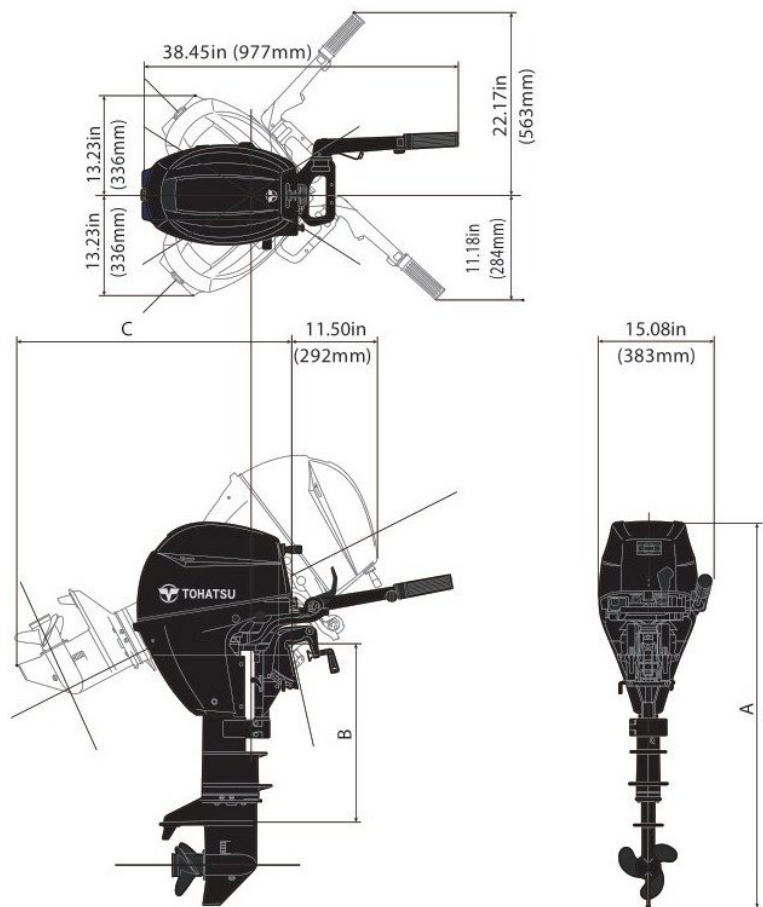


**FOUR
STROKE** **MFS9.8C**

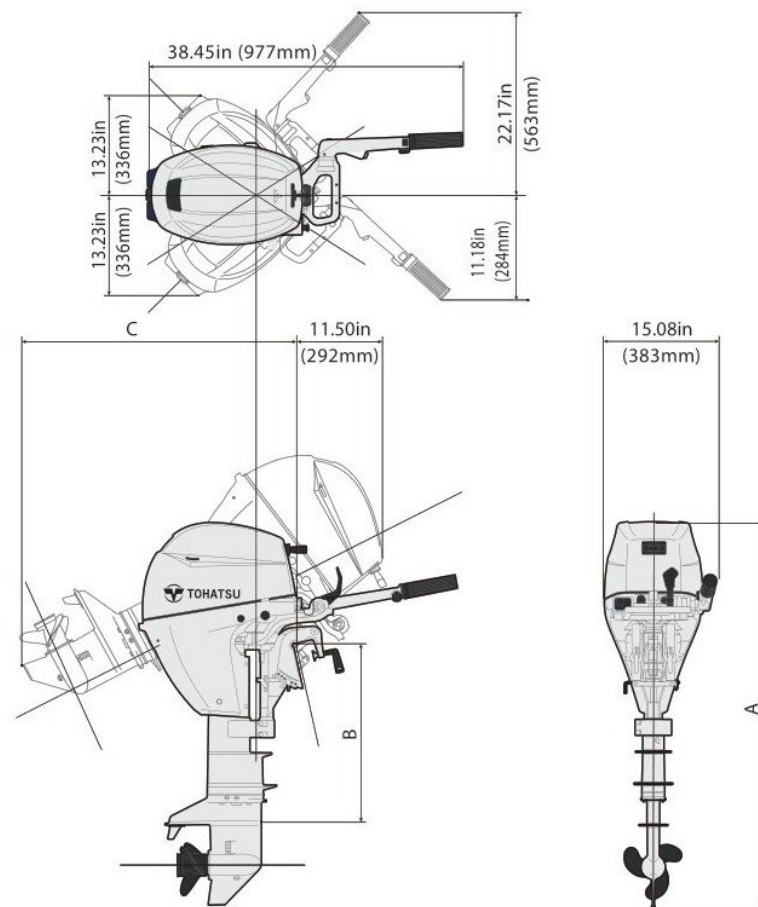


Dry Weight (lbs/kg)

Model	MF	EF	EFT	EP	EPT
Transom S:	85 (38.5)	90 (41.0)	-	90 (41.0)	-
Transom L:	87 (39.5)	93 (42.0)	107 (48.5)	93 (42.0)	105 (47.5)
Transom UL:	-	-	109 (49.5)	-	106 (48.0)

Dimensions (in/mm)

Model	A	B	C
Transom S:	41.75 (1061)	17.05 (433)	27.68 (703)
Transom L:	46.77 (1188)	22.05 (560)	32.87 (835)
Transom UL:	51.77 (1315)	27.05 (687)	38.07 (967)



Dry Weight (lbs/kg)

Model	MF	EF
Transom S:	85 (38.5)	-
Transom UL:	-	95 (43.0)

Dimensions (in/mm)

Model	A	B	C
Transom S:	41.75 (1061)	17.05 (433)	27.68 (703)
Transom UL:	51.77 (1315)	27.05 (687)	38.07 (967)