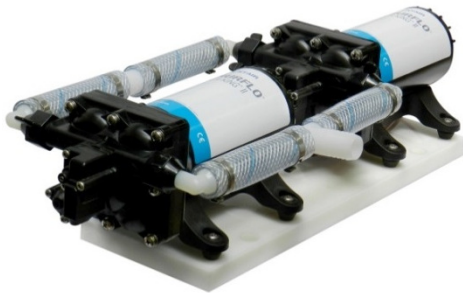




# SHURFLO HIGH FLOW SYSTEM™ II 10.0 GPM

## MARINE FRESH WATER SYSTEM – PRODUCT TECHNICAL DATA SHEET

OEM: 4558-163-E75  
 AFTERMARKET: 4558-163-E75



### APPLICATION:

Multi-fixture Marine fresh water system installation.  
 This system may be used for general fresh water transfer

### PUMP DESIGN:

Type: 4 Chamber Diaphragm pump  
 Check Valve: (1-way operation) Prevents Reverse Flow  
 Pump Ports: 1/2" -14 NPSM-Male  
 Manifold: 3/4" Barb  
 Liquid: 130°F [54°C] Max  
 Dry-Prime: 6 feet [1.82 M]  
 Run Dry: Yes  
 Inlet Pressure: 30 PSI Max. [2.06 Bar]

### ELECTRICAL:

Motor: 24V DC Permanent Magnet, Intermittent Duty.  
 Protection: Thermal Overload, Automatic Restart  
 Leads: 14 AWG, 14-3/4" [37 cm] Red +, 15" [38 cm] Black  
 Fuse: Primary pump 7.5 Amp Recommended,  
 Secondary pump 7.5 Amp Recommended,  
 Both pumps together: 15 Amps Recommended.  
 Control: Primary pump: Shut-Off 55 PSI [3.8 Bar]  
 ± 2 PSI [0.13 Bar] Re-start 40 PSI [2.8 Bar]  
 ± 2 PSI [0.13 Bar] Maximum By-Pass 65 PSI  
 [4.5 Bar] ± 2 PSI [0.13 Bar]  
 Secondary pump: Shut-Off 45 PSI  
 [3.1 Bar] ± 2 PSI [0.13 Bar] Re-start 30 PSI [2 Bar]

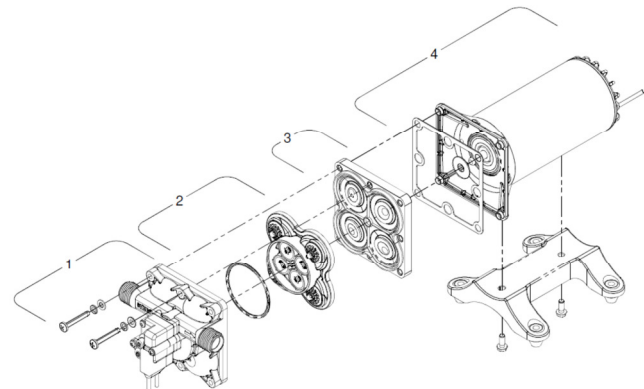
### MATERIALS OF CONSTRUCTION:

Housings: Polypro  
 Valves/Seals: EPDM  
 Diaphragm: Santoprene  
 Hardware: Stainless Steel

### AGENCY APPROVALS:

Ignition Protection 8846, CE, IMCI Certified

### REPAIR KITS



Number	4158-163-E75	4258-163-E07
*1	94-801-10	94-805-01
2	94-800-01	94-800-01
3	94-801-12	94-801-02
4	94-71-001-04	94-71-001-04
*1,2,3	94-801-13	94-805-02
Check valve (Not Shown)	94-800-03	94-800-03

\*With preset switch and by-pass adjustment (if applicable)

**SHIPPING INFORMATION:**

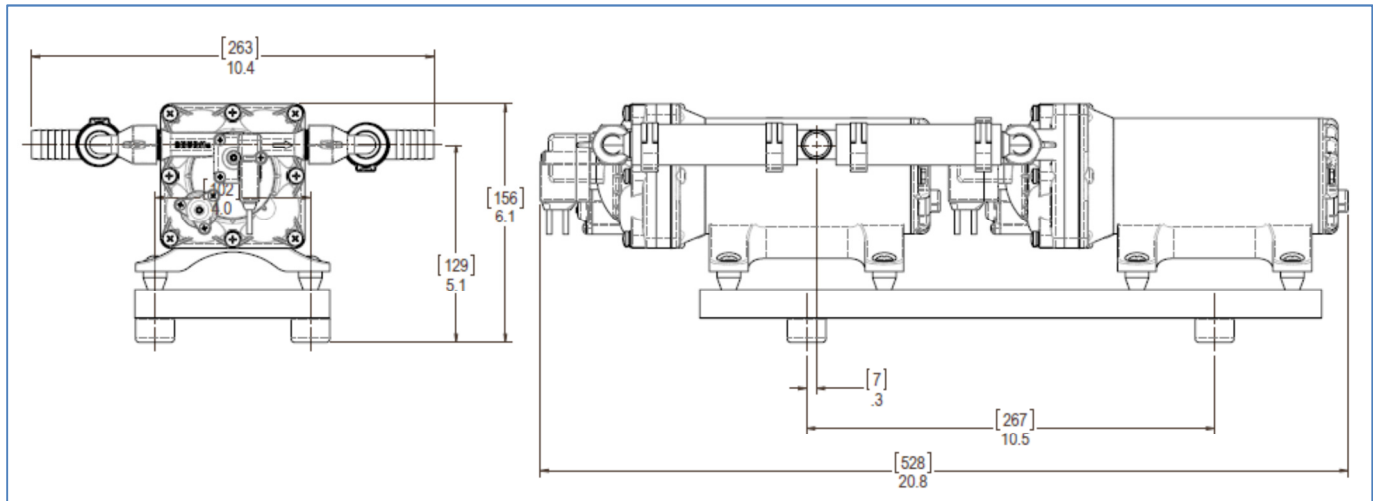
Approx. Net Weight: 20 Pounds [9.0 Kg] ea.  
Carton Qty.: 1  
Approx. Carton Size: 24”L X 18”W X 6”H [61cm x 46cm x 15cm]

**RELATED DOCUMENTS:**

Catalog: MS-030-140  
App Guide Sheet : MS-020-005  
Installation Manual: 911-1049  
Aftermarket Warranty: 911-1045

**TYPICAL PERFORMANCE AT 25.6V**

PRESSURE		FLOW		TOTAL	4158-163-E75	4258-163-E07
BAR	PSI	GPM	LPM	AMPS	AMPS	AMPS
0	0	10	37.8	5.6	2.5	3.1
0.7	10	9.0	34.0	7.2	3.2	3.9
1.4	20	7.6	28.7	8.5	3.8	4.6
2.1	30	6.4	24.2	9.7	4.3	5.3
2.8	40	5.5	20.8	10.9	4.5	6.0
3.4	50	0.8	3.0		5.5	



**WATER PURIFICATION**

3545 Harbor Gateway South, Suite 103, Costa Mesa, CA 92626, (800) 854-3218 [www.SHURFLO.com](http://www.SHURFLO.com)

All Pentair trademarks and logos are owned by Pentair, Inc. All other brand or product names are trademarks or registered marks of their respective owners. Because we are continuously improving our products and services, Pentair reserves the right to change specifications without prior notice. Pentair is an equal opportunity employer.