

APPLICATION

The SHURFLO® Standard Flow Ballast pump was specially designed for ballast tank applications in ski and wake boats, providing rapid fill and drain rates in a readily adaptable configuration. The high-efficiency, high-torque motor, in combination with a high-modulus neoprene compound impeller, provides fast priming, long life, and consistent performance.

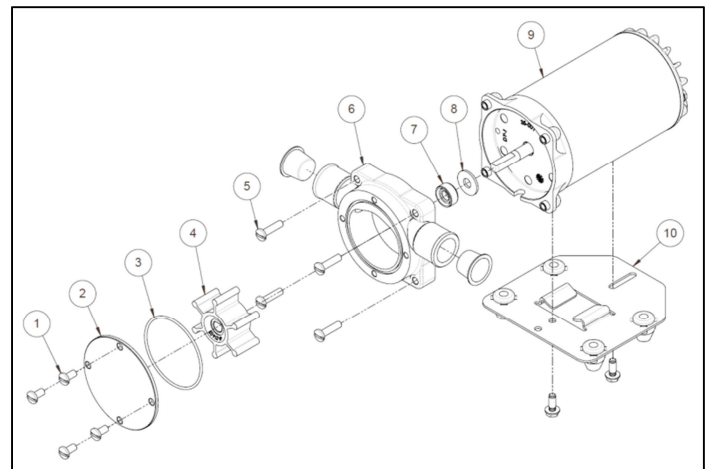


PUMP DESIGN

Type: Reversible Flexible Impeller
 Ports: ½" Internal Pipe Threads, 1" External Hose Barb
 Liquid: 200°F [93°C] Max
 Prime: 4 Feet [1.2 M]
 Run Dry: Not Recommended

ELECTRICAL

Motor: 12V DC Permanent Magnet, Intermittent Duty
 Protection: Need External Fuse (not supplied)
 Leads (Red): 14.5" [0.36M] Tinned 14 AWG
 Leads (Black): 12.5" [0.31M] Tinned 14 AWG
 Fuse: 25 Amp Fuse Recommended
 Control: No Control – External Switch required



MATERIALS OF CONSTRUCTION

Housings: Bronze
 Impeller: Neoprene
 Hardware: Brass

AGENCY APPROVALS

USCG Electrical Standards 183.410
 ISO 8846 Marine for IGNITION PROTECTION on gasoline power vessels
 CE and IMCI certification

SHIPPING INFORMATION

Approx. Net Weight: 5.7 Lbs. [2.6 Kg] each
 Carton Qty.: 6
 Approx. Carton Weight: 36.2 Lbs. [16.4 Kg]
 Approx. Carton Size: 24" L X 18" W X 6" H [61cm x 46cm x 15cm]

RELATED DOCUMENTS

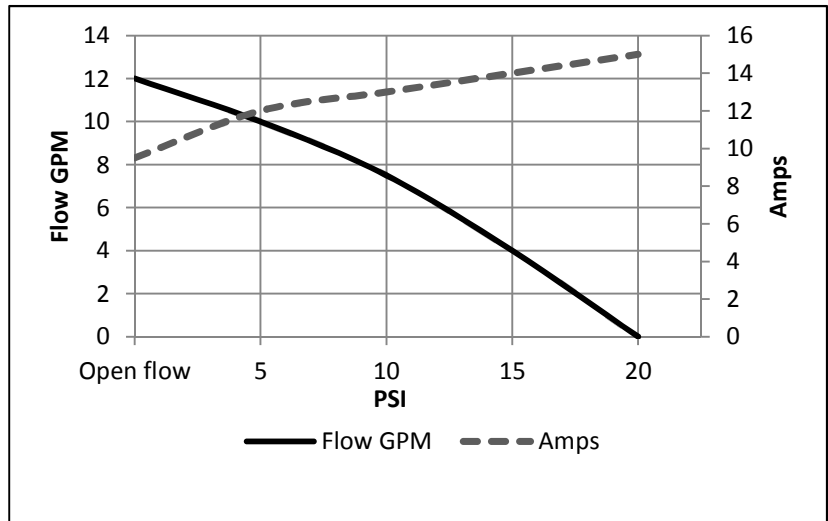
Catalog: MS-030-140
 Application Spec Guide: MS-020-005
 Installation Manual: 911-1059
 Aftermarket Warranty: 911-1045

REPAIR KITS

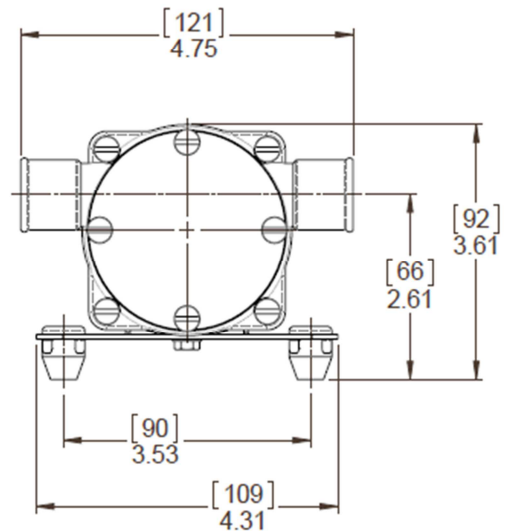
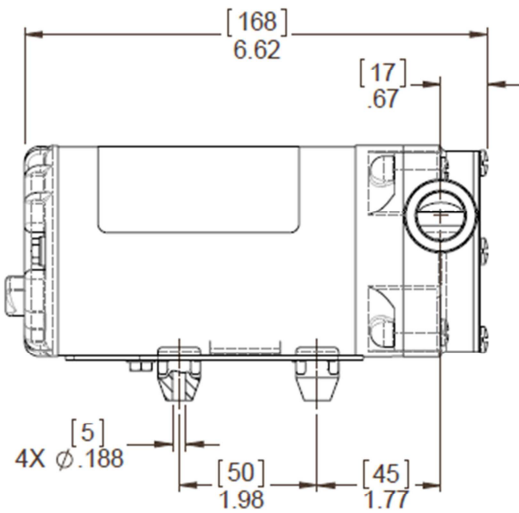
Item	Description	Part number
1,3,4,5,7,8	Service Kit	94-912-00
4	Impeller Kit	94-916-00
6	Body Kit	94-913-00
1,5	Fasteners Kit	94-914-00
9	Motor Kit	94-71-010-17

TYPICAL PERFORMANCE

PSI	GPM	LPM	AMPS
0	12	45.4	9.5
5	10	37.8	12
10	7.5	28.4	13
15	4	15.1	14
20	0	0	15



DIMENSIONS



3545 Harbor Gateway South, Suite 103, Costa Mesa, CA 92626, (800) 854-3218 www.SHURFLO.com

All Pentair trademarks and logos are owned by Pentair, Inc. All other brand or product names are trademarks or registered marks of their respective owners. Because we are continuously improving our products and services, Pentair reserves the right to change specifications without prior notice. Pentair is an equal opportunity employer.

3300-100 Rev A 2017 ©Pentair, Inc. All Rights Reserved.