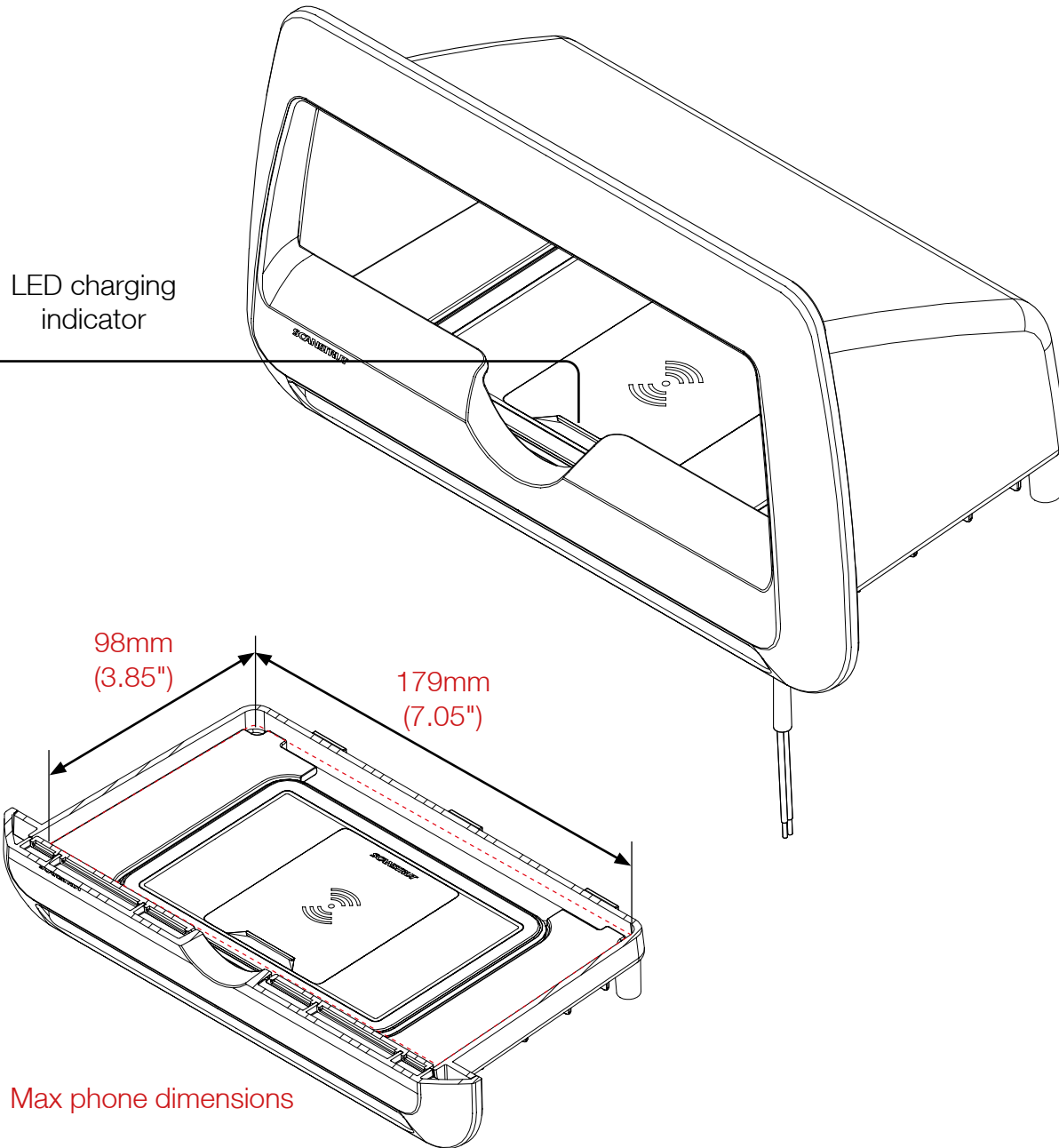


Waterproof Wireless Charger Cove 3 Coil 15W SC-CW-9GT

Email: sales@scanstrut.com

Email: usasales@scanstrut.com



Technical

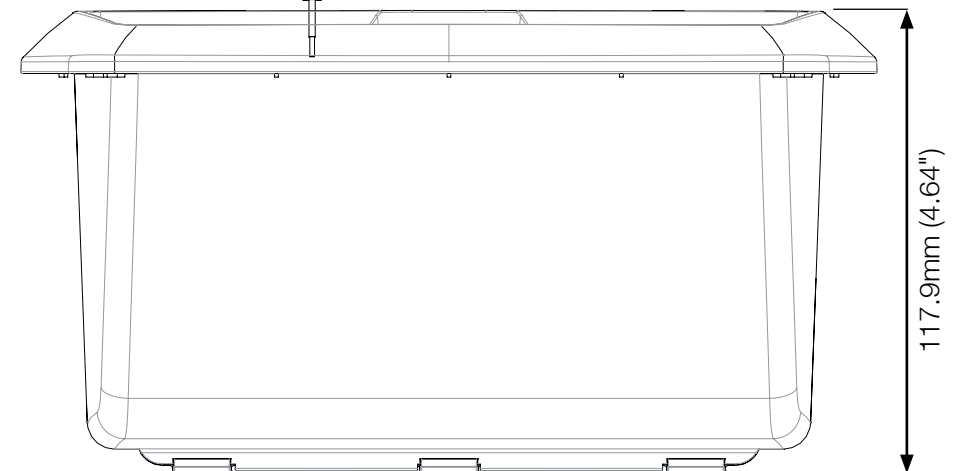
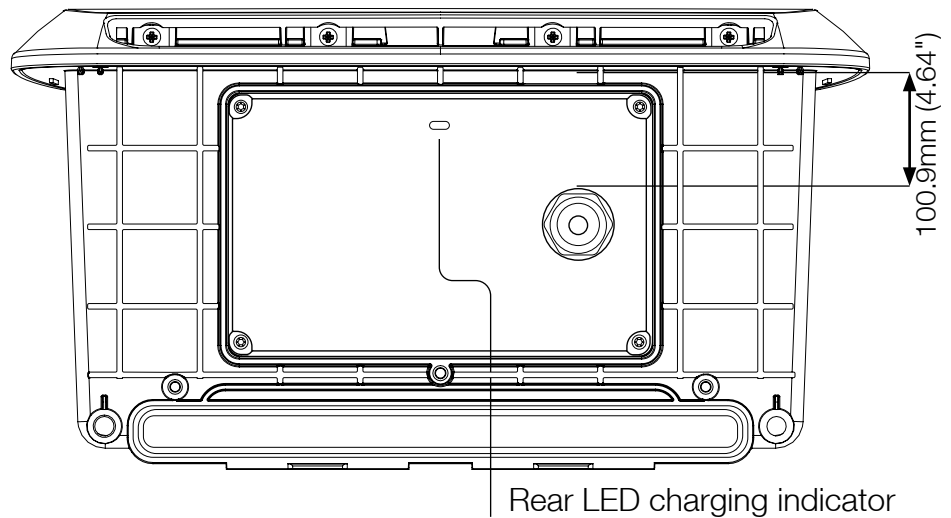
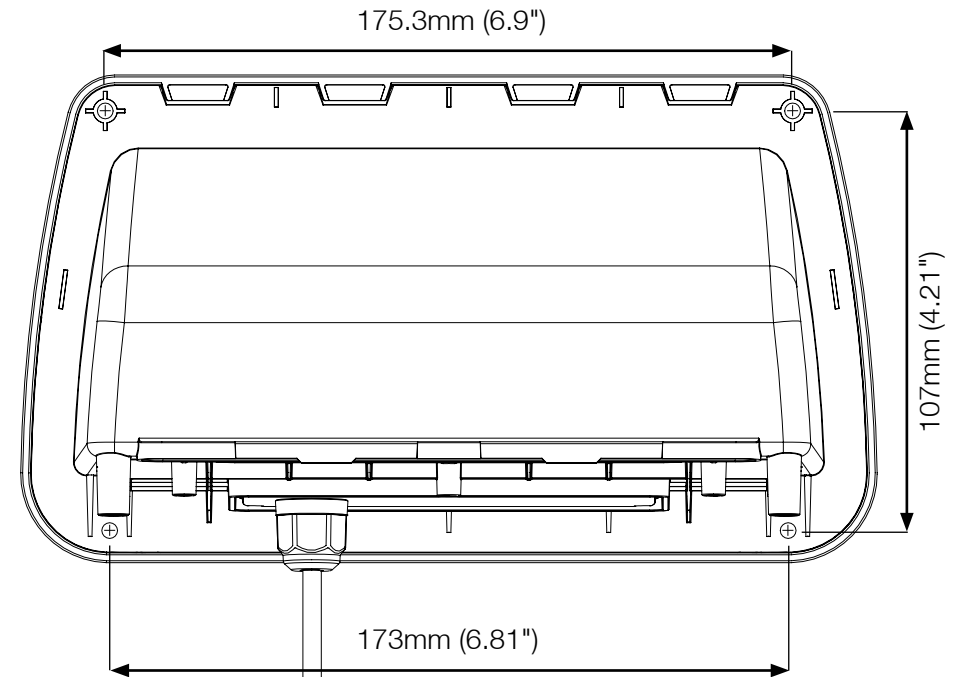
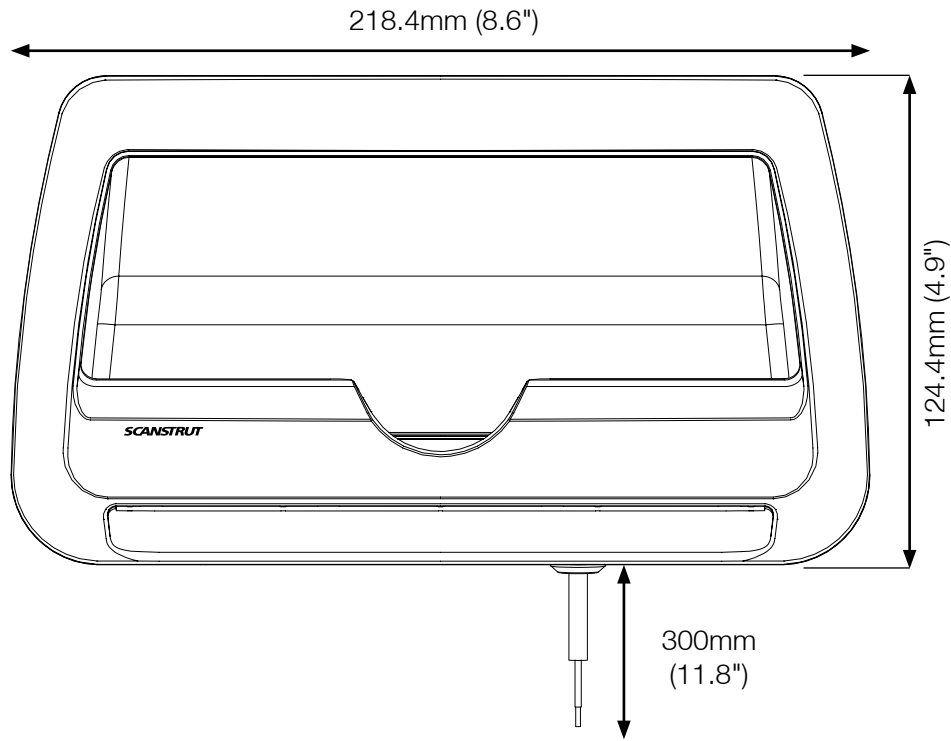
Wireless Charger

IP Waterproof Rating	IPX6 Front and back
Cable Diameter	Ø 4.7 mm (0.185")
Cable bend Radius (4xD)	18.8 mm (0.74")
Cable AWG	20 AWG
Cable Length	300mm
Input voltage	10-30V DC (12/24V System)
Input current max	2A
Output power max	15W (12V 1.25A)
Standby power max	<1.2W
Certification	CE, UKCA, FCC, ROHS, C-Tick, UN ECE R10, E24, PSE Certified

Waterproof Wireless Charger Cove 3 Coil 15W SC-CW-9GT

Email: sales@scanstrut.com

Email: usasales@scanstrut.com



SCANSTRUT

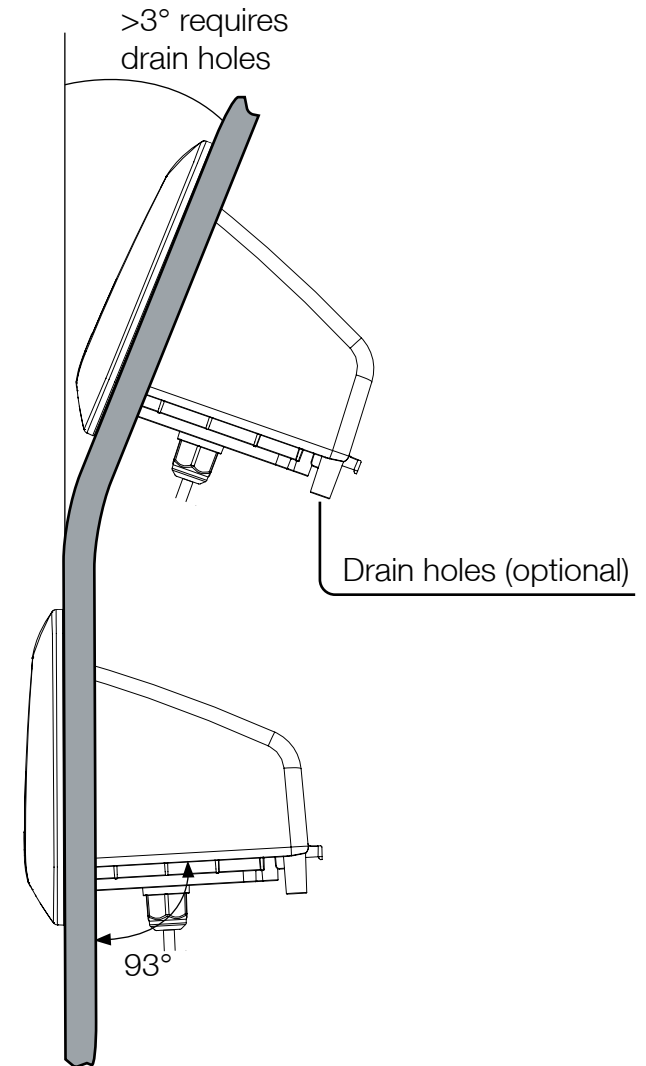
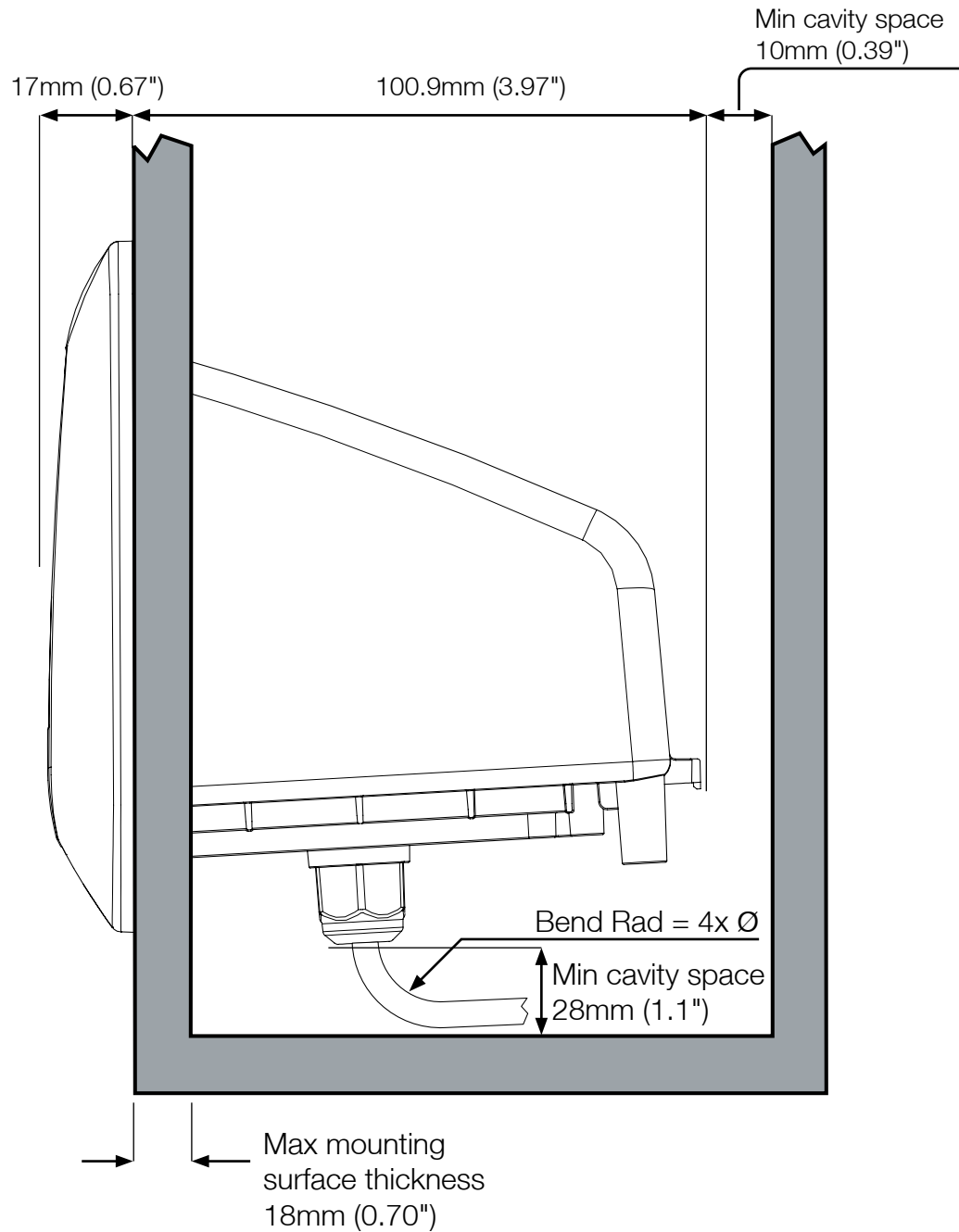
Rev A

Page | 2

Waterproof Wireless Charger Cove 3 Coil 15W SC-CW-9GT

Email: sales@scanstrut.com

Email: usasales@scanstrut.com



Recommended: Use self-drill rear drain holes when the product is installed on an angled surface beyond 3° from vertical.

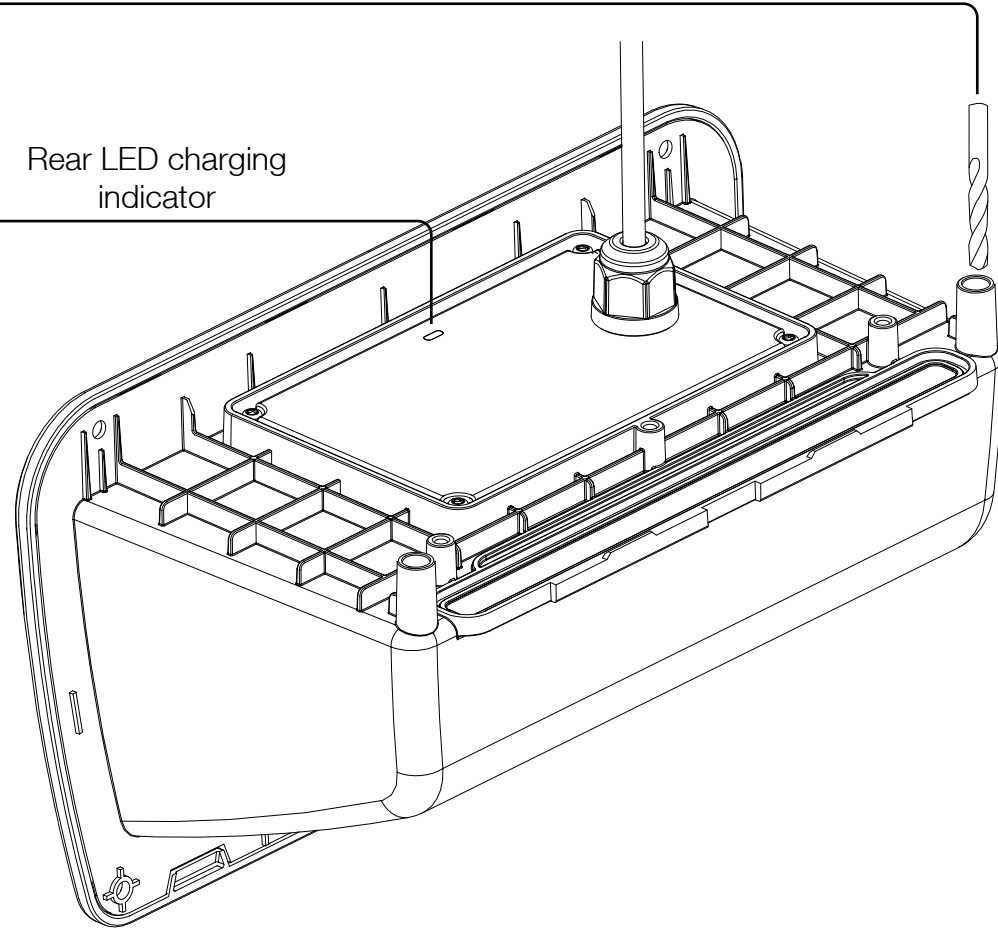
SCANSTRUT

Rev A

Page | 3

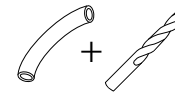
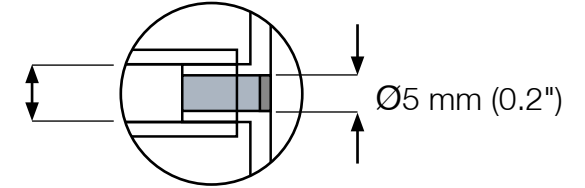
Drain holes

Rear LED charging indicator



Optional drainage

Ø8 mm
(5/16")



Drain holes: Ø5 mm (0.2") required.

Drain pipe: ID Ø8 mm (5/16") required.
(Tools and parts not included).

Installation LED indicator

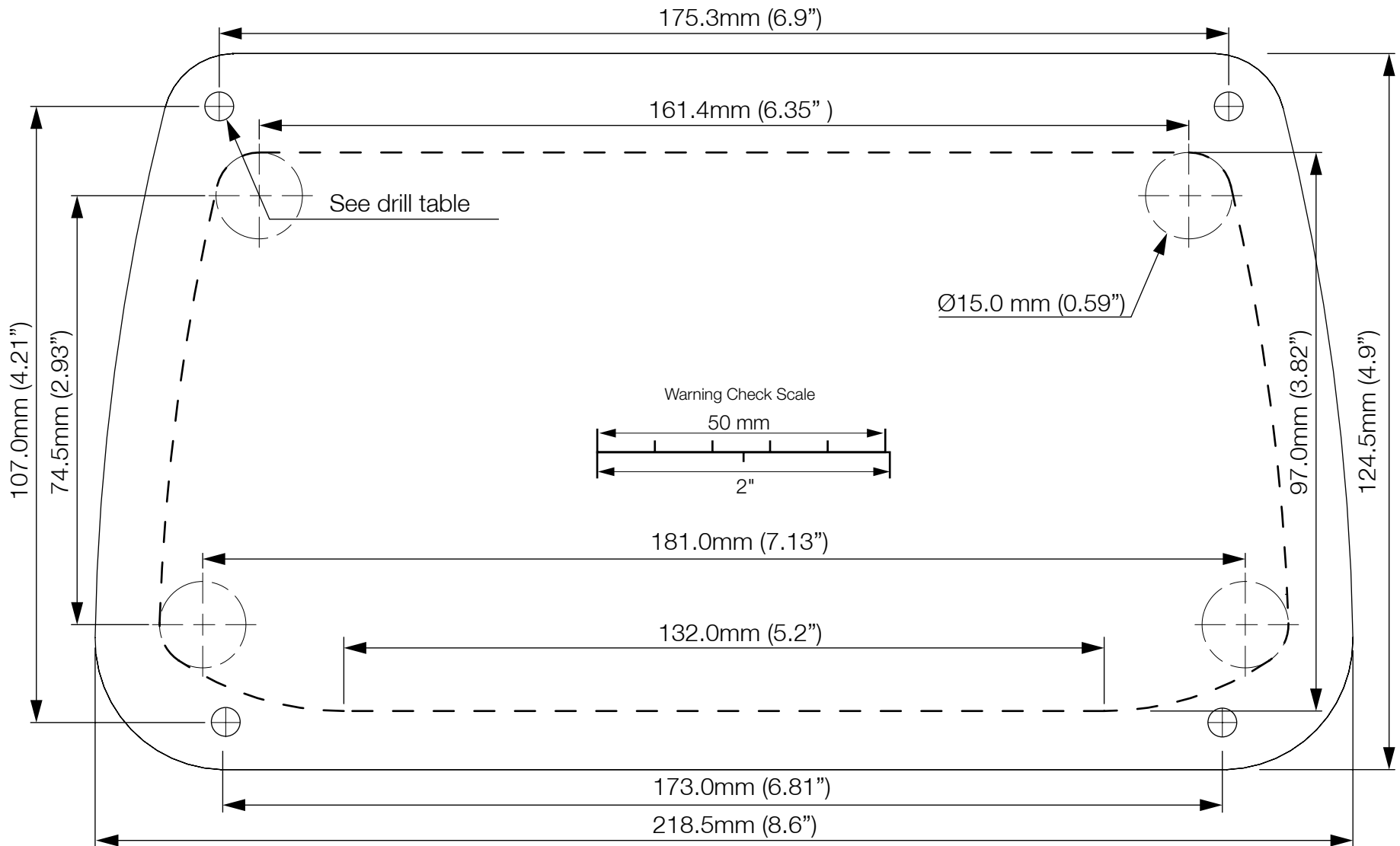
- White LED Constant: ON Charge
- Red LED Constant: Standby (power ON)
- ☀ Red LED Flashing:

Foreign object detection: metallic object placed on top that is not Qi compatible.

OR

Thermal cutout: The internal temperature is too high/ low. Wait for product to return to operating temperature.

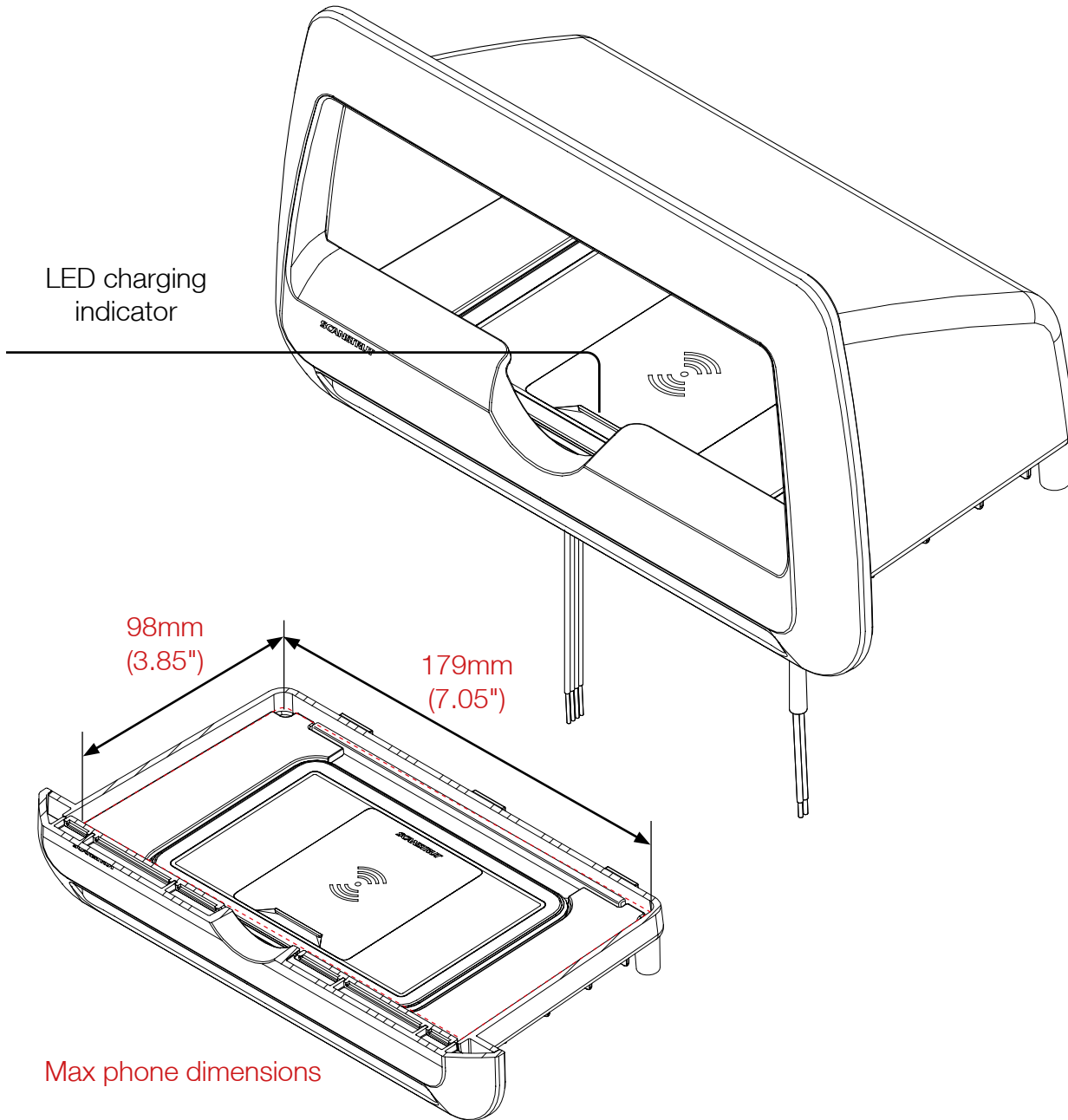
Cutting Template 1:1



Print document 1:1 scale for correct cutting template size.
Paper Size A4

Waterproof Wireless Charger Cove LED 3 Coil 15W SC-CW-10GT

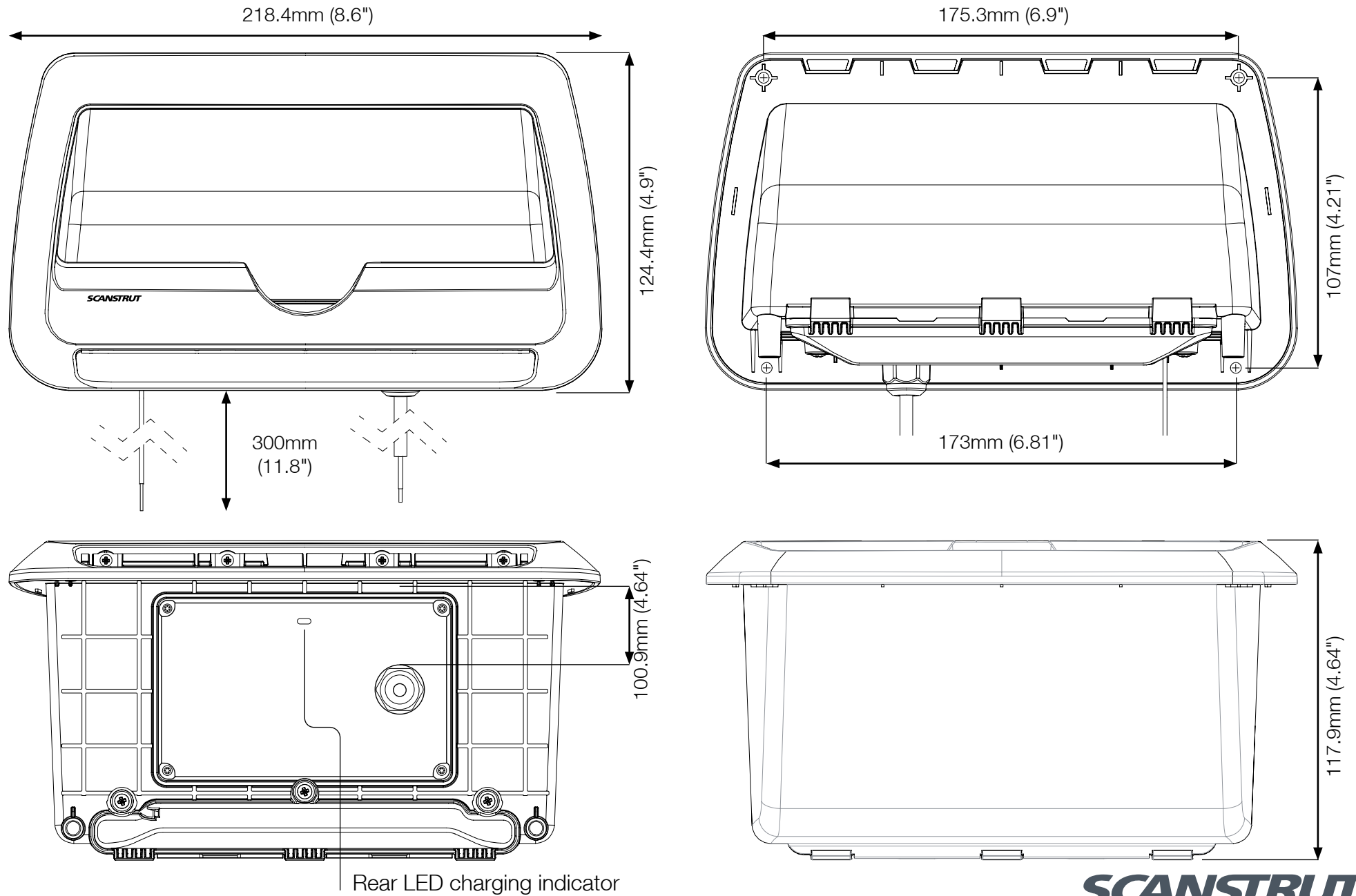
Email: sales@scanstrut.com
Email: usasales@scanstrut.com



Technical	
Wireless Charger	
IP Waterproof Rating	IPX6 Front and back
Cable Diameter	Ø 4.7 mm (0.185")
Cable bend Radius (4xD)	18.8 mm (0.74")
Cable AWG	20 AWG
Cable Length	300mm
Input voltage	10-30V DC (12/24V System)
Input current max	2A
Output power max	15W (12V 1.25A)
Standby power max	<1.2W
Certification	CE, UKCA, FCC, ROHS, C-Tick, UN ECE R10, E24, PSE Certified
RGB LED	
Input voltage	9-15V DC
Input current max	0.2A
Standby power draw	<0.0W

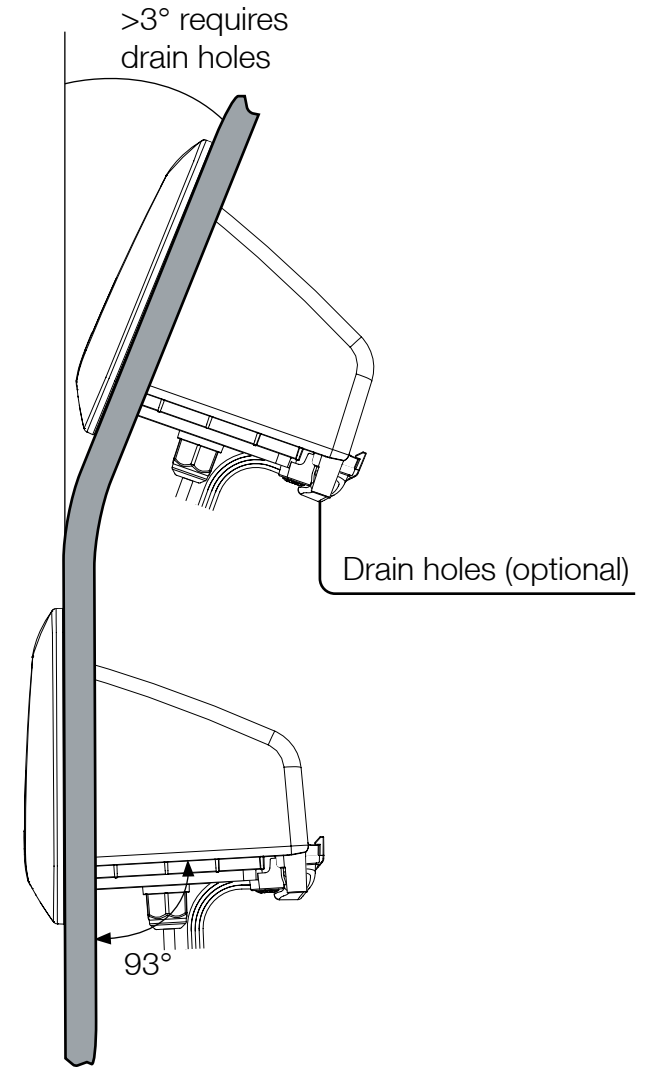
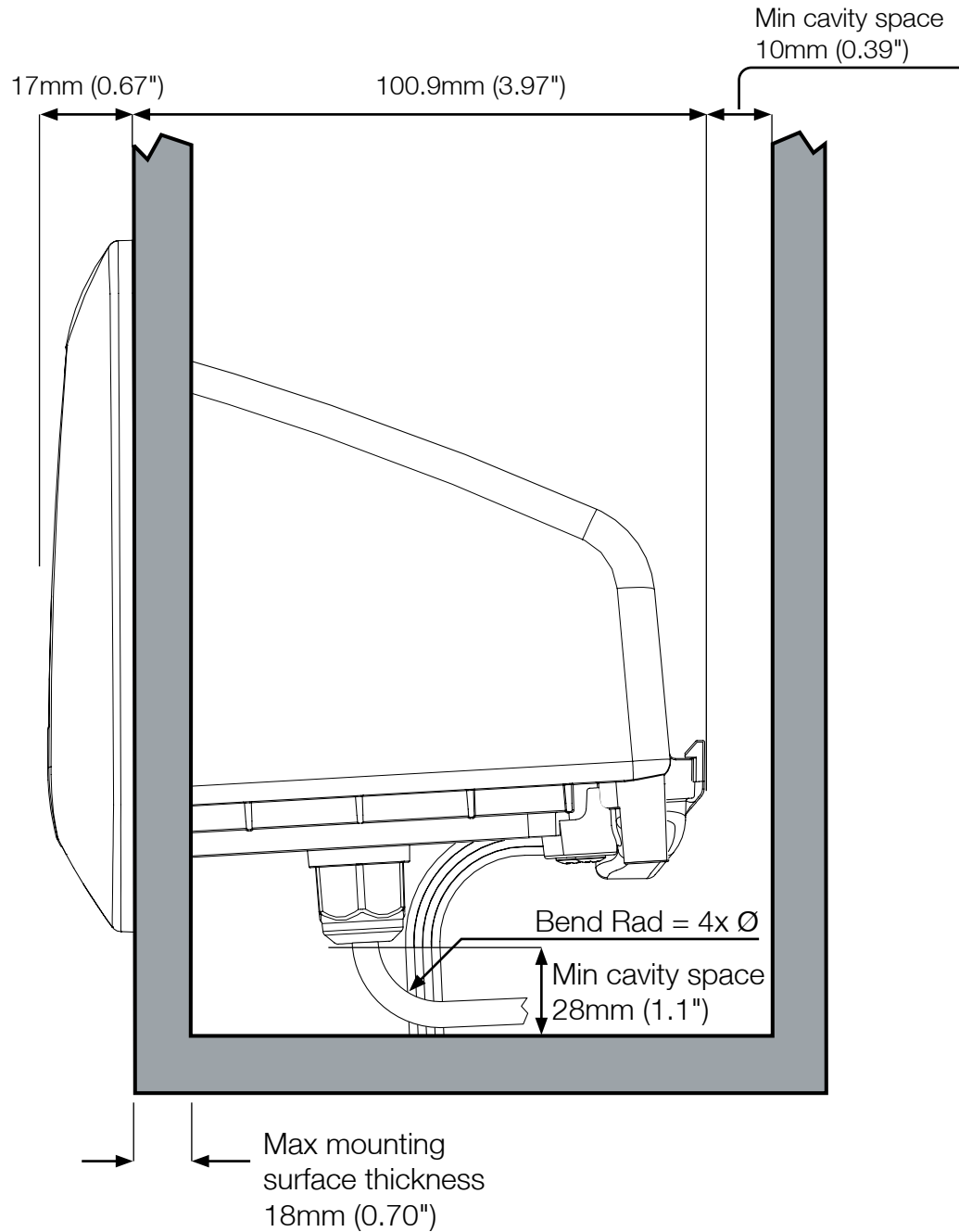
Waterproof Wireless Charger Cove LED 3 Coil 15W SC-CW-10GT

Email: sales@scanstrut.com
Email: usasales@scanstrut.com



Waterproof Wireless Charger Cove LED 3 Coil 15W SC-CW-10GT

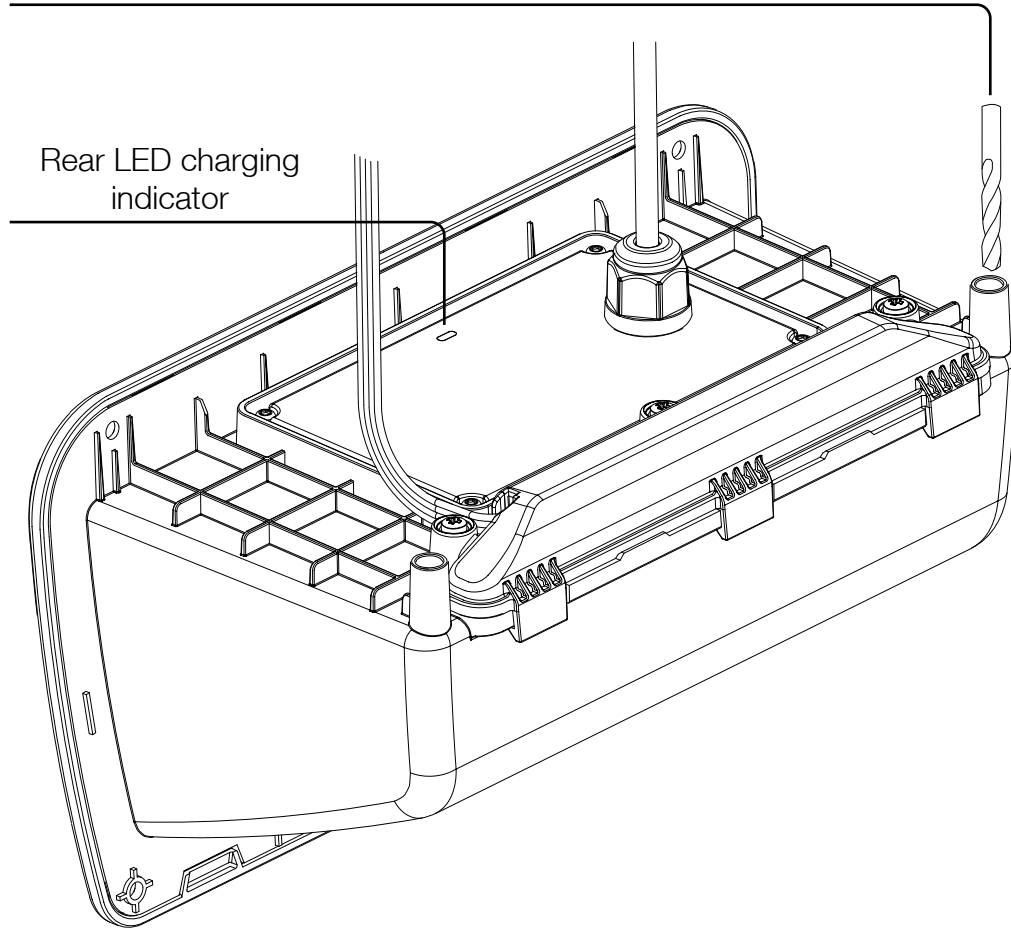
Email: sales@scanstrut.com
Email: usasales@scanstrut.com



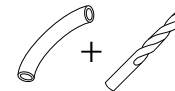
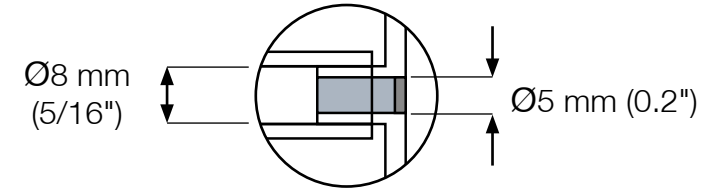
Recommended: Use self-drill rear drain holes when the product is installed on an angled surface beyond 3° from vertical.

Drain holes

Rear LED charging indicator



Optional drainage



Drain holes: Ø5 mm (0.2") required.

Drain pipe: ID Ø8 mm (5/16") required.
(Tools and parts not included).

Installation LED indicator

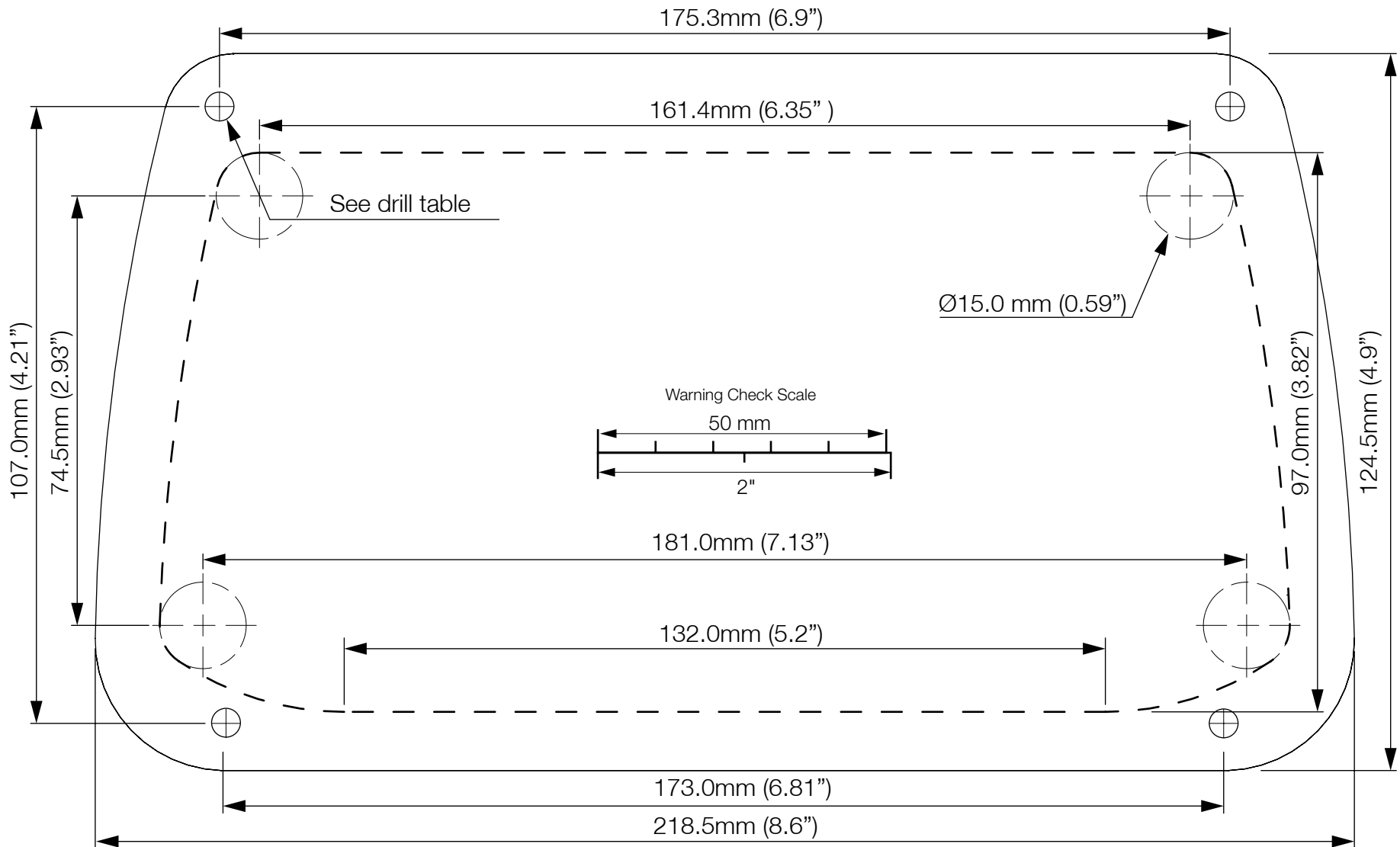
- White LED Constant: ON Charge
- Red LED Constant: Standby (power ON)
- ☀ Red LED Flashing:

Foreign object detection: metallic object placed on top that is not Qi compatible.

OR

Thermal cutout: The internal temperature is too high/ low. Wait for product to return to operating temperature.

Cutting Template 1:1



Print document 1:1 scale for correct cutting template size.
Paper Size A4