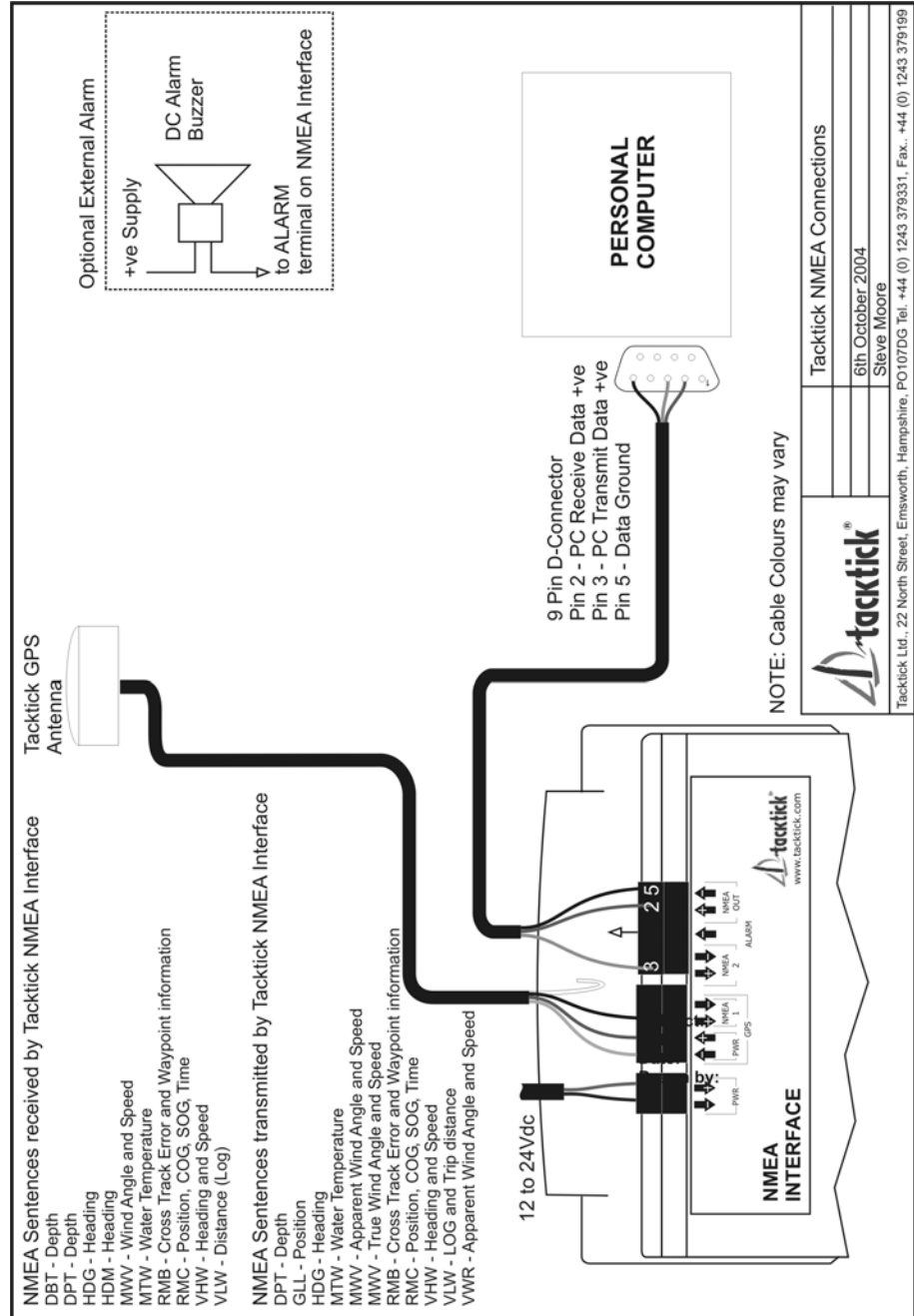


Connection Information



NMEA Interface



Tacktick Limited
22 North Street, Emsworth,
Hampshire, PO10 7DG, England
Tel. +44 (0)1243 379331
Fax. +44 (0) 1243 379199
www.tacktick.com

Tools Required

1. 2mm or 5mm Drill Bit
2. Power Drill
3. Cross Head Screwdriver

Parts List

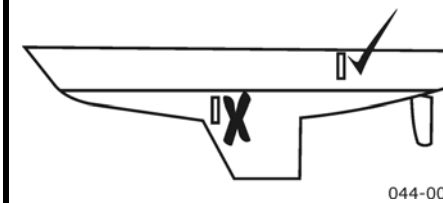
1. Mounting Template
2. Mounting Bracket
3. Mounting Screws (3 off)
4. Mounting Bolts (3 off)
5. M4 Studs & Thumbnuts (3 off)
6. Double Sided Tape

Precautions

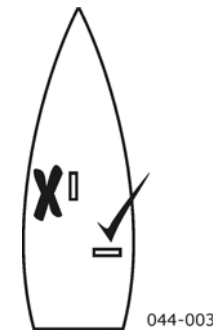
The NMEA Interface should be mounted in a dry area of the boat to protect the cables and connectors from corrosion. Cables should be supported close to the Hull Transmitter box to prevent possible strain on the internal connectors. All cables should be supported by clamps and ties close to the unit.

Positioning Advise

The NMEA Interface should be mounted such that the cables from the transducers can be routed to it easily through the boat. Mounting the Hull Transmitter close to the transducers will allow easy cable routing. Avoid mounting on metallic surfaces or where there are metallic objects between the Interface Box and other Micronet instruments.



Avoid bilge areas if possible to protect the equipment and connections

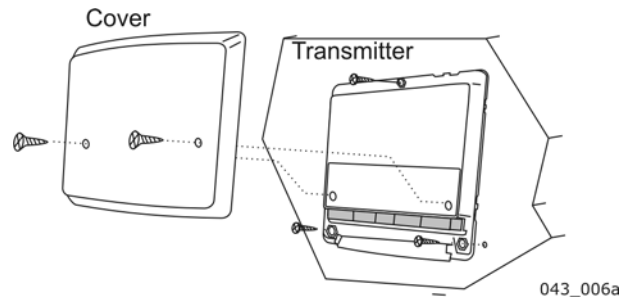


For optimum signal avoid mounting the transmitter on a longitudinal surface

Surface Mounting

Position the supplied Template carefully before starting noting that the template should be inverted for Transmitters.

1. Drill three 2.5mm holes marked "B" on the Template
2. Remove the cover of the Interface from the main body.
4. Attach the Interface to the mounting surface using the three self-tapping screws provided. Take care not to over tighten the screws as this may cause the moulding to crack.
5. Connect and secure the cables as shown overleaf.
6. Carefully fit the cover securing the cables with the clamp bar.

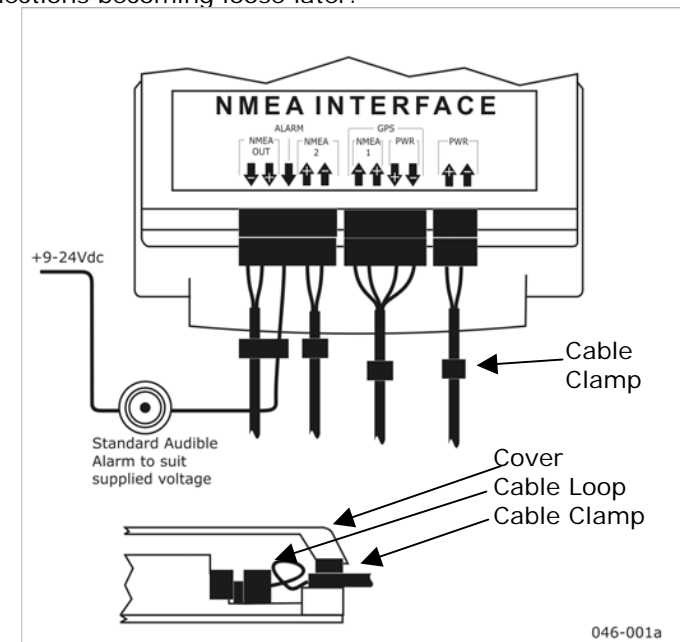


Installation Method

For optimum performance and long term operation it is advisable to connect to the vessels 12/24Vdc supply rather than relying on small power cells. Connect the cable ends from the transducers and power supply to the supplied connectors using the supplied screwdriver taking care to ensure that all core colours are positioned correctly. It is advisable to sheath the screens to prevent short circuit problems once the cover is in place.

Insert the connectors into the appropriate sockets on the Hull Transmitter and loop the single cores to allow the outer cable sheath to be secured in the clamp when the cover is fitted.

Secure the cables close to the Hull Transmitter to reduce the possibility of the connections becoming loose later.



NMEA Sentences (0183 V2.30)

Received Sentences: DBT, DPT, HDG, HDM, MWV, RMB, RMC, VHW, VLW

Transmitted Sentences: DPT, GLL, HDG, MTW, MWV, RMB, RMC, VHW, VLW, VWR

NOTE: Only information available will be transmitted.