



Raymarine®

RAY53/63/73



Installation & operation instructions

English (en-US)
Date: 06-2018
Document number: 81381-1
© 2018 Raymarine UK Limited







Trademark and patents notice

Raymarine, **Tacktick**, **Clear Pulse**, **Truzoom**, **SeaTalk**, **SeaTalk^{hs}**, **SeaTalk^{ng}**, and **Micronet**, are registered or claimed trademarks of Raymarine Belgium.

FLIR, **LightHouse**, **DownVision**, **SideVision**, **RealVision**, **Dragonfly**, **Quantum**, **Axiom**, **Instalert**, **Infrared Everywhere**, **The World's Sixth Sense** and **ClearCruise** are registered or claimed trademarks of FLIR Systems, Inc.

All other trademarks, trade names, or company names referenced herein are used for identification only and are the property of their respective owners.

This product is protected by patents, design patents, patents pending, or design patents pending.

Fair Use Statement

You may print no more than three copies of this manual for your own use. You may not make any further copies or distribute or use the manual in any other way including without limitation exploiting the manual commercially or giving or selling copies to third parties.

Software updates



Check the Raymarine website for the latest software releases for your product.
www.raymarine.com/software

Product documentation



The latest versions of all English and translated documents are available to download in PDF format from the website:
www.raymarine.com/manuals.
Please check the website to ensure you have the latest documentation.

Copyright ©2018 Raymarine UK Ltd. All rights reserved.

English (en-US)

Document number: 81381-1
AA:9330;2018-06-13T08:43:14







Contents

Chapter 1 Important information 9

- Certified Installation 9
- FCC 9
 - Compliance Statement (Part 15.19) 9
 - FCC Interference Statement (Part 15.105 (b)) 9
- Innovation, Science and Economic Development Canada (ISED) 10
 - Innovation, Sciences et Développement économique Canada (Français) 10
- Water ingress 10
- Disclaimer 10
- Declaration of Conformity 10
- Product disposal 11
- Warranty registration 11
- IMO and SOLAS 11
- Technical accuracy 11

Chapter 2 Document and product information 13

- 2.1 Product documentation 14
 - SeaTalkng® documentation 14
 - User manuals Print Shop 14
 - Document conventions 14
 - Document illustrations 14
- 2.2 Product overview 15
- 2.3 Applicable products 15
 - Required additional components 16
 - Optional additional components 16
 - Compatible MFDs 16
 - Incompatible MFDs 16

- 2.4 Parts supplied – Ray53 17
- 2.5 Parts supplied – Ray63 / Ray73 17
- 2.6 Licensing 18
 - USA licensing requirements 18
 - Canada licensing requirements 18
 - Europe and rest of world licensing requirements 18
 - Additional information – Ray53 18
 - Additional information – Ray63 18
 - Additional information – Ray73 18
- 2.7 Obtain MMSI (Maritime Mobile Service Identity) number 18
- 2.8 Automatic Transmitter Identification System (ATIS) 19
- 2.9 Software updates 19
 - Checking software versions 19

Chapter 3 Installation 21

- 3.1 Selecting a location 22
 - General location requirements 22
 - Antenna mounting and EME exposure 22
- 3.2 EMC installation guidelines 23
 - Suppression ferrites 23
 - Connections to other equipment 23
- 3.3 Product dimensions 23
 - Product dimensions – Ray53 23
 - Product dimensions – Ray63 / Ray73 24
 - Product dimensions – Fismic 24
 - Product dimensions - Wired handset (Raymic) 24
- 3.4 Mounting 25
 - Tools required for installation 25





Mounting options	25
Bracket mounting	25
Panel mounting — Ray53	26
Panel mounting — Ray63 / Ray73	27
Fistmic mounting	28
Handset (wired) mounting using the holster	28
Pass-through panel kit mounting	28

Chapter 4 Cables and connections..... 31

4.1 General cabling guidance.....	32
Cable types and length.....	32
Routing cables.....	32
Strain relief.....	32
Circuit isolation.....	32
Cable shielding.....	32
Connections to other equipment.....	32
Dust caps.....	32
Bare end wire connections.....	32
4.2 Connections overview — Ray53.....	33
4.3 Connections overview — Ray63 / Ray73.....	33
Primary and secondary station connectors.....	33
4.4 Power connection.....	34
In-line fuse and thermal breaker ratings.....	34
Grounding.....	34
Power distribution.....	34
4.5 Fistmic connection (Ray63 / Ray73 only).....	36
4.6 Secondary handset station (Ray63 / Ray73 only).....	36
Handset extension cables.....	36
Connecting handsets and cables.....	36
4.7 SeaTalkng® / NMEA 2000 connection.....	37
Connecting SeaTalkng® cables.....	37

4.8 NMEA 0183 connection.....	37
4.9 Connecting a VHF antenna.....	38
4.10 GNSS (GPS) antenna connection.....	38
4.11 Passive speaker connection.....	38
4.12 Loud hailer connection (Ray73 only).....	39

Chapter 5 Getting started..... 41

5.1 Controls and interface.....	42
5.2 Handset controls.....	42
5.3 Powering the unit on.....	43
Powering the handset.....	43
5.4 Powering the unit off.....	44
5.5 Homescreen overview.....	44
Status bar symbols.....	44
Main menu overview.....	45
5.6 Shortcut list.....	46
Adjusting Brightness and Contrast.....	46
5.7 Shared Brightness.....	47
Enabling Shared Brightness.....	47
5.8 Initial startup.....	47
5.9 Accessing the menu.....	48
5.10 Selecting a language.....	48
5.11 Switching on the AIS receiver.....	48
5.12 Selecting a network type.....	49
5.13 Entering your MMSI number.....	49
5.14 Entering your ATIS ID.....	50
Enabling and disabling ATIS mode.....	50
5.15 Changing the radio region.....	51
5.16 Switching between high and low transmit power.....	51





5.17 GNSS (GPS) set up	51
Enabling and disabling the internal GNSS (GPS)	51
Switching between internal and external antenna	51
No position data	52
Entering position manually	52
Selecting (GNSS) GPS information to display	52
Setting time format and offset	52
5.18 Station priority (Ray63 and Ray73 only)	52

Chapter 6 Digital selective calling (DSC) 53

6.1 Digital Selective Calling (DSC).....	54
6.2 Distress calls.....	55
Making a designated distress call	55
Making a distress call	55
Making a Mayday call	55
Cancelling a distress call before transmission	55
Cancelling a distress call after transmission	55
Receiving a distress call.....	56
Ignoring a distress call	56
Acknowledging a distress call	56
Manually relaying a distress call	56
Distress relays sent by other stations	57
6.3 Urgency calls	57
Making an urgency call.....	57
Receiving an urgency call	57
6.4 Safety calls.....	57
Making a safety call	57
Receiving a safety call.....	57
6.5 Individual (routine) calls	58
Making an Individual call	58
Receiving an Individual call	58

6.6 Group calls.....	58
Making a group call	58
Receiving a group call.....	58
6.7 Position requests.....	59
Making a position request.....	59
Responding to a position request	59
Setting automatic response to position requests	59
6.8 Phonebook	60
Adding a Phonebook entry.....	60
Editing a Phonebook entry	60
Deleting a Phonebook entry.....	60
6.9 Call logs.....	60
Accessing the call logs.....	60
6.10 Test calls.....	61
Making a Test call	61
Receiving a test call	61
6.11 DSC set-up menu options.....	62

Chapter 7 VHF operations 63

7.1 Watch modes.....	64
Setting Watch mode	64
7.2 Scan Mode.....	64
Setting Scan mode.....	64
7.3 Priority channels.....	64
Switching between priority channels	64
Setting a second priority channel.....	64
7.4 Sensitivity	65
Switching sensitivity modes	65
7.5 Private channels.....	65
Selecting a private channel set	65



7.6 Automatic Transmitter Identification System (ATIS) and Marcom-C mode	65
Enabling and disabling ATIS mode	66
7.7 AIS receiver	66
Switching AIS on and off	66
7.8 Set-up menu options	66
Display Set-up menu	67
Shared Brightness menu	68
Chapter 8 Hailer, Fog horn, and Intercom	69
8.1 Hailer Fog Intercom menu	70
8.2 Loud Hailer	70
Using the hailer	70
8.3 Fog horn	70
Using the fog horn in manual mode	70
Using automatic fog horn modes	71
Switching off Fog Horn mode	71
8.4 Intercom	71
Using the intercom	71
Responding to the intercom	71
Chapter 9 Maintenance	73
9.1 Maintenance	74
Routine checks	74
Unit cleaning instructions	74
Chapter 10 Troubleshooting	75
10.1 Troubleshooting	76
Performing a system reset	76
System test	76
10.2 Power up troubleshooting	77

10.3 VHF Radio troubleshooting	79
10.4 GNSS (GPS) troubleshooting	80
GPS data output	81

Chapter 11 Technical support **83**

11.1 Raymarine product support and servicing	84
11.2 Viewing product information	85
11.3 Learning resources	85

Chapter 12 Technical specification **87**

12.1 Technical specification — Ray53	88
12.2 Technical specification — Ray63	89
12.3 Technical specification — Ray73	90
12.4 Radio usage	92

Appendix A NMEA 0183 sentences **93**

Appendix B NMEA 2000 PGN list **94**

Appendix C MMSI Regulatory bodies and application submissions **96**

Appendix D VHF Channels **98**

Appendix E Phonetic alphabet **113**

Appendix F Prowords **114**





Chapter 1: Important information

Certified Installation

Raymarine recommends certified installation by a Raymarine approved installer. A certified installation qualifies for enhanced product warranty benefits. Contact your Raymarine dealer for further details, and refer to the separate warranty document packed with your product.



Warning: Product installation and operation

- This product must be installed and operated in accordance with the instructions provided. Failure to do so could result in personal injury, damage to your vessel and/or poor product performance.
- Raymarine recommends certified installation by a Raymarine approved installer. A certified installation qualifies for enhanced product warranty benefits. Contact your Raymarine dealer for further details, and refer to the separate warranty document packed with your product.



Warning: Potential ignition source

This product is NOT approved for use in hazardous/flammable atmospheres. Do NOT install in a hazardous/flammable atmosphere (such as in an engine room or near fuel tanks).



Warning: 12 Volt dc only

This product must only be connected to a 12 volt dc power source.



Warning: Chassis grounding

Do NOT ground this product using the chassis ground terminal.

Grounding this product to a vessel's RF ground may cause galvanic corrosion.



Warning: VHF Antenna isolation

To prevent galvanic corrosion your VHF antenna must be isolated from any vessel metalwork using a suitable, insulated (e.g. plastic) mounting bracket.



Warning: Positive ground systems

Do not connect this unit to a system which has positive grounding.



Warning: Switch off power supply

Ensure the vessel's power supply is switched OFF before starting to install this product. Do NOT connect or disconnect equipment with the power switched on, unless instructed in this document.

FCC



Warning: FCC Warning (Part 15.21)

Changes or modifications to this equipment not expressly approved in writing by Raymarine Incorporated could violate compliance with FCC rules and void the user's authority to operate the equipment.

Compliance Statement (Part 15.19)

This device complies with Part 15 of the FCC Rules. Operation is subject to the following two conditions:

1. This device may not cause harmful interference.
2. This device must accept any interference received, including interference that may cause undesired operation.

FCC Interference Statement (Part 15.105 (b))

This equipment has been tested and found to comply with the limits for a Class B digital device, pursuant to Part 15 of the FCC Rules.

These limits are designed to provide reasonable protection against harmful interference in a residential installation. This equipment generates, uses, and can radiate radio frequency energy and, if not installed and used in accordance with the instructions, may cause harmful interference to radio communications. However, there is no guarantee that interference will not occur in a particular installation. If this equipment does cause harmful interference to radio or television reception, which can be determined by turning the equipment off and on, the user is encouraged to try to correct the interference by one of the following measures:

1. Reorient or relocate the receiving antenna.
2. Increase the separation between the equipment and receiver.





3. Connect the equipment into an outlet on a circuit different from that to which the receiver is connected.
4. Consult the dealer or an experienced radio / TV technician for help.

Innovation, Science and Economic Development Canada (ISED)

This device complies with License-exempt RSS standard(s).

Operation is subject to the following two conditions:

1. This device may not cause interference; and
2. This device must accept any interference, including interference that may cause undesired operation of the device.

This Class B digital apparatus complies with Canadian ICES-003.

Innovation, Sciences et Développement économique Canada (Français)

Cet appareil est conforme aux normes d'exemption de licence RSS.

Son fonctionnement est soumis aux deux conditions suivantes:

1. cet appareil ne doit pas causer d'interférence, et
2. cet appareil doit accepter toute interférence, notamment les interférences qui peuvent affecter son fonctionnement.

Cet appareil numérique de la classe B est conforme à la norme NMB-003 du Canada.



Warning: Maximum Permissible Exposure

For optimal radio performance and minimal human exposure to Radio Frequency (RF) electromagnetic energy, you must ensure that the antenna is:

- connected to the radio before transmitting
- located where it will be away from people
- located at least 1.8 meters (5.9 feet) from the radio's main unit

Failure to observe these guidelines may expose those within the Maximum Permissible Exposure (MPE) radius to RF radiation absorption that exceeds the FCC MPE limit. It is the radio operator's responsibility to ensure that no person comes within this radius.

Caution: Perform regular radio checks

Perform regular radio checks when using your vessel, as recommended in radio training and certification schemes and radio equipment rules of use.

Caution: Ensure proper radio use

Under no circumstances should a DSC distress alert be sent from your radio for test purposes. Such action is a violation of rules of use for radio equipment, and can result in heavy fines.

Water ingress

Water ingress disclaimer

Although the waterproof rating capacity of this product meets the stated water ingress protection standard (refer to the product's *Technical Specification*), water intrusion and subsequent equipment failure may occur if the product is subjected to commercial high-pressure washing. Raymarine will not warrant products subjected to high-pressure washing.

Disclaimer

Raymarine does not warrant that this product is error-free or that it is compatible with products manufactured by any person or entity other than Raymarine.

Raymarine is not responsible for damages or injuries caused by your use or inability to use the product, by the interaction of the product with products manufactured by others, or by errors in information utilized by the product supplied by third parties.

Declaration of Conformity

FLIR Belgium BVBA declares that the radio equipment types listed below are in compliance with the Radio Equipment Directive 2014/53/EU.

Product	Part number
Ray53	E70524
Ray63	E70516
Ray73	E70517

The original Declaration of Conformity certificate may be viewed on the relevant product page at www.raymarine.com/manuals.





Product disposal

Dispose of this product in accordance with the WEEE Directive.

The Waste Electrical and Electronic Equipment (WEEE) Directive requires the recycling of waste electrical and electronic equipment which contains materials, components and substances that may be hazardous and present a risk to human health and the environment when WEEE is not handled correctly.



Equipment marked with the crossed-out wheeled bin symbol indicates that the equipment should not be disposed of in unsorted household waste.

Local authorities in many regions have established collection schemes under which residents can dispose of waste electrical and electronic equipment at a recycling center or other collection point.

For more information about suitable collection points for waste electrical and electronic equipment in your region, refer to the following table:

Region	Website	Region	Website
AT	www.ara-plus.at	IT	www.erp-recycling.org/it-it
BE	www.recupel.be	LT	www.eei.lt
BG	www.greentech.bg	LU	www.ecotrel.lu , https://aev.gouvernement.lu/fr.html
CY	www.electrocyclo-sis.com.cy	LV	www.lze.lv
CZ	www.retela.cz	MT	http://www.greenpak.com.mt
DE	www.earn-service.com	NL	www.wecycle.nl

Important information

Region	Website	Region	Website
DK	www.elretur.dk	PL	www.electro-system.pl
EE	www.elektronikaromu.ee	PT	www.amb3e.pt
ES	www.raee-asim-elec.es	RO	www.ecotic.ro
FI	www.elker.fi	SE	www.elkretsen.se
FR	www.ecologic-france.com , www.eco-systemes.fr	SI	www.zeos.si
GR	www.electrocycle.gr	SK	www.erp-recycling.sk
IE	www.weeeireland.ie	UK	www.wastecare.co.uk/compliance-services/weeecare

Warranty registration

To register your Raymarine product ownership, please visit www.raymarine.com and register online.

It is important that you register your product to receive full warranty benefits. Your unit package includes a bar code label indicating the serial number of the unit. You will need this serial number when registering your product online. You should retain the label for future reference.

IMO and SOLAS

The equipment described within this document is intended for use on leisure marine boats and workboats NOT covered by International Maritime Organization (IMO) and Safety of Life at Sea (SOLAS) Carriage Regulations.

Technical accuracy

To the best of our knowledge, the information in this document was correct at the time it was produced. However, Raymarine cannot accept liability for any inaccuracies or omissions it may contain. In addition, our policy of continuous product improvement may change specifications without notice. As a result, Raymarine cannot accept liability for any differences between the product and this document. Please check the Raymarine website (www.raymarine.com) to ensure you have the most up-to-date version(s) of the documentation for your product.







Chapter 2: Document and product information

Chapter contents

- [2.1 Product documentation on page 14](#)
- [2.2 Product overview on page 15](#)
- [2.3 Applicable products on page 15](#)
- [2.4 Parts supplied – Ray53 on page 17](#)
- [2.5 Parts supplied – Ray63 / Ray73 on page 17](#)
- [2.6 Licensing on page 18](#)
- [2.7 Obtain MMSI \(Maritime Mobile Service Identity\) number on page 18](#)
- [2.8 Automatic Transmitter Identification System \(ATIS\) on page 19](#)
- [2.9 Software updates on page 19](#)



2.1 Product documentation

The following documentation is applicable to your product:

Description	Part number
Installation and operation instructions	81381 (This document)
Ray53 mounting template	87218
Ray63 / Ray73 mounting template	87219

All documents are available to download in pdf format from the Raymarine website www.raymarine.com/manuals.

SeaTalkng® documentation

Description	Part number
SeaTalkng® reference manual Planning and connection of systems based around the SeaTalkng® network.	81300
SeaTalk — SeaTalkng® converter installation instructions Installation and connection of the SeaTalk — SeaTalkng® converter.	87121

User manuals Print Shop

Raymarine provides a Print Shop service, enabling you to purchase a high-quality, professionally-printed manual for your Raymarine product.

Printed manuals are ideal for keeping onboard your vessel, as a useful source of reference whenever you need assistance with your Raymarine product.

Visit <http://www.raymarine.co.uk/view/?id=5175> to order a printed manual, delivered directly to your door.

For further information about the Print Shop, please visit the Print Shop FAQ pages: <http://www.raymarine.co.uk/view/?id=5751>.

Note:

- Accepted methods of payment for printed manuals are credit cards and PayPal.
- Printed manuals can be shipped worldwide.
- Further manuals will be added to the Print Shop over the coming months for both new and legacy products.
- Raymarine user manuals are also available to download free-of-charge from the Raymarine website, in the popular PDF format. These PDF files can be viewed on a PC / laptop, tablet, smartphone, or on the latest generation of Raymarine multifunction displays.

Document conventions

The following conventions are used throughout this document.

Procedures for performing specific tasks using the product's user interface.

The term "Select" is used to refer to the action of:

- Touchscreen control — using your finger to select a menu option or item on the screen.
- Physical buttons — Highlighting an item using the navigational controls and confirming the selection by pressing the **OK** button.

Examples:

- Select **Ok** to confirm your selection.
- Select **Set-up**

Procedures for navigating menu hierarchies.

Menu hierarchies are used in this document to provide a quick summary on how to access a particular function or menu option.

Examples:

- The internal sonar module is turned off from the Fishfinder application menu: **Menu > Set-up > Sounder Set-up > Internal Sounder**.
- The internal GPS can be switched off from the Set-up menu: **Menu > Set-up > GPS Set-up > Internal GPS**.

Document illustrations

Your product and if applicable, its user interface may differ slightly from that shown in the illustrations in this document, depending on product variant and date of manufacture.

All images are provided for illustration purposes only.





2.2 Product overview




The Ray53, Ray63 and Ray73 are 12 V dc, Class D Digital Selective Calling (DSC) VHF radios. DSC enables you to make a selective call to a specific radio, and to transmit and receive position information to and from the selected radio. DSC also allows transmission of a distress alert to all radios within range at the touch of a button. Once a DSC request is sent and acknowledged, voice communication is carried out on the channel chosen by the caller. The radio can transmit and receive on all available US, Canadian, International and Private marine VHF channels.

Your product includes the following features:

- Built-in GNSS (GPS) receiver with internal antenna and an external antenna connection.
- Networkable: Connect to NMEA 2000 / SeaTalkng[®] or NMEA 0183.
- Expandible:
 - Add a second fully functional handset station (Ray63 / Ray73 only).
 - Add an optional passive speaker.
 - Add an optional Loud Hailer the Ray73 can be used as a fog horn or loud public address (PA) system.
- Built-in AIS receiver (Ray73 only).

2.3 Applicable products

This document is applicable to the following products:

	Name	Part number	Features
	E70524	Ray53	<ul style="list-style-type: none"> • SeaTalkng[®] / NMEA 2000 • NMEA 0183 • Built-in GNSS (GPS and GLONASS) receiver • Passive speaker connection
	E70516	Ray63	<ul style="list-style-type: none"> • SeaTalkng[®] / NMEA 2000 • NMEA 0183 • Built-in GNSS (GPS and GLONASS) receiver • Passive speaker connection • Up to 2 stations
	E70517	Ray73	<p>Same as Ray63 with additional:</p> <ul style="list-style-type: none"> • Built-in AIS receiver • Loud hailer connection





Required additional components

Your product requires a VHF antenna.

Part number	Description
N/A	3 rd Party 50 ohm VHF antenna

Optional additional components

GNSS / GPS antenna

You can improve the performance of your radio's built-in GNSS (GPS) receiver using an external antenna.

Part number	Description
A80288	Passive GNSS (GPS) antenna

Ray53

Part number	Description
A80542	Wired speaker (passive)

Ray63 / Ray73

Part number	Description
A80542	Wired speaker (passive)
A80289	Wired handset (Raymic)

Ray73

Part number	Description
M95435	Loud Hailer

Extension cables

The following extension cables are available:






Part number	Description
A80291	Wired handset extension cable 5 m (16.4 ft)
A80292	Wired handset extension cable 10 m (32.8 ft)

Part number	Description
A80290	Wired handset extension cable 15 m (49.2 ft)
A80297	Wired handset adaptor cable with male RCA audio (400 mm 1.3 ft)




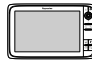

Compatible MFDs

Your radio can be integrated with compatible MFDs, enabling DSC distress message information and position data on your MFD screen.


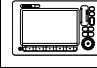
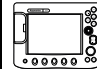
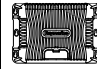
Compatible LightHouse™ 3 MFDs

	Axiom™		Axiom™ Pro
	Axiom™ XL		eS Series
	gS Series		

Compatible LightHouse™ 2 MFDs

	eS Series		gS Series
	e Series		c Series
	a Series		

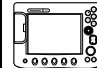
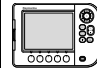
Compatible Legacy MFDs

	E-Series Widescreen		C-Series Widescreen
	E-Series Classic		G-Series

Incompatible MFDs

This product is NOT compatible with the following legacy Raymarine multifunction displays.

Legacy MFDs

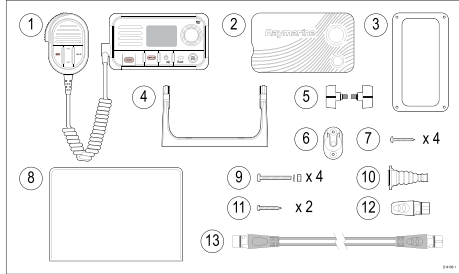
	C-Series Classic		A-Series Classic
---	------------------	---	------------------





2.4 Parts supplied – Ray53

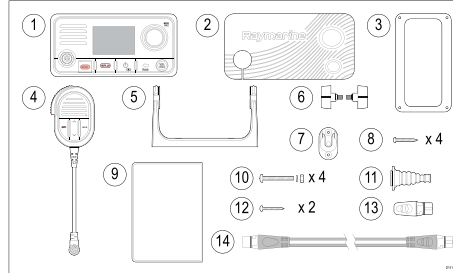
The parts listed below are supplied with the Ray53.



Item	Description
1	VHF Radio
2	Sun cover
3	Panel mount gasket
4	Mounting bracket (Trunnion)
5	Mounting bracket knobs
6	Fistmic hook plate
7	4 x M4x25 screws (For Bracket (Trunnion) mounting)
8	Documentation
9	4 x M4 nuts, spring washers and M4x25 machine screws (For Panel mounting)
10	Protective antenna boot
11	2 x M4x12 screws (For Fistmic hook plate mounting).
12	SeaTalkng® blanking plug
13	SeaTalkng® 400 mm (15.7 in.) spur cable

2.5 Parts supplied – Ray63 / Ray73

The parts listed below are supplied with the Ray63 and Ray73.



Item	Description
1	VHF Radio
2	Sun cover
3	Panel mount gasket
4	Fistmic
5	Mounting bracket (Trunnion)
6	Mounting bracket knobs
7	Fistmic hook plate
8	Documentation
9	4 x M4 nuts, spring washers and M4x25 machine screws (For Panel mounting)
10	4 x M4x25 screws (For Bracket (Trunnion) mounting)
11	2 x M4x12 screws (For Fistmic hook plate mounting).
12	Protective antenna boot

Item	Description
13	SeaTalkng® blanking plug
14	SeaTalkng® 400 mm (15.7 in.) spur cable

Document and product information



2.6 Licensing

Prior to using this product please check your national requirements for both operator and equipment licensing.

USA licensing requirements

FCC station license requirement

An FCC Ship Radio Station License and Call Sign are not required for most recreational vessels travelling in US waters. However, you must obtain a license if your vessel travels to foreign ports.

Ships that use MF/HF single side-band radio, satellite communications, or telegraphy must be licensed by the FCC. You can obtain a Station License by filing FCC Form 605.

Canada licensing requirements

You do not need a license to operate this product within the sovereign waters of Canada or the United States of America (USA).

You will need a license to operate this radio outside of Canada or the USA. To obtain licensing information, visit the Innovation, Science and Economic Development Canada (ISED) (previously known as Industry Canada) website: <https://www.tc.gc.ca/eng/marinesafety/oep-navigation-radiocomms-faqs-1489.htm>.

Europe and rest of world licensing requirements

Regulations in some areas require that an Operator's license is obtained before operating a VHF radio. It is your responsibility to determine whether a license is required in your area before operating this equipment.

Additional information – Ray53

The following additional information is required for completing a license application in Canada and the US.

ISED ID	4069B-RAY50D
FCC ID	PJ5–RAY50

FCC Type accepted	Parts 2, 15 and 80
Output power	1 watt (low) and 25 watt (high)
Modulation	FM
Frequency range	155.500 MHz to 163.275 MHz

Additional information – Ray63

The following additional information is required for completing a license application in Canada and the US.

ISED ID	4069B-RAY60D
FCC ID	PJ5–RAY60
FCC Type accepted	Parts 2, 15 and 80
Output power	1 watt (low) and 25 watt (high)
Modulation	FM
Frequency range	155.500 MHz to 163.275 MHz

Additional information – Ray73

The following additional information is required for completing a license application in Canada and the US.

ISED ID	4069B-RAY70D
FCC ID	PJ5–RAY70
FCC Type accepted	Parts 2, 15 and 80
Output power	1 watt (low) and 25 watt (high)
Modulation	FM
Frequency range	155.500 MHz to 163.275 MHz

2.7 Obtain MMSI (Maritime Mobile Service Identity) number

Before commencing installation ensure you have obtained a MMSI number for your vessel.

A MMSI is a 9 digit number which is sent over a radio frequency channel in order to identify the originating vessel/station. If your vessel already has a MMSI number (used for a VHF DSC radio) then the same MMSI number must be used to program your product.

Note:

If a MMSI number is not entered, the DSC functionality of your radio will be disabled.

In the United States of America, the MMSI and Static Data must be entered only by a Raymarine® dealer or other appropriately qualified installer of marine communications equipment on board vessels. The user is NOT authorized to do this.

In some areas, a radio operator licence is required before a MMSI number will be issued. You can request a MMSI number from same agency that issues radio or Ship Radio licences in your area.

In Europe and other parts of the world outside of the United States of America, the MMSI and Static data can be set up by the user.

For further details, refer to the relevant Telecommunications Regulatory Body for your area.

Refer to [Appendix C MMSI Regulatory bodies and application submissions](#)

for a list of contacts for obtaining MMSI numbers for some areas.



Warning: MMSI entry

You can only enter a MMSI number once, if you enter the number incorrectly or need to change your MMSI number, the unit will require re-programming by an authorized Raymarine dealer.



2.8 Automatic Transmitter Identification System (ATIS)

Your product includes ATIS functionality for use on the inland waterways of contracting governments of the "Regional Arrangement on the Radiocommunication Service for Inland Waterways" — also known as "RAINWAT".

ATIS adds data at the end of radio transmissions that identifies your station. ATIS operation can be turned on or off as needed via the radio's menu.

An ATIS ID can be obtained from the same agency that issues radio operator licenses in your area.

Your ATIS ID should be programmed into your product using the instructions provided.

Note:

Contracting RAINWAT countries include: Austria, Belgium, Bulgaria, Croatia, the Czech Republic, France, Germany, Hungary, Luxembourg, Moldova, Montenegro, the Netherlands, Poland, Romania, Serbia, the Slovak Republic and Switzerland.

Note:

When ATIS is enabled, certain programming steps have been implemented to protect the integrity of the RAINWAT agreement, including the blocking of DSC functions when ATIS is enabled.

2.9 Software updates

Raymarine periodically releases software updates for its products. These updates provide new features, current feature enhancements and bug fixes which improves product performance and usability.

Check the Raymarine website: www.raymarine.com/software regularly to ensure you have the latest software for your products.

The software update process requires a compatible MFD, powered by LightHouse™ 2 release 13.37 or above, or LightHouse™ 3 version LH3.2 or above.

- Please refer to the operation instructions for your MFD / operating system version for details on how to perform the software update, alternatively refer to the instructions provided on the software download area for your product on the Raymarine website: www.raymarine.com/software.
- The MFD used to perform the software update must be the designated Data master and be connected / networked to the product being updated.
- If you are in any doubt as to the correct procedure for updating your product software, please refer to your local authorized dealer or Raymarine technical support for assistance.

Caution: Installing software updates

The software update process is carried out at your own risk. Before initiating the update process ensure you have backed up any important files.

Ensure that the unit has a reliable power supply and that the update process is not interrupted.

Damage caused by incomplete updates are not covered by Raymarine warranty.

By downloading the software update package, you agree to these terms.

Checking software versions

You can check the software version of your radio and connected components.

From the Homescreen:

1. Select **Menu > Set-up > Maintenance > About this unit**.
2. Scroll down.

Software versions of connected components are displayed.







Chapter 3: Installation

Chapter contents

- [3.1 Selecting a location on page 22](#)
- [3.2 EMC installation guidelines on page 23](#)
- [3.3 Product dimensions on page 23](#)
- [3.4 Mounting on page 25](#)





3.1 Selecting a location



Warning: Potential ignition source

This product is NOT approved for use in hazardous/flammable atmospheres. Do NOT install in a hazardous/flammable atmosphere (such as in an engine room or near fuel tanks).

General location requirements

When selecting a location for the unit it is important to consider a number of factors.

Ventilation requirements

To provide adequate airflow:

- Ensure that equipment is mounted in a compartment of suitable size.
- Ensure that ventilation holes are not obstructed.
- Ensure adequate separation of equipment.

Water ingress

Base station — Although the Base station is waterproof to IPx6 and IPx7, it is recommended that the Base station is mounted below decks, in an area protected from prolonged and direct exposure to rain and salt spray.

Wired handset — The Handset has been designed to be mounted above or below decks and is rated to IPx6 and IPx7.

Wired (Passive) speaker — The speakers has been designed to be mounted above or below decks and are rated to IPx6 and IPx7.

Mounting surface requirements

When selecting a mounting surface ensure:

- the product will be adequately supported on a secure, flat surface. Do NOT mount units or cut holes in places which may damage the structure of the vessel.
- sufficient space is available around the product.
- there is nothing behind the mounting surface that may be damaged when drilling.

Cable routing requirements

Ensure you have identified the route that all required cables will take and that sufficient space is available to allow connection of cables:

- Unless otherwise stated, a minimum cable bend radius of 100 mm (3.94 in) is required.
- Where necessary, cable supports should be used to prevent stress on connectors.

Electrical interference

Select a location that is far enough away from devices that may cause interference, such as motors, generators and radio transmitters/receivers.

Power supply

Select a location that is as close as possible to the vessel's DC power supply. This will help to keep cable runs to a minimum.

RF interference

Certain third-party external electrical equipment can cause Radio Frequency (RF) interference with GNSS (GPS), AIS or VHF devices, if the external equipment is not adequately insulated and emits excessive levels of electromagnetic interference (EMI).

Some common examples of such external equipment include LED spot or strip lights, and terrestrial TV tuners.

To minimize interference from such equipment:

- Keep it as far away from GNSS (GPS), AIS or VHF devices as possible.
- Ensure that any power cables for external equipment are not entangled with the power or data cables for these devices.
- Consider fitting one or more high frequency suppression ferrites to the EMI-emitting device. The ferrite(s) should be rated to be effective in the range 100 MHz to 2.5 GHz, and should be fitted to the power cable and any other cables exiting the EMI-emitting device, as close as possible to the position where the cable exits the device.

Compass safe distance

When choosing a suitable location for your product you should aim to maintain the maximum possible distance between the product and any installed compass. This

distance should be at least 1 m (3 ft) in all directions. For smaller vessels it may not be possible to achieve this distance. In this situation ensure that the compass is not affected by the product when it is powered on.

Antenna mounting and EME exposure

Ensure that your VHF antenna is connected to the radio before transmission.

Raymarine® declares a Maximum Permissible Exposure (MPE) radius of 1.8 meters (5.9 ft.) for this system, assuming 25 watts output to an omnidirectional antenna of 3dBi gain or less.

For watercraft with suitable structures, the antenna base must be at least 3.8 meters (12.5 ft) above the main deck to meet the MPE for persons up to 2 metres (6.6 ft) tall. For watercraft without such structures, the antenna must be mounted so that its base is a minimum of 1.8 meters (5.9 ft.) vertically from heads of all persons.

The antenna must be isolated from the vessel's metalwork using an insulated (e.g. plastic) mounting bracket.





3.2 EMC installation guidelines

Raymarine® equipment and accessories conform to the appropriate Electromagnetic Compatibility (EMC) regulations, to minimize electromagnetic interference between equipment and minimize the effect such interference could have on the performance of your system

Correct installation is required to ensure that EMC performance is not compromised.

Note:

In areas of extreme EMC interference, some slight interference may be noticed. Where this occurs the product and the source of the interference should be separated by a greater distance.

For **optimum** EMC performance we recommend that wherever possible:

- Raymarine® equipment and cables connected to it are:
 - At least 1 m (3 ft) from any equipment transmitting or cables carrying radio signals e.g. VHF radios, cables and antennas. In the case of SSB radios, the distance should be increased to 2 m (7 ft).
 - More than 2 m (7 ft) from the path of a Radar beam. A Radar beam can normally be assumed to spread 20 degrees above and below the radiating element.
- The product is supplied power from a separate battery from that used for engine start. This is important to prevent erratic behavior and data loss which can occur if the engine start does not have a separate battery.
- Only Raymarine® specified cables are used.
- Cables are not cut or extended, unless doing so is detailed in the installation instructions.

Note:

Where constraints on the installation prevent any of the above recommendations, always ensure the maximum possible separation between different items of electrical equipment, to provide the best conditions for EMC performance throughout the installation.

Installation

Suppression ferrites

- Raymarine cables may be pre-fitted or supplied with suppression ferrites. These are important for correct EMC performance. If ferrites are supplied separately to the cables (i.e. not pre-fitted), you must fit the supplied ferrites, using the supplied instructions.
- If a ferrite has to be removed for any purpose (e.g. installation or maintenance), it must be replaced in the original position before the product is used.
- Use only ferrites of the correct type, supplied by Raymarine or its authorized dealers.
- Where an installation requires multiple ferrites to be added to a cable, additional cable clips should be used to prevent stress on the connectors due to the extra weight of the cable.

Connections to other equipment

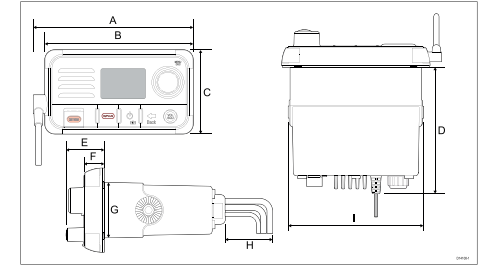
Requirement for ferrites on non-Raymarine cables.

If your product is to be connected to other equipment using a cable not supplied by Raymarine, a suppression ferrite **MUST** always be attached to the end of the cable nearest to the Raymarine product.

3.3 Product dimensions

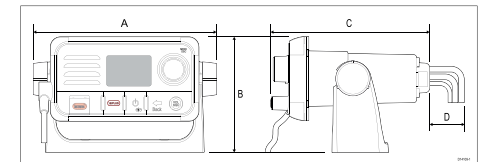
Product dimensions — Ray53

Panel mount dimensions



A	168 mm (6.6 in)
B	156 mm (6.1 in)
C	88.5 mm (3.5 in)
D	134 mm (5.3 in)
E	39.75 mm (1.6 in)
F	21.5 mm 0.85 in)
G	59 mm (2.3 in)
H	25 mm 1.0 in)
I	143.6 mm (5.7 in)

Bracket mount dimensions

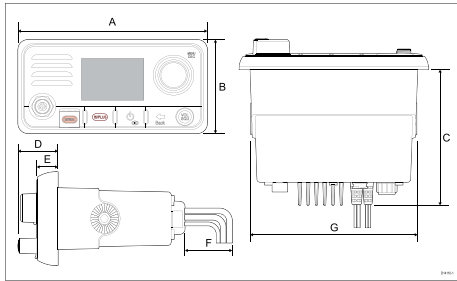




A	192.5 mm (7.6 in)
B	121 mm (4.8 in)
C	173.75 mm (6.8 in)
D	25 mm (1 in)

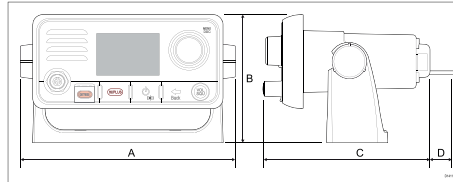
Product dimensions — Ray63 / Ray73

Panel mount dimensions



A	199 mm (7.83 in)
B	98.5 mm (3.88 in)
C	143 mm (5.63 in)
D	61.6 mm (2.43 in)
E	16.6 mm (0.65 in)
F	90 mm (3.54 in)
G	176 mm (6.93 in)

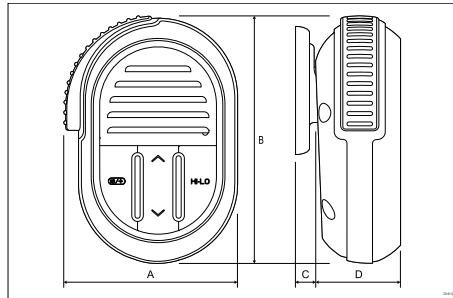
Bracket mount dimensions



A	226 mm (8.89 in)
B	133 mm (5.24 in)
C	204.6 mm (8.05 in)
D	90 mm (3.54 in)

A maximum cable bend radius of 90 mm (3.54 in) is required to allow for the handset cable connector.

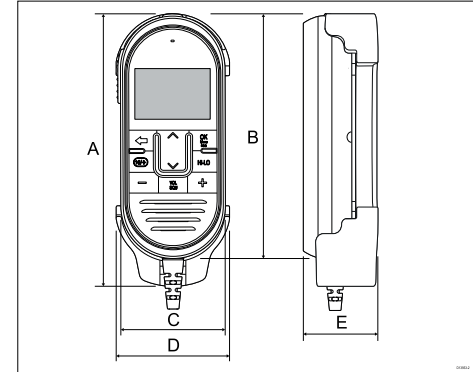
Product dimensions — Fistmic



A	68.5 mm (2.7 in)
B	97.6 mm (3.8 in)
C	8 mm (0.3 in)
D	36 mm (1.4 in)

The Fistmic's fitted, coiled lead can be extended comfortably to approximately 1 meter (3.3 ft.)

Product dimensions - Wired handset (Raymic)



A	167.34 mm (6.59 in)
B	151 mm (5.94 in)
C	66.9 mm (2.63 in)
D	70 mm (2.76 in)
E	46.7 mm (1.84 in)

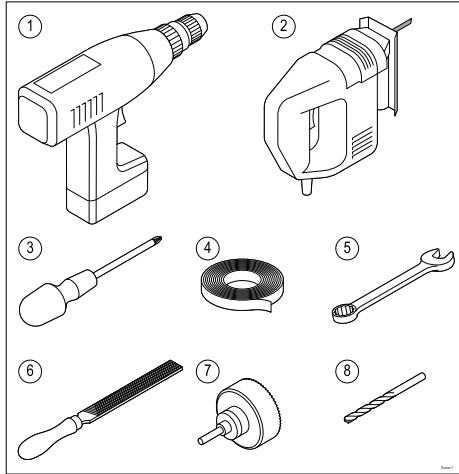
The Handset's fitted, coiled lead can be extended comfortably to approximately 1 meter (3.3 ft.). Ensure sufficient space is available below the desired mounting area to accommodate the cable.





3.4 Mounting

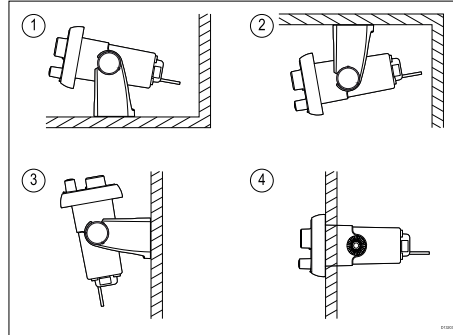
Tools required for installation



1. Power drill
2. Jigsaw for panel mount cut-out
3. Pozi-drive screwdriver
4. Adhesive tape
5. 7 mm (9/32") Wrench (spanner) for bracket mounting fixings
6. File for panel mount cut out
7. Hole saw for panel mounting (For hole saw size refer to your product's mounting template)
8. Drill bit for surface mounting or bracket mounting

Mounting options

The product can be mounted in the following configurations.



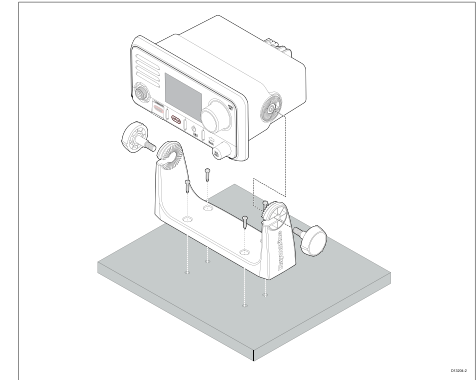
1. Bracket mount — Table top
2. Bracket mount — Overhead
3. Bracket mount — Bulkhead
4. Panel mount

Bracket mounting

Follow the steps below to mount the product on it's bracket.

Before mounting the unit ensure that you have:

- Selected a suitable location, ensuring there is nothing behind the mounting surface that may be damaged when drilling.
- Identified the cable connections and route that the cables will take.
- Attached the front bezel.



1. Mark the location of the bracket mounting holes on the mounting surface.
2. Drill holes for the mounting fixings using a drill with a suitable sized drill bit.
3. Use the fixings provided to attach the bracket securely to the mounting surface.
4. Attach the unit to the bracket and secure in place using the bracket mounting knobs.

Note:

Drill bit, tap size and tightening torque is dependent on the thickness and type of material the unit is to be mounted on.

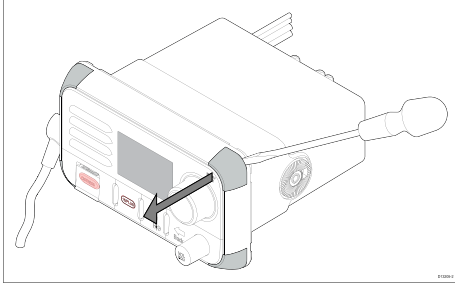




Panel mounting — Ray53

Removing the mounting hole covers

Before the radio can be panel mounted the mounting hole covers must be removed.

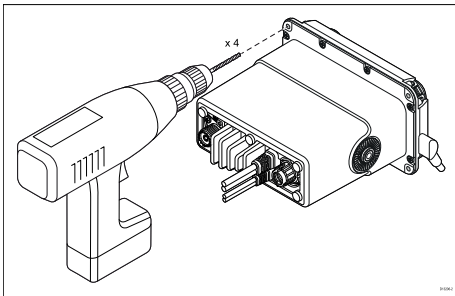


1. Using a flat blade screw driver, insert the tip of the screw driver in the slot between the back of the cover and the unit.
2. Carefully lever the cover forward away from the unit.
3. Repeat steps 1 and 2 for the remaining mounting hole covers.

Drilling out the mounting holes

When panel mounting the radio the mounting holes must be drilled out.

Guides for the mounting holes can be found on the corners of the unit, under the mounting hole covers.



1. Using a drill and a 4 mm (5/32) drill bit, drill out the 4 mounting holes.

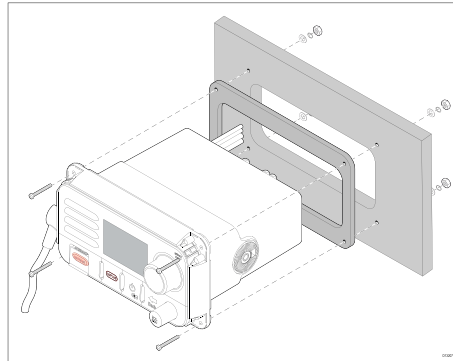
Holes should be drilled from the front of the unit, taking care not to apply too much force to the drill.

Panel mounting

To panel mount the radio follow the steps below.

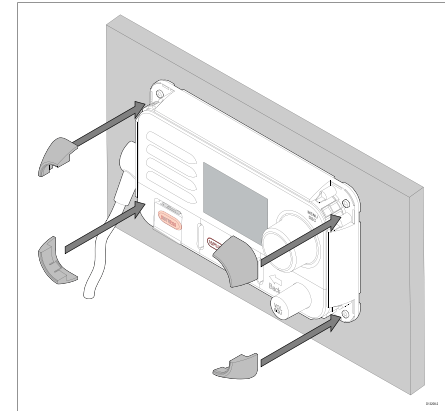
Before mounting the product, ensure that you have:

- Selected a suitable location, ensuring there is nothing behind the mounting surface that may be damaged when drilling / cutting.
- Identified the cable connections and route that the cables will take.
- Removed the mounting hole covers.
- Drilled out the mounting holes on the unit.



1. Check the selected location for the unit. A clear, flat area with suitable clearance behind the panel is required.
2. Fix the supplied mounting template to the selected location, using masking or self-adhesive tape.
3. Using a suitable hole saw (the size is indicated on the template), make a hole in each corner of the cut-out area.

4. Using a suitable saw, cut along the inside edge of the cut-out line.
5. Ensure that the unit fits into the removed area and then file around the rough edge until smooth.
6. Drill 4 holes as indicated on the template to accept the fixings.
7. Remove the backings from the supplied gasket.
8. Place the gasket in position on the back of the unit and press firmly onto the flange.
9. Connect the power, and other cables to the unit.
10. Slide the unit into place and secure using the fixings provided.
11. Attach the mounting hole covers.



Note:

The supplied gasket provides a seal between the unit and a suitably flat and stiff mounting surface or binnacle. The gasket should always be used. It may also be necessary to use a marine-grade sealant if the mounting surface or binnacle is not entirely flat and stiff or has a rough surface finish.



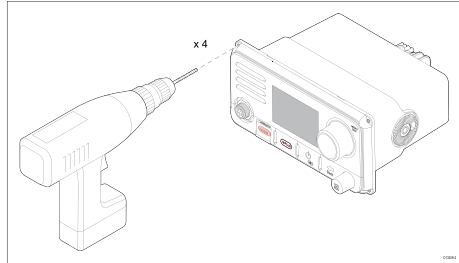


Panel mounting — Ray63 / Ray73

Drilling out the mounting holes

Before panel mounting the Radio the mounting holes must be drilled out.

Guides for the mounting holes can be found in the corners of the unit, under the front bezel.



1. Using a drill and a 4 mm (5/32) drill bit, drill out the 4 mounting holes.

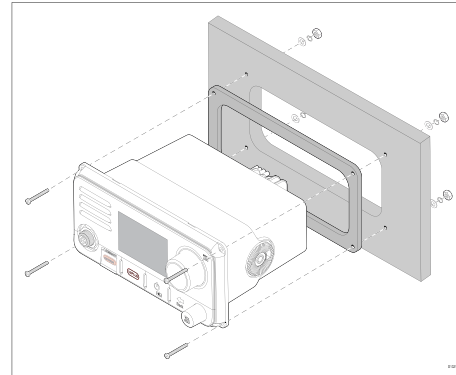
Holes should be drilled from the front of the unit, taking care not to damage the unit by applying too much force to the drill.

Panel mounting

To panel mount the Radio follow the steps below.

Before mounting the product, ensure that you have:

- Selected a suitable location, ensuring there is nothing behind the mounting surface that may be damaged when drilling / cutting.
- Identified the cable connections and route that the cables will take.
- Drilled out the mounting holes on the unit.
- Removed the front bezel.



1. Check the selected location for the unit. A clear, flat area with suitable clearance behind the panel is required.
2. Fix the supplied mounting template to the selected location, using masking or self-adhesive tape.
3. Using a suitable hole saw (the size is indicated on the template), make a hole in each corner of the cut-out area.
4. Using a suitable saw, cut along the inside edge of the cut-out line.
5. Ensure that the unit fits into the removed area and then file around the rough edge until smooth.
6. Drill 4 holes as indicated on the template to accept the fixings.
7. Remove the backings from the supplied gasket.
8. Place the gasket in position on the back of the unit and press firmly onto the flange.
9. Connect the power, and other cables to the unit.
10. Slide the unit into place and secure using the fixings provided.
11. Attach the front bezel.

Note:

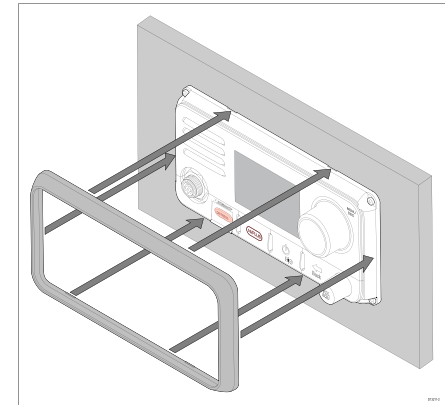
The supplied gasket provides a seal between the unit and a suitably flat and stiff mounting surface or binnacle. The gasket should always be used. It may also be necessary to use a marine-grade sealant if the mounting surface or binnacle is not entirely flat and stiff or has a rough surface finish.

Attaching the front bezel

After installation of the Radio the front bezel can be attached following the steps below.

The following procedure assumes that the unit has already been mounted in position.

1. Orientate the bottom-right side of the bezel under the bottom-right side of the unit, ensuring that the clips along the bottom edge of the bezel latch into position.



2. Ensure the bezel is correctly aligned with the unit, as shown.
3. Apply firm but even pressure to the bezel along the:
 - i. Outer edges - work from the sides upwards and then along the top edge, to ensure that it clips securely into position.
 - ii. Inner edges - ensure that the bezel sits flat.
4. Check that all control buttons are free to operate.



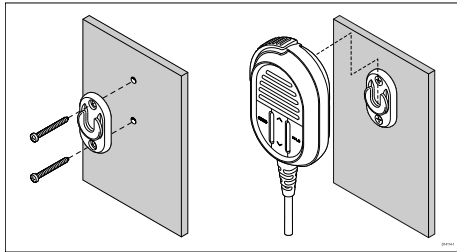


Fistmic mounting

The Fistmic can be mounted by following the steps below. Whilst only the Fistmic is pictured, you can also mount the Handset using the same Hook plate (mounting clip).

Before mounting the unit, ensure that you have:

- Selected a suitable location, ensuring there is nothing behind the mounting surface that may be damaged when drilling.
- Identified the cable connections and route that the cables will take.



1. Check the selected location for the Hook plate, a clear flat area is required, with sufficient space around it to place and remove the Fistmic / Handset and coiled cable.
2. Using a pencil, offer up the Hook plate to the desired location and mark the location of the screw holes on the mounting surface.
3. Drill the mounting holes using a suitable size drill bit.
4. Hold the Hook plate in place and secure using the screws provided.
5. Hook the Fistmic / Handset over the Hook plate and gently push down until it clicks into position.

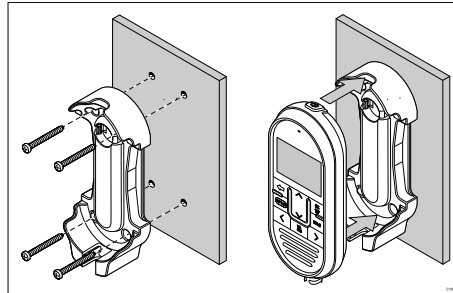
Important:

- The Fistmic can only be hooked and unhooked from the Hook plate when held vertically.
- Drill bit, tap size and tightening torque is dependent on the thickness and type of material the unit is to be mounted on.

Handset (wired) mounting using the holster

Follow the steps below to mount the Wired handset (also known as thew Raymic).

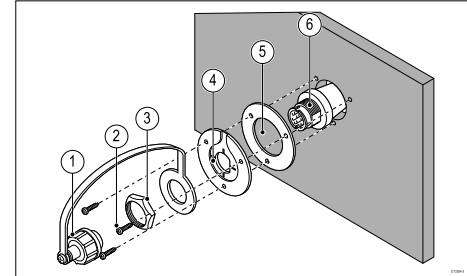
Before mounting, ensure that your selected location meets the location requirements found in this document.



1. Check the selected location for the mounting holster, a clear flat area is required, with sufficient space around it to place and remove the Handset.
2. Using a pencil, offer up the holster to the desired location and mark the location of the screw holes on the mounting surface.
3. Drill the mounting holes using a suitable size drill bit.
4. Hold the holster in place and secure using the screws provided.
5. Place the Handset into the holster until it clicks into position.

Pass-through panel kit mounting

When installing handsets, the pass-through panel kit should be used to secure the cable's connector to the panel the cable has to pass through.



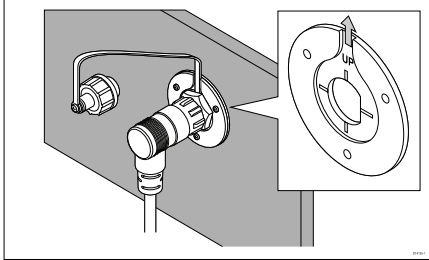
1	Splash-proof dust cap with lanyard
2	Mounting plate fixings x 3
3	Mounting plate nut
4	Mounting plate
5	Mounting plate gasket
6	Extension cable

1. Check the selected location for the Mounting plate, a clear flat area is required.
2. Ensuring correct orientation of the mounting plate, offer up the plate to the desired location and mark





the location of the screw holes and the center hole on the mounting panel.



Note:

Drill bit, tap size and tightening torque is dependent on the thickness and type of material the unit is to be mounted on.

To ensure that the handset's connector points down when connected, orientate the mounting plate so that the lanyard groove is pointing straight up.

3. Drill the mounting holes using a suitable size drill bit.
4. Drill the center hole using a 25 mm (1 in.) hole cutting saw.
5. Pull the connector end of the cable through the hole in the mounting surface.
6. Place the Mounting plate gasket over the end of the connector.
7. With the recessed side facing away from the mounting panel, place the Mounting plate over the end of the connector.
8. Place the lanyard end of the Splash-proof dust cap over the connector, ensuring the lanyard sits in the recess in the Mounting plate.
9. Place the Mounting plate nut over the connector and tighten clockwise using a 13/16 in. (21 mm) socket wrench, being careful not to damage the plastic nut by overtightening.
10. Secure the Mounting plate to the mounting surface using the supplied screws.
11. Attach the Handset / Fismic connector to the cable connector and rotate the locking collar clockwise to secure.
12. Connect the opposite end of the cable to the required connector either on the Base station or to another pass-through panel mounting plate connector.

Installation







Chapter 4: Cables and connections

Chapter contents

- 4.1 General cabling guidance on page 32
- 4.2 Connections overview — Ray53 on page 33
- 4.3 Connections overview — Ray63 / Ray73 on page 33
- 4.4 Power connection on page 34
- 4.5 Fistmic connection (Ray63 / Ray73 only) on page 36
- 4.6 Secondary handset station (Ray63 / Ray73 only) on page 36
- 4.7 SeaTalkng[®] / NMEA 2000 connection on page 37
- 4.8 NMEA 0183 connection on page 37
- 4.9 Connecting a VHF antenna on page 38
- 4.10 GNSS (GPS) antenna connection on page 38
- 4.11 Passive speaker connection on page 38
- 4.12 Loud hailer connection (Ray73 only) on page 39





4.1 General cabling guidance

Cable types and length

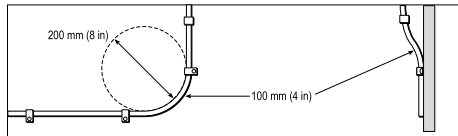
It is important to use cables of the appropriate type and length

- Unless otherwise stated use only standard cables of the correct type, supplied by Raymarine.
- Ensure that any non-Raymarine cables are of the correct quality and gauge. For example, longer power cable runs may require larger wire gauges to minimize voltage drop along the run.

Routing cables

Cables must be routed correctly, to maximize performance and prolong cable life.

- Do NOT bend cables excessively. Wherever possible, ensure a minimum bend diameter of 200 mm (8 in) / minimum bend radius of 100 mm (4 in).



- Protect all cables from physical damage and exposure to heat. Use trunking or conduit where possible. Do NOT run cables through bilges or doorways, or close to moving or hot objects.
- Secure cables in place using tie-wraps or lacing twine. Coil any extra cable and tie it out of the way.
- Where a cable passes through an exposed bulkhead or deckhead, use a suitable watertight feed-through.
- Do NOT run cables near to engines or fluorescent lights.

Always route data cables as far away as possible from:

- other equipment and cables,
- high current carrying AC and DC power lines,

- antennas.

Strain relief

Ensure adequate strain relief is provided. Protect connectors from strain and ensure they will not pull out under extreme sea conditions.

Circuit isolation

Appropriate circuit isolation is required for installations using both AC and DC current:

- Always use isolating transformers or a separate power-inverter to run PC's, processors, displays and other sensitive electronic instruments or devices.
- Always use an isolating transformer with Weather FAX audio cables.
- Always use an isolated power supply when using a 3rd party audio amplifier.
- Always use an RS232/NMEA converter with optical isolation on the signal lines.
- Always make sure that PC's or other sensitive electronic devices have a dedicated power circuit.

Cable shielding

Ensure that all cables are properly shielded and that the cable shielding is undamaged.

Connections to other equipment

Requirement for ferrites on non-Raymarine cables

If your Raymarine equipment is to be connected to other equipment using a cable not supplied by Raymarine, a suppression ferrite MUST always be attached to the cable near the Raymarine unit.

Dust caps

To prevent potential water ingress, connectors not in use should be protected using the supplied dust caps.

Bare end wire connections

Your product is supplied with bare end wire connections. You must ensure that ALL bare end wires are adequately protected from short circuit and water ingress.

Bare ended wire connections

It is recommended that bare ended wire connections are made by soldering or using crimp connectors and then protected by wrapping the connection in insulation tape.

Unused bare ended wires

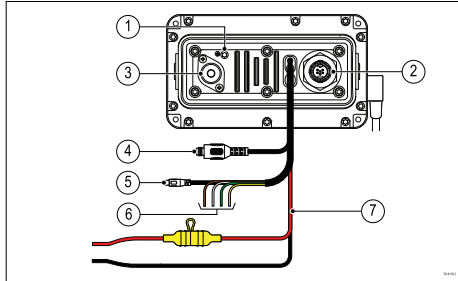
Any unused bare ended wires should be folded back and wrapped in insulation tape.





4.2 Connections overview — Ray53

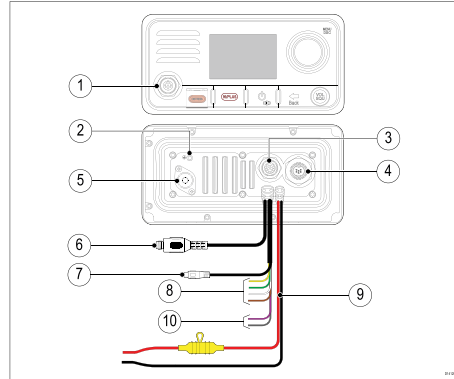
The following connections are available on the Ray53.



1. Grounding point — DO NOT USE!
2. SeaTalkng® connection.
3. SO239 VHF antenna connection.
4. TNC external GNSS (GPS) antenna connection.
5. RCA Audio connection.
6. NMEA 0183 connection.
7. Power supply connection.

4.3 Connections overview — Ray63 / Ray73

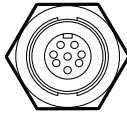
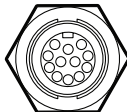
The following connections are available on the Ray63 and Ray73.



1. Primary station (8 pin) connection.
2. Grounding point — DO NOT USE!
3. Second station (12 pin) connection.
4. SeaTalkng® connection.
5. SO239 VHF antenna connection.
6. TNC GNSS (GPS) connection.
7. RCA Audio connection.
8. NMEA 0183 connection.
9. Power supply connection.
10. Loud hailer connection (Ray73 only).

Primary and secondary station connectors

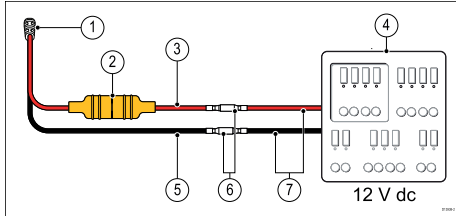
The connectors below are used to connect the supplied Fistic and / or the optional Wired (Raymic) handset to the Base station.

Connector	Description	Connects to
	Primary station connector (8 pin front Fistic connector)	<ul style="list-style-type: none"> • Fistic (supplied)
	Secondary station connector (12 pin rear handset connector)	<ul style="list-style-type: none"> • Wired handset • Wired handset via Handset extension cables (A80291, A80292, A80290). • Fistic via Fistic adaptor cable (A80296) • Wired handset via Handset adaptor cable (A80297)



4.4 Power connection

The power supply should be connected as shown below:



1. Radio's fitted power cable.
2. In-line fuse.
3. Power supply positive (+) Red wire
4. 12 V dc power source (i.e.: Distribution panel).
5. Power supply negative (-) Black wire.
6. Suitable waterproof connection (Radio is supplied with bullet crimps on power supply wires.)
7. If, required you can extend the power cable supplied with your radio, using suitably rated cabling.



Warning: 12 Volt dc only

This product must only be connected to a **12 volt dc** power source.



Warning: Positive ground systems

Do not connect this unit to a system which has positive grounding.

In-line fuse and thermal breaker ratings

The following in-line fuse and thermal breaker ratings apply to your product:

In-line fuse rating	Thermal breaker rating
10 A	7 A (if only connecting one device)

Note:

- The suitable fuse rating for the thermal breaker is dependent on the number of devices you are connecting. If in doubt consult an authorized **Raymarine®** dealer.
- Your product's power cable may have a fitted in-line fuse. If not, add an in-line fuse to the positive wire of your product's power connection.

Grounding

This product is grounded through the 0 V dc negative wire on the power cable and does not require a drain (shield) to be connected to the base station's ground terminal.



Warning: Chassis grounding

Do NOT ground this product using the chassis ground terminal.

Grounding this product to a vessel's RF ground may cause galvanic corrosion.

Power distribution

Recommendations and best practice.

- The product is supplied with a power cable, either as a separate item or a captive cable permanently attached to the product. Only use the power cable supplied with the product. Do NOT use a power cable designed for, or supplied with, a different product.

- Refer to the *Power connection* section for more information on how to identify the wires in your product's power cable, and where to connect them.
- See below for more information on implementation for some common power distribution scenarios.

Important:

When planning and wiring, take into consideration other products in your system, some of which (e.g. sonar modules) may place large power demand peaks on the vessel's electrical system, which may impact the voltage available to other products during the peaks.

Note:

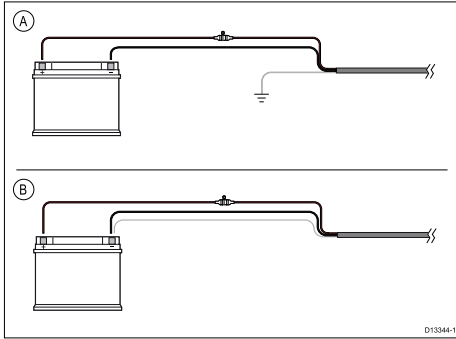
The information provided below is for guidance only, to help protect your product. It covers common vessel power arrangements, but does NOT cover every scenario. If you are unsure how to provide the correct level of protection, please consult an authorized Raymarine dealer or a suitably qualified professional marine electrician.

Implementation — direct connection to battery

- The power cable supplied with your product may be connected directly to the vessel's battery, via a suitably rated fuse or breaker.
- The power cable supplied with your product may NOT include a separate drain wire. If this is the case, only the power cable's red and black wires need to be connected.
- If the supplied power cable is NOT fitted with an inline fuse, you MUST fit a suitably rated fuse or breaker between the red wire and the battery's positive terminal.
- Refer to the inline fuse ratings provided in the product's documentation.
- If you need to extend the length of the power cable supplied with your product, ensure you observe the



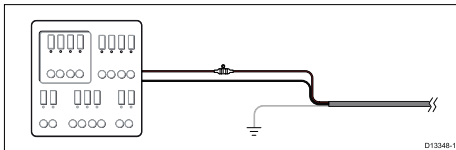
dedicated *Power cable extensions* advice provided in the product's documentation.



D113346-1

A	Battery connection scenario A: suitable for a vessel with a common RF ground point. In this scenario, if your product's power cable is supplied with a separate drain wire then it should be connected to the vessel's common ground point.
B	Battery connection scenario B: suitable for a vessel without a common grounding point. In this case, if your product's power cable is supplied with a separate drain wire then it should be connected directly to the battery's negative terminal.

Implementation — connection to distribution panel

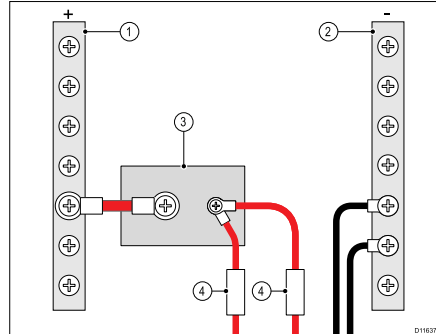


D113346-1

- Alternatively, the supplied power cable may be connected to a suitable breaker or switch on the vessel's distribution panel or factory-fitted power distribution point.

Cables and connections

- The distribution point should be fed from the vessel's primary power source by 8 AWG (8.36 mm²) cable.
- Ideally, all equipment should be wired to individual suitably-rated thermal breakers or fuses, with appropriate circuit protection. Where this is not possible and more than 1 item of equipment shares a breaker, use individual in-line fuses for each power circuit to provide the necessary protection.



D11637-2

1	Positive (+) bar
2	Negative (-) bar
3	Circuit breaker
4	Fuse

- In all cases, observe the recommended breaker / fuse ratings provided in the product's documentation.

Important:

Be aware that the suitable fuse rating for the thermal breaker or fuse is dependent on the number of devices you are connecting.

Power cable extension

If you need to extend the length of the power cable supplied with your product, ensure you observe the following advice:

- The power cable for each unit in your system should be run as a separate, single length of 2-wire cable from the unit to the vessel's battery or distribution panel.
- For power cable extensions, a **minimum** wire gauge of 16 AWG (1.31 mm²) is recommended. For cable runs longer than 15 meters, you may need to consider a thicker wire gauge (e.g. 14 AWG (2.08 mm²), or 12 AWG (3.31 mm²)).
- An important requirement for all lengths of power cable (including any extension) is to ensure that there is a continuous **minimum** voltage at the product's power connector of 10.8 V dc, with a fully flat battery at 11 V dc.

Important: Be aware that some products in your system (such as sonar modules) can create voltage peaks at certain times, which may impact the voltage available to other products during the peaks.

Grounding

Ensure that you observe any separate grounding advice provided in the product's documentation.

More information

It is recommended that best practice is observed in all vessel electrical installations, as detailed in the following standards:

- BMEA Code of Practice for Electrical and Electronic Installations in Boats
- NMEA 0400 Installation Standard
- ABYC E-11 AC & DC Electrical Systems on Boats
- ABYC A-31 Battery chargers and Inverters
- ABYC TE-4 Lightning Protection

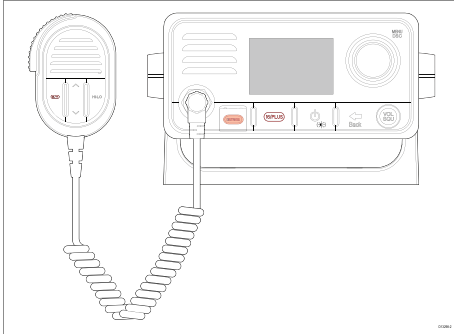
35





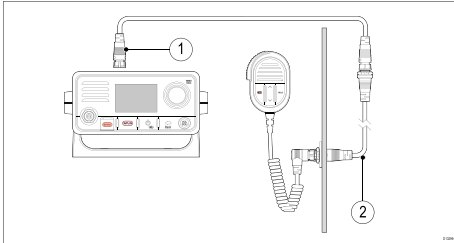
4.5 Fistic connection (Ray63 / Ray73 only)

Front connection



The Fistic can be connected directly to the front connector on your Radio.

Rear connection



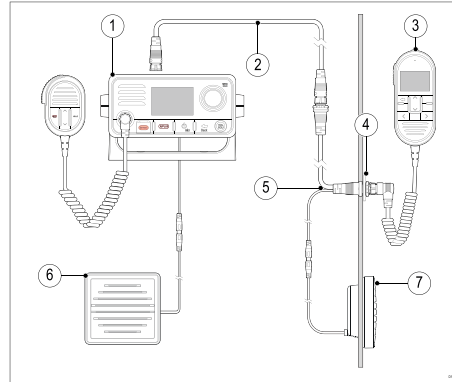
1. Handset extension cable (A80291)
2. Fistic adaptor cable (A80296)

The Fistic can also be connected to the Rear station connection using the appropriate adaptor cables.

The Fistic must NOT be used to create a second station, as the operator will not have access to all Radio functions or the information displayed on the Radio's LCD screen.

4.6 Secondary handset station (Ray63 / Ray73 only)

The Raymic handset accessory can be connected to the Secondary station connector located on the rear of the radio, this will create a second fully functional station.



1. Primary station (Radio base station)
2. Handset extension cable (A80290, A80291 or A80292)
3. Secondary station handset (A80289)
4. Panel mount fixings kit (R70438)
5. Handset adaptor cable with RCA audio (A80297)
6. Primary station passive speaker (A80542)
7. Secondary station passive speaker (A80542)

The Fistic must NOT be used to create a second station, as the operator will not have access to all Radio functions or the information displayed on the Radio's LCD screen.

Handset extension cables

Handset station cabling can be extended using approved extension cables.

The maximum length of cable from the Handset to the Base station should not exceed 50 m (164 ft)

Connecting handsets and cables

Follow the steps below to connect handsets and extension cables together.

1. If fitted, unscrew and remove the dust cap from the relevant connector.
2. Ensure the cable connectors are correctly orientated, before insertion.
3. Ensure connectors are fully inserted, before locking..
4. Tighten locking collars by Rotating clockwise.





4.7 SeaTalkng® / NMEA 2000 connection

Your product can transmit and receive data to and from devices connected on SeaTalkng® or NMEA 2000 CAN bus networks. Connection is established using the SeaTalkng® connector located on the rear of the unit.

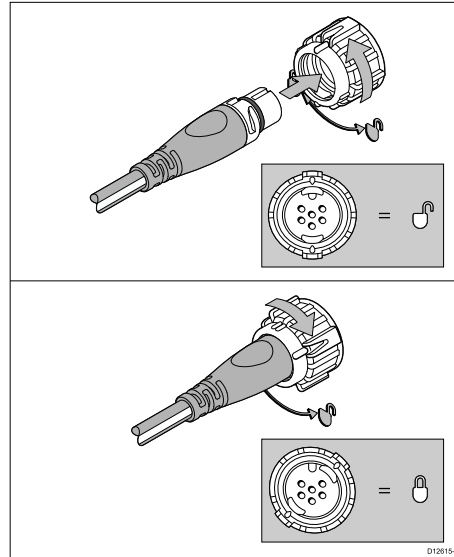


1. Use the supplied SeaTalkng® spur cable to connect your product to your SeaTalkng® network.
2. You can also use a DeviceNet to SeaTalkng® adaptor cable (not supplied) to connect your product to an available spur on a NMEA 2000 network.

Note:

1. The product must be connected to a correctly terminated backbone.
2. You cannot connect your product directly to a MFD.
3. Refer to the instructions supplied with your SeaTalkng® / NMEA 2000 device for details on creating a backbone.

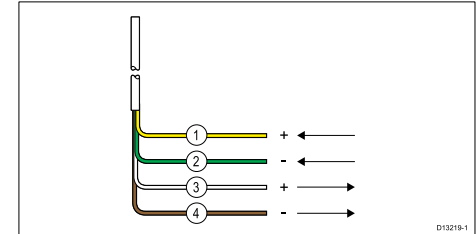
Connecting SeaTalkng® cables



1. Rotate the locking collar so it is in the unlocked position.
2. Ensure the cable's connector is correctly oriented.
3. Fully insert the cable connector.
4. Rotate locking collar clockwise (2 clicks) until it is in the locked position.

4.8 NMEA 0183 connection

The NMEA 0183 wires can be used to connect the unit to a NMEA 0183 GNSS (GPS) receiver or MFD.



1. Yellow = Receive positive (+) wire
2. Green = Receive negative (-) wire
3. White = Transmit positive (+) wire
4. Brown = Transmit negative (-) wire

The NMEA wires should be connected to a compatible device as shown in the table below:

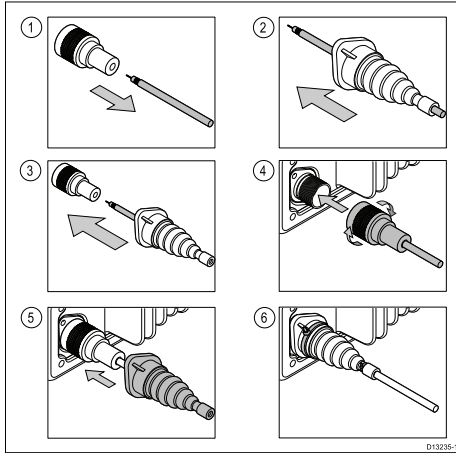
NMEA 0183 wires		NMEA 0183 device
Receive positive (+)	to	Transmit positive (+)
Receive negative (-)	to	Transmit negative (-)
Transmit positive (+)	to	Receive positive (+)
Transmit negative (-)	to	Receive negative (-)





4.9 Connecting a VHF antenna

The radio must be connected to a suitable VHF antenna (not supplied). The antenna connection must be protected so it cannot come into contact with any bare metal (which may be grounded). A protective boot is supplied that can be used to ensure isolation of the antenna connection.



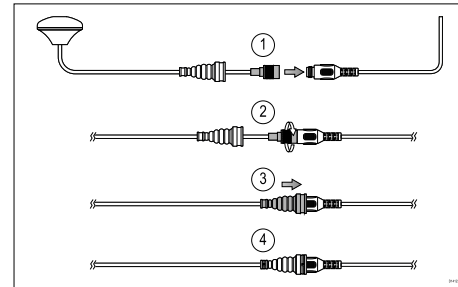
1. Disconnect your antenna cable from the connector.
2. Push the antenna cable through the supplied protective boot.
3. Re-connect the antenna cable to the connector.
4. Plug the antenna connector into the product's antenna connection and secure by tightening the locking collar.
5. Push the protective boot over the connection.
6. Secure the protective boot using the supplied cable ties.

If the antenna connector cannot be removed then another suitable means of protection must be used, such as insulation tape.

38

4.10 GNSS (GPS) antenna connection

You can improve the performance of your radio's built-in GNSS (GPS) receiver using an external antenna.

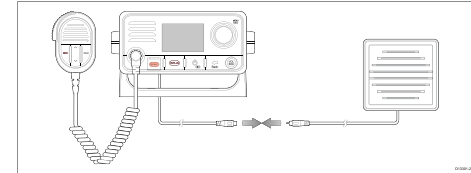


Follow the steps below to connect the external antenna:

1. Remove the dust cap from the external antenna connector on your radio. Ensuring correct connector orientation, fully insert the external antenna connector into the GA150's connector.
2. Tighten the antenna connector's metal sleeve by rotating the GA150's connector clockwise until tight.
3. Push the protective sleeve into position over both connectors.
4. Secure the protective boot using a cable tie on each end.

4.11 Passive speaker connection

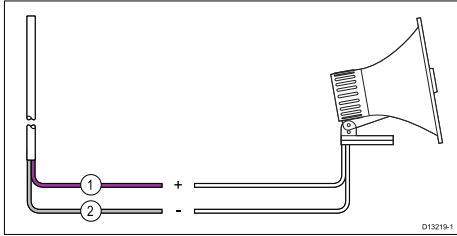
A passive speaker (A80542) can be connected using the RCA lead on the radio or on the handset adaptor cable.





4.12 Loud hailer connection (Ray73 only)

A Loud hailer (M95435) can be connected to the radio using the loud hailer wires.



1	Positive (+) hailer wire (Purple)
2	Negative (-) hailer wire (Gray)







Chapter 5: Getting started

Chapter contents

- 5.1 Controls and interface on page 42
- 5.2 Handset controls on page 42
- 5.3 Powering the unit on on page 43
- 5.4 Powering the unit off on page 44
- 5.5 Homescreen overview on page 44
- 5.6 Shortcut list on page 46
- 5.7 Shared Brightness on page 47
- 5.8 Initial startup on page 47
- 5.9 Accessing the menu on page 48
- 5.10 Selecting a language on page 48
- 5.11 Switching on the AIS receiver on page 48
- 5.12 Selecting a network type on page 49
- 5.13 Entering your MMSI number on page 49
- 5.14 Entering your ATIS ID on page 50
- 5.15 Changing the radio region on page 51
- 5.16 Switching between high and low transmit power on page 51
- 5.17 GNSS (GPS) set up on page 51
- 5.18 Station priority (Ray63 and Ray73 only) on page 52

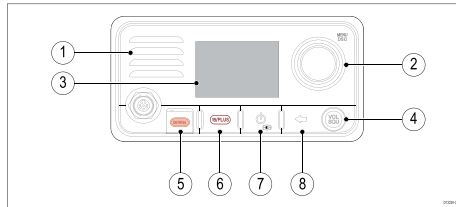




5.1 Controls and interface

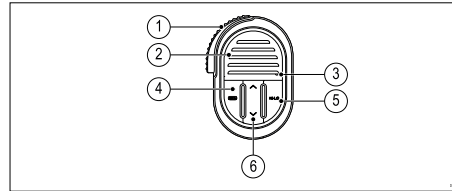
The controls and interface available are as follows:

Base station



1. **Built-in speaker**
2. **Rotary knob** with center **OK** push button — Press knob in to access menu and DSC functions and to confirm selections. Turn rotary clockwise or anti-clockwise to move up and down through menu items or to change channel from the Homescreen.
3. **LCD**
4. **VOL/SQ** — Turn knob to adjust volume or squelch up and down. Press center button to switch between volume and squelch control.
5. **DISTRESS** — Push up the spring loaded cover and press this button to make a DSC distress call.
6. **16 / +** — When powered on press to switch between priority channels.
7. **Power** — Press to power the unit on. Press and hold for 3 seconds to power the unit off. Momentary press to access the shortcut list.
8. **Back** — Move back through menu options.

Fistmic



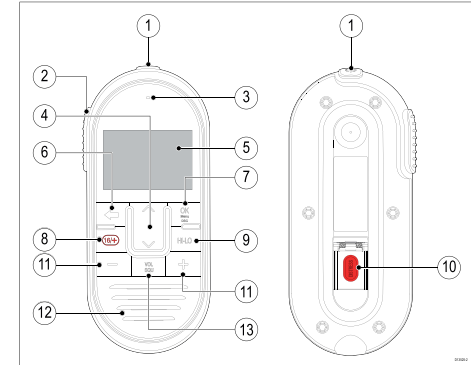
1. **PTT (Push to Talk)** — Press and hold to send a voice message. Release to return to receive mode.

Note: The maximum transmit time is limited to 5 minutes to prevent un-intentional transmissions from occupying the VHF channel.

2. **Speaker**
3. **Microphone location**
4. **16 / +** — When powered on press to switch between priority channels.
5. **HI/LO** — Press to switch between High (25 W) and low (1 W) transmit power.
6. **Channel Up / Channel Down** — Changes the channel up or down.

5.2 Handset controls

The Handset's controls are shown below.



1. **Power** — Press to power the handset on. Press and hold for 3 seconds to power the handset off. Momentary press to access the shortcut list.
2. **PTT (Push to Talk)** — Press and hold to send a voice message. Release to return to receive mode.

Note: The maximum transmit time is limited to 5 minutes to prevent un-intentional transmissions from occupying the VHF channel.

3. **Microphone location**
4. **Channel Up** and **Channel Down** — Changes to the next or previous VHF channel, also used to select or adjust setting options in the menu.
5. **LCD screen**
6. **Back** — Go to the previous menu/screen. Press and hold to return to the Homescreen.
7. **OK / menu button** — Press button to access menu / DSC functions and to confirm selections.
8. **16 / +** — When powered on press to switch between priority channels.





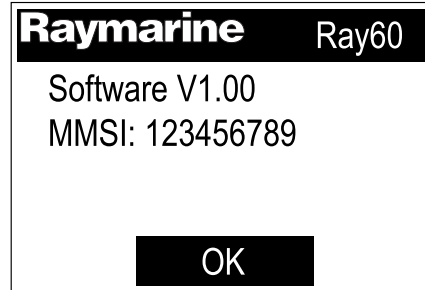
9. **HI/LO** — Press to switch between High (25 W) and low (1 W) transmit power.
10. **DISTRESS** — Lift up the spring loaded cover and press this button to make a DSC distress call.
11. **Volume Up** and **Volume Down** — Press to adjust volume or squelch up or down.
12. **Built-in speaker**
13. **VOL/SQ** — Press button to switch between volume and squelch control.

5.3 Powering the unit on

With the radio connected to a power supply the power button is used to switch the radio on and off.

1. Press the **Power** button to power-up the radio.

The startup is displayed.



The startup screen will automatically time-out after 5 seconds.

2. Press the **OK** button, or wait for the startup screen to time-out.

The Homescreen is displayed.

Powering the handset

To power the Handset on and off follow the steps below.



With the Base station powered On:

1. Press and hold the **Power** button, located on the top of the Handset, for 2 seconds.
The Handset will power on.
2. To power off the Handset, press and hold the **Power** button for approximately 3 seconds, until the screen turns off.





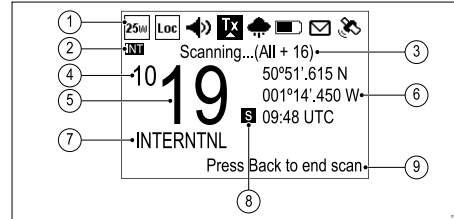
5.4 Powering the unit off

With the unit powered on:

1. Press and hold the **Power** button for approximately 3 seconds to power the unit off.

5.5 Homescreen overview

The information below describes the on-screen characters and symbols which are shown on the Homescreen..



1. **Status bar** — The status bar displays symbols which indicate the current status of the unit.
2. **Frequency band** — Indicates which channel frequency band is in use:
 - USA — United States of America
 - INT — International
 - CAN — Canada
 - WX — Weather

Note: Special licensing is required to receive USA and Canadian channel sets.

3. **Status text** — Indicates the current radio mode e.g.: ATIS Mode active, Weather Alert, Scan mode etc.
4. **New 4 digit channels** — Identifies the first 2 digits when the radio is set to one of the new 4 digit simplex channels.
5. **Channel** — Indicates the current channel number, or the last 2 digits when set to a 4 digit channel..
6. **Location / Time** or **Location / COG/SOG** — Depending on selection displays Location coordinates and current time or Location coordinates and current COG and SOG.
7. **Channel Name** — Indicates the name of the current channel.
8. **Channel type** — Indicates the type of channel:

- **s** = Simplex — Simplex channels transmit and receive on the same frequency.
- **d** = Duplex — Duplex channels use separate frequencies to transmit and receive.

9. **Optional text** — Provides extra user guidance.

Status bar symbols

The status bar is used to display symbols that indicate the radio's status.

Symbol	Name	Description
	Low power	Indicates the radio transmitters is in low power (1 watt) or high power (25 watt) mode
	High power	
	Local	Indicates the radio is in local reception mode, which decreases receiver sensitivity in high traffic areas to decrease unwanted reception
	Fog horn	Indicates that the radio is in Fog horn mode.
	Transmit	Indicates the radio is currently transmitting (e.g. the PTT button is being pressed.)

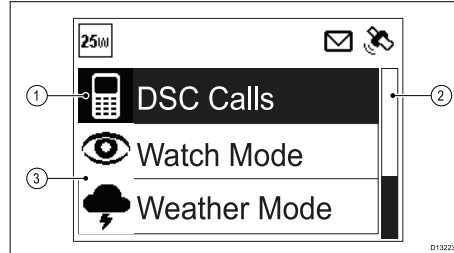




Symbol	Name	Description
	Receive	Indicates the radio is currently receiving a transmission
	Weather	Indicates that the weather alerts mode is activated.
	Power supply voltage too low	Indicates the power supply to the radio is below the specified operating voltage.
	Power supply voltage too high	Indicates the power supply to the radio is above the specified operating voltage.
	DSC	Indicates that a DSC call has been received
	GPS Fix	Indicates if the radio has a GPS/GNSS fix.

Main menu overview

The main menu is accessed by Pressing the **OK** button from the **Homescreen**.



1. Currently selected menu item
2. Scroll bar
3. Menu items



The main menu includes the following items:

Symbol	Name	Sub-options
	* DSC Calls	<ul style="list-style-type: none"> • Individual call • Distress call • Position request • Group call • All ships call • Phonebook • Call logs • Test call • DSC set-up
	* Watch Mode	<ul style="list-style-type: none"> • Dual watch • Triple watch • 2nd priority channel

Symbol	Name	Sub-options
	* Weather Mode	<ul style="list-style-type: none"> • Weather Homescreen
	* Scan Mode	<ul style="list-style-type: none"> • All channels • All channels + 16 • Saved channels • Saved channels + 16 • Edit saved channels
	** Hail/Fog/Intercom	<ul style="list-style-type: none"> • Hailer • Fog horn • Intercom
	** Hailer/Fog horn	<ul style="list-style-type: none"> • Hailer • Fog horn





Symbol	Name	Sub-options
	** Intercom	<ul style="list-style-type: none"> • Intercom
	Set-up	<ul style="list-style-type: none"> • Display set-up • Language • Units • Power output • Sensitivity • Noise cancelling (Tx) • ** Wireless set-up • Handset name • Key beep • Channel set-up • Weather alerts • GPS set-up • DSC set-up • AIS • Network output • ATIS set-up • Maintenance

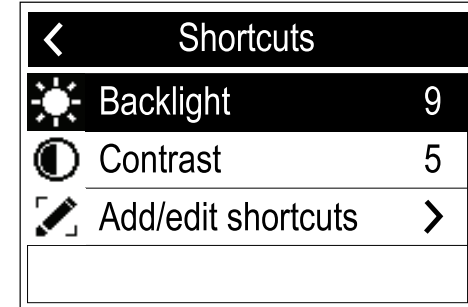
Note:

* Menu items not available when radio has ATIS enabled or if the radio has been pre-programmed in MARCOM-C mode.

** Menu only available when compatible accessories are connected.

5.6 Shortcut list

Pressing the **Power** button once while the radio is switched on will open the **Shortcuts list**. The Shortcuts list can be used to adjust the brightness, contrast and access frequently used functions.



Frequently used functions can be added by selecting **Add/edit shortcuts**.

Adjusting Brightness and Contrast

The LCD Brightness (Backlight) and Contrast can be adjusted using the Shortcuts list.

From any screen:

1. Press the **Power** button.
2. Select **Backlight** or **Contrast**.
3. Adjust the Backlight or Contrast to the desired level using:
 - i. **Channel Up / Channel Down** buttons on a connected Handset.
 - ii. **Rotary knob** on the Base station.
4. Press the **Back** button to return to the previous screen.

The Backlight and Contrast settings can also be accessed from the Display set-up menu: **Menu > Set-up > Display set-up**.



5.7 Shared Brightness

You can set up Shared Brightness groups which enables simultaneous brightness adjustment of all units that are part of the same group.

The following products are compatible with Shared Brightness:

- LightHouse™ 3 MFDs using software version 3.4 or greater.
- LightHouse™ or LightHouse™ 2 powered MFDs.
- SeaTalkng® Instrument displays and Pilot controllers.
- SeaTalkng® VHF DSC Radios.

Any adjustments to the Shared Brightness level will be reflected on all units assigned to the same group.



Multiple brightness groups can be configured. These groups could be used to reflect the physical location of units on your vessel. For example, the units at your helm can be set to one group, and the units on the flybridge can be set to a different group.

Shared Brightness requires:

- all units to be compatible with the Shared Brightness function (see list of compatible units above).
- the **Shared brightness** setting set to On for all units in the brightness group.
- units to be assigned to Network Groups.
- all the displays in that group to be synchronized.

Enabling Shared Brightness

From the **Display Set-up** menu: (**Menu > Set-up > Display Set-up**).

1. Select **Shared Brightness**.
2. Select **Shared Brightness** again to enable Shared Brightness.

If Shared Brightness is already enabled then selecting this menu item will disable Shared Brightness.

3. Select **Group**.
4. Select the group that you want to assign the radio to.

Adjusting the Brightness setting will now change the brightness of all products assigned to that group.

5.8 Initial startup

Unless your radio has been pre-programmed; the first time you power-up your radio you will be requested to select certain options. With the exception of your MMSI and ATIS ID, you will also be requested to enter these options after a factory reset.

After acknowledging the startup screen, unless previously set you will be prompted to make the following selections:

1. **Language selection** — See [5.10 Selecting a language](#) for available languages.
2. **Turn on AIS reception (Ray70 and Ray91 only)** — Enables the built-in AIS receiver. This step is only applicable to radios with a built-in AIS receiver. See [5.11 Switching on the AIS receiver](#) for more information.
3. **Select network type** — Selects which connection to transmit AIS and DSC information on, to connected equipment. This step is only applicable if the AIS receiver was turned on in the previous step. See [5.12 Selecting a network type](#) for available options.
4. **Enter MMSI number** — Required to enable DSC functions. This option is not required after a factory reset, or if the radio has been pre-programmed in MARCOM-C mode, or has ATIS enabled. See [5.13 Entering an MMSI number](#) for more information. If not already selected you will also be prompted to select your network type.
5. **Enter ATIS ID** — Required when the radio will be used in the inland waterways of Europe. This step is only applicable if the radio has been pre-programmed in MARCOM-C mode. See [5.14 Entering an ATIS ID](#) for more information.
6. **Frequency band selection** — Sets the relevant channels for your region. This step is not applicable if the radio has been pre-programmed in MARCOM-C mode. See [5.15 Changing the radio region](#) for more information.

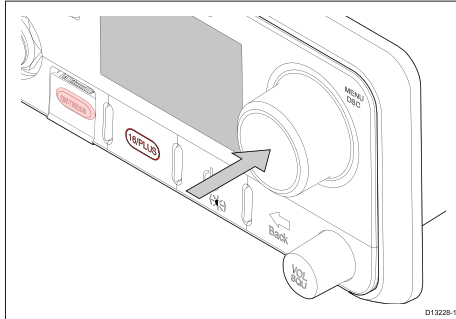
Getting started





5.9 Accessing the menu

The radio's various options and settings are contained within the menu.



From the Homescreen.

1. Press the **Rotary knob's OK** push button.

5.10 Selecting a language

The language the radio uses can be changed.

From the Main menu:

1. Select **Set-up**.
2. Select **Language**.

The languages available are:

- **English (default)** — English
- **Español** — Spanish
- **Français** — French
- **Deutsch** — German
- **Italiano** — Italian

3. Select the language that you want the radio to be set to.

The User interface language is changed to the selected language.

5.11 Switching on the AIS receiver

If your radio includes a built-in AIS receiver then it can be enabled and disabled as follows:

From the Main menu:

1. Select **Set-up**.
2. Select **AIS**.
3. Select **On** to switch the receiver on, or select **Off** to switch the receiver off.



5.12 Selecting a network type

When connecting your radio to other devices it is important to ensure you select the network connection and type that you want data to be transmitted over.

From the Main menu:

1. Select **Set-up**.
2. Select **Network output**.

The following network types are available:

- NMEA 2000 (default)
- 0183 High speed
- 0183 Std speed

3. Select the network type relevant to the devices connected to your radio. If your radio is not connected to any other devices any option can be selected.

Selecting **0183 Std speed** will disable the built-in AIS receiver, where applicable.

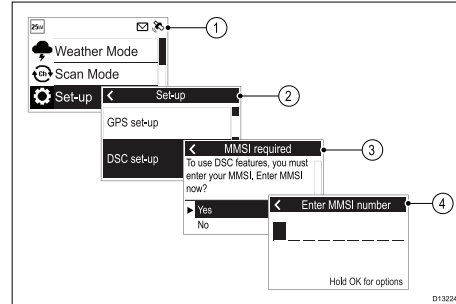
The **Network output** setting determines the baud rate of the NMEA 0183 input.

Network output setting	NMEA 0183 input baud rate
NMEA 2000	Standard speed (4,800)
NMEA 0183 High Speed	High speed (38,400)
NMEA 0183 Standard Speed	Standard speed (4,800)

Getting started

5.13 Entering your MMSI number

To program your radio with your MMSI number follow the steps below.



From the Set-up menu: (**Menu > Set-up**)

1. Select **DSC set-up**.
2. Select **MMSI**.

The **MMSI required** message will be displayed if no MMSI number has been set.

3. Select **Yes**.
4. Use the **Rotary knob** or the **Channel Up** and **Channel Down** buttons on a Raymic handset to cycle through the available numbers and press **OK** to confirm each number and move to the next digit.

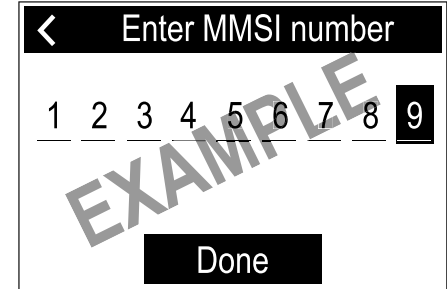
You should only enter the unique 9 digit MMSI number provided by your licensing authority.

MMSI numbers starting with a '0' are only used for groups and coast stations. If you enter a '0' as the first digit the radio will assume you are entering a coast station MMSI and automatically assign a '0' as the second digit; this is to ensure a group MMSI is not entered as the radio's unique MMSI.

5. Press the **Back** button at any time to edit digits you have already entered.

6. Press and hold the **OK** button to display options to **Move cursor** back and forward through the digits.
7. When the final digit is confirmed select **DONE**.

Example



8. The MMSI is displayed onscreen, check that it is correct, then:
 - i. Select **Yes – Save**, or
 - ii. if the number entered is not correct select **No – Retry**.

Caution: MMSI and ATIS ID entry

You can only enter the MMSI number and ATIS ID once!

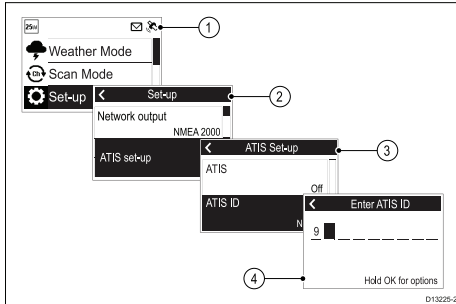
If you store an incorrect MMSI number or ATIS ID in your product, it will have to be reset by an authorized **Raymarine**® dealer.

49



5.14 Entering your ATIS ID

A unique ATIS ID must be entered before ATIS mode can be enabled.



From the Main menu.

1. Select **Set-up**.
2. Select **ATIS set-up**.
3. Select **ATIS ID**.

Not set will be displayed if no ATIS ID has been set. The first digit is set to a '9' and cannot be changed, this is because all ATIS IDs start with a '9'.

As most ATIS IDs consist of a '9' followed by your 9 digit MMSI number; if your radio already has an MMSI number the ATIS ID will be pre-filled in this format.

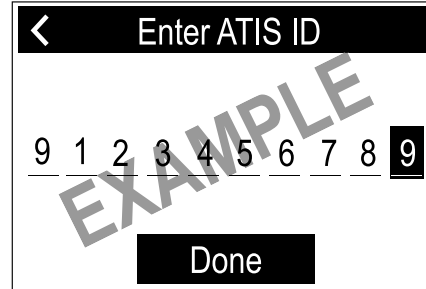
4. If the ATIS ID has been pre-filled, check it carefully against your issued ATIS ID.
5. To enter your ATIS ID manually, use the **Rotary knob** or the **Channel Up** and **Channel Down** buttons on a Raymic handset to cycle through the available numbers and press **OK** to confirm each number and move to the next digit.

You should only enter the unique 10 digit ATIS ID provided by your licensing authority.

6. Press the **Back** button at any time to edit digits you have already entered.

7. Press and hold the **OK** button to display options to **Move cursor** back and forward through the digits.
8. When the final digit is confirmed select **DONE**.

Example



9. The ATIS ID is displayed onscreen, check that it is correct, then:
 - i. Select **Yes – Save**, or
 - ii. if the number entered is not correct select **No – Retry**.

Caution: MMSI and ATIS ID entry

You can only enter the MMSI number and ATIS ID once!

If you store an incorrect MMSI number or ATIS ID in your product, it will have to be reset by an authorized **Raymarine**® dealer.

Enabling and disabling ATIS mode

ATIS is a European system used on some inland waterways. A unique ATIS ID must be entered before ATIS mode can be enabled.

With ATIS mode enabled the radio's region will be fixed to the INT (international) frequency band and the following functions are disabled:

- DSC functions
- Watch Mode
- Scan Mode
- High/low power is restricted on certain channels

From the Main menu.

1. Select **Set-up**.
2. Select **ATIS set-up**.
3. Select **ATIS**.

If no ATIS ID has been set then you will be requested to enter one before ATIS mode is enabled.

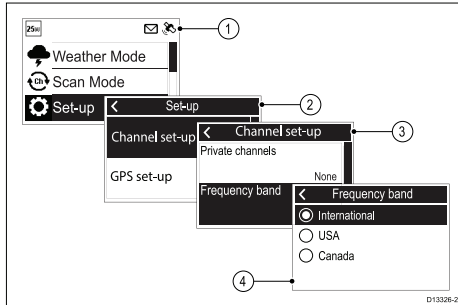
4. If an ATIS ID has already been set then select **On** to enable ATIS mode or **Off** to disable ATIS mode.



5.15 Changing the radio region

Prior to using the radio you must set the Frequency band to the region your radio will be used in.

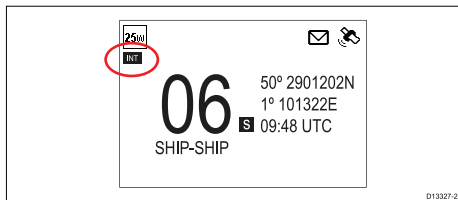
From the Main menu:



1. Select **Set-up**.
2. Select **Channel set-up**.
3. Select **Frequency band**.
4. Select the relevant region from the list.

The available options are:

- **International**
- **USA**
- **Canada**



An icon is displayed on the Homescreen that identifies which region has been set.

Getting started

5.16 Switching between high and low transmit power

You can switch transmit power using the HI/LO button on the Handset / Fisticmic.

The transmit power can also be changed from the **Set-up** menu: **Menu > Set-up**

1. Select **Power output**.

Selecting the Power output option will switch between High (25 watt) and Low (1 watt) power output.

5.17 GNSS (GPS) set up

If your radio has a GNSS (GPS) position fix then the following information can be displayed:

- latitude
- longitude
- UTC time
- COG and SOG

When position data is available the satellite icon is displayed onscreen.

If no position data is available then the latitude, longitude and time can be entered manually so that it can be included in DSC distress transmissions.

Position data received from other vessels can be displayed on a connected Raymarine® multifunction display.

Enabling and disabling the internal GNSS (GPS)

From the **GPS set-up** menu: **Menu > Set-up > GPS set-up**

1. Select **Integrated GPS**.

Selecting **Integrated GPS** will switch the radio's internal GNSS receiver On and Off.

Switching between internal and external antenna

Your radio's built-in GNSS (GPS) receiver includes an internal antenna, to improve performance you can connect an external antenna. You must select which antenna you are using.

From the **GPS set-up** menu: **Menu > Set-up > GPS set-up**

1. Select **GPS antenna**.

Selecting **GPS antenna** will switch between the internal antenna and external antenna.





No position data

If no position data is available or position data becomes unavailable; after 10 minutes an audible warning is sounded, the GNSS (GPS) icon flashes and the **No position data** message is displayed.

Once the warning has been acknowledged the GNSS (GPS) icon will continue to flash. The **No position data** warning is repeated every 4 hours if position data is still unavailable, has not been entered manually or has been entered manually but over 23.5 hours ago.

If position data has been entered manually the display alternates between displaying the manual position and time and the **Manual Position** message. If the manually entered position has not been updated in the last 4 hours the GNSS (GPS) icon flashes and an audible warning is sounded. This warning will be repeated every 4 hours until position is manually updated or position data becomes available.

Where no position data is available or has not been manually updated for 23.5 hours then position data will change to '9's and time will change to '8's.

Entering position manually

If GPS position data is not available it can be entered manually.

From the **GPS set-up** menu: **Menu > Set-up > GPS set-up**.

1. Select **Set manual position**.

The Manual position screen requires you to input latitude, longitude and UTC time.

2. Use the **Rotary knob** or the **Channel Up** and **Channel Down** buttons on a Raymic handset to cycle through the available numbers and press **OK** to confirm each number and move to the next digit.
3. When the relevant information has been entered select **OK** to confirm the details.

Selecting (GNSS) GPS information to display

You can change the GNSS (GPS) data that is displayed on the Homescreen.

From the **GPS set-up** menu: **Menu > Set-up > GPS set-up**.

1. Select **Homescreen display**.

Selecting Homescreen display will switch between **Location & time** and **Location & COG/SOG**.

The **Homescreen display** option is also available from the **Display set-up** menu: **Set-up > Display set-up > Homescreen display**.

Setting time format and offset

You can change the Format and Offset that is applied to the time displayed onscreen.

From the **Units** menu: **Menu > Set-up > Units**.

1. Select **Time format**.

Selecting Time format will switch between **12 hour** and **24 hour** format.

2. Select **Time offset**.

3. Adjust the offset to the desired value using the **Rotary knob** or the **Channel Up** and **Channel Down** buttons on a Raymic handset.

4. Select **OK** to confirm the selection.

5.18 Station priority (Ray63 and Ray73 only)

The Ray63 and Ray73 can have a Local Raymic, connected to the front connector, and a Raymic (remote) handset, connected to the rear connector.

The following rules apply to station priority:

- The Local station always takes priority over the Remote station.
- Unless a Distress call is in progress, any button press on the Local station will take control from the Remote station.
- If the Remote station is inactive for 3 seconds, the Local station can take control and complete an incomplete Distress call.
- The Local station can interrupt the Remote stations' voice broadcasts by pressing the **PTT** button.
- The Local station will retain control for 3 seconds after the last button press.
- The information on the station which has control is repeated on the other station's display.





Chapter 6: Digital selective calling (DSC)

Chapter contents

- [6.1 Digital Selective Calling \(DSC\) on page 54](#)
- [6.2 Distress calls on page 55](#)
- [6.3 Urgency calls on page 57](#)
- [6.4 Safety calls on page 57](#)
- [6.5 Individual \(routine\) calls on page 58](#)
- [6.6 Group calls on page 58](#)
- [6.7 Position requests on page 59](#)
- [6.8 Phonebook on page 60](#)
- [6.9 Call logs on page 60](#)
- [6.10 Test calls on page 61](#)
- [6.11 DSC set-up menu options on page 62](#)





6.1 Digital Selective Calling (DSC)

Traditional VHF radio systems require users to listen until someone speaks, and then determine whether the call is for them. DSC ensures that calls are received by alerting or announcing the intended recipient(s) first so they are ready to listen to the subsequent message on the relevant channel.

DSC is part of the Global Maritime Distress and Safety System (GMDSS), a maritime communications system for emergency and distress messages and all types of routine communications such as ship-to-ship or ship-to-shore.

DSC is a digital signalling system, which operates on VHF channel 70. DSC calls include other data such as your vessel's identification number, purpose of the call, your position and the channel you want to speak on.

DSC calls can be divided into 4 categories and are prioritized as shown below:

1. Distress
2. Urgency
3. Safety
4. Routine

Distress

A Distress call should only be used when there is imminent danger to a vehicle or person that requires immediate assistance.

When making a distress call the following information is transmitted to all stations within range:

- Vessel MMSI number.
- Vessel position (must be input manually if no position data is available).
- Local time (must be input manually if no position data is available).
- Nature of the distress (when designated).
- Transmission frequency.

The call is automatically repeated at approximately 4 minute intervals until it is acknowledged either by a coast radio station (CRS) or a vessel within radio range. Distress calls must be followed by a MAYDAY call on priority channel 16.

Urgency

An urgency call should be used when there is danger to a vehicle or person that does not require immediate assistance.

When making an urgency call the following information is transmitted to all stations within range:

- Vessel MMSI number.
- Vessel position (must be input manually if no position data is available).
- Local time (must be input manually if no position data is available).
- Transmission frequency.

Once an urgency call is sent it must be followed with a PAN PAN voice message on channel 16 and include the necessary details.

Safety

A safety call should be used when there is an important navigational warning or meteorological forecast/broadcast. Safety alerts can also be used for communications during search and rescue operations.

When making a safety call the following information is transmitted to all stations within range:

- Vessel MMSI number.
- Vessel position (must be input manually if no position data is available).
- Local time (must be input manually if no position data is available).
- Transmission frequency.

Once a safety call is sent it must be followed with a SECURITE voice message on channel 16 and include the necessary details.

Individual (routine)

Routine calls are used for contacting other vessels, marinas, or shore stations.

Routine calls are made on channel 70 using the dedicated Maritime Mobile Service Identity (MMSI) number of the station to be contacted, selecting a VHF working channel and sending the call. Both radios automatically switch to the chosen channel for conversation.

Routine calls can also be made to groups — When groups of ships need the same information (yacht races, club rallies etc.) a special group-call identity can be used to enable restricted broadcast calls.

Note:

To transmit precise position data, the radio must be connected to a GNSS (GPS) receiver. Otherwise, regular manual position updating is required.





6.2 Distress calls

Making a designated distress call

When making a Distress call you can specify the nature of the distress, if GNSS (GPS) data is not available you must also specify your coordinates.

Note:

Your radio must have an MMSI number saved before DSC functions can be used.

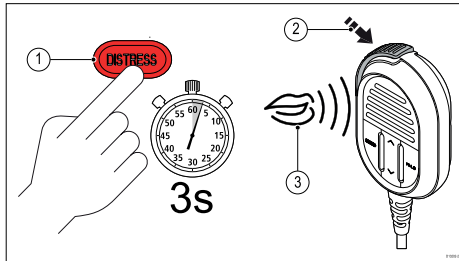
From the Distress call menu: **Menu > DSC Calls > Distress calls**

- Select a distress type from the list.
 - If your radio is receiving a valid GNSS (GPS) position then the distress type and coordinates are displayed on-screen, otherwise you will be prompted to enter your position coordinates.
- If prompted, enter your position coordinates and local time using the **Rotary knob** or **Channel Up** and **Channel Down** buttons on a Raymic handset to enter the relevant details.
- When complete press the **OK** button.
- Follow the steps for 'Making a Distress Call' to transmit the distress.

Making a distress call

In an emergency you can use your unit to make an automatic DSC distress call.

With the spring loaded cover open:



Digital selective calling (DSC)

- Press and hold the **DISTRESS** button for 3 seconds.

*Once the **DISTRESS** button is pressed a 3 second count down will begin, when the count down reaches zero the DSC distress call is transmitted.*

The distress call is repeated automatically until it is acknowledged.

- Press and hold the **PTT** button, then slowly and clearly speak the details of the distress in the following format:
MAYDAY, MAYDAY, MAYDAY
This is <state name of vessel 3 times>
MAYDAY <state name of vessel 1 time>
My position is <state latitude and longitude, or true bearing and distance from a known point.>
I am <state nature of distress e.g. sinking, on fire etc.>
I have <state number of persons on board and any other information — drifting, flares fired etc.>
I REQUIRE IMMEDIATE ASSISTANCE
OVER
- Release the **PTT** button.

Making a Mayday call

In an emergency you can also make a Mayday call following the instructions below.

- Press the **16 PLUS** button.
- Press and hold the **PTT** button.
- Slowly and clearly speak the details of the distress:
MAYDAY, MAYDAY, MAYDAY
This is — state name of vessel 3 times
MAYDAY — state name of vessel 1 time
My position is — state latitude and longitude, or true bearing and distance from a known point
I am — state nature of distress e.g. sinking, on fire etc.
I have — state number of persons on board and any other information — drifting, flares fired etc.
I REQUIRE IMMEDIATE ASSISTANCE

OVER

- Release the **PTT** button.
- If an acknowledgement is not received then repeat steps 2 to 4 above.

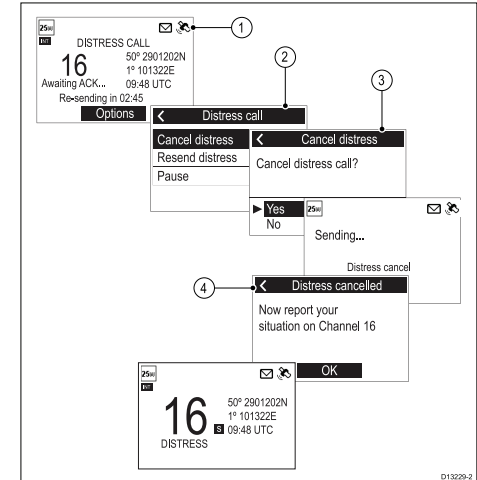
Canceling a distress call before transmission

To cancel a distress call before it is transmitted follow the steps below:

- Release the **DISTRESS** button before the countdown timer completes.
 When the button is released you will be returned to normal operation.

Canceling a distress call after transmission

A distress call can be cancelled after it has been transmitted.



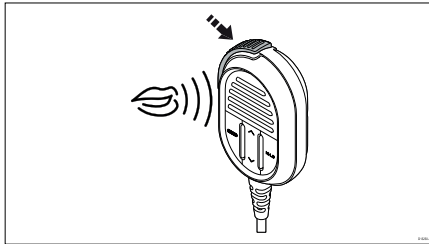
- Select **Options**.





2. Select **Cancel distress**.
3. Select **Yes** to confirm cancellation.
4. Select **OK**.
5. Press and hold the **PTT** button and make a broadcast to all stations giving your vessel's name, call sign and MMSI number and cancel the false distress alert

Example: "All, Stations, All Stations, All Stations. This is <NAME>, <CALL SIGN>, <MMSI ID>, <POSITION>. Cancel my distress alert of <DATE>, <TIME>, <NAME>, <CALL SIGN>"

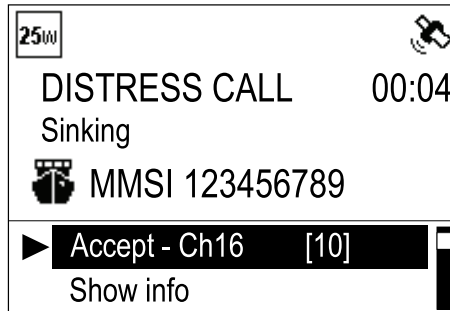


6. Repeat the broadcast described in step 5.

Receiving a distress call

It is expected that only a Coast Radio Station (CRS) will acknowledge DSC distress calls and will act as the coordinator for the rescue operation.

When a distress call is received an alarm is sounded at full volume and the LCD displays information relating to the distress.



If the **Auto channel change** function is enabled; 10 seconds after receipt of a distress call the radio will automatically re-tune to channel 16. Otherwise the user is prompted to change channel manually.

The details of the distress call are recorded in the distress log and the envelope icon will flash to let you know a message has been received. When connected to a **Raymarine**® multifunction display (**MFD**) the position data from the distress call can also be displayed in the Chart application.

When the received distress call is acknowledged by the CRS or by another station the radio will resume normal operation.

Ignoring a distress call

You can ignore a distress call by muting the alarm and cancelling the distress call screen.

If your radio is already tuned to the priority channel then the **Ignore** option will not be available.

With an incoming distress call displayed.

1. Select **Ignore** from the options displayed.
Normal operation is resumed.

Acknowledging a distress call

Distress calls must only be acknowledged if the call continues without acknowledgement from a CRS, you are close enough to the distressed vessel to be of assistance and are prepared to relay the distress to a CRS by any means possible. Class D DSC radios are

forbidden from automatically acknowledging distress calls. Acknowledgement must only be made by voice message on channel 16.

After receiving a distress call that has gone unanswered:

1. Switch to channel 16 to listen for the distress voice message.
2. Wait for the CRS to acknowledge the call.
3. If the distress call is not acknowledged by another station then acknowledge the call as follows:

MAYDAY

(MMSI of the vessel in distress)

Name of vessel in distress <repeated 3 times>

Call sign of the vessel in distress

This is <MMSI of your vessel>, <name of your vessel repeated 3 times> <call sign of your vessel>

RECEIVED MAYDAY

4. You **MUST** then notify the shore authorities by any means possible to relay the distress call.

Manually relaying a distress call

A distress relay should only be sent if: the person or vehicle in distress is unable to transmit the distress call itself, for example red flares sighted at night or the person or vehicle in distress is out of range of a CRS and you have already acknowledged the distress by voice message. You can also relay a received distress relay alert manually if it goes unanswered.

1. Switch to channel 16
2. Slowly and clearly speak the details of the distress:

MAYDAY RELAY, MAYDAY RELAY, MAYDAY RELAY

This is <MMSI of your vessel, name of your vessel repeated 3 times and your call sign>

Received the following MAYDAY from <MMSI of vessel in distress, name of vessel in distress, call sign of vessel in distress>

Message begins

Message received from vessel in distress or details of the distress

Message ends





OVER

Distress relays sent by other stations

When a Coast Station or another vessel, has received, and acknowledged a DSC distress alert it may transmit a distress alert relay to other vessels in the immediate area.

Distress relays sent from other stations can be received by the radio.

The radio cannot re-send a distress relay automatically. If required you can relay a distress relay message manually.

If a distress relay is sent specifically to the radio then it can be acknowledged, otherwise acknowledgement is not required.

Acknowledging a distress relay sent to your vessel

If a distress relay is specifically sent to your vessel this will be because the sender deems you to be in a position to assist in the rescue. The distress relay information is displayed onscreen.

When a distress relay is received:

1. Select **Show info** from the options to review the relevant details.
2. If the distress relay was sent individually to you, select **Accept** to send a distress relay acknowledgement.
3. Ensure the radio is tuned to channel 16.

Note: Distress relay calls can only be acknowledged automatically when sent individually to you.

Digital selective calling (DSC)

6.3 Urgency calls

Making an urgency call

An urgency call should be used when there is danger to a vehicle or person that does not require immediate assistance. Urgency calls are transmitted to all stations.

From the **All ships call** menu: **Menu > DSC Calls > All ships call**.

1. Select **Urgency**.
2. Select the channel for subsequent communication.
The call is transmitted. Once the call has been successfully transmitted '**Sent**' is displayed onscreen and the channel is changed to the specified channel.
3. Press the **OK** button.
4. Press and hold the **PTT** button and speak the following message:

PAN PAN, PAN PAN, PAN PAN

ALL STATIONS, ALL STATIONS, ALL STATIONS

This is — MMSI of your vessel, name of your vessel repeated 3 times, call sign of your vessel.

Position — Your vessel's position.

Reason for call — State the reason for the call and include all information which will assist in the rescue.

OVER

Receiving an urgency call

When an urgency call is received:

1. Select **Show info** from the options to review relevant call details.
2. Select **Accept** at any time to accept the call.

If auto channel change is turned on then the channel will automatically change after 10 seconds.

The radio is re-tuned to the specified channel.

3. Listen for the urgency call message.

6.4 Safety calls

Making a safety call

Safety calls should be used when there is an important navigational warning or meteorological forecast/broadcast. Safety alerts can also be used for communications during search and rescue operations.

From the **All ships call** menu: **Menu > DSC Calls > All ships call**.

1. Select **Safety**.
2. Select the channel for subsequent communication.
The call is transmitted. Once the call has been successfully transmitted '**Sent**' is displayed onscreen and the channel is changed to the specified channel.
3. Press the **OK** button.
4. Press and hold the **PTT** button and speak the following message:

SECURITE, SECURITE, SECURITE

ALL STATIONS, ALL STATIONS, ALL STATIONS

This is — MMSI of your vessel, name of your vessel repeated 3 times, call sign of your vessel.

Position — Your vessel's position.

Reason for call — state the reason for the safety call.

OVER

Receiving a safety call

When a safety call is received:

1. Select **Show info** from the options to review relevant call details.
2. Select **Accept** at any time to accept the call.

If auto channel change is turned on then the channel will automatically change after 10 seconds.

The radio is re-tuned to the specified channel.

3. Listen for the safety call message.



6.5 Individual (routine) calls

Individual calls can be made to contacts saved in your Phonebook or to any station by manually entering an MMSI number.

Note:

When calling a coast station there is no need to select a channel for communication.

If a call cannot be accepted then a reason code is displayed.

No Reason	No reason given
Congestion	Congestion at maritime switching centre
Busy	Station Busy
Queue	Queue indication
Barred	Station barred
No operator	No operator available
Unavailable	Operator temporarily unavailable
Disable	Equipment disabled
Unable Ch	Unable to use proposed channel
Unable mode	Unable to use proposed mode

Making an Individual call

From the **Individual Call** menu: **Menu > DSC Calls > Individual Call**.

1. Select **Phonebook** to make a routine call to a contact saved in your Phonebook, or
2. Select **Recent Calls** to make a routine call to a contact that you have called recently, or
3. Select **Enter MMSI** to manually enter the MMSI number of the station you want to contact.

4. Select a contact or enter an MMSI manually and press the **OK** button.
5. Select the Channel you want to transmit the call on.

If the MMSI is a CSR then the radio will automatically tune to the correct Channel. The radio will wait for an acknowledgement to be received.

6. If an acknowledgement is received, press the **OK** button.
7. Press and hold the **PTT** button and speak your message.
8. Release the **PTT** button when you have completed your message.

Receiving an Individual call

With an incoming individual call displayed:

1. Select **Show info** from the options to review relevant call details.
2. Select **Reply on Ch ##** at any time to accept the call.

If auto channel change is turned on then the channel will automatically change after 10 seconds.

The radio is re-tuned to the specified channel.

3. To reject the call, select **Reject**.
4. If you rejected the call, select a reason for the rejection from the list.

Confirmation of the acceptance or rejection of the call is displayed. If you have accepted the call then the radio will re-tune to the requested channel.

6.6 Group calls

Group calls can be made to groups of vessels sharing the same Group MMSI numbers.

Group calls are made by selecting a saved group contact from the **Phonebook** or by entering the Group MMSI number for the group you want to call.

Making a group call

From the **Group Call** menu: **Menu > DSC Calls > Group Call**.

1. Select **Phonebook** to make a call to a group saved in your Phonebook, or
2. Select **Recent Calls** to make a call to a group that you have called recently, or
3. Select **Enter MMSI** to manually enter the MMSI number of the group you want to contact.
4. Select a group or enter an MMSI manually and press the **OK** button.
5. Select the Channel you want to transmit the call on.

The radio will wait for an acknowledgement to be received.

6. If an acknowledgement is received, press the **OK** button.
7. Press and hold the **PTT** button and speak your message.
8. Release the **PTT** button when you have completed your message.

Receiving a group call

Note:

To receive a call made to a Group, the Group's MMSI number must be saved in your Phonebook.

With an incoming group call displayed:

1. Select **Show info** from the options to review relevant call details.
2. Select **Reply on Ch ##** at any time to accept the call.





If auto channel change is turned on then the channel will automatically change after 10 seconds.

The radio is re-tuned to the specified channel.

3. To reject the call, select **Reject**.
4. If you rejected the call, select a reason for the rejection from the list.

Confirmation of the acceptance or rejection of the call is displayed. If you have accepted the call then the radio will re-tune to the requested channel.

6.7 Position requests

The radio can request position information from any station capable of responding to the request.

Position requests can be sent to any contact stored in the **Phonebook** or by manually inputting the station's MMSI number.

When connected to a Raymarine® multifunction display (MFD) the position data from the request can also be display in the Chart app.

Making a position request

You can request the position of another station.

From the **Position Request** menu: **Menu > DSC Calls > Position Request**.

1. Select **Phonebook** to request the position of a contact saved in your Phonebook, or
2. Select **Recent Calls** to request the position of a contact that you have called recently, or
3. Select **Enter MMSI** to manually enter the MMSI number of the station that you want to request the position of.
4. Select a contact or enter an MMSI manually and press the **OK** button.

The position request is sent. When a response is received the position of the contact is displayed.

Responding to a position request

With a Position request displayed:

1. Select **Send position** to respond with your current location, or
2. Select **Cancel** to ignore the request.
3. If the position reply is set to manual then select **SEND** to send the position report.
4. Select **OK** to resume normal operation.

If the **Position requests** setting, found in the **GPS set-up** menu is set to **Auto accept** then the response is sent automatically.

Setting automatic response to position requests

You can configure your radio to respond to incoming position requests automatically.

From the **DSC set-up** menu: **Menu > Set-up > DSC set-up**

1. Select **Position requests** to switch between Manual accept (default) and Auto accept.





6.8 Phonebook

The Phonebook can be used to save up to 100 contacts. You can add, edit and delete contacts stored in the Phonebook.

Adding a Phonebook entry

You can save contacts in the Phonebook by entering their MMSI and assigning a name to the contact.

From the **DSC Calls** menu: **Menu > DSC Calls**.

1. Select **Phonebook**.
2. Select **Add new**.
3. Select the type of contact.
 - Vessel
 - Group
 - Coast station
4. Use the **Rotary knob** or the **Channel Up** and **Channel Down** buttons on a Raymic handset to cycle through the available numbers and press **OK** to confirm and move to the next digit.
5. Press the **OK** button to confirm the MMSI.
6. Use the **Rotary knob** or the **Channel Up** and **Channel Down** buttons on a Raymic handset to cycle through the available characters and press **OK** to confirm and move to the next character.

The maximum length for contact names is 10 characters.

7. If the Contact name is less than 10 characters, press and hold the **OK** button and select **Save**.
8. Press the **Back** button at any time to edit characters you have already entered.
9. Press and hold the **OK** button and select **Move cursor** to edit an existing character.
10. When complete press the **OK** button to return to the Phonebook.

Editing a Phonebook entry

From the **DSC Calls** menu: **Menu > DSC Calls**.

1. Select **Phonebook**.

2. Select the contact you want to edit.
3. Select **Edit name** or **Edit MMSI**
The contact's MMSI or name is displayed.
4. Use the **Rotary knob** or the **Channel Up** and **Channel Down** buttons on a Raymic handset to change a character.
5. Press the **OK** button to confirm each character and move to the next.
6. When you have completed your changes press the **OK** button again to save the changes.

Deleting a Phonebook entry

From the **DSC Calls** menu: **Menu > DSC Calls**.

1. Select **Phonebook**.
2. Select the contact you want to edit.
3. Select **Delete**.
4. Select **Yes**.

The contact is deleted.

6.9 Call logs

All DSC calls are logged.

The following call types are recorded in call logs:

- distress
- distress relay
- distress acknowledgements
- sent position requests
- received position requests
- group calls
- all ship calls
- individual (routine) calls

The details below are recorded for each call:

- MMSI number(s) (If a call is relayed up to 3 MMSI numbers can be recorded)
- type of call
- date and time of call
- latitude and longitude (if sent with the call)
- nature of distress (specified distress calls only)

If the call was received from a contact in the Phonebook then the contact name is displayed, otherwise the MMSI number is displayed.

Accessing the call logs

Follow the steps below to access the call logs.

From the **DSC Calls** menu: **Menu > DSC Calls**.

1. Select **Call logs**.
2. Select the log you want to view:
 - Unread
 - Distress calls
 - Non-distress calls
 - Outgoing calls
 - Position log
3. Select a call and press the **OK** button to view details.
4. Select **Options** to view available options.





- **Call Back** — return a received call.
- **Resend** — only available in the outgoing call log.
- **Call** — available in the position log.
- **Send position** — available in the position log.
- **Request position** — available for individual and distress calls.
- **Save to Phonebook** — available for received and outgoing calls to new contacts.
- **Send ACK** — available for unacknowledged individual received calls.
- **Delete** — deletes the log entry.

6.10 Test calls

A Test Call feature is available for the purposes of testing your DSC VHF radio for correct operation.

There are 2 types of test call:

- Test call to the US Coast Guard automated response test call service (MMSI: **003669999**). This type of test call will receive an automated response (acknowledgement).
- Test call to another vessel that has a radio that supports the test call feature. Your radio will automatically acknowledge test calls received from other radios.

For radios that do NOT support the test call feature, correct radio operation can be tested by making an Individual call on channel 70 to another DSC VHF radio.

It is recommended that once you've successfully placed a test call you add the test call MMSI to your radio's Phonebook for easy retrieval for future test calls. For information on how to add an MMSI to your radio's Phonebook, refer to the "Adding a Phonebook entry" section.

Note:

Individual calls (that is, NOT a test call) to the US Coast Guard 003669999 MMSI will NOT receive an automated response.

Note:

The US Coast Guard automated response test call service is only available in the United States and its coastal waters.

Making a Test call

From the **Test call** menu: **Menu > DSC Calls > Test call**.

1. Select **Phonebook** to make a test call to a contact saved in your Phonebook, or
2. Select **Recent Calls** to make a test call to a contact that you have called recently, or
3. Select **Enter MMSI** to manually enter the MMSI number of the station you want to send a test call.

4. Select a contact or enter an MMSI manually and press the **OK** button.
The test call is sent.
5. If you called the US Coast Guard automated response test call MMSI (003669999), wait for an acknowledgement. If you made a test call to another vessel with a test call capable radio, your radio will wait for a response.

When an acknowledgement is received, an audible alarm is sounded and the message (envelope) icon is displayed.

Receiving a test call

Your radio will automatically acknowledge received Test calls from other stations

When a Test call is received a notification is displayed to alert you that a test call has been received and automatically acknowledged.





6.11 DSC set-up menu options

The DSC set-up menu options can be accessed from the following menus:

- **Menu > DSC Calls > DSC set-up**
- **Menu > Set-up > DSC set-up**

Menu item	Description	Options
MMSI	To enable the DSC functions on your radio you must enter your unique MMSI number.	
Auto channel change	When automatic channel change is turned on the radio will automatically re-tune after 10 seconds to the requested channel when DSC calls are received.	<ul style="list-style-type: none"> • On (default) • Off
Position requests	With Position requests set to Auto accept the radio will automatically send out position details when a position request is received.	<ul style="list-style-type: none"> • Auto accept (default) • Manual accept





Chapter 7: VHF operations

Chapter contents

- [7.1 Watch modes on page 64](#)
- [7.2 Scan Mode on page 64](#)
- [7.3 Priority channels on page 64](#)
- [7.4 Sensitivity on page 65](#)
- [7.5 Private channels on page 65](#)
- [7.6 Automatic Transmitter Identification System \(ATIS\) and Marcom-C mode on page 65](#)
- [7.7 AIS receiver on page 66](#)
- [7.8 Set-up menu options on page 66](#)





7.1 Watch modes

Watch mode monitors priority channels and the currently selected channel.

There are 2 types of watch mode; **Dual watch** and **Triple watch** or **Tri watch**.

- **Dual watch** — This mode monitors priority channel 16 and the currently selected channel.
- **Triple watch** — This mode monitors priority channel 16, the second priority channel (Channel 09 (default)) and the currently selected channel. The second priority channel can also be set to a user defined channel.

When the radio detects a transmission, Watch mode is suspended until the transmission ends; watch mode will then recommence.

Setting Watch mode

From the **Watch Mode** menu: **Menu > Watch Mode**.

1. Select **Dual Watch** or **Triple Watch** as required.
The radio is now in Watch mode.
2. Select **2nd priority channel** to select a different second priority channel for Triple watch.
3. During Watch mode, press the **Back** button at any time to end the Watch mode and resume normal operation.

7.2 Scan Mode

Scan mode enables automatic searching for channels that are currently broadcasting.

Scan mode will search through available channels and stop when it finds a channel that is currently broadcasting. If the broadcast stops or is lost for more than 5 seconds then the scan will resume.

Channels can be temporarily removed from an active scan, and the direction of scan can also be changed. When the scan reaches the last channel in the band the scan cycle is repeated.

The following scans options are available:

- **All Channels** — All channels in the frequency band the radio is set to are scanned in sequence.
- **All Channels + 16** — All channels in the frequency band the radio is set to are scanned, after each channel is scanned priority channel 16 is scanned.
- **Saved Channels** — Only channels saved to the radio's memory are scanned in sequence.
- **Saved Channels + 16** — Only channels saved to the radio's memory are scanned, after each channel is scanned priority channel 16 is scanned.

Note:

If the weather alert function is activated, the weather alert channel is included in the scan.

Setting Scan mode

Scan mode is started from the main menu.

From the **Scan Mode** menu: **Menu > Scan Mode**.

1. Select the relevant Scan mode.
The radio is now in Scan mode.
2. Select **Edit Saved Channels** to select the channels that will be scanned when performing a Saved channel scan.
3. During Scan mode, press the **Back** button at any time to end the Scan mode and resume normal operation.

7.3 Priority channels

Channel 16 is the dedicated priority channel.

The default secondary priority channel is channel 09. The second priority channel can be changed if desired.

Switching between priority channels

1. Press the **16 / +** button to switch between priority channels.

Setting a second priority channel

You can select which channel you want to use as the second priority channel.

From the **Channel set-up** menu: **Menu > Set-up > Channel set-up**.

1. Select **2nd priority channel**.
2. Select the channel that you want to assign as the second priority channel.





7.4 Sensitivity

The sensitivity level of the radio can be set to Local mode or Distant mode.

Local mode decreases the receiver sensitivity in high traffic areas to reduce unwanted reception. When in Local mode the 'Loc' icon is displayed in the status bar.

Distant mode sets the receiver sensitivity to full.

Switching sensitivity modes

You can switch between Local and Distant modes at any time.

From the **Set-up** menu: **Menu > Set-up**.

1. Select **Sensitivity**.

Selecting Sensitivity will switch between Local mode and Distant mode (default).

7.5 Private channels

The radio may be able to receive additional Private channels depending on the country it is used in and whether the appropriate licenses are held.

The following Private channel sets can be selected:

- None
- Belgium
- Denmark (pleasure)
- Denmark (fishing)
- Finland (pleasure)
- Finland (fishing)
- Holland (Netherlands)
- Norway (pleasure)
- Norway (fishing)
- Sweden (pleasure)
- Sweden (fishing)
- UK

Selecting a private channel set

You can select the set of private channels you want to use.

From the **Channel set-up** menu: **Menu > Set-up > Channel set-up**.

1. Select **Private channels**.

The list of private channel sets is displayed:

2. Select the required private channel set.

7.6 Automatic Transmitter Identification System (ATIS) and Marcom-C mode

ATIS is a European system used on some inland waterways.

VHF radios operating in an ATIS region must be programmed with a unique ATIS number; this can be obtained from the relevant licensing authority. The ATIS number is attached as a digital signal at the end of each transmission and identifies you to the relevant authorities who monitor the system.

When operating in ATIS mode, some of the products features are not available:

- Use of DSC functions is not permitted in ATIS regions.
- Watch modes are not permitted in ATIS regions.
- Channel scanning is not permitted in ATIS regions.
- ATIS regulations restrict the transmit power to 1 watt for the following channels: 6, 8, 10, 11, 12, 13, 14, 71, 72, 74 and 77.

You can enable or disable ATIS using the menus (except on Marcom-C configured units).

Marcom-C mode

Marcom-C mode is a restricted radio configuration for VHF operators with a Marcom-C license. This is applicable to radios operated exclusively in European inland waterways using the ATIS system.

A Marcom-C VHF radio has the ATIS permanently enabled. You will not be able to disable ATIS operation. Marcom-C operation is set by the dealer at point of sale. If you wish to enable or disable Marcom-C mode, you must contact your Raymarine dealer.

For further information please contact Raymarine technical support.





Enabling and disabling ATIS mode

ATIS is a European system used on some inland waterways. A unique ATIS ID must be entered before ATIS mode can be enabled.

With ATIS mode enabled the radio's region will be fixed to the INT (international) frequency band and the following functions are disabled:

- DSC functions
- Watch Mode
- Scan Mode
- High/low power is restricted on certain channels

From the Main menu.

1. Select **Set-up**.
2. Select **ATIS set-up**.
3. Select **ATIS**.

If no ATIS ID has been set then you will be requested to enter one before ATIS mode is enabled.

4. If an ATIS ID has already been set then select **On** to enable ATIS mode or **Off** to disable ATIS mode.

7.7 AIS receiver

Depending on variant your radio may have a built-in AIS receiver.

With the built-in AIS receiver switched on AIS information can be sent to a connected Raymarine® MFD using either NMEA 0183 or SeaTalkng®.

Note: If using the built-in AIS receiver and outputting over NMEA 0183, ensure that the baud rate is set to **0183 High speed: Menu > Set-up > Network output** .

Switching AIS on and off

From the **Set-up** menu: **Menu > Set-up**.

1. Select **AIS**.
Selecting AIS will switch the internal AIS receiver On and Off.

7.8 Set-up menu options

The Set-up menu options can be accessed from the Main menu.

Menu	Description	Options
Display set-up	Provides access to the display settings menu.	<ul style="list-style-type: none"> • Backlight • Shared brightness • Contrast • Homescreen display
Language	Enables selection of the user interface language.	<ul style="list-style-type: none"> • English — English • Español — Spanish • Français — French • Deutsch — German • Italiano — Italian
Units	Provides access to units of measure selection settings.	<ul style="list-style-type: none"> • Time format • Time offset • Bearing mode • Speed unit
Power output	Switches the Power output of the radio.	<ul style="list-style-type: none"> • Distant (default) • Local
Sensitivity	Switches the Sensitivity of the radio.	<ul style="list-style-type: none"> • Low • High (default)





Menu	Description	Options
Noise cancelling (Tx)	Switches the transmission noise cancellation feature On and Off. Note: Menu only available on Ray63 and Ray73.	<ul style="list-style-type: none"> • On (default) • Off
Key Beep	Enables adjustment of the beep which is heard when pressing buttons.	<ul style="list-style-type: none"> • Off • Quiet (default) • Loud
Channel set-up	Provides access to the Channel set-up menu.	<ul style="list-style-type: none"> • Channel name • 2nd priority channel • Private channels • Frequency band
GPS set-up	Provides access to the GPS set-up menu.	<ul style="list-style-type: none"> • Internal GPS • Homescreen display • Bearing mode • Position requests • Set manual position

Menu	Description	Options
DSC set-up	Provides access to the DSC set-up menu.	<ul style="list-style-type: none"> • MMSI • Auto channel change • Position requests
AIS	Switches the internal AIS receiver on and off on. Note: Menu only available on the Ray73.	<ul style="list-style-type: none"> • Off (default) • On
Network output	Enables you to select the network to be used to output and receive data.	<ul style="list-style-type: none"> • NMEA 2000 • 0183 High speed • 0183 Std speed
ATIS set-up	Enables you to switch ATIS mode on and off and enter your ATIS ID.	<ul style="list-style-type: none"> • ATIS • ATIS ID
Maintenance	Enables you to view system details and functions that may be required during maintenance and troubleshooting.	<ul style="list-style-type: none"> • About this unit • System reset • System test

Display Set-up menu

The following menu options are available from the Display Set-up menu.

Menu	Description	Options
Backlight	Increases and decreases the LCD and button backlight level.	<ul style="list-style-type: none"> • 0 to 9 • Off
Shared brightness	Enables set-up of Shared Brightness.	<ul style="list-style-type: none"> • Shared brightness • Group
Contrast	Increases and decreases the LCD Contrast level.	<ul style="list-style-type: none"> • 0 to 10
Homescreen display	Determines the details displayed onscreen.	<ul style="list-style-type: none"> • Location & Time • Location & COG/SOG





Shared Brightness menu

The following menu options are available from the Shared Brightness menu.

Menu	Description	Options
Shared brightness	Enables and disables Shared Brightness.	<ul style="list-style-type: none">• On• Off
Group	Enables you to assign the radio to a Shared Brightness group.	<ul style="list-style-type: none">• Helm 1• Helm 2• Cockpit• Flybridge• Mast• Group 1 to Group 5





Chapter 8: Hailer, Fog horn, and Intercom

Chapter contents

- [8.1 Hailer Fog Intercom menu on page 70](#)
- [8.2 Loud Hailer on page 70](#)
- [8.3 Fog horn on page 70](#)
- [8.4 Intercom on page 71](#)





8.1 Hailer Fog Intercom menu

The menu options available are determined by the accessories connected to your radio.

Menu name	Connected devices
Hail/Fog/Int	Loud hailer and second station connected.
Hailer/Fog	Loud hailer connected, no second station
Intercom	Second station connected, no loud hailer

Note:

For simplicity the procedures in this section all refer to the **Hail/Fog/Int** menu.

8.2 Loud Hailer

The Ray70, Ray90 and Ray91 can be connected to a Loud Hailer.

In Hailer mode anything spoken into the handset is amplified and broadcast from the hailer. The message is not transmitted over VHF/DSC.

When the hailer is active VHF calls cannot be sent or received.

Using the hailer

From the **Hail/Fog/Int** menu: **Menu > Hail/Fog/Int**.

1. Select **Hailer**.
Hailer mode is now active
2. Press and hold the **PTT** button.
3. Speak your message.
4. Release the **PTT** button.
5. Press the **Back** button to exit Hailer mode.
6. The hailer listening volume can be adjusted at any time in Listening mode using the **Volume Control**.
7. The hailer talking volume can be adjusted at any time, with the **PTT** button pressed using the **Volume Control**.

8.3 Fog horn

The fog horn function requires an optional loud hailer to be connected. Please check your product description to ensure a loud hailer can be connected.

The fog horn function can be set to manual or to predefined automatic modes.

In manual mode a continuous tone is sounded for as long as the **PTT** button is pressed.

In automatic mode the selected tone will repeat every 2 minutes until interrupted or cancelled. In automatic mode the radio can be used as normal between the fog horn patterns.

Fog mode	Description	Pattern
Underway	Vessel underway	1 long tone
Underway/Stopped	Vessel not underway	2 long tones
Sailing/Fishing	sailing vessel or any vessel fishing but not trolling	1 long tone and 2 short tones
Restricted/Tow	Restricted in ability to maneuver or towing another vessel	1 long tone and 2 short tones
Under tow	This vessel is being towed	1 long tone and 3 short tones
Pilot vessel	This vessel is a pilot vessel	4 short tones
At anchor	Vessel is at anchor	12 consecutive rings
Aground	Vessel is aground	3 short rings, 12 consecutive rings, 3 short rings

Using the fog horn in manual mode

From the **Hail/Fog/Int** menu: **Menu > Hail/Fog/Int**.





1. Select **Fog horn**.
2. Select **Manual mode**.
3. Press and hold the **PTT** button to sound a continuous fog horn tone.
4. Press the **Back** button to exit Fog horn mode.

Using automatic fog horn modes

From the **Hail/Fog/Int** menu: **Menu > Hail/Fog/Int**.

1. Select **Fog horn**.
2. Select **Automatic mode**.
3. Select an automatic pattern.
The selected pattern will play and repeat until interrupted.
4. Select **Stop fog horn** to exit the automatic fog horn mode, or
5. Select **Change pattern** to select a different fog horn pattern.
6. To continue using the radio whilst in automatic fog horn mode select **Back** 4 times to return to the Homescreen.

You can now continue to use the radio as normal. The fog horn pattern will continue to repeat every 2 minutes. If you are making a call when it is due to sound the fog horn will be suspended until you finish your call.

Switching off Fog Horn mode

Automatic Fog Horn mode will remain active until switched off.

From the **Hail/Fog/Int** menu: **Menu > Hail/Fog/Int**.

1. Select **Fog horn**.
2. Select **Stop fog horn** to switch off the automatic fog horn mode

8.4 Intercom

The Intercom function is available when more than 1 station is connected to your radio.

The intercom function allows voice communication between handset stations. Calls can be initiated from either station.

Using the intercom

From the **Hail/Fog/Int** menu: **Menu > Hail/Fog/Int**.

1. Select **Intercom**.
2. ¹Select the handset you want to call.
The selected handset will ring.
3. Wait for the handset station to acknowledge the call.
4. Press and hold the **PTT** button and speak your message.

Note:

¹Step not required when only 2 handsets are connected.

Responding to the intercom

1. Press the **PTT** button and acknowledge the call and to respond to subsequent voice messages.







Chapter 9: Maintenance

Chapter contents

- [9.1 Maintenance on page 74](#)





9.1 Maintenance

This product has no user serviceable parts or adjustments. Never remove the cover or attempt to service the product, doing so may invalidate your product warranty.

The following preventive measures should be followed:

- Although the product is waterproof, keep the unit as dry as possible.
- If you remove a handset connection ensure the dust cap is fitted to the connector.

Routine checks

The following periodic checks should be made:

- Examine cables for signs of damage, such as chafing, cuts or nicks.
- Check that the cable connectors are firmly attached and that their locking mechanisms are properly engaged.

Note: Cable checks should be carried out with the power supply switched off.

Caution: Product cleaning

When cleaning products:

- Lightly rinse or flush with clean, cool fresh water.
- If your product has a display screen, do NOT wipe the screen with a dry cloth, as this could scratch the screen coating.
- Do NOT use: abrasive, acidic, ammonia, solvent or chemical based cleaning products.
- Do NOT use a jet wash.

Unit cleaning instructions

The unit does not require regular cleaning. However, if you find it necessary to clean the unit, please follow the steps below:

1. Ensure power is switched off.
2. Wipe unit clean with a damp cloth.
3. If necessary, use a mild detergent solution to remove grease marks.





Chapter 10: Troubleshooting

Chapter contents

- [10.1 Troubleshooting on page 76](#)
- [10.2 Power up troubleshooting on page 77](#)
- [10.3 VHF Radio troubleshooting on page 79](#)
- [10.4 GNSS \(GPS\) troubleshooting on page 80](#)



10.1 Troubleshooting

The troubleshooting information provides possible causes and corrective action required for common problems associated with installation and operation of your product.

Before packing and shipping, all Raymarine products are subjected to comprehensive testing and quality assurance programs. If you do experience problems with your product this section will help you to diagnose and correct problems in order to restore normal operation.

If after referring to this section you are still having problems with your product, please refer to the Technical support section of this manual for useful links and Raymarine Product Support contact details.

Performing a system reset

Note: Performing a reset will not reset MMSI and ATIS ID number.

From the Maintenance menu: **Menu > Set-up > Maintenance.**

1. Select **System reset.**
2. Select **Yes.**

The system is now reset to factory defaults.

Note: Performing the reset will delete all contacts in your phonebook and reset all user options.

System test

The system test menu can be used to show the status of the system and connected devices.

The System test menu show the status of the following system components and connected devices:

- GPS
- DSC
- Battery
- Hailer
- Remote handset





10.2 Power up troubleshooting

Problems at power up and their possible causes and solutions are described here.

Product does not turn on or keeps turning off

Possible causes	Possible solutions
Blown fuse / tripped breaker	<ol style="list-style-type: none"> 1. Check condition of relevant fuses and breakers and connections, replace if necessary (Refer to Chapter 12 Technical specification for fuse ratings.) 2. If fuse keeps blowing check for cable damage, broken connector pins or incorrect wiring.
Poor / damaged / insecure power supply cable / connections	<ol style="list-style-type: none"> 1. Check that the power cable connector is fully inserted into the unit and locked in position. 2. Check the power supply cable and connectors for signs of damage or corrosion, replace if necessary. 3. With the unit turned on, try flexing the power cable near to the display connector to see if this causes the unit to re-boot/loose power, replace if necessary. 4. Check the vessel's battery voltage, the condition of the battery terminals and power supply cables, ensuring connections are secure, clean and free from corrosion, replace if necessary. 5. With the product under load, using a multi-meter, check for high voltage drop across all connectors/fuses etc, replace if necessary.
Incorrect power connection	The power supply may be wired incorrectly, ensure the installation instructions have been followed. (Refer to Chapter 4 Cables and connections for cable and connection requirements.)
Power source insufficient	With the product under load, using a multi-meter, check the power supply voltage as close to the unit as possible to establish actual voltage when the current is flowing. (Refer to Chapter 12 Technical specification for power supply requirements.)

Product will not boot up (re-boot loop)

Possible causes	Possible solutions
Power supply and connection	See possible solutions from 'Products does not turn on or keeps turning off' above.
Software corruption	In the unlikely event that the products software has become corrupted please try re-flashing the latest software from the Raymarine website.





Product does not turn on or keeps turning off

Possible causes	Possible solutions
Blown fuse / tripped breaker	<ol style="list-style-type: none"> 1. Check condition of relevant fuses and breakers and connections, replace if necessary (Refer to Chapter 12 Technical specification for fuse ratings.) 2. If fuse keeps blowing check for cable damage, broken connector pins or incorrect wiring.
Poor / damaged / insecure power supply cable / connections	<ol style="list-style-type: none"> 1. Check that the power cable connector is fully inserted into the unit and locked in position. 2. Check the power supply cable and connectors for signs of damage or corrosion, replace if necessary. 3. With the unit turned on, try flexing the power cable near to the display connector to see if this causes the unit to re-boot/loose power, replace if necessary. 4. Check the vessel's battery voltage, the condition of the battery terminals and power supply cables, ensuring connections are secure, clean and free from corrosion, replace if necessary. 5. With the product under load, using a multi-meter, check for high voltage drop across all connectors/fuses etc, replace if necessary.
Incorrect power connection	The power supply may be wired incorrectly, ensure the installation instructions have been followed. (Refer to Chapter 4 Cables and connections for cable and connection requirements.)
Power source insufficient	With the product under load, using a multi-meter, check the power supply voltage as close to the unit as possible to establish actual voltage when the current is flowing. (Refer to Chapter 12 Technical specification for power supply requirements.)

Wired handset will not power up

Possible causes	Possible solutions
Handset not turned on	The Wired handset is compatible with the Ray60, Ray63, Ray70, Ray73, Ray90 and Ray91 radios. The Wired handset is supplied power from the Base station. Press the Power button located on the top of the Handset to power it on.
Software Base station / Handset mismatch	The Handset and Base station must both be running compatible software, refer to the <i>'Software updates'</i> section or the Raymarine website for details of compatible software versions: www.raymarine.com/software .
Poor / damaged / insecure cables / connections	<ol style="list-style-type: none"> 1. Check that the Base station is correctly powered. 2. With the Handset turned on, try flexing the cable near to the connectors to see if this causes the Handset to re-boot/loose power, replace if necessary. 3. Check cable connections are secure, clean and free from corrosion, replace if necessary.





10.3 VHF Radio troubleshooting

Problems with your VHF radio and their possible causes and solutions are described below:

DSC functions are not available / working

Possible Causes	Possible Solutions
MMSI number not programmed.	Programme your MMSI number.
Radio is set to ATIS or Marcom-C mode.	Use of DSC is not permitted when in ATIS or Marcom-C mode. You will be unable to make DSC distress and other types of digital selective call. If you are not in an ATIS region switch off ATIS mode: Menu > Set-up > ATIS set-up > ATIS.
Sensitivity set to Local.	With the sensitivity set to Local your reception will be limited Set Sensitivity to Distant: Menu > Set-up > Sensitivity.

Passive speaker no alarm audio

Possible Causes	Possible Solutions
Passive speaker connected to second station connector.	Alarm audio is not available on passive speakers connected to the second station connector. Alarm audio should still be heard via the second station handset.





10.4 GNSS (GPS) troubleshooting

Problems with the GNSS (GPS) and their possible causes and solutions are described below.

Before troubleshooting GNSS (GPS) problems, ensure your product has the latest software, by checking the Software Updates page on the Raymarine website www.raymarine.com.

No fix

Possible causes	Possible solutions
No GNSS (GPS) receiver connected.	In order to obtain a position fix your product requires a GNSS (GPS) receiver. Your product may include an internal GNSS (GPS) receiver, if not then an external GNSS (GPS) receiver such as the RS150 is required.
No antenna connected to GNSS (GPS) receiver.	Depending on variant, your product may include an internal GNSS (GPS) receiver. The receiver may or may not include an internal antenna. If your product's internal GNSS (GPS) receiver does not include an internal antenna then you will need to connect an external passive antenna to the GNSS (GPS) / GA150 connection.
GNSS (GPS) Antenna location.	For optimum performance, external GNSS (GPS) antennas and GNSS (GPS) receivers that include an internal antenna should be mounted above decks and have a clear, unobstructed view of the sky, and not be in close proximity to any structural bulkheads or other electrical equipment or cables which may cause interference.
GNSS (GPS) switched off.	Ensure your internal GNSS (GPS) receiver is switched on in the relevant settings menu.
Geographic location or prevailing conditions preventing satellite fix.	Check periodically to see if a fix is obtained in better conditions or another geographic location.

No position data

Possible causes	Possible solutions
Internal receiver is switched off.	Ensure your external or internal receiver is switched on.
Wrong Network output selected.	Ensure the correct network type and speed is selected in the Network output menu: Menu > Set-up > Network output .
Poor / damaged / insecure cable / connection.	<ol style="list-style-type: none"> 1. Check that the connectors are fully inserted into the unit and locked in position. 2. Check the cables and connectors for signs of damage or corrosion, replace if necessary. 3. Check the vessel's battery voltage, the condition of the battery terminals and power supply cables, ensuring connections are secure, clean and free from corrosion, replace if necessary. 4. With the product under load, using a multi-meter, check for high voltage drop across all connectors/fuses etc, replace if necessary.





GPS data output

The Ray52 and Ray70 include an internal GPS receiver. However, these products do NOT output GPS data to external devices.







Chapter 11: Technical support

Chapter contents

- [11.1 Raymarine product support and servicing on page 84](#)
- [11.2 Viewing product information on page 85](#)
- [11.3 Learning resources on page 85](#)



11.1 Raymarine product support and servicing

Raymarine provides a comprehensive product support service, as well as warranty, service, and repairs. You can access these services through the Raymarine website, telephone, and e-mail.

Product information

If you need to request service or support, please have the following information to hand:

- Product name.
- Product identity.
- Serial number.
- Software application version.
- System diagrams.

You can obtain this product information using the menus within your product.

Servicing and warranty

Raymarine offers dedicated service departments for warranty, service, and repairs.

Don't forget to visit the Raymarine website to register your product for extended warranty benefits: <http://www.raymarine.co.uk/display/?id=788>.

Region	Tele- phone	E-mail
United Kingdom (UK), EMEA, and Asia Pacific	+44 (0)1329 246 932	emea.service@raymarine.com
United States (US)	+1 (603) 324 7900	rm-usrepair@fir.com

Web support

Please visit the "Support" area of the Raymarine website for:

- **Manuals and Documents** — <http://www.raymarine.com/manuals>
- **FAQ / Knowledgebase** — <http://www.raymarine.com/knowledgebase>
- **Technical support forum** — <http://forum.raymarine.com>
- **Software updates** — <http://www.raymarine.com/software>

Telephone and e-mail support

Region	Tele- phone	E-mail
United Kingdom (UK), EMEA, and Asia Pacific	+44 (0)1329 246 777	support.uk@raymarine.com
United States (US)	+1 (603) 324 7900 (Toll-free: +800 539 5539)	support@raymarine.com
Australia and New Zealand	+61 2 8977 0300	aus.support@raymarine.com (Raymarine subsidiary)
France	+33 (0)1 46 49 72 30	support.fr@raymarine.com (Raymarine subsidiary)
Germany	+49 (0)40 237 808 0	support.de@raymarine.com (Raymarine subsidiary)

Region	Tele- phone	E-mail
Italy	+39 02 9945 1001	support.it@raymarine.com (Raymarine subsidiary)
Spain	+34 96 2965 102	sat@azimut.es (Authorized Raymarine distributor)
Netherlands	+31 (0)26 3614 905	support.nl@raymarine.com (Raymarine subsidiary)
Sweden	+46 (0)317 633 670	support.se@raymarine.com (Raymarine subsidiary)
Finland	+358 (0)207 619 937	support.fi@raymarine.com (Raymarine subsidiary)
Norway	+47 692 64 600	support.no@raymarine.com (Raymarine subsidiary)
Denmark	+45 437 164 64	support.dk@raymarine.com (Raymarine subsidiary)
Russia	+7 495 788 0508	info@mikstmarine.ru (Authorized Raymarine distributor)



11.2 Viewing product information

Product information can be found on the Startup screen.

1. Power up the radio.




The startup screen is displayed which shows the model and software version of the product.

Alternatively product information can also be displayed by selecting **About this unit** from the **Maintenance** menu: **Menu > Set-up > Maintenance**.

11.3 Learning resources

Raymarine has produced a range of learning resources to help you get the most out of your products.

Video tutorials

	<p>Raymarine official channel on YouTube:</p> <ul style="list-style-type: none"> • http://www.youtube.com/user/RaymarineInc <p>LightHouse 3 video tutorials:</p> <ul style="list-style-type: none"> • http://www.raymarine.com/multifunction-displays/light-house3/tips-and-tricks
	<p>Video Gallery:</p> <ul style="list-style-type: none"> • http://www.raymarine.co.uk/view/?id=2679
	<p>Product Support videos:</p> <ul style="list-style-type: none"> • http://www.raymarine.co.uk/view/?id=4952

Note:

- Viewing the videos requires a device with an Internet connection.
- Some videos are only available in English.

Training courses

Raymarine regularly runs a range of in-depth training courses to help you make the most of your products. Visit the Training section of the Raymarine website for more information:

- <http://www.raymarine.co.uk/view/?id=2372>

FAQs and Knowledge Base

Raymarine has produced an extensive set of FAQs and a Knowledge Base to help you find more information and troubleshoot any issues.

- <http://www.raymarine.co.uk/knowledgebase/>

Technical support forum

You can use the Technical support forum to ask a technical question about a Raymarine product or to find out how other customers are using their Raymarine equipment. The resource is regularly updated with contributions from Raymarine customers and staff.

- <http://forum.raymarine.com>







Chapter 12: Technical specification

Chapter contents

- [12.1 Technical specification — Ray53 on page 88](#)
- [12.2 Technical specification — Ray63 on page 89](#)
- [12.3 Technical specification — Ray73 on page 90](#)
- [12.4 Radio usage on page 92](#)



12.1 Technical specification — Ray53

Environmental specification

Operating temperature	-20°C (-4°F) to +60°C (140°F)
Storage temperature	-25°C (-13°F) to +70°C (158°F)
Relative humidity	95%
Water proofing	IPx6 & IPx7
Connections	<ul style="list-style-type: none"> • 1 x NMEA 0183 • 1 x SeaTalkng® / NMEA 2000 • 1 x Audio (RCA) • 1 x GNSS (GPS) antenna (TNC)

Power specification

Nominal supply voltage	12 V dc (Reverse polarity and over voltage protection)
Operating voltage range	9 V dc to 16 V dc
Current consumption	<ul style="list-style-type: none"> • Less than 6 A at high power (13.6 V) • Standby: 600 mA • Receive: 2 A

Transmitter

Channels	All available US, International and Canadian VHF marine bands
Frequency Range	156.000 MHz to 157.425 MHz / 155.500 MHz to 161.425 MHz (Private channels)

Frequency stability	+/- 1.5 ppm
Channel Spacing	12.5 kHz
Power Output	<ul style="list-style-type: none"> • Low power setting — 1 W • High power setting — 25 W
Spurious emissions	Better than -36 dBm at 25 W (Less than 0.25 µW)
Maximum deviation	+/- 5 kHz
Antenna impedance	50 Ohms (typical)

Receiver

Receiver type	Double conversion super heterodyne
Channels	All available US, International and Canadian VHF marine bands
Frequency range	156.050 MHz to 163.275 MHz / 155.500 MHz to 161.425 MHz (Private channels)
Sensitivity	Better than 1 microvolt EMF @ 20dB SINAD
Squelch sensitivity	Less than -2 dBµ EMF
Hum and noise	Better than -40 dB
Audio distortion	Less than 10%
Receiver sensitivity	<ul style="list-style-type: none"> • Distance — 119dBm (0.25µV) @ 12dB SINAD (typical) • Local — 110dBm (0.7µV) @ 12dB SINAD (typical)
Adjacent channel selectivity	More than 70 dB

Spurious response rejection	More than 70 dB
Inter modulation rejection	More than 68 dB

Speakers

Base station speaker power output	2.5 W (8 Ω)
Fistmic speaker power	1 W (16 Ω)
External speaker power	5 W (8 Ω)

GNSS (GPS)

Channels	72
Cold start	< 2 minutes
Receiver IC Sensitivity	-167 dBm (Tracking) / -148 dBm (Acquisition)
GNSS compatibility	<ul style="list-style-type: none"> • GPS • GLONASS • * Beidou
SBAS compatibility	<ul style="list-style-type: none"> • WAAS • EGNOS • MSAS
Special features	Active Jamming and Interference Reduction
Operating frequency	<ul style="list-style-type: none"> • GPS L1 C/A • GLONASS L10F • Beidou B1



Signal Acquisition	Automatic
Almanac Update	Automatic
Geodetic Datum	WGS-84 (alternatives available through Raymarine MFD)
Refresh Rate	10 Hz (10 times per second Concurrent GNSS)
Antenna	<ul style="list-style-type: none"> • Internal — Ceramic chip mounted near top of unit • External — Passive antenna connection via TNC connector
Position Accuracy	<ul style="list-style-type: none"> • Without SBAS: <= 15 metres 95% of the time • With SBAS: <= 5 metres 95% of the time

12.2 Technical specification — Ray63

Environmental specification

Operating temperature	-20°C (-4°F) to +60°C (140°F)
Storage temperature	-25°C (-13°F) to +70°C (158°F)
Relative humidity	95%
Water proofing	IPx6 & IPx7
Connections	<ul style="list-style-type: none"> • 1 x NMEA 0183 • 1 x SeaTalkng® / NMEA 2000 • 1 x Front Fistmic connection • 1 x Rear connection for 2nd station • 1 x Audio (RCA) • 1 x GNSS (GPS) antenna (TNC)

Power specification

Nominal supply voltage	12 V dc (Reverse polarity and over voltage protection)
Operating voltage range	9 V dc to 16 V dc
Current consumption	<ul style="list-style-type: none"> • Less than 6 A at high power (13.6 V) • Standby: 600 mA • Receive: 2 A

Transmitter

Channels	All available US, International and Canadian VHF marine bands
Frequency Range	156.000 MHz to 157.425 MHz / 155.500 MHz to 161.425 MHz (Private channels)
Frequency stability	+/- 1.5 ppm
Channel Spacing	12.5 kHz
Power Output	<ul style="list-style-type: none"> • Low power setting — 1 W • High power setting — 25 W
Spurious emissions	Better than -36 dBm at 25 W (Less than 0.25 µW)
Maximum deviation	+/- 5 kHz
Antenna impedance	50 Ohms (typical)

Receiver

Receiver type	Double conversion super heterodyne
Channels	All available US, International and Canadian VHF marine bands
Frequency range	156.050 MHz to 163.275 MHz / 155.500 MHz to 161.425 MHz (Private channels)
Sensitivity	Better than 1 microvolt EMF @ 20dB SINAD
Squelch sensitivity	Less than -2 dBµ EMF
Hum and noise	Better than -40 dB
Audio distortion	Less than 10%





Receiver sensitivity	<ul style="list-style-type: none"> Distance — 119dBm (0.25uV) @ 12dB SINAD (typical) Local — 110dBm (0.7uV) @ 12dB SINAD (typical)
Adjacent channel selectivity	More than 70 dB
Spurious response rejection	More than 70 dB
Inter modulation rejection	More than 68 dB

Speakers

Base station speaker power output	2.5 W (8 Ω)
Fistmic speaker power output	1 W (16 Ω)
External speaker power output	5 W (8 Ω)
Handset speaker power output	1 W (16 Ω)

GNSS (GPS)

Channels	72
Cold start	< 2 minutes
Receiver IC Sensitivity	-167 dBm (Tracking) / -148 dBm (Acquisition)
GNSS compatibility	<ul style="list-style-type: none"> GPS GLONASS * Beidou

SBAS compatibility	<ul style="list-style-type: none"> WAAS EGNOS MSAS
Special features	Active Jamming and Interference Reduction
Operating frequency	<ul style="list-style-type: none"> GPS L1 C/A GLONASS L10F Beidou B1
Signal Acquisition	Automatic
Almanac Update	Automatic
Geodetic Datum	WGS-84 (alternatives available through Raymarine MFD)
Refresh Rate	10 Hz (10 times per second Concurrent GNSS)
Antenna	<ul style="list-style-type: none"> Internal — Ceramic chip mounted near top of unit External — Passive antenna connection via TNC connector
Position Accuracy	<ul style="list-style-type: none"> Without SBAS: <= 15 metres 95% of the time With SBAS: <= 5 metres 95% of the time

12.3 Technical specification — Ray73

Environmental specification

Operating temperature	-20°C (-4°F) to +60°C (140°F)
Storage temperature	-25°C (-13°F) to +70°C (158°F)
Relative humidity	95%
Water proofing	IPx6 & IPx7
Connections	<ul style="list-style-type: none"> 1 x NMEA 0183 1 x SeaTalkng® / NMEA 2000 1 x Front Fistmic connection 1 x Rear connection for 2nd station 1 x Audio (RCA) 1 x Loud Hailer connection wires 1 x GNSS (GPS) antenna (TNC)

Power specification

Nominal supply voltage	12 V dc (Reverse polarity and over voltage protection)
Operating voltage range	9 V dc to 16 V dc
Current consumption	<ul style="list-style-type: none"> Less than 6 A at high power (13.6 V) Standby: 600 mA Receive: 2 A Loud hailer: 3 A (8 Ω) / 6 A (4 Ω)





Transmitter

Channels	All available US, International and Canadian VHF marine bands
Frequency Range	156.000 MHz to 157.425 MHz / 155.500 MHz to 161.425 MHz (Private channels)
Frequency stability	+/- 1.5 ppm
Channel Spacing	12.5 kHz
Power Output	<ul style="list-style-type: none"> Low power setting — 1 W High power setting — 25 W
Spurious emissions	Better than -36 dBm at 25 W (Less than 0.25 µW)
Maximum deviation	+/- 5 kHz
Antenna impedance	50 Ohms (typical)

Receiver

Receiver type	Double conversion super heterodyne
Channels	All available US, International and Canadian VHF marine bands
Frequency range	156.050 MHz to 163.275 MHz / 155.500 MHz to 161.425 MHz (Private channels)
Sensitivity	Better than 1 microvolt EMF @ 20dB SINAD
Squelch sensitivity	Less than -2 dBµ EMF
Hum and noise	Better than -40 dB
Audio distortion	Less than 10%

Receiver sensitivity	<ul style="list-style-type: none"> Distance — 119dBm (0.25uV) @ 12dB SINAD (typical) Local — 110dBm (0.7uV) @ 12dB SINAD (typical)
Adjacent channel selectivity	More than 70 dB
Spurious response rejection	More than 70 dB
Inter modulation rejection	More than 68 dB

Speakers

Base station speaker power output	2.5 W (8 Ω)
Fistmic speaker power output	1 W (16 Ω)
External speaker power output	5 W (8 Ω)
Handset speaker power output	1 W (16 Ω)
Hailer speaker power output	25 W (4 Ω) / 12 W (8 Ω)

AIS

Class type	AIS receiver only
------------	-------------------

GPS

Channels	72
Cold start	< 2 minutes
Receiver IC Sensitivity	-167 dBm (Tracking) / -148 dBm (Acquisition)

GNSS compatibility	<ul style="list-style-type: none"> GPS GLONASS * Beidou
SBAS compatibility	<ul style="list-style-type: none"> WAAS EGNOS MSAS
Special features	Active Jamming and Interference Reduction
Operating frequency	<ul style="list-style-type: none"> GPS L1 C/A GLONASS L10F Beidou B1
Signal Acquisition	Automatic
Almanac Update	Automatic
Geodetic Datum	WGS-84 (alternatives available through Raymarine MFD)
Refresh Rate	10 Hz (10 times per second Concurrent GNSS)
Antenna	<ul style="list-style-type: none"> Internal — Ceramic chip mounted near top of unit External — Passive antenna connection via TNC connector
Position Accuracy	<ul style="list-style-type: none"> Without SBAS: <= 15 metres 95% of the time With SBAS: <= 5 metres 95% of the time





12.4 Radio usage

The radio can be used worldwide, including the following European countries:

AT	CZ	FI	IE	LU	PL	SK
BE	DE	FR	IS	LV	PT	TR
BG	DK	GB	IT	MT	RO	
CH	EE	GR	LI	NL	SE	
CY	ES	HU	LT	NO	SI	





Appendix A NMEA 0183 sentences

The radio supports the following **NMEA 0183** sentences.

Sentence	Description	Ray50 / Ray52 / Ray60		Ray70	
		Receive	Transmit	Receive	Transmit
DSC	Digital Selective Calling		●		●
DSE	Expanded Digital Selective Calling		●		●
VDM	AIS VHF Data Link Message				●
GGA	Global Positioning System Fix Data	●		●	
GLL	Geographic Position — Lat/Long	●		●	
GNS	GNSS Fix Data	●		●	
RMA	Recommended Minimum Specific Loran-C Data	●		●	
RMC	Recommended Minimum Specific GNSS Data	●		●	
DTM	Datum	●		●	





Appendix B NMEA 2000 PGN list

The radio supports the following **NMEA 2000** PGNs. These are applicable to **NMEA 2000** and **SeaTalkng**® protocols.

PGN	Description	Ray50 / Ray52 / Ray60		Ray70	
		Receive	Transmit	Receive	Transmit
59392	ISO Request	●	●	●	●
59904	ISO Acknowledgement	●	●	●	●
60928	ISO Address Claim	●	●	●	●
126208	NMEA – Group Function	●	●	●	●
126464	PGN List		●		●
126996	Product Information		●		●
127258	Magnetic variation	●		●	
129026	COG / SOG Rapid Update	●		●	
129029	GNSS Position Data	●		●	
129038	AIS Class A Position Report				●
129039	AIS Class B Position Report				●
129040	AIS Class B Extended Position Report				●
129041	AIS Aids to Navigation (AtONs)				●
129044	Datum	●		●	
129793	AIS UTC and Date Report				●
129794	AIS Class A Static and Voyage Related data				●
129798	AIS SAR Aircraft Position Report				●
129801	AIS Addressed Safety Related Message				●
129802	AIS Safety Related Broadcast Message				●
129808	DSC Call Information		●		●





PGN	Description	Ray50 / Ray52 / Ray60		Ray70	
		Receive	Transmit	Receive	Transmit
129809	AIS Class B "CS" Static Data Report, Part A				●
129810	AIS Class B "CS" Static Data Report, Part B				●





Appendix C MMSI Regulatory bodies and application submissions

Country	Regulatory Body	Website links
UK	Ofcom	http://www.ofcom.org.uk
USA	FCC (www.fcc.gov)	<ul style="list-style-type: none">• www.boatus.com• www.seatow.com• www.usps4mmsi.com
Canada	Industry Canada	www.ic.gc.ca
Australia	Australian Maritime Safety Authority (AMSA)	http://www.amsa.gov.au/mmsi/
Holland	Agentschap Telecom	www.agentschaptelecom.nl
Belgium	Belgisch Instituut voor Postdiensten en Telecommunicatie	www.bipt.be
Germany	Bundesnetzagentur	https://www.bundesnetzagentur.de/DE/Sachgebiete/Telekommunikation/Unternehmen_Institutionen/Frequenzen/SpezielleAnwendungen/Seefunk/See-funk-node.html
Denmark	søfartsstyrelsen	www.sofartsstyrelsen.dk
France	Agence Nationale Des Fréquences	https://www.anfr.fr/licences-et-autorisations/radiomaritime/
Italy	Ministero dello sviluppo economico - Direzione generale per le attività territoriali	http://www.sviluppoeconomico.gov.it/images/stories/documenti/mmsinew.pdf
Spain	Ministero De Fomento	https://www.fomento.gob.es/MFOM/LANG_CASTELLANO/DIRECCIONES_GENERALES/MARINA_MERCANTE/RADIOCOMUNICACIONES/MMSI/
Sweden	PTS	www.pts.se
Finland	Viestintävirasto	https://www.viestintavirasto.fi/en/spectrum/radiolicences/Boatingandnavigation.html
Iceland	Post and telecom administration in Iceland	www.pfs.is
New Zealand	Radio Spectrum Management	https://www.rsm.govt.nz/licensing/radio-operator-certificates-and-callsigns?searchterm=MMSI





Country	Regulatory Body	Website links
Chile	Directemar	www.nauticentro.cl
Panama	Autoridad Maritima de Panama	www.amp.gob.pa/newside/spanish/puertos2/depima/ima.html





Appendix D VHF Channels

International Marine VHF Channels and Frequencies

CH No.	TX Freq	RX Freq (MHz)	Single Freq (MHz)	Use
01	156.050	160.650		Public correspondence, Port operations and Ship movement.
02	156.100	160.700		Public correspondence, Port operations and Ship movement.
03	156.150	160.750		Public correspondence, Port operations and Ship movement.
04	156.200	156.800		Public correspondence, Port operations and Ship movement.
05	156.250	156.850		Public correspondence, Port operations and Ship movement.
06	156.300	156.300	x	Intership. Coordinated search and rescue and ship stations working frequency
07	156.350	160.950		Public correspondence, Port operations and Ship movement.
08	156.400	156.400	x	Intership. Preferred intership channel
09	156.450	156.450	x	Intership, Port operations and Ship movement.
10	156.500	156.500	x	Intership, Port operations and Ship movement. SAR, Pollution incidents, MSI broadcasts coordinated with HMCG.
11	156.550	156.550	x	Port operations and Ship movement.
12	156.600	156.600	x	Port operations and Ship movement.
13	156.650	156.650	x	Intership navigation safety (Bridge-to-bridge). International navigation safety channel. May also be used for ship movement, port operations and limited coast stations.
14	156.700	156.700	x	Port operations and Ship movement.
15	156.750	156.750	x	On-board communications. 1 watt maximum power.
16	156.800	156.800	x	International Distress, Safety and Calling.
17	156.850	156.850	x	On-board communications. 1 watt maximum power.





CH No.	TX Freq	RX Freq (MHz)	Single Freq (MHz)	Use
18	156.900	161.500		Public correspondence, Port operations and Ship movement.
19	156.950	161.550		Public correspondence, Port operations and Ship movement.
1019	156.950	156.950	x	Port operations and Ship movement.
2019	161.550	161.550	x	Port operations and Ship movement. Channel is limited to coast stations only unless otherwise permitted by UK regulation.
20	157.000	161.600		Public correspondence, Port operations and Ship movement.
1020	157.000	157.000	x	Public correspondence, Port operations and Ship movement.
2020	161.600	161.600	x	Public correspondence, Port operations and Ship movement. Channel is limited to coast stations only unless otherwise permitted by UK regulation.
21	157.050	161.650		Public correspondence, Port operations and Ship movement. Available for VDSMS
22	157.100	161.700		Public correspondence, Port operations and Ship movement. Available for VDSMS
23	157.150	161.750		Safety. HNCG – SAR and MSI broadcasts.
24	157.200	161.800		Public correspondence, Port operations and Ship movement. Available for VDSMS
1024	157.200	157.200	x	For future use
2024	161.800	161.800	x	For future use
25	157.250	161.850		Public correspondence, Port operations and Ship movement. Available for VDSMS
1025	157.250	157.250	x	For future use
2025	161.850	161.850	x	For future use
26	157.300	161.900		Public correspondence, Port operations and Ship movement. Available for VDSMS
1026	157.300	157.300	x	For future use
2026	161.900	161.900	x	For future use





CH No.	TX Freq	RX Freq (MHz)	Single Freq (MHz)	Use
27	157.350	161.950		Public correspondence, Port operations and Ship movement. Available for testing of new AIS applications.
1027	157.350	157.350	x	Port operations and Ship movement.
2027	161.950	161.950	x	Application specific message (ASM1)
28	157.400	162.000		Public correspondence, Port operations and Ship movement. Available for testing of new AIS applications.
1028	157.400	157.400	x	Port operations and Ship movement.
2028	162.00	162.00	x	Application specific message (ASM2)
60	156.025	160.625		Public correspondence, Port operations and Ship movement.
61	156.075	160.675		Public correspondence, Port operations and Ship movement.
62	156.125	160.725		Public correspondence, Port operations and Ship movement.
63	156.175	160.775		Public correspondence, Port operations and Ship movement.
64	156.225	160.825		Public correspondence, Port operations and Ship movement.
65	156.275	160.875		UK National Coastwatch.
66	156.325	160.925		Public correspondence, Port operations and Ship movement.
67	156.375	156.375	x	Intership, Port operations and Ship movement. HMCG — SAR and Safety.
68	156.425	156.425	x	Port operations and Ship movement.
69	156.475	156.475	x	Intership, Port operations and Ship movement.
71	156.575	156.575	x	Port operations and Ship movement.
72	156.625	156.625	x	Intership. Preferred intership channel.
73	156.675	156.675	x	Intership, Port operations and Ship movement. HMCG — SAR and MSI broadcasts.
74	156.725	156.725	x	Port operations and Ship movement.





CH No.	TX Freq	RX Freq (MHz)	Single Freq (MHz)	Use
75	156.775	156.775	x	Intership Navigation related communications only with 1 watt maximum power.
76	156.825	156.825	x	Intership Navigation related communications only with 1 watt maximum power.
77	156.875	156.875	x	Intership. Preferred intership channel.
78	156.925	161.525		Public correspondence, Port operations and Ship movement.
1078	156.925	156.925	x	Port operations and Ship movement.
2078	161.525	161.525	x	Port operations and Ship movement. Channel is limited to coast stations only unless otherwise permitted by UK regulation.
79	156.975	161.575		Public correspondence, Port operations and Ship movement.
1079	156.975	156.975	x	Port operations and Ship movement.
2079	161.575	161.575	x	Port operations and Ship movement. Channel is limited to coast stations only unless otherwise permitted by UK regulation.
80	157.025	161.625		Public correspondence, Port operations and Ship movement. Also marinas and yacht clubs UK only. Available for VDSMS.
81	157.075	161.675		Public correspondence, Port operations and Ship movement. Available for VDSMS
82	157.125	161.725		Public correspondence, Port operations and Ship movement. Available for VDSMS
83	157.175	161.775		Public correspondence, Port operations and Ship movement. Available for VDSMS
84	157.225	161.825		Port operations and Ship movement. HMCG — SAR and MSI broadcasts.
1084	157.225	157.225	x	For future use
2084	161.825	161.825	x	For future use
85	157.275	161.875		Public correspondence, Port operations and Ship movement. Available for VDSMS





CH No.	TX Freq	RX Freq (MHz)	Single Freq (MHz)	Use
1085	157.275	157.275	x	For future use
2085	161.875	161.875	x	For future use
86	157.325	161.925		Port operations and Ship movement. HMCG — SAR and MSI broadcasts.
1086	157.325	157.325	x	For future use
2086	161.925	161.925	x	For future use
87	157.375	157.375	x	Port operations and Ship movement. Available for testing of new AIS applications.
88	157.425	157.425	x	Port operations and Ship movement. Available for testing of new AIS applications.

Please be aware that:

- Intership channels are for communications between ship stations. Intership communications should be restricted to channels 6, 8, 72 and 77. If these are not available, the other channels marked for Intership may be used.
- Channel 70 is used exclusively for Digital Selective Calling (DSC) and is not available for regular voice communications.

Note:

1. Channel 06 may also be used for communications between ship stations and aircraft engaged in coordinated search and rescue operations. Ship stations should avoid harmful interference to such communications on channel 06 as well as to communications between aircraft stations, ice breakers and assisted ships during ice seasons.
2. Within the European Maritime Area and in Canada, channels 10, 67 and 73 may also be used by the individual administrations concerned for communication between ship stations, aircraft stations and participating land stations engaged in coordinated search and rescue and anti-pollution operations in local areas. Channel 10 or 73 (depending on location) are also used for the broadcast of Marine Safety Information by the Maritime and Coast Guard Agency in the UK only.
3. Channel 13 is designated for use on a worldwide basis as a navigation safety communication channel, primarily for intership navigation safety communications.
4. Channels 15 and 17 may also be used for on-board communications provided the effective radiated power does not exceed 1 Watt.
5. The use of channels 75 and 76 should be restricted to navigation related communications only and all precautions should be taken to avoid harmful interference to channel 16. Transmit power is limited to 1 Watt.





Private Channels (Europe only)

Country	Channel Designations	TX Freq	RX Freq	Channel Use
Belgium	96	162.425	162.425	Marina
Denmark	L1	155.500	155.500	Pleasure
	L2	155.525	155.525	Pleasure
Finland, Norway & Sweden	L1	155.500	155.500	Pleasure
	L2	155.525	155.525	Pleasure
	L3	155.650	155.650	Pleasure
Holland (Netherlands)	31	157.550	162.150	Marina
	37	157.850	157.850	Leisure
Denmark, Finland, Norway & Sweden	F1	155.625	155.625	Fishing
	F2	155.775	155.775	Fishing
	F3	155.825	155.825	Fishing
United Kingdom	M1	157.850	157.850	Marina
	M2	161.425	161.425	Marina

The national channels listed above have been allocated for the specific use within the countries listed. To use these channels you must have the appropriate license.

US Marine VHF Channels and Frequencies

Note:

Some of the channel numbers have recently changed. For completeness, both old and new numbers are shown in the table below.

(New) CH No.	(Old) CH No.	TX Freq (MHz)	RX Freq (MHz)	Single Freq	Use
1001	01A	156.050	156.050	x	Port operations and commercial, VTS. Available only in New Orleans / Lower Mississippi area.
1005	05A	156.250	156.250	x	Port operations or VTS in the Houston, New Orleans and Seattle areas.
06	06	156.300	156.300	x	Intership Safety.





(New) CH No.	(Old) CH No.	TX Freq (MHz)	RX Freq (MHz)	Single Freq	Use
1007	07A	156.350	156.350	x	Commercial. VDSMS.
08	08	156.400	156.400	x	Commercial (Intership only). VDSMS.
09	09	156.450	156.450	x	Boater calling. Commercial and Non-commercial. VDSMS.
10	10	156.500	156.500	x	Commercial. VDSMS.
11	11	156.550	156.550	x	Commercial. VTS in selected areas. VDSMS.
12	12	156.600	156.600	x	Port operations. VTS in selected areas.
13	13	156.650	156.650	x	Intership navigation safety (Bridge-to-bridge). Ships >20 metres in length maintain a listening watch on this channel in US waters.
14	14	156.700	156.700	x	Port operations. VTS in selected areas.
15	15	-	156.750	x	Environmental (Receive only). Used by Class 'C' EPIRBs.
16	16	156.800	156.800	x	International Distress, Safety and Calling. Ships required to carry radio, USCG, and most coast stations maintain a listening watch on this channel.
17	17	156.850	156.850	x	State Control.
1018	18A	156.900	156.900	x	Commercial. VDSMS.
1019	19A	156.950	156.950	x	Commercial. VDSMS.
20	20	157.000	161.600		Port operations (duplex).
1020	20A	157.000	157.000	x	Port operations.





(New) CH No.	(Old) CH No.	TX Freq (MHz)	RX Freq (MHz)	Single Freq	Use
1021	21A	157.050	157.050	x	US Coast Guard only.
1022	22A	157.100	157.100	x	Coast Guard Liaison and Maritime Safety Information Broadcasts. Broadcasts announced on channel 16.
1023	23A	157.150	157.150	x	US Coast Guard only.
24	24	157.200	161.800		Public correspondence (Marine operator).
25	25	157.250	161.850		Public correspondence (Marine operator).
26	26	157.300	161.900		Public correspondence (Marine operator).
27	27	157.350	161.950		Public correspondence (Marine operator).
28	28	157.400	162.000		Public correspondence (Marine operator).
1063	63A	156.175	156.175	x	Port operations and commercial VTS, Available only in New Orleans / Lower Mississippi area.
1065	65A	156.275	156.275	x	Port operations.
1066	66A	156.325	156.325	x	Port operations.
67	67	156.375	156.375	x	Commercial. Used for bridge-to-bridge communications in lower Mississippi river (Intership only).
68	68	156.425	156.425	x	Non-commercial. VDSMS.
69	69	156.475	156.475	x	Non-commercial. VDSMS.
71	71	156.575	156.575	x	Non-commercial. VDSMS.
72	72	156.625	156.625	x	Non-commercial (Intership only). VDSMS.
73	73	156.675	156.675	x	Port operations.
74	74	156.725	156.725	x	Port operations.
77	77	156.875	156.875	x	Port operations (Intership only).





(New) CH No.	(Old) CH No.	TX Freq (MHz)	RX Freq (MHz)	Single Freq	Use
1078	78A	156.925	156.925	x	Non-commercial. VDSMS.
1079	79A	156.975	156.975	x	Commercial. Non-commercial in Great Lakes only. VDSMS.
1080	80A	157.025	157.025	x	Commercial. Non-commercial in Great Lakes only. VDSMS.
1081	81A	157.075	157.075	x	US Government only — Environmental protection operations.
1082	82A	157.125	157.125	x	US Government only.
1083	83A	157.175	157.175	x	US Coast Guard only.
84	84	157.225	161.825		Public correspondence (Marine operator). VDSMS.
85	85	157.275	161.875		Public correspondence (Marine operator). VDSMS.
86	86	157.325	161.925		Public correspondence (Marine operator). VDSMS.
87	87	157.375	161.975		Public correspondence (Marine operator). VDSMS.
88	88	157.425	157.425		Commercial, Intership only. VDSMS.

Please be aware that:

- Recreational boaters normally use channels listed as Non-commercial: 68, 69, 71, 72 1078.
- Channel 70 is used exclusively for DSC and is not available for regular voice communications.
- Channels 75 and 76 are reserved as guards bands for channel 16 and are not available for regular voice communications.



**Note:**

1. Four digit channels indicate simplex use of the ship station transmit side of an international semi-duplex channel. Operations are different from that of international operations on that channel.
2. Channel 13 should be used to contact a ship when there is danger of collision. All ships of length 20 metres or greater are required to guard VHF channel 13, in addition to VHF channel 16, when operating within US territorial waters.
3. Channel 15 is receive only.
4. Channel 16 is used for calling other stations or for distress calls.
5. Channel 17 and channel 77 have a fixed power output of 1 watt.
6. Channel 13 and channel 67 have an initial power output of 1 watt. User can temporarily override this restrictions to transmit at high power.
7. VDSMS (VHF Digital Small Message Services). Transmissions of short digital messages in accordance with RTCM Standard 12301.1 is allowed.

WX Channels (North America only)

Weather Channel	Frequency in MHz
WX1	162.550
WX2	162.400
WX3	162.475

Weather Channel	Frequency in MHz
WX4	162.425
WX5	162.450
WX6	162.500
WX7	162.525

Weather Channel	Frequency in MHz
WX8	161.650
WX9	161.775
WX10	163.275

Canadian Marine VHF Channels and Frequencies**Note:**

Some of the channel numbers have recently changed. For completeness, both old and new numbers are shown in the table below.

(New) CH No.	(Old) CH No.	TX Freq (MHz)	RX Freq (MHz)	Single Freq	Areas of operation	Use
01	01	156.050	160.650		BCC	Public correspondence.
02	02	156.100	160.700		BCC	Public correspondence.
03	03	156.150	160.750		BCC	Public correspondence.
1004	04A	156.200	156.200	x	BCC, EC	Intership, Ship/Shore, Commercial and Safety DFO / Canadian Coast Guard only in BCC area. Commercial fishing in EC area.





(New) CH No.	(Old) CH No.	TX Freq (MHz)	RX Freq (MHz)	Single Freq	Areas of operation	Use
1005	05A	156.250	156.250	x	AC, BCC, EC, GL, NL, INLD BC, WC	Ship movement.
06	06	156.300	156.300	x	All areas	Intership, Commercial, Non-Commercial and Safety Maybe used for search and rescue communications between ships and aircraft.
1007	07A	156.350	156.350	x	AC, BCC, EC, GL, NL, INLD BC, WC	Intership, Ship/Shore and Commercial.
08	08	156.400	156.400	x	EC, INLD BC, WC	Intership, Commercial and Safety. Also assigned for Intership in the Lake Winnipeg area.
09	09	156.450	156.450	x	AC, INLD PRA, BCC	Intership, Ship/Shore, Commercial, Non-commercial, Safety and Ship movement. Commercial — BCC area. May be used to communicate with aircraft and helicopters in predominantly maritime support operations.
10	10	156.500	156.500	x	AC, BCC, GL	Intership, Ship/Shore, Commercial, Non-commercial, Safety and Ship movement. Commercial — BCC area. May also be used for communications with aircraft engaged in coordinated search and rescue and antipollution operations.
11	11	156.550	156.550	x	AC, BCC, GL	Intership, Ship/Shore, Commercial, Non-commercial and Ship movement. VTS — BCC area. Also used for pilotage purposes.
12	12	156.600	156.600	x	AC, BCC, GL, WC	Intership, Ship/Shore, Commercial, Non-commercial and Ship movement. VTS — BCC area. Port operations and pilot information and messages.
13	13	156.650	156.650	x	AC, BCC, EC, GL, NL, INLD BC, WC	Intership, Commercial, Non-commercial and Ship movement. VTS — BCC area. Bridge-to-bridge navigational traffic.
14	14	156.700	156.700	x	AC, BCC, GL	Intership, Ship/Shore, Commercial, Non-commercial and Ship movement. VTS — BCC area. Port operations and pilot information and messages.
15	15	156.750	156.750	x	AC, BCC, EC, GL, NL, INLD BC, WC	Intership, Ship/Shore, Commercial, Non-commercial and Ship movement. Port operations and Ship movement — BCC area. All operations limited to 1 watt maximum power. May also be used for on-board communications.
16	16	156.800	156.800	x	All areas	International distress, safety and calling.
17	17	156.850	156.850	x	AC, BCC, EC, GL, NL, INLD BC, WC	Intership, Ship/Shore, Commercial, Non-commercial and Ship movement. Port operations and Ship movement — BCC area. All operations limited to 1 watt maximum power. May also be used for on-board communications.





(New) CH No.	(Old) CH No.	TX Freq (MHz)	RX Freq (MHz)	Single Freq	Areas of operation	Use
1018	18A	156.900	156.900	x	AC, BCC, EC, GL, NL, INLD BC, WC	Intership, Ship/Shore and Commercial. Towing — BCC area.
1019	19A	156.950	156.950	x	All areas	Intership and Ship/Shore. DFO / Canadian Coast Guard. Pacific Pilots — BCC area.
20	20	157.00	161.600		AC, BCC, EC, GL, NL, INLD BC, WC	Ship/Shore, Safety and Ship movement. Port operations only with 1 watt maximum power.
1021	21A	157.050	157.050	x	All areas	Intership and Ship/Shore. DFO / Canadian Coast Guard only.
2021	21B	-	161.650	x	All areas	Safety Continuous Marine Broadcast (CMB) service.
1022	22A	157.100	157.100	x	All areas	Intership, Ship/Shore, Commercial and Non-commercial. For communications between Canadian Coast Guard and non-Canadian Coast Guard stations only.
23	23	157.150	161.750		BCC, INLD BC	Ship/Shore and Public correspondence.
2023	-	-	161.750	x	GL	Safety Continuous Marine Broadcast (CMB) service.
24	24	157.200	161.800		All areas	Ship/Shore and Public correspondence.
25	25	157.250	161.850		BCC	Ship/Shore and Public correspondence.
2025	25B	-	161.850	x	AC	Safety Continuous Marine Broadcast (CMB) service.
26	26	157.300	161.900		All areas	Safety and Public correspondence.
27	27	157.350	161.950		AC, BCC, GL	Ship/Shore and Public correspondence.
28	28	157.400	162.00		BCC	Ship/Shore, Safety and Public correspondence.
2028	28B	-	162.000	x	AC, GL	Safety Continuous Marine Broadcast (CMB) service.
60	60	156.025	160.625		BCC	Ship/Shore and Public correspondence.





(New) CH No.	(Old) CH No.	TX Freq (MHz)	RX Freq (MHz)	Single Freq	Areas of operation	Use
1061	61A	156.075	156.075	x	BCC	Intership, Ship/Shore and Commercial DFO / Canadian Coast Guard only in BCC area. Commercial fishing only in EC area.
1062	62A	156.125	156.125	x	BCC, EC	Intership, Ship/Shore and Commercial DFO / Canadian Coast Guard only in BCC area. Commercial fishing only in EC area.
1063		156.175	156.175	x	BCC	Intership, Ship/Shore and Commercial. Tow boats — BCC area.
64	64	156.225	160.825		BCC	Ship/Shore and Public correspondence.
1064	64A	156.225	156.225	x	EC	Intership, Ship/Shore and Commercial Commercial fishing only.
1065	65A	156.275	156.275	x	All areas	Intership, Ship/Shore, Safety, Commercial and Non-commercial. Search and rescue and antipollution operations on the Great Lakes. Towing on the Pacific coast. Port operations only in the St. Lawrence river area with 1 watt maximum power. Intership in INLD PRA area.
1066	66A	156.325	156.325	x	AC, BCC, EC, GL, NL, INLD BC, WC	Intership, Ship/Shore, Safety, Commercial and Non-commercial. Port operations only in the St. Lawrence river / Great Lakes areas with 1 watt maximum power. 1 watt marine channel in BCC area.
67	67	156.375	156.375	x	All areas	Intership Ship/Shore, Safety, Commercial and Non-commercial. May also be used for communications with aircraft engaged in coordinated search and rescue and antipollution operations. Commercial fishing only in EC and INLD PRA areas. Pleasure craft — BCC area.
68	68	156.425	156.425	x	All areas	Intership, Ship/Shore and Non-commercial. For marinas, yacht clubs and pleasure craft.
69	69	156.475	156.475	x	AC, BCC, EC, GL, NL, INLD BC, WC	Intership, Ship/Shore, Commercial and Non-commercial. Commercial fishing only — EC area. Pleasure craft — BCC area.
71	71	156.575	156.575	x	AC, BCC, EC, GL, NL, INLD BC, WC	Intership, Ship/Shore, Safety, Commercial, Non-commercial and Ship movement. Ship movement — BCC area. Marinas and yacht clubs — EC area and on Lake Winnipeg.
72	72	156.625	156.625	x	BCC, EC	Intership, Commercial and Non-commercial May be used to communicate with aircraft and helicopters in predominantly maritime support operations. Pleasure craft — BCC area.





(New) CH No.	(Old) CH No.	TX Freq (MHz)	RX Freq (MHz)	Single Freq	Areas of operation	Use
73	73	156.675	156.675	x	All areas	Intership, Ship/Shore, Safety, Commercial and Non-commercial. May also be used for communications with aircraft engaged in coordinated search and rescue and antipollution operations. Commercial fishing only in EC and INLD PRA areas.
74	74	156.725	156.725	x	BCC, EC	Intership, Ship/Shore, Commercial, Non-commercial and Ship movement. VTS and Ship movement — BCC area.
75		156.775	156.775	x	All areas	Intership, Ship/Shore, Commercial and Ship movement. Simplex port operation, ship movement and navigation related communication only. 1 watt maximum power.
76		156.825	156.825	x	All areas	Intership, Ship/Shore, Commercial and Ship movement. Simplex port operation, ship movement and navigation related communication only. 1 watt maximum power.
77	77	156.875	156.875	x	AC, BCC, EC, GL, NL, INLD BC, WC	Intership, Ship/Shore, Safety and Ship movement. Pilotage BCC area, 25 watts. Port operations only in the St. Lawrence River/Great Lakes areas with 1 watt maximum power.
1078	78A	156.925	156.925	x	BCC, EC	Intership, Ship/Shore and Commercial. Fishing industry — BCC area.
1079	79A	156.975	156.975	x	BCC, EC	Intership, Ship/Shore and Commercial. Fishing industry — BCC area.
1080	80A	157.025	157.025	x	BCC, EC	Intership, Ship/Shore and Non-commercial. Whale watching — BCC area.
1081	81A	157.075	157.075	x	AC, BCC, EC, GL, NL, INLD BC, WC	Intership, Ship/Shore and Safety. DFO / Canadian Coast Guard use only.
1082	82A	157.125	157.125	x	AC, BCC, EC, GL, NL, INLD BC, WC	Intership and Ship/Shore. DFO / Canadian Coast Guard use only.
1083	83A	157.175	157.175	x	BCC, EC	Intership and Ship/Shore DFO / Canadian Coast Guard and other government agencies.
2083	83B	-	161.775	x	AC, BCC, GL	Safety Continuous Marine Broadcast (CMB) service.
84	84	157.225	161.825		BCC	Ship/Shore and Public correspondence.





(New) CH No.	(Old) CH No.	TX Freq (MHz)	RX Freq (MHz)	Single Freq	Areas of operation	Use
85	85	157.275	161.875		AC, BCC, GL, NL	Ship/Shore and Public correspondence.
86	86	157.325	161.925		BCC	Ship/Shore and Public correspondence.
87	87	157.375	157.375	x	AC, BCC, GL, NL	Intership, Non-commercial and Ship movement. Port operation and ship movement — EC area. Pleasure craft — BCC area.
88	88	157.425	157.425	x	AC, BCC, GL, NL	Intership, Commercial and Ship movement. Port operation and ship movement — BCC area.

Area of operation:

- **AC** — Atlantic Coast, Gulf and St. Lawrence River up to and including Montreal.
- **BCC** — British Columbia Coast (Pacific Coast).
- **EC** — East Coast: includes NL, AC, GL and Eastern Arctic areas.
- **GL** — Great Lakes: includes St. Lawrence above Montreal.
- **NL** — Newfoundland and Labrador.
- **WC** — West Coast: includes BCC, Western Arctic and Athabasca-Mackenzie Watershed areas.
- **INLD BC** — Inland waters of BC and the Yukon
- **INLD PRA** — Inland waters of MB, SK and AB

Note:

1. Four digit channels indicate simplex use of the ship station transmit side of an international semi-duplex channel. Operations are different from that of international operations on that channel.
2. Channel 16 is used for calling other stations or for distress calls.
3. Channel 70 is used exclusively for Digital Selective Calling and is not available for regular voice communications.





Appendix E Phonetic alphabet

To help make call letters more clearly understood, and to assist in spelling out similar sounding or unfamiliar word, radiotelephone users employ the international phonetic alphabet.

A	ALPHA	N	NOVEMBER
B	BRAVO	O	OSCAR
C	CHARLIE	P	PAPA
D	DELTA	Q	QUEBEC
E	ECHO	R	ROMEO
F	FOXTROT	S	SIERRA
G	GOLF	T	TANGO
H	HOTEL	U	UNIFORM
I	INDIA	V	VICTOR
J	JULIET	W	WHISKEY
K	KILO	X	X-RAY
L	LIMA	Y	YANKEE
M	MIKE	Z	ZULU





Appendix F Prowords

Prowords can be used to simplify and speed up radio communications.

Proword	Meaning
ACKNOWLEDGE	Have you received and understood?
CONFIRM	Is that correct?
CORRECTION	An error has been made?
I SAY AGAIN	I repeat (e.g. important information).
I SPELL	Phonetically spelling of the word.
OUT	End of communication.
OVER	I have completed this part of the message and am inviting you to reply.
RECEIVED	Receipt acknowledgement.
SAY AGAIN	Repeat your message.
STATION CALLING	Used when a station is uncertain of the identity of a station which is calling.





Index

A

Additional components	16
AIS receiver	66
Applicable products	15
ATIS	
Enabling/Disabling	50, 66
ATIS ID	19, 50

B

Backlight adjustment	46
Bracket mounting	25
Brightness	
Adjustment	46
Shared	47

C

Cable bend radius	32
Cable protection	32
Cable routing	22, 32
Call log	60
Details	60
Types	60
Cleaning	74
Compass safe distance	22
Compatible MFDs	16
Connecting SeaTalkng® cables	37
Connections	34
Bare wires	32
Battery	34
DeviceNet	37
Distribution panel	35
Fistmic (Front)	36
Fistmic (Rear)	36
General cabling guidance	32
Loud hailer	39
NMEA 0183	37
NMEA 2000	37
Passive speaker	38
Primary station	33
Ray53	33

Ray63	33
Ray73	33
Raymic handset	36
SeaTalkng	37
Secondary station	33, 36
VHF antenna	38
Wire	32
Contact details	84
Contrast adjustment	46
Controls	
Base station	42
Fistmic	42
Raymic	42
Wired handset	42
Wireless handset	42

D

Declaration of Conformity	10
Digital Selective Calling, <i>See</i> DSC	
Dimensions	
Fistmic	24
Ray53	23
Ray63	24
Ray73	24
Raymic	24
Wired handset	24
Display set-up	67
Distress call	54–55
Cancelling	55
Documentation	14
Drilling	
Product holes	26–27
DSC set-up	62

E

Electromagnetic Compatibility	23
EMC	23

F

Front bezel	
Attaching	27





G

GNSS	
Antenna	16
Displayed data	52
Enabling/Disabling	51
Integrated	51
Internal	51
No position data	52
Position information	52
set-up	51
GPS, <i>See</i> GNSS	
Data output	81
Group call	58
Making	58
Receiving	58

H

Handset	
Power	43
Homescreen	44

I

Individual call	54
Making	58
Reason codes	58
Receiving	58
Installation	
Best practice	35
EMC guidelines	23
surface requirements	22
Ventilation	22
VHF antenna requirements	22
Intercom	71
Interference	
Compass	22
Electrical	22
RF	22

L

Licensing	
Europe and ROW Requirement	18

ISED Requirement	18
Requirement	18
USA Requirement	18
Loud hailer	70

M

Making designated call	55
Manual position	52
Mayday call	55
Menus	
Display set-up	67
DSC set-up	62
Fog	70
Hailer	70
Intercom	70
Main menu	45
Set-up	66
MMSI	18
Where to apply	96
MMSI number	49
Mounting	26–27
Bracket	25
Fistmic	28
Handset	28
Hole covers	26
Hook plate	28
Options	25
Panel	26–27
Pass-through panel kit	28
Product holes	26–27
Ray53	26
Ray63	27
Ray73	27
Raymic	28
Wired handset	28
MPE	22

N

Network	
Selection	49
NMEA	
Settings	
Baud rate	49
NMEA 0183	





Sentences (PGNs)	93
NMEA 2000	
PGNs	94

O

Optional components	16
---------------------------	----

P

Panel mounting	26–27
Parts supplied	
Ray53	17
Ray63	17
Ray73	17
Phonebook	60
Adding entry	60
Delete entry	60
Updating entry	60
Position request	59
Automatic response	59
Making	59
Responding	59
Power	34
Battery connection	34
Distribution	34
Distribution panel	35
Grounding	35
Sharing a breaker	35
Power cable extension	35
Product	
Documentation	14
overview	15
Product support	84

R

Radio Frequency (RF) interference	22
Routine call, <i>See</i> Individual call	

S

Safety call	54
-------------------	----

Making	57
Receiving	57
Scan mode	64
Setting	64
SeaTalkng documentation	14
SeaTalkng®	
Connecting cables	37
Securing cables	32
Service Center	84
Set-up menu	66
Shared brightness	47
Software update	19
Software version	19
Station priority	52
Status bar	44
Strain relief, <i>See</i> Cable protection	
Switching power output	51

T

Technical specification	87
Ray53	88
Ray60	89
Ray73	90
Technical support	84
Test call	61
Making	61
Receiving	61
Time	
Format	52
Offset	52
Tools required	25
Transmit power	51
Troubleshooting	76
GNSS	80
GPS	80
Power	77
Trunnion mounting	25

U

Urgency call	54
Making	57
Receiving	57





V

VHF antenna	16
VHF channels	
Canada	107
International	98
Private (Europe)	103
United States	103
Weather (North America)	107

W

Warranty	84
Watch mode	64
Dual watch	64
Setting	64
Triple watch	64
Water ingress	22
Waterproofing	22
WEEE Directive	11







Raymarine

Marine House, Cartwright Drive, Fareham, Hampshire.
PO15 5RJ, United Kingdom.

Tel: +44 (0)1329 246 700

www.raymarine.com

Raymarine®

a brand by  **FLIR®**

