



PH SUPERFLUSH AND POWERFLUSH

- *PH PowerFlush electric model can be switched to manual superflush within minutes.*
- *Upgrading to PH SuperFlush and PowerFlush is fast and easy! Mounting base configuration matches the bolt pattern used on most competitive toilets.*
- *Clear the bowl with less strokes! Our robust double-action piston pump is 66% larger than competitive models making its use quick, easy and efficient.*
- *Trouble free operation! Proprietary full size 1½" joker valve is specially designed to maintain pump performance.*
- *Available for 12V or 24V DC operation.*

Additional benefits include:

- **Effortless Pumping!** *Powerful telescopic lever style handle makes pumping a breeze, even in the most challenging plumbing installations.*
- **Superior strength!** *Our engineered polymer pump construction is the strongest on the market.*
- **Slow close seats!** *Prevents annoying seat slamming and includes a unique feature that locks the seat in place while boat is rocking.*

All units have a dry flush option and may be mounted above or below the waterline. Reversible pump mounting available for left hand operation. Available in both Marine and Household bowls sizes.

Prefer to use your old bowl and seat?

Retrofits are available – see reverse for part# details.

Most items are in stock and available to ship within 24 hours.

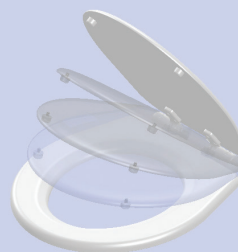


PH POWERFLUSH



PH SUPERFLUSH

NEW! Slow close seat design

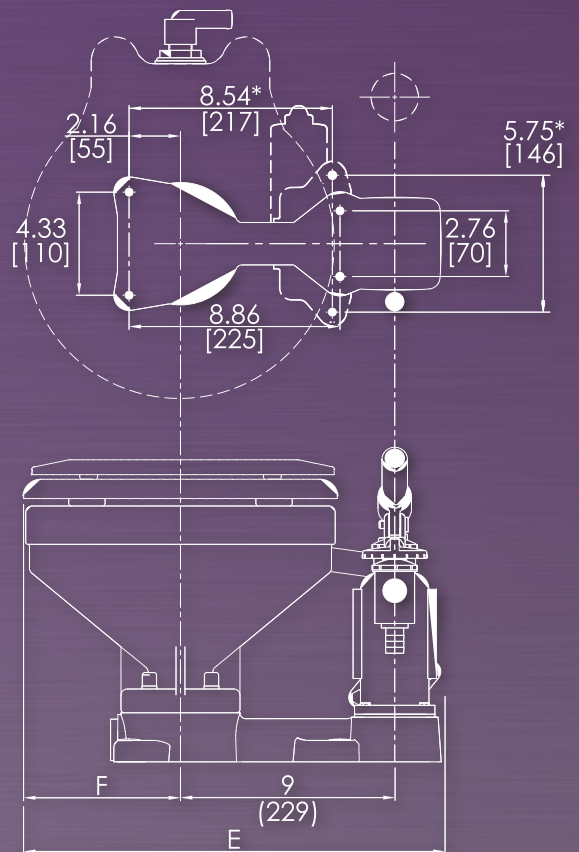
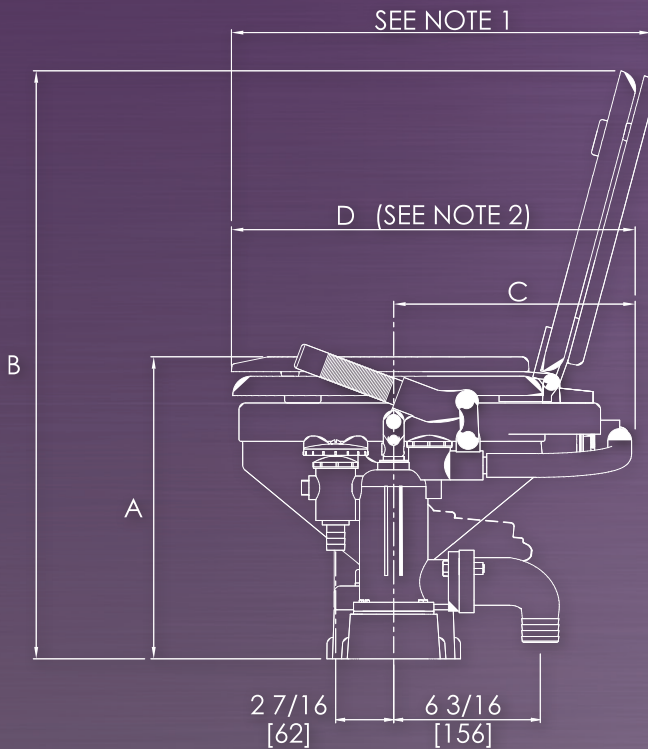


Seat locks in place while boat is rocking.

No more slamming seats!

To view our complete line as well as obtain installation and servicing guides: visit www.raritaneng.com

DRAWINGS:



NOTE:

1. THE SEAT WILL OPEN WITHIN THE DEPTH OF THE BOWL (D), HOWEVER, IT MAY BE DESIRABLE TO INCREASE THIS ANGLE BY ALLOWING MORE ROOM AT THE BACK OF THE BOWL FOR THE SEAT TO OPEN.
2. MARINE STYLE BOWL, D DIMENSION IS 17 3/8 [442MM] WITH HANDLE EXTENDED.
3. DIMENSIONS ARE FOR REFERENCE AS VITREOUS CHINA DIMENSIONS MAY VARY +/- 5%.

*: ELECTRIC FLUSH OPTION

| BOWL TYPE | A | B | C | D | E | F |
|-----------|-----------------|-----------------|-----------------|-----------------|-----------------|----------------|
| MARINE | 13 (330) | 24 3/4 (629) | 10 3/8 (264) | 17 1/4 (438) | 17 3/4 (451) | 6 1/2 (165) |
| HOUSEHOLD | 13 1/8 (334) | 27 7/8 (708) | 11 1/2 (292) | 20 (508) | 18 1/4 (464) | 7 (179) |

INCHES
(MM)

PLUMBING:

| | |
|---------------------------|------------|
| Maximum Lift | 4' (1.2m) |
| Max Discharge Loop Height | 15' (4.6m) |
| Inlet Port Size | 3/4" |
| Discharge Port Size | 1 1/2" |

ELECTRICAL:

| | 12V | 24V |
|-----------------|-----|-----|
| Max. Amp Draw | 8 | 4 |
| Circuit Breaker | 10 | 10 |

ORDERING INFO:

Sample Part: P101E12= Marine size bowl, electric drive 12V DC

| Model | Bowl (white) Size | Operation | Voltage |
|-------|---|----------------------------|--|
| P10 | 1- Marine size 2 - Household size 3 - Lower Assembly (No Bowl) 4- electric conversion kit | None-manual E- electric | None-manual 12- 12V DC 24- 24V DC T- 115V/230V AC |



www.RARITANENG.com

Raritan Engineering Company Inc.

530 Orange Street

Millville, NJ 08322, USA

Telephone: 856-825-4900 | Fax: 856-825-4409

e-mail: info@raritaneng.com

Southern Plant and Office

3101 SW 2nd Avenue

Ft. Lauderdale, FL 33315, USA

Telephone: 954-525-0378 | Fax: 954-764-4370