

# Diesel Spin-On - 120RMAM Series

# FUEL

## Specifications:

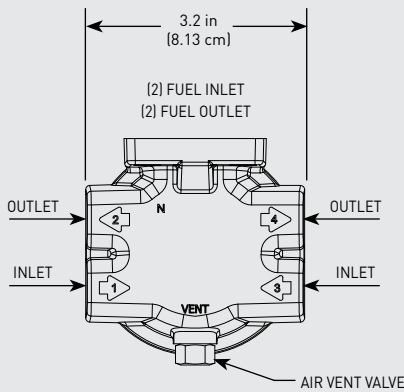
**Height:** 5.65" (14.35 cm)  
**Width:** 3.2" (8.13 cm)  
**Depth:** 3.31" (8.4 cm)  
**Weight (Dry):** 1.4 lbs (0.64 kg)  
**Fuel Flow Rate:** 15 gph (57 lph)  
**Ports:** 1/4-18 NPTF  
**Service Clearance:** 2.0" (5.1 cm)

Create a Part Number

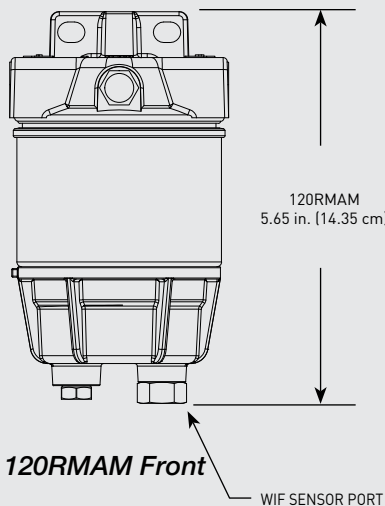
<b>Mounting Head</b>	4 Port 15 gph (57 lph)	<b>Bowl Material</b>	Marine - Metal Bowl	<b>Micron Rating</b>	2 Micron 30 Micron
	120R		MAM		2 30

**RACOR**<sup>®</sup>

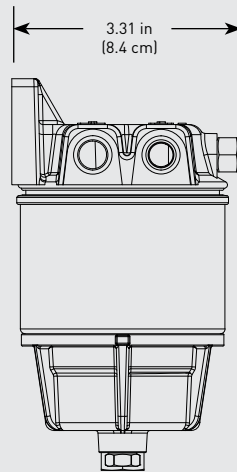
## Dimensions:



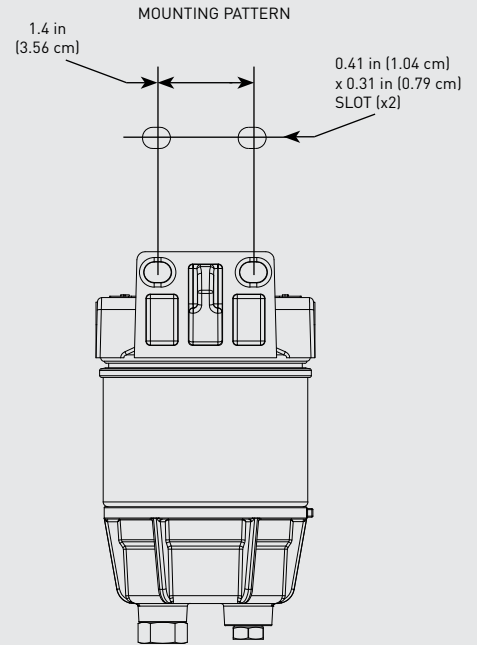
120RMAM Top



120RMAM Front



120RMAM Profile



120RMAM Back

ASSEMBLIES	DESCRIPTION
120RMAM2	FF/WS, Marine Metal Bowl, 15 gph Flow Rate, 2 Micron Filtration
120RMAM30	FF/WS, Marine Metal Bowl, 15 gph Flow Rate, 30 Micron Filtration

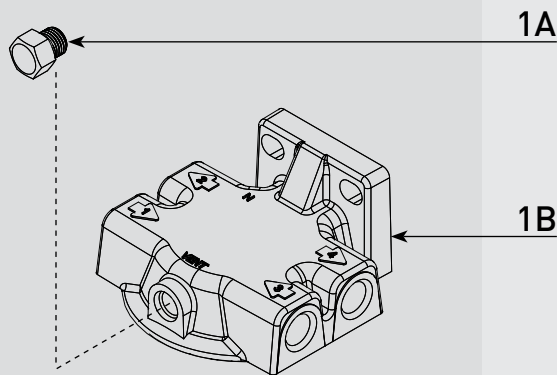


**WARNING:** The products described in this literature can expose you to chemicals including Diisononyl phthalate, Carbon black extract, which are known to the State of California to cause cancer. For more information go to [www.P65Warnings.ca.gov](http://www.P65Warnings.ca.gov).

# PARTS

## Diesel Spin-On - 120RMAM Series

1



Part #	Description
1A	RK 10110 Vent Plug Kit - 3/8-24 SAE Plug
1B	120 Series Head Assembly

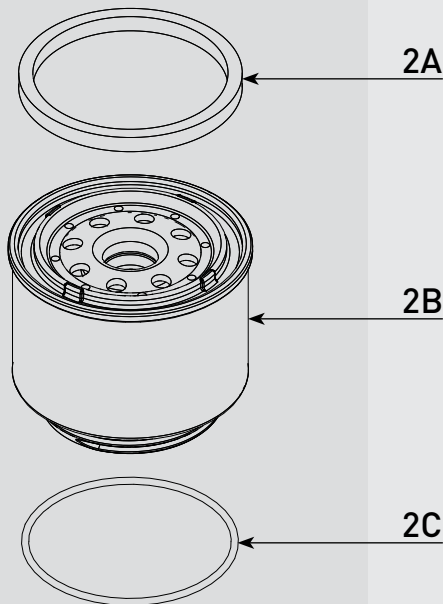
2A	Square Cut Gasket - <i>Included in 2B</i>
2B	R12SUL 120RMAM2 Replacement Filter - 2 micron - <i>Includes 2A, 2C</i> R12PUL 120RMAM30 Replacement Filter - 30 micron - <i>Includes 2A, 2C</i>
2C	Bowl O-ring - <i>Included in 2B &amp; 3A</i>

3A	RK 10226 Replacement Metal Bowl Kit - <i>Includes 2C, 3B, and 3C</i>
3B	Bowl Drain Port Plug Kit
3C	Bowl WIF Port Plug Kit

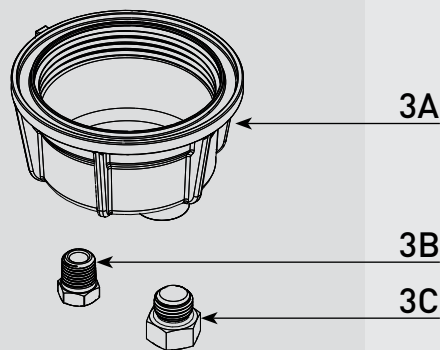
### Additional Parts (not shown)

4A	RK30880E WIF Sensor/Detection Kit - 1/2"-20 UNF RK23191 WIF Stainless Steel Probe Kit (1/2"-20 SAE - UL Listed/ABS Marine Type Approved) - No Internal Resistor, 12/24V - <i>Requires Water Detection Amplifier - See RSL7501 for available Probes, Sensors, and Amplifiers</i>
4B	RK 20726 Water Detection Module Kit - 12 or 24 vdc - <b>Includes Amplifier (Light and Buzzer) &amp; RK 21069 (WIF Probe)</b> <i>See RSL7501 for available Probes, Sensors, and Amplifiers</i>

2



3



Online Link  
Diesel Marine Spin-On Product Selector



RSL0378\_CUT\_SpinOn\_120RMAM-Series (04/18 Rev -)

Questions? Email: [racortech@parker.com](mailto:racortech@parker.com) Phone: 800-344-3286 News: [www.racornews.com](http://www.racornews.com)