

Bolt Hole Diameter  
.125 in. (3.2 mm)



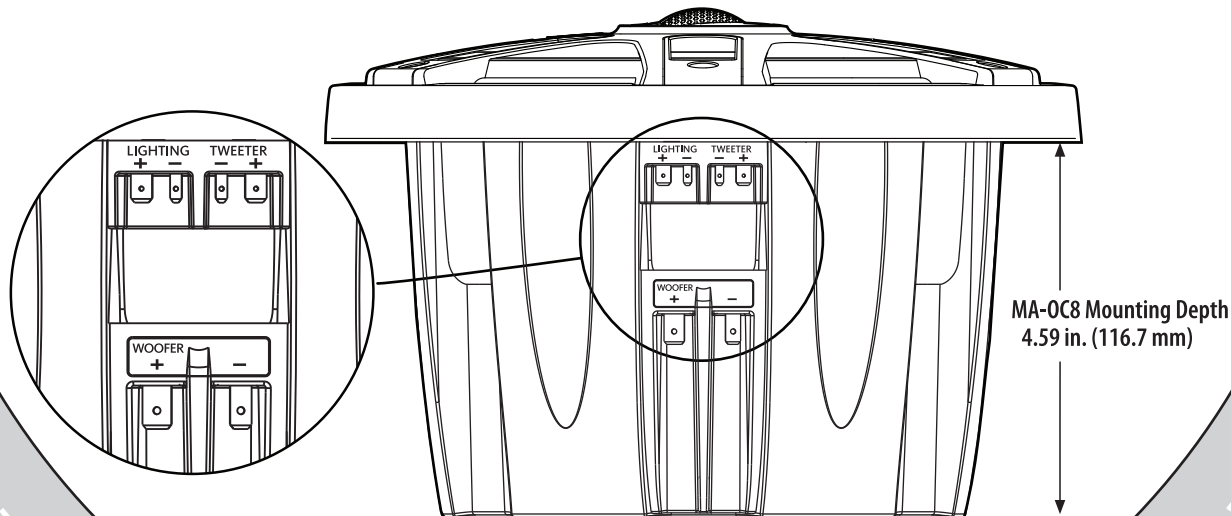
# MA-OC8 8-INCH MARINE SPEAKER

## SPEAKER INSTALLATION GUIDE

Find a suitable location, making sure there is clearance for the installed depth. Use a hole saw or other cutting tool to make the cutout.

Place the speaker in the cutout. Mark and drill .125" holes for the supplied mounting screws. If the panel is too thin or too soft for screws, reinforce mounting area with suitable backing material.

Attach speaker and LED lighting wires supplied to the appropriate terminals as shown below. Please see the installation wiring diagram for details.



Bolt Hole Circle Diameter  
8.18 in. (207.7 mm)

Outer Diameter  
9.25 in. (235 mm)

Cutout Diameter  
7.5 - 7.75 in.  
(190.8 - 196.9 mm)

