



PANTHER XPS G2

Hydraulic Power Steering System

Engineered to make steering your boat as effortless as the vehicle you drive. No matter the vessel you operate, XPS offers affordability, confidence, fit and all around ease of operation.

✓ SAFE

- Existing Cable steering acts as safety back up in case of system failure
- Exceeds ABYC mechanical and hydraulic steering standards

✓ BROAD FIT RANGE

- Designed to fit any boat or pontoon that can use cable steering with engine wells 24" and up
- Cylinder can be fully extended without interference
- For use with 90HP to 250HP new generations outboard engines

✓ EFFORTLESS

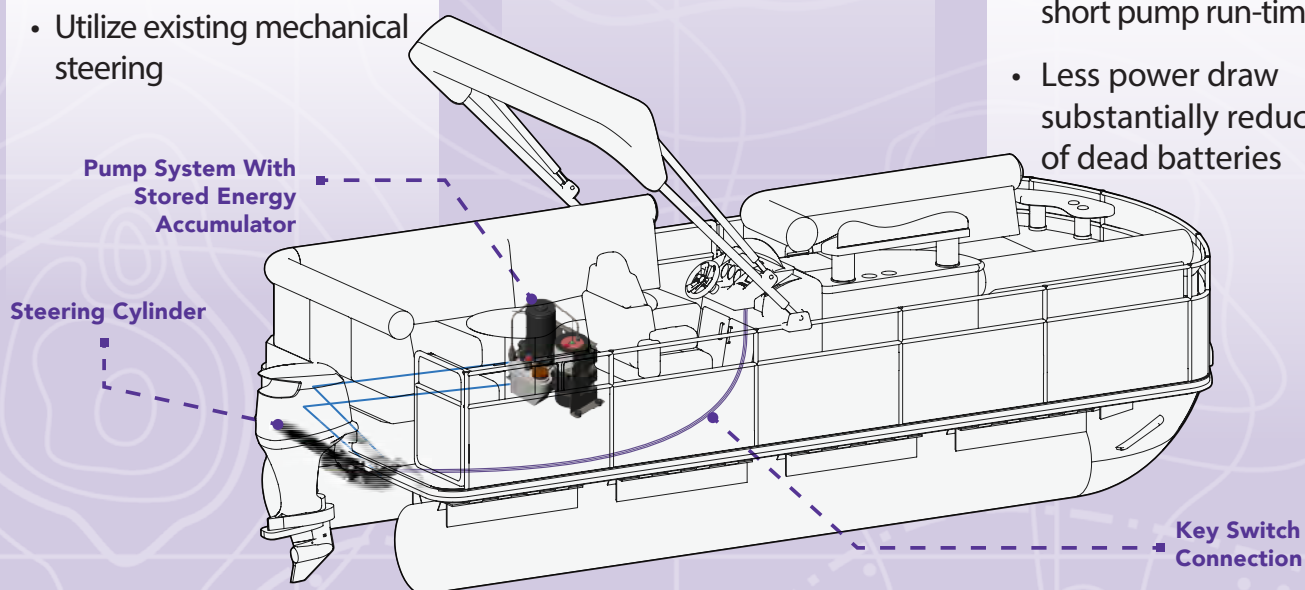
- Automobile like effort
- Eliminates prop torque
- Easy to maneuver in tight quarters especially around docks and landings

✓ SAVE TIME & MONEY

- Self-bleeding hoses
- Utilize existing mechanical steering

✓ SAVE POWER

- Stored energy allows for short pump run-times
- Less power draw substantially reduces risk of dead batteries



PID: 109600

CMP

CMP Group Ltd.

sales@cmpgroup.net | cmpgroup.net