

NMEA2000® Fresh Water Level Sender



- High $\pm 2\%$ Accuracy
- No moving parts to stick or fail
- Tank Depths from 250mm to 2Mtr
- Up to 16 senders on a single network
- Low Top Profile and Easy to Install
- Robust Stainless Steel Construction
- NMEA2000® network standard

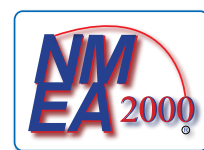
The 3281 Water Level Sender will measure the water level in the fresh water tanks. They provide a $\pm 2\%$ accurate tank level to the NMEA2000® marine network.

They are robustly constructed in stainless steel with no moving parts to stick or fail in service. They are easily cut to length to suit tank depths from 250mm to 2 metres.

They are easily fitted in the tank using a single 1.25" BSP threaded hole or into the standard SAE 5 bolt fitting by using the SAE 5 Bolt to 1.25" Sender Mounting Ring adaptor (optional).

Up to 16 senders can be connected to a single network and the tank number is simply selectable at installation by means of the small rotary switch.

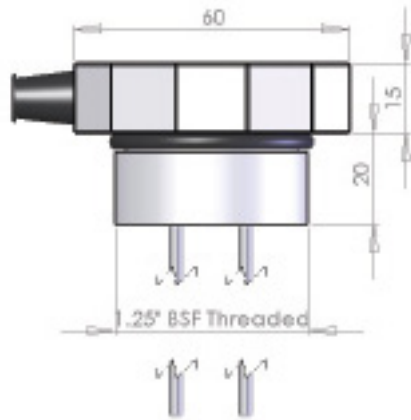
It is manufactured to the NMEA2000® network standard and attaches to the network using a single "Micro" plug. It draws less than 50mA from the network.



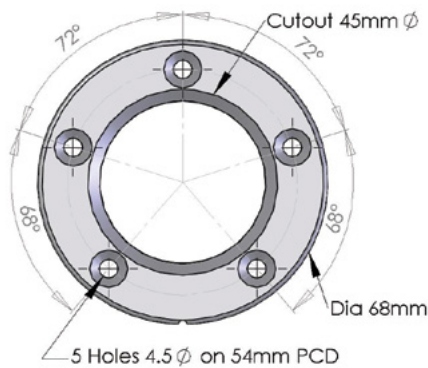
NMEA2000® Fresh Water Level Sender

Part Nos: 3281-500, -1000, -1500 and -2000

3281 Water Sender Dimensions



Adaptor Ring 3261 Dimensions



Dimensions in millimeters except where indicated

Probe Length	Part Number
250 - 500mm	3281-F500
500 - 1000mm	3281-F1000
1000 - 1500mm	3281-F1500
1500 - 2000mm	3281-F2000

Specification	
Accuracy	± 2%
Number of Tanks	up to 16 of each type on a single network
Certification	
NMEA2000	Level B+
Maritime Navigation and Radio communication equipment	IEC 60945
CE Mark and FCC	Electromagnetic Compatibility
NMEA PGNs	
Periodic	PGN127505 Fluid Level
Requested	PGN126996 Product Info
Protocol	PGN059392 ISO Acknowledge PGN059904 ISO Request PGN060928 ISO Address Claim PGN065240 ISO Address Cmd PGN126208 Complex Request
Electrical	
Operating Voltage	9 - 16 Volts DC
Power Consumption	<50mA
Load Equivalence	1 LEN
Reverse Battery	Protected
Load Dump	Protected
Mechanical	
Body Size	63mm Diameter 19mm High
Probe Lengths	500, 1000, 1500 & 2000mm
Weight	Approx 350 gms
Mounting	1.25" BSP Thread or SAE standard 5 bolt with adaptor
Environmental	
IEC 60945 Classification	Exposed
Protection	IP67
Operating Temperature	-25C to +55C
Storage Temperature	-40C to +70C
Relative Humidity	93%RH@40C per IEC60945-8.2
Corrosion - Salt mist	As per IEC 60945-8.12
Electromagnetic Emission	Conducted and Radiated as per IEC 60945-9
Electromagnetic Immunity	Conducted, Radiated, Supply and ESD per IEC 60945-10