

POWER CONVERTER

Part Number: 3890

INSTALLATION INSTRUCTIONS



The 3890 Power Converter allows a standard NMEA2000® network to be powered from a 24 volt system. The unit has two spade connectors to accept the 24 volts from the ships system and an NMEA2000® Micro sized power connector on 2 metres of cable.

SAFETY WARNING

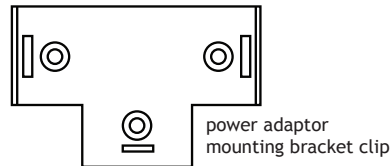
This instrument should only be installed by a person competent and experienced in working on electrical systems on boats.

BEFORE BEGINNING WORK THE BATTERY SHOULD BE DISCONNECTED TO AVOID THE RISK OF A SHORT CIRCUIT, A FIRE OR AN EXPLOSION.

LOCATION AND INSTALLATION

The 3890 Power Converter should be mounted in a cool dry and ventilated position that is within 2 metres of the NMEA2000® backbone or trunk cable.

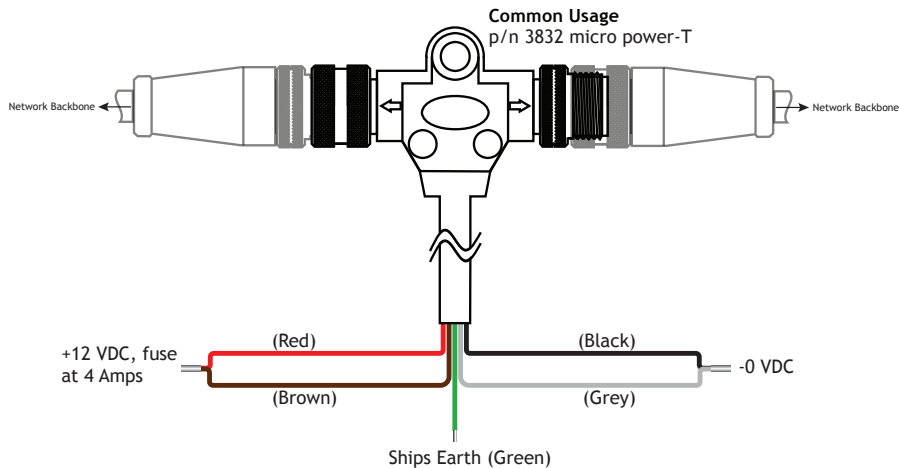
Use the included bracket to mark the position of the three 3.5mm diameter mounting holes. Carefully drill them and mount the bracket with the screws provided.



Then simply click the unit onto the mounting bracket clip.

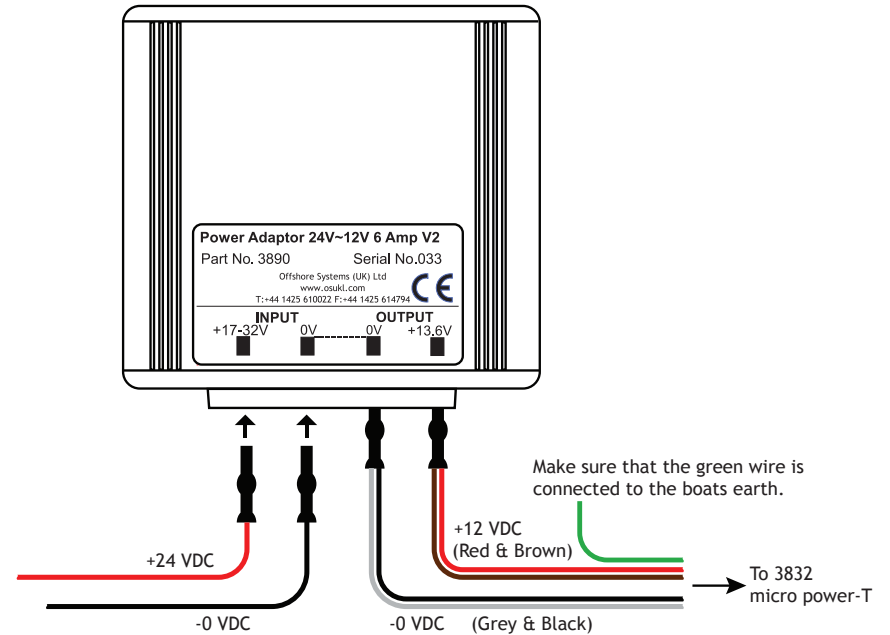
WIRING

Connect the attached pre-crimped p/n 3832 micro power -T dual feed cable to the NMEA2000® backbone or Trunk Cable and secure the cable at suitable intervals.



Connect the 24 volt input to the power adaptor using the spade crimp terminals provided.

Ensure that the input cable is wired with the correct polarity as indicated on the unit's label.



SETTING UP, OPERATION AND CALIBRATION

The 3890 Power Converter requires no further setup and no calibration.

Oceanic Systems (UK) Ltd
Unit 10-11 Milton Business Centre, Wick Drive,
New Milton, Hampshire, BH25 6RH, United Kingdom

Tel: +44(0)1425 610022 Fax: +44(0)1425 614794
Email: sales@osukl.com Web: www.osukl.com

Copyright© 2016 Oceanic Systems (UK) Ltd. All rights reserved. Our policy is one of continuous product improvement so product specifications are subject to change without notice. Oceanic Systems (UK) products are designed to be accurate and reliable. However, they should be used only as aids to vessel monitoring, and not as a replacement for traditional navigation and vessel monitoring techniques. NMEA2000® is a registered trademark of the National Marine Electronics Association.