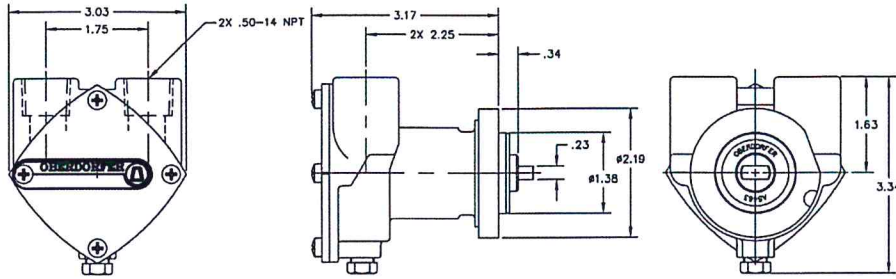


## Bronze Rubber Impeller Pump

N202M-908 • N202M-837

### Dimensions

N202M-908



Pump No.	Model	HP	Cylinders	Block
N202M-908	M-12	10	2	Z-400
	M-18	14	2	Z-600
	M-20			
	M-25			
	M-25XP	23	3	D-950
	M-30	24	3	D-1101
	M-35			
	M-40			
	M-50	44	2	V-1902
	5411			
	5416			
	5424			
	5432			
	5444			

NBR = Acrylonitrile-Butadiene PTFE = Polytetrafluorethylene FRM = Fluoroelastomer



**OBERDORFER PUMPS**  
by Gardner Denver

5900 Firestone Drive, Syracuse, NY 13206  
Phone: (800) 448-1668; (315) 437-0361 • Fax: (315) 463-9561

Visit [www.oberdorferpumps.com](http://www.oberdorferpumps.com) to find in-depth descriptions of the world's leading high-quality, dependable pumps.

Due to ongoing product improvements, data shown here is subject to change without notice. Contact Oberdorfer Pumps for latest specifications.

N202M908.082015



**OBERDORFER PUMPS**

by Gardner Denver

Bronze Rubber Impeller Pump

N202M-908 • N202M-837

N202M-908



N202M-837



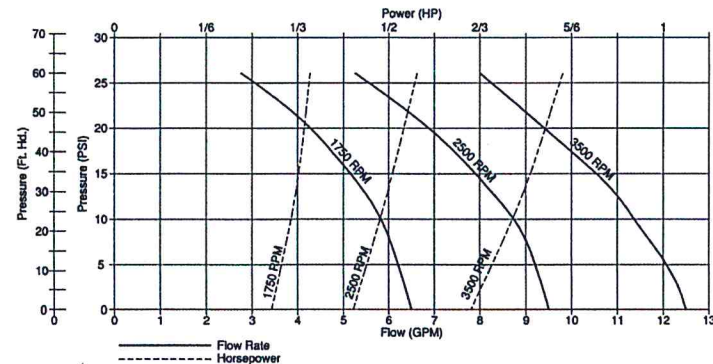
#### FEATURES:

- Impeller easily replaced without removing pump from engine
- Rugged simplicity
- Corrosion Resistant
- Convenient drain plug
- Clamped flange mounting allows mounting in positions 360°

- Male tang drive
- Two separate seals: main pump and flange mounting
- "Up" direction in & out ports
- High chrome nickel stainless steel shaft
- Machined in cam
- Replaces G908, 302837, 42175, 302648

#### PERFORMANCE:

Capacity - Water 60° F

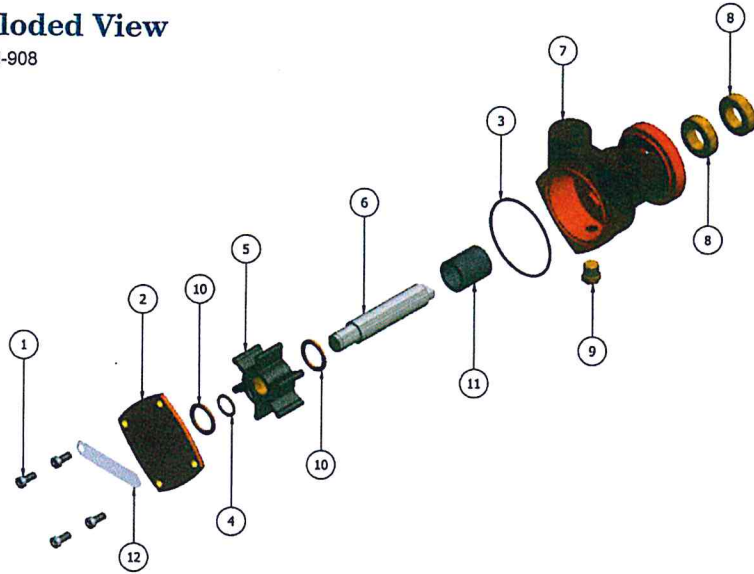


## Bronze Rubber Impeller Pump

N202M-908 • N202M-837

### Exploded View

N202M-908



### Parts List

	1	2	3*	4*	5*	6	7
	Screw	Cover	O-Ring	Snap Ring	Impeller	Shaft	Body
Model	Qty. 4	Qty. 1	Qty. 1	Qty. 1	Qty. 1	Qty. 1	Qty. 1
N202M-908	5385	6597B	9797-034	5373	6593	8767	3691

	8*	9	10	11*	12	Repair Kit
	Lip Seal	Plug	Washer	Bearing	Tag	
Model	Qty. 2	Qty. 1	Qty. 2	Qty. 1	Qty. 1	
N202M-908	5463	6600	9647	5091	7736	11691

\* Repair Kit contains items 3, 4, 5, 8 & 11

#### ROTATION:

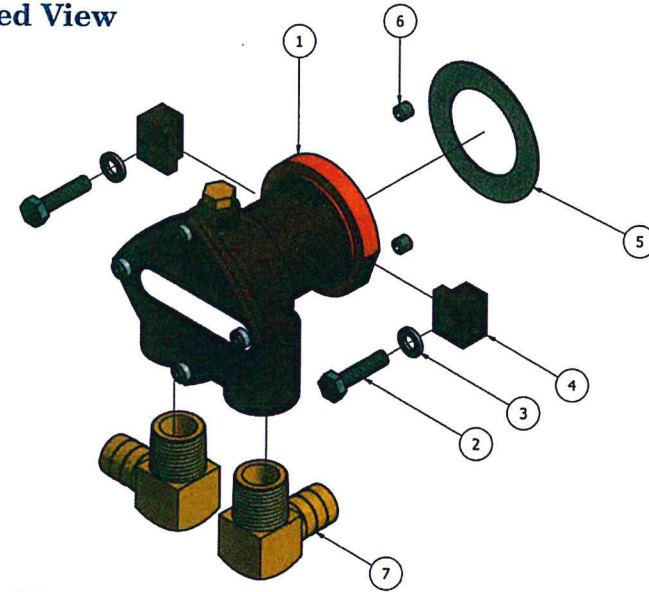
Direction of shaft rotation determines inlet and outlet ports (see line dimension drawing). Prior to installation, rotate the pump manually in direction of rotation to set flexible blades in direction desired.

#### DO NOT RUN DRY:

Rubber impellers generate high rubbing friction unless lubricated by liquid pumped. Lack of liquid will cause impeller to burn up.

### Exploded View

N202M-837



### Parts List

	1	2*	3*	4*	5*	6*	7*
	Rubber Impeller Pump	Cap Screw	Lock Washer	"L" Clamp	Mounting Gasket	Set Screw	Elbow Fitting
Model	Qty. 1	Qty. 2	Qty. 2	Qty. 2	Qty. 2	Qty. 2	Qty. 2
N202M-837	N202M-908	3695	3696	3693	3692	3690	3694

\* Items 2 through 7 are included in the P/N 12456 Mounting Kit

#### LIQUIDS AND TEMPERATURE:

Liquids compatible with neoprene can be pumped including fresh and saltwater solutions and mild chemicals. Do not pump gasoline, severe solvents or acids. When possible flush pump with fresh water after each usage.

NBR impellers can handle oil contaminated water and kerosene at reduced impeller service life. Extremes of cold and heat will affect impeller life. Limits of 40° F to 140° F should be observed. Do not allow liquid in pump

to freeze. Drain pump by removing drain plug provided. Located at bottom of pump body. Use methyl alcohol based anti-freeze compounds such as Zerex, Shell Sone, Pyro Permanent, Permagard, Dowgard.

#### SUCTION LIFT:

On initial start-up pump must be primed to prevent dry-running of the impeller. Suction lift of 15 ft. is possible when impeller is wet and pump fully primed. Suction lines must be air tight in order for pump to self prime.