

12V | 100Ah

NLX27



DUAL PURPOSE LITHIUM BATTERY.

DEEP CYCLE + STARTER

NOCO

30339 Diamond Parkway, #102
Glenwillow, OH 44139 | USA
1.800.456.6626

no.co

DUAL PURPOSE.

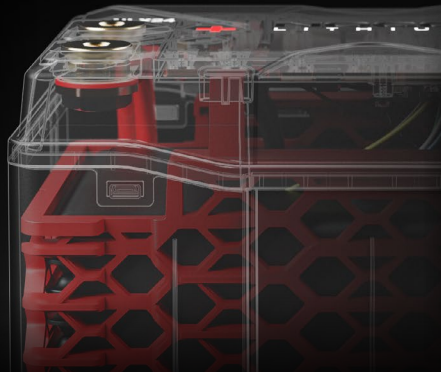
MORE STARTING POWER. LONGER RUN TIME.

The most highly-designed and engineered lithium dual-purpose battery series ever. Featuring an active BMS with more starting power, safety, longer run time, and universal fitment.



RAPID RECHARGE.

Use the Lithium mode on a Genius charger to fully recharge an NLX battery in minutes. See Genius models and charging times below.



ADVANCED DESIGN. UNRELENTING RELIABILITY.

A beautifully functional design that provides unrelenting reliability. Built around an engineered plastic shell, then secured by a honeycomb lattice structure, NLX can tackle even the most demanding environments.

MORE WAYS TO CONNECT. FLEXIBLE TERMINAL OPTIONS.

NLX Terminals offer versatile customization options to fit your dual purpose needs across various applications.



3/8"-24 x 9/16" Terminal Bolt



3/8"-24 and 5/16"-24 Threaded Terminal



Positive and Negative SAE Terminal

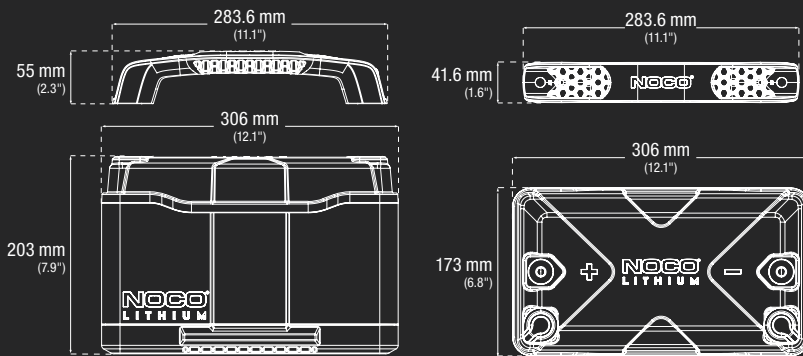
RECHARGE TIME

GENIUS10	10 hours
GENIUSPRO25	4 hours
GENIUSPRO50	2 hours

TECHNICAL SPECIFICATIONS

BCI SIZE:	27
CHEMISTRY:	Lithium Iron Phosphate (LiFePO4)
NOMINAL VOLTAGE:	12.8
AMP-HOURS:	100Ah
WATT-HOURS (WH):	1280Wh
STARTING CURRENT:	1400A
CHARGING VOLTAGE (V):	14.6V
CONTINUOUS CURRENT (A):	175A
OPERATING TEMPERATURE:	-4° to 122°F (-20°C to 50°C)
CHARGING TEMPERATURE:	14° to 122°F (-10°C to 50°C)
STORAGE TEMPERATURE:	-4° to 122°F (-20°C to 50°C)
WEIGHT:	28 lbs (12.7kg)

WHAT'S IN THE BOX



*Accessories not to scale with NLX27



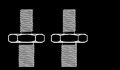
(4) Terminal Covers



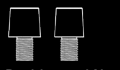
(2) Terminal Caps



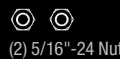
(2) 3/8"-24 Nuts



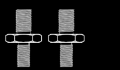
(2) 3/8"-24 Threaded Terminals



Positive and Negative SAE Terminals



(2) 5/16"-24 Nuts



(2) 3/8"-24 x 5/16"-24 Threaded Terminals



(2) 3/8"-24 x 9/16" Terminal Bolts



User Guide



7/32" Hex Key



30339 Diamond Parkway, #102
Glenwillow, OH 44139 | USA
1.800.456.6626

no.co

