



TERROVA

BOW-MOUNT TROLLING MOTOR
Owner's Manual

INTRODUCTION

THANK YOU

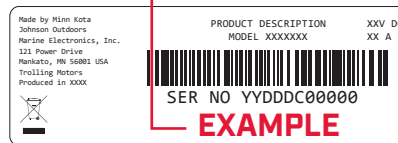
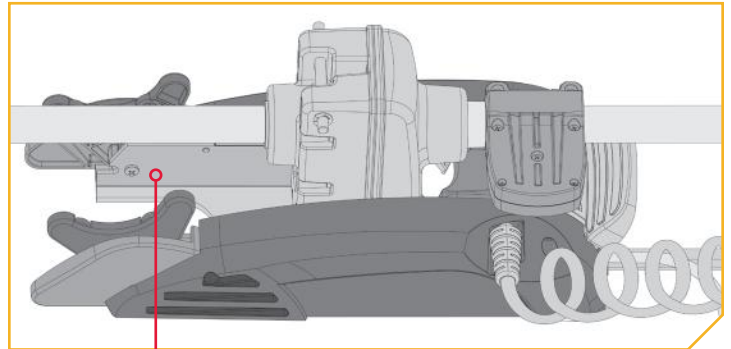
Thank you for choosing Minn Kota. We believe that you should spend more time fishing and less time positioning your boat. That's why we build the smartest, toughest, most intuitive trolling motors on the water. Every aspect of a Minn Kota trolling motor is thought out and rethought until it's good enough to bear our name. Countless hours of research and testing provide you the Minn Kota advantage that can truly take you "Anywhere. Anytime." We don't believe in shortcuts. We are Minn Kota. And we are never done helping you catch more fish.

REGISTRATION

Remember to keep your receipt and immediately register your trolling motor. A registration card is included with your motor or you can complete registration on our website at minnkotamotors.com/register.

SERIAL NUMBER

Your Minn Kota 11-character serial number is very important. It helps to determine the specific model and year of manufacture. When contacting Consumer Service or registering your product, you will need to know your product's serial number. We recommend that you write the serial number down so that you have it available for future reference.



NOTICE: The serial number on your Terrova is located inside the mount below the motor rests.

MOTOR INFORMATION (For Consumer Reference Only)

Model: _____

Serial Number: _____

Purchase Date: _____

Store Where Purchased: _____

NOTICE: Do not return your Minn Kota motor to your retailer. Your retailer is not authorized to repair or replace this unit. You may obtain service by: calling Minn Kota at (800) 227-6433; returning your motor to the Minn Kota Factory Service Center; sending or taking your motor to any Minn Kota authorized service center. A list of authorized service centers is available on our website at minnkotamotors.com. Please include proof of purchase, serial number and purchase date for warranty service with any of the above options.

TABLE OF CONTENTS

SAFETY CONSIDERATIONS	4
WARRANTY	5
KNOW YOUR BOAT	6
FEATURES	7
INSTALLATION	8
Installing the Terrova.....	9
Identifying Trolling Motor Features by Their Associated Cables.....	14
Routing Connection Cables	14
Feature overview and connecting the cables	16
BATTERY & WIRING INSTALLATION	21
Boat Rigging & Product Installation.....	21
Conductor Gauge and Circuit Breaker Sizing Table	21
Selecting the Correct Batteries.....	22
Additional Considerations	22
Connecting the Batteries	23
Connecting the Batteries in a Series.....	24
MOTOR WIRING DIAGRAM	26
USING & ADJUSTING THE MOTOR	28
Mount Features	28
Stowing and Deploying the Motor.....	29
Push-to-Test Battery Meter	29
Adjusting the Depth of the Motor.....	30
Adjusting the Lower Unit for a Secure Stow	31
Installing an External Transducer	32
USING THE FOOT PEDAL	33
Controlling Speed & Steering with the Foot Pedal	33
SERVICE & MAINTENANCE	35
Propeller Replacement	35
General Maintenance.....	36
Troubleshooting.....	36
For Further Troubleshooting and Repair	37
COMPLIANCE STATEMENTS	38
PARTS DIAGRAM & PARTS LIST	40

SAFETY CONSIDERATIONS

Please thoroughly read the user manual. Follow all instructions and heed all safety and cautionary notices. Use of this motor is only permitted for persons that have read and understood these user instructions. Minors may use this motor only under adult supervision.

WARNING

You are responsible for the safe and prudent operation of your vessel. We have designed your Minn Kota product to be an accurate and reliable tool that will enhance boat operation and improve your ability to catch fish. This product does not relieve you from the responsibility for safe operation of your boat. You must avoid hazards to navigation and always maintain a permanent watch so you can respond to situations as they develop. You must always be prepared to regain manual control of your boat. Learn to operate your Minn Kota product in an area free from hazards and obstacles.

WARNING

Never run the motor out of the water, as this may result in injuries from the rotating propeller. The motor should be disconnected from the power source when it is not in use or is off the water. When connecting the power-supply cables of the motor to the battery, ensure that they are not kinked or subject to chafe and route them in such a way that persons cannot trip over them. Before using the motor make sure that the insulation of the power cables is not damaged. Disregarding these safety precautions may result in electric shorts of battery(s) and/or motor. Always disconnect motor from battery(s) before cleaning or checking the propeller. Avoid submerging the complete motor as water may enter the lower unit through control head and shaft. If the motor is used while water is present in the lower unit considerable damage to the motor can occur. This damage will not be covered by warranty.

WARNING

Take care that neither you nor other persons approach the turning propeller too closely, neither with body parts nor with objects. The motor is powerful and may endanger or injure you or others. While the motor is running watch out for persons swimming and for floating objects. Persons who lack the ability to run the motor or whose reactions are impaired by alcohol, drugs, medication, or other substances are not permitted to use this motor. This motor is not suitable for use in strong currents. The constant noise pressure level of the motor during use is less than 70dB(A). The overall vibration level does not exceed 2,5 m/sec².

WARNING

When stowing or deploying the motor, keep fingers clear of all hinge and pivot points and all moving parts. In the event of unexpected operation, remove power leads from the battery.

WARNING

It is recommended to only use Johnson Outdoors approved accessories with your Minn Kota motor. Using non-approved accessories including to mount or control your motor may cause damage, unexpected motor operation and injury. Be sure to use the product and approved accessories, including remotes, safely and in the manner directed to avoid accidental or unexpected motor operation. Keep all factory installed parts in place including motor and accessory covers, enclosures and guards.

WARRANTY

WARRANTY ON MINN KOTA FRESHWATER TROLLING MOTORS

Minn Kota Freshwater Trolling Motors - Limited Lifetime Warranty On Composite Shaft And Limited Two-Year Warranty On The Entire Product

Johnson Outdoors Marine Electronics, Inc. ("JOME") extends the following limited warranty to the original retail purchaser only. Warranty coverage is not transferable.

Minn Kota Limited Two-Year Warranty on the Entire Product

JOME warrants to the original retail purchaser only that the purchaser's new Minn Kota freshwater trolling motor will be materially free from defects in materials and workmanship appearing within two (2) years after the date of purchase. JOME will (at its option) either repair or replace, free of charge, any parts found by JOME to be defective during the term of this warranty. Such repair, or replacement shall be the sole and exclusive liability of JOME and the sole and exclusive remedy of the purchaser for breach of this warranty.

Minn Kota Limited Lifetime Warranty on the Composite Shaft

JOME warrants to the original retail purchaser only that the composite shaft of the purchaser's Minn Kota trolling motor will be materially free from defects in materials and workmanship appearing within the original purchaser's lifetime. JOME will provide a new composite shaft, free of charge, to replace any composite shaft found by JOME to be defective during the term of this warranty. Providing a new composite shaft shall be the sole and exclusive liability of JOME and the sole and exclusive remedy of the purchaser for breach of this warranty; and purchaser shall be responsible for installing, or for the cost of labor to install, any new composite shaft provided by JOME.

Exclusions and Limitations

This limited warranty does not apply to products that have been used in saltwater or brackish water, commercially or for rental purposes. This limited warranty does not cover normal wear and tear, blemishes that do not affect the operation of the product, or damage caused by accidents, abuse, alteration, modification, shipping damages, acts of God, negligence of the user or misuse, improper or insufficient care or maintenance. **DAMAGE CAUSED BY THE USE OF OTHER REPLACEMENT PARTS NOT MEETING THE DESIGN SPECIFICATIONS OF THE ORIGINAL PARTS WILL NOT BE COVERED BY THIS LIMITED WARRANTY.** The cost of normal maintenance or replacement parts which are not in breach of the limited warranty are the responsibility of the purchaser. Prior to using products, the purchaser shall determine the suitability of the products for the intended use and assumes all related risk and liability. Any assistance JOME provides to or procures for the purchaser outside the terms, limitations or exclusions of this limited warranty will not constitute a waiver of the terms, limitations or exclusions, nor will such assistance extend or revive the warranty. JOME will not reimburse the purchaser for any expenses incurred by the purchaser in repairing, correcting or replacing any defective products or parts, except those incurred with JOME's prior written permission. **JOME'S AGGREGATE LIABILITY WITH RESPECT TO COVERED PRODUCTS IS LIMITED TO AN AMOUNT EQUAL TO THE PURCHASER'S ORIGINAL PURCHASE PRICE PAID FOR SUCH PRODUCT.**

Minn Kota Service Information

To obtain warranty service in the U.S., the product believed to be defective, and proof of original purchase (including the date of purchase), must be presented to a Minn Kota Authorized Service Center. Go to www.minnkotamotors.com/support/service-providers/locate to find a Minn Kota Authorized Service Center. Any charges incurred for service calls, transportation or shipping/freight to/from the Minn Kota Authorized Service Center, labor to haul out, remove, re-install or re-rig products removed for warranty service, or any other similar items are the sole and exclusive responsibility of the purchaser. Products purchased outside of the U.S. must be returned prepaid with proof of purchase (including the date of purchase and serial number) to any Authorized Minn Kota Service Center in the country of purchase. To contact Minn Kota Customer Service go to www.minnkotamotors.com/contact. Products repaired or replaced will be warranted for the remainder of the original warranty period, or for 90 days from the date of repair or replacement, whichever is longer. For any product that is returned for warranty service that JOME finds to be not covered by or not in breach of this limited warranty, there will be a billing for services rendered at the prevailing labor rate of the applicable Minn Kota Authorized Service Center and for a minimum of at least one hour.

Service Provider
Locator



Contact Customer
Service

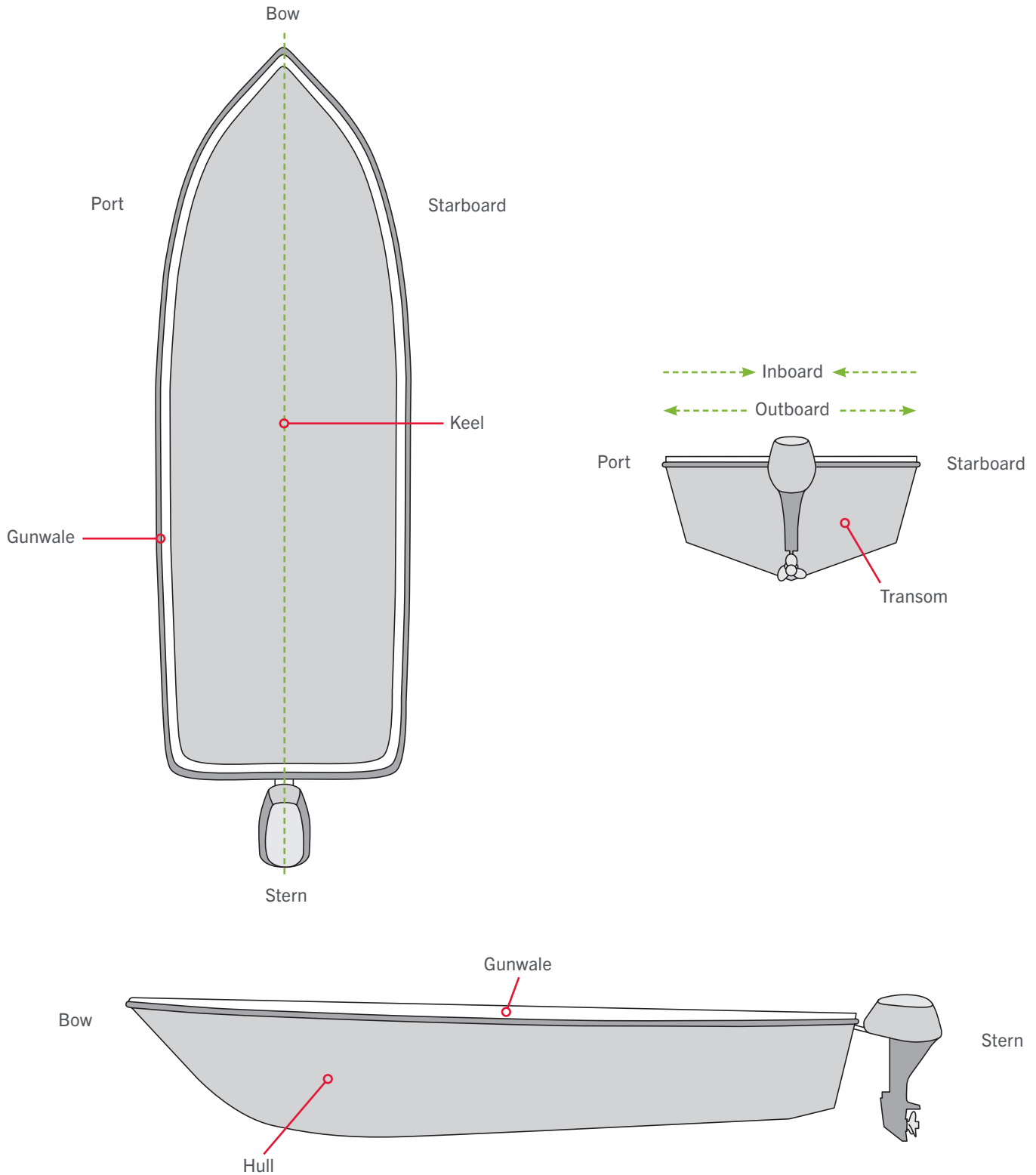


NOTICE: Do not return your Minn Kota product to your retailer. Your retailer is not authorized to repair or replace products.

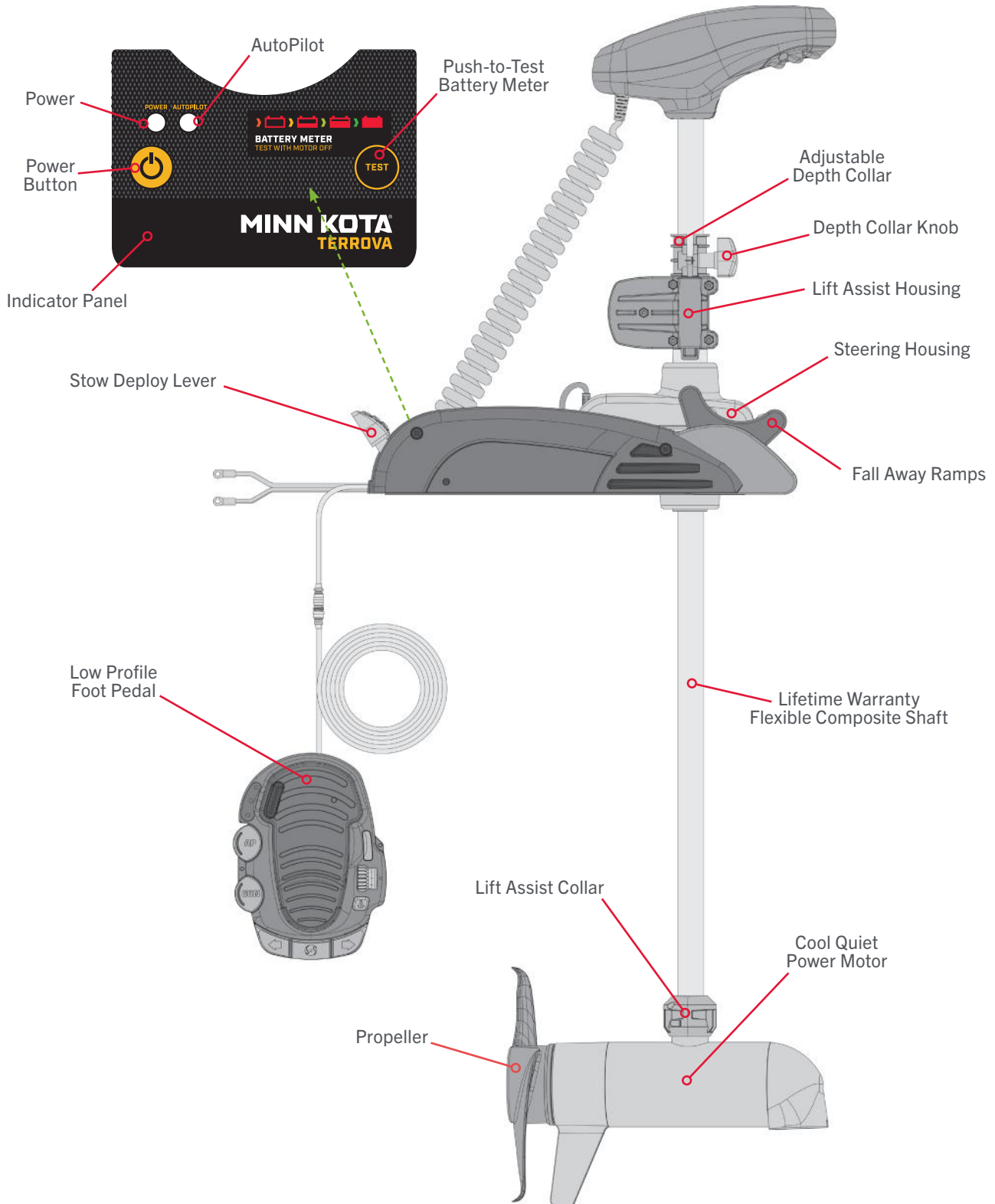
NOTICE: THERE ARE NO EXPRESS WARRANTIES OTHER THAN THESE LIMITED WARRANTIES. IN NO EVENT SHALL ANY IMPLIED WARRANTIES INCLUDING ANY IMPLIED WARRANTIES OF MERCHANTABILITY OR FITNESS FOR PARTICULAR PURPOSE, EXTEND BEYOND THE DURATION OF THE RELEVANT EXPRESS LIMITED WARRANTY. IN NO EVENT SHALL JOME BE LIABLE FOR PUNITIVE, INDIRECT, INCIDENTAL, CONSEQUENTIAL OR SPECIAL DAMAGES. Without limiting the foregoing, JOME assumes no responsibility for loss of use of product, loss of time, inconvenience or other damage.

Some states do not allow limitations on how long an implied warranty lasts or the exclusion or limitation of incidental or consequential damages, so the above limitations and/or exclusions may not apply to you. This warranty gives you specific legal rights and you may also have other legal rights which vary from state to state.

KNOW YOUR BOAT



FEATURES



NOTICE: Specifications subject to change without notice. This diagram is for reference only and may differ from your actual motor.

INSTALLATION

INSTALLING THE TERROVA

Your new Terrova comes with everything you'll need to directly install it to the boat. This motor can be directly mounted to the boat or coupled with a Minn Kota quick release bracket for ease of mounting and removal. For installation with a quick release bracket, refer to the installation instructions provided with the bracket. For compatible quick release mounting brackets and to locate your nearest dealer, visit minnkotamotors.com. To install the motor directly to the boat, please follow the instructions provided in this manual. Please review the parts list, mounting considerations and tools needed for installation prior to getting started. For additional product support, please visit minnkotamotors.com.

INSTALLATION PARTS LIST

Item / Assembly	Part #	Description	Qty.
AA	2994864	BAG ASSEMBLY - (BOLT, NUT, WASHERS)	1
1	2263462	BOLT-MOUNTING-1/4X2 W/STG	6
2	2261713	WASHER-1/4	6
3	2263103	NUT NYLOK 1/4-20 MTG	6
4	2301720	WASHER-MOUNTING RUBBER	6
5	✘	MOTOR ASSEMBLY	1
6	2390800 ◆●	LANYARD, REMOTE W/ CARABEENER	1
7	2994075 ◆	REMOTE ASY, IPILOT	1
▲	2397106 ◆	MANUAL, QUICK REF., IPILOT 1.6	1
8	2994076 ●	REMOTE ASSEMBLY LINK TOUCHSCREEN	1
9	2373241 ●	CABLE, USB REMOTE CHARGER LINK	1
10	2375901 ●	ADAPTER, USB DC POWER LINK	1
11	2996400 ◆●	HEADING SENSOR ASSEMBLY *SELECT MODELS ONLY*	1
12	490389-1 ●	CABLE, ETH (M12-M-M12-F, 30'	1
13	2211415 +	CABLE-EXTENSION, PD/AP 110" *PRE-INSTALLED*	1
	490507-1 →	CABLE, ADP-INT MDI 14 M12-120" *PRE-INSTALLED*	1
14	2092600	PIN-DRIVE 1.06" LG (SS)	1
	2262658	PIN-DRIVE 1" X 3/16" S/S	1
15	2151726	WASHER-5/16 STD (S/S)	1
	2091701	WASHER-PROP (LARGE)	1
16	2053101	NUT-PROP,NYLOC (MED) 5/16 SS	1
	2093101	NUT-PROP,NYLOC,LG, 3/8 SS	1
17	2091160	PROP-WW2 (3-5/8") REAMED	1
	2341160	PROP-WW2 (4.5) W/ADP.RING	1
	2331160	PROP-WW2 (4") W/ADP.RING	1
BB	1378131	PROP IND 2091160 WDLS WDG II	1
CC	1378160	PROP KIT 2341160 112# WW2	1
DD	1378132	PROP IND 2331160 WDLS WDG II	1
EE	2994722	FT PED ASY, TRV, W/SPOT LCK	1
FF	2994859	BAG, ASY-TERROVA/V2, RUB BUMPERS	1
18	2325110	PAD, FOOT PEDAL	5
▲	2327132	INSTALLATION INSTRUCTIONS TERROVA	1
▲	2397107 ●	MANUAL, QUICK REF., IPILOT LINK 3.0	1

▲ Not shown on Parts Diagram.

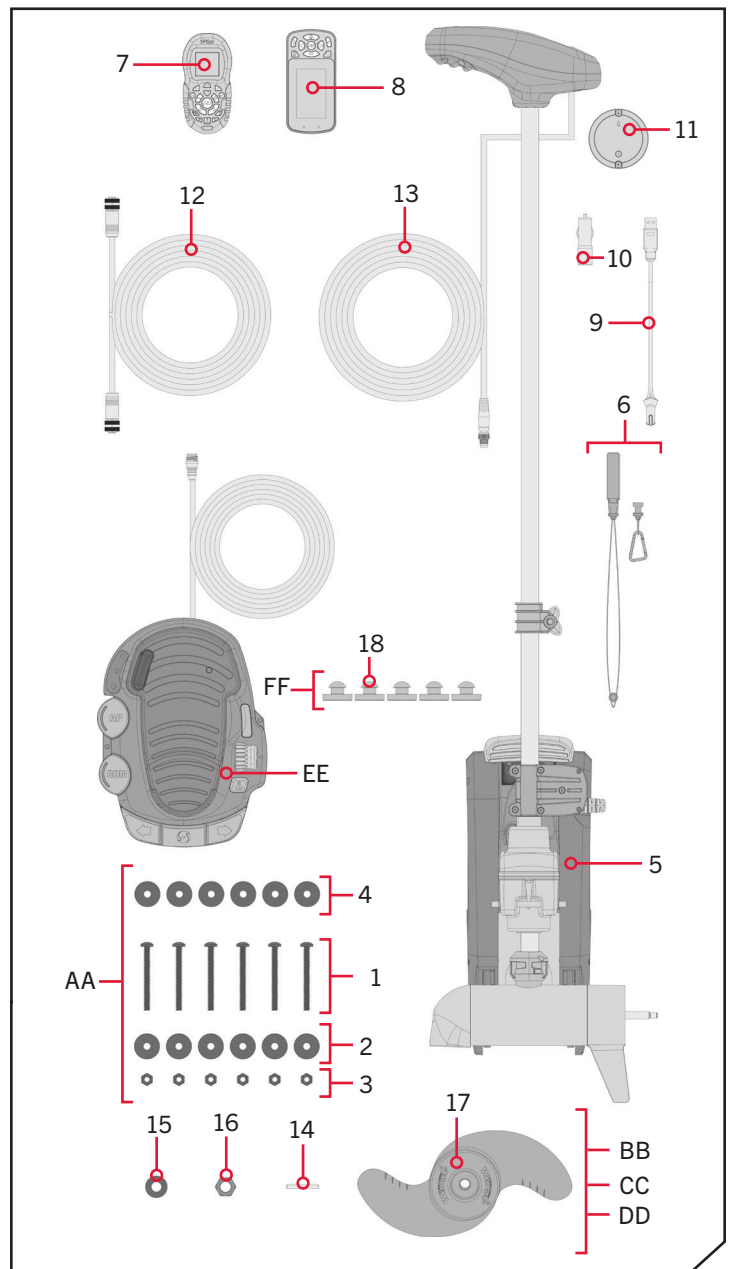
✘ This part is included in an assembly and cannot be ordered individually.

◆ Only available with models factory installed with i-Pilot.

● Only available with models factory installed with i-Pilot Link.

+ Only available with models factory installed with Universal Sonar.

→ Only available with models factory installed with Built-in MEGA Down Imaging.



INSTALLING THE TERROVA

MOUNTING CONSIDERATIONS

It is recommended that the motor be mounted as close to the centerline of the boat as possible. Make sure the area under the mounting location is clear to drill holes and install nuts and washers. Make sure the motor rest is positioned far enough beyond the edge of the boat. The motor must not encounter any obstructions as it is lowered into the water or raised into the boat when stowed and deployed. Consider a quick release or adapter bracket with the installation of your motor. To view a list of accessories, please visit minnkotamotors.com.



View accessories available for your trolling motor at minnkotamotors.com.

TOOLS AND RESOURCES REQUIRED

- #3 Phillips Screw Driver
- Drill
- 9/32" Drill Bit
- 7/16" Box End Wrench
- A second person to help with the installation

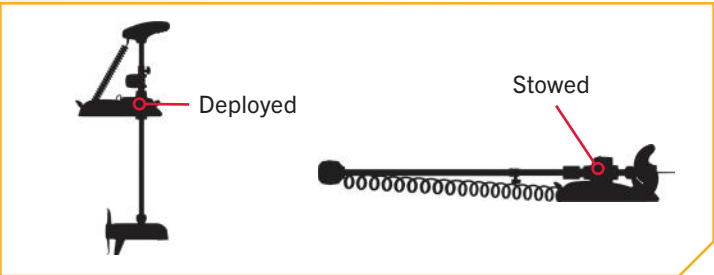
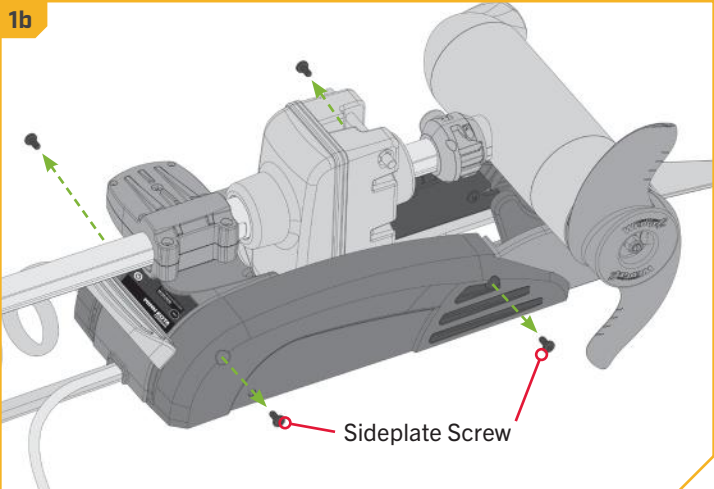
INSTALLATION

INSTALLING THE TERROVA

1

- Place the mount on an elevated, level surface such as a workbench or the tailgate of a pickup. The motor, as removed from the box, should be in the stowed position.
- Remove the four sideplate screws using a #3 Phillips screwdriver. Two of these screws will be located on each side of the mount.

NOTICE: This motor weighs approximately 65lbs. We recommend having a second person help with the installation.

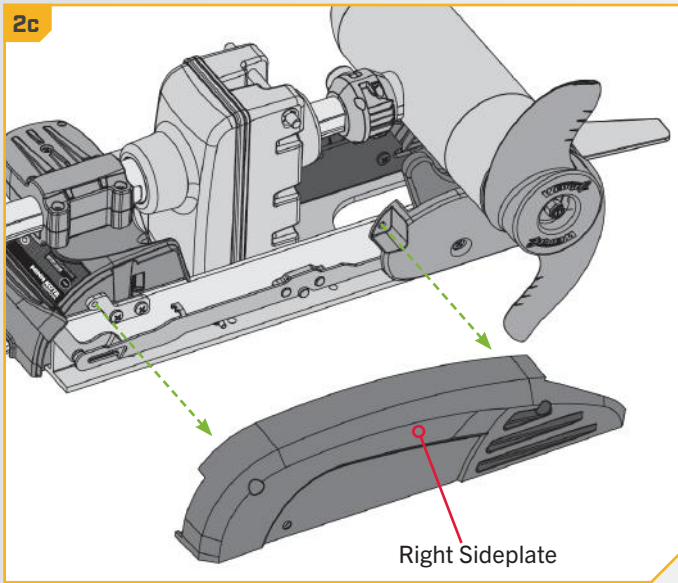


INSTALLING THE TERROVA

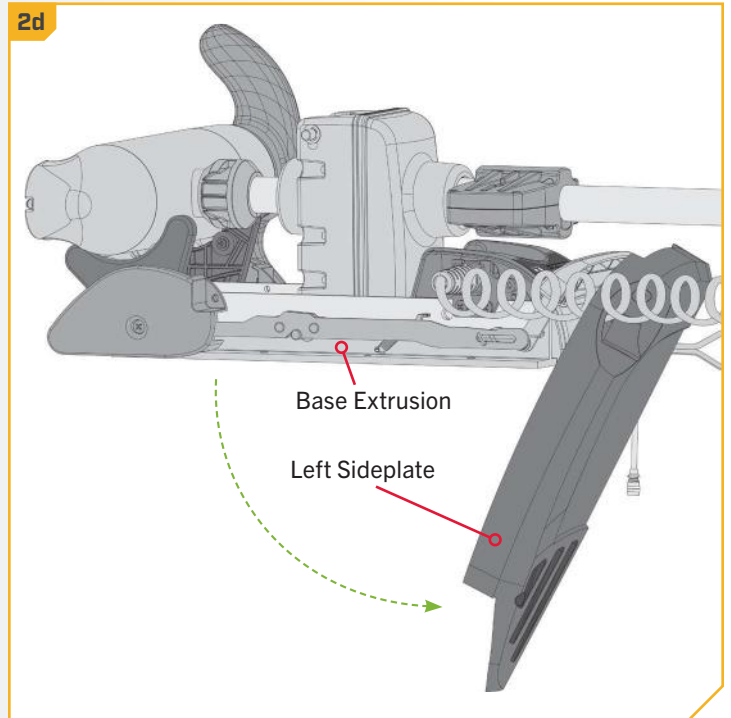
2

- c. Remove the Right Sideplate.
- d. Swing the Left Sideplate out and away from the Base Extrusion.

2c



2d



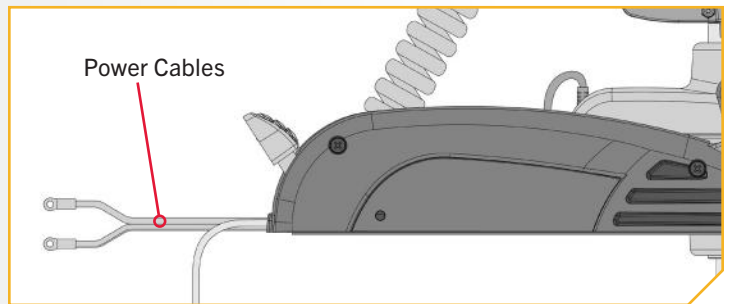
3

- e. Make sure that the Power Cables from the battery are disconnected, or that the breaker, if equipped, is "off."



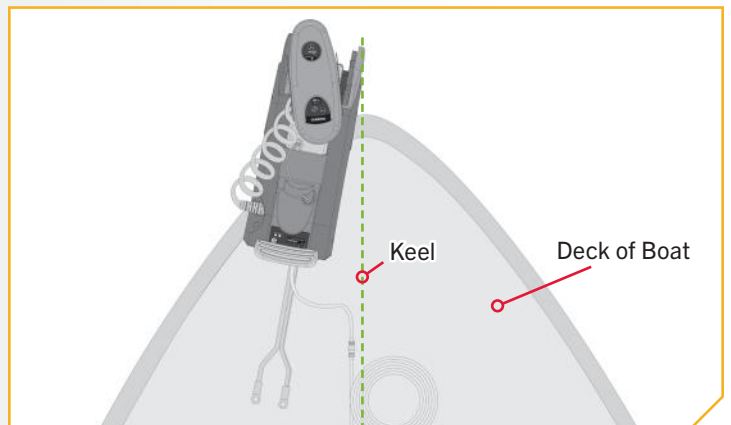
WARNING

Make sure the motor is mounted on a level surface and is not connected to a power source.



4

- f. Place the mount as close to the centerline or keel of the boat as possible. The motor can be installed on either the Port or Starboard side of the boat based on personal preference. Check placement with the motor in the stowed and deployed positions. Review the mounting considerations at the beginning of the installation.

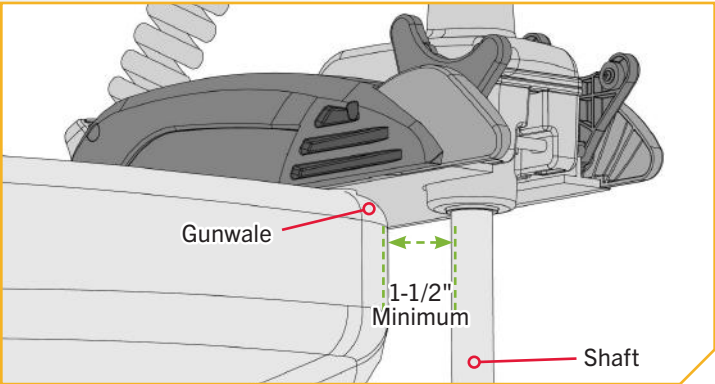


5

ITEM(S) NEEDED

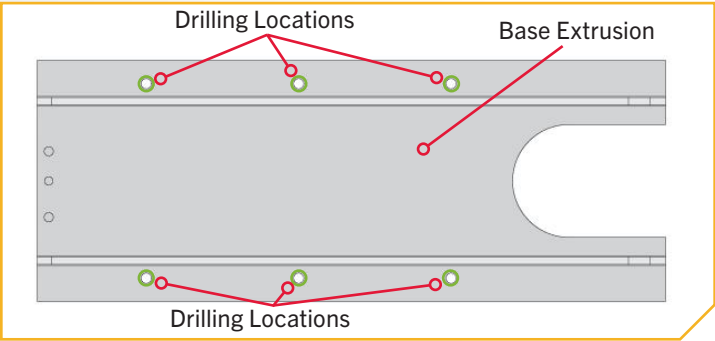
- #4 x 6

- g. When the motor is in the deployed position, make sure that the Shaft is 1-1/2" out past the Gunwale of the boat. The lower unit, when stowed and deployed must not encounter any obstructions.
- h. Check to be sure that the mount is level. Use the Rubber Washers (Item #4) provided to create a level surface if necessary.



6

- i. It is recommended to mark at least 4 of the 6 holes in the Base Extrusion and to have a minimum of two bolts on each side that are located the farthest apart. Ideal installation would allow for 6 bolts to be used, with a minimum of 4.
- j. Drill through the deck of the boat using a 9/32" Drill Bit on the marked locations.



INSTALLING THE TERROVA

7

ITEM(S) NEEDED

● #2 x 6

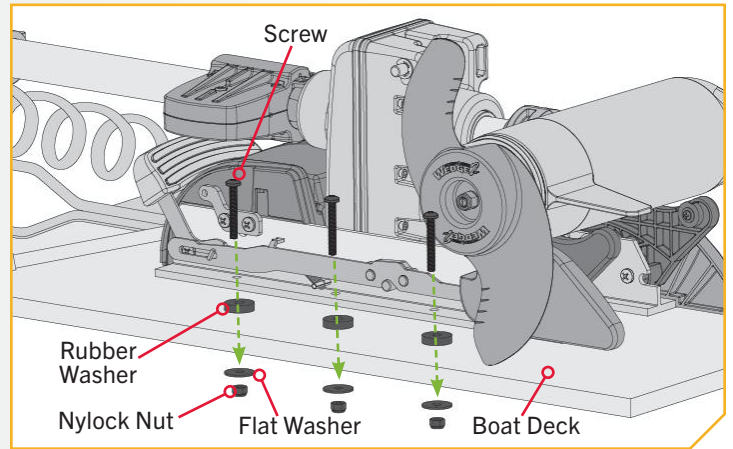
| #1 x 6

○ #3 x 6

● #4 x 6

- k. Put a 1/4-20 x 2" (Item #1) screw in each of the drilled locations. The screw should pass through the Base Extrusion and the boat deck. If the rubber washers (Item #4) are used, they should sit between the Base Extrusion and boat deck. Make sure to secure the motor with screws on each side of the Base Extrusion.
- l. Place a Flat Washer (Item #2) and then a Nylock Nut (Item #3) at the end of each screw as shown and secure. Make sure all hardware is secure.

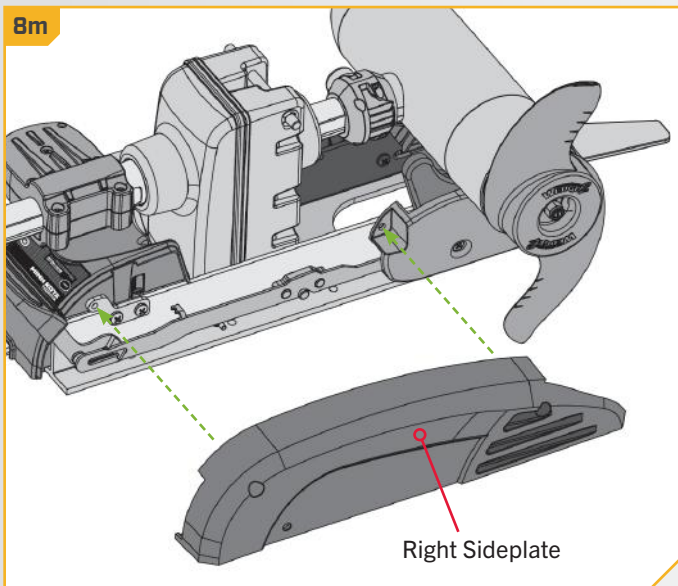
NOTICE: To prevent seizing of the stainless steel hardware, do not use high speed installation tools. Wetting the screws or applying an anti-seize may help prevent seizing.



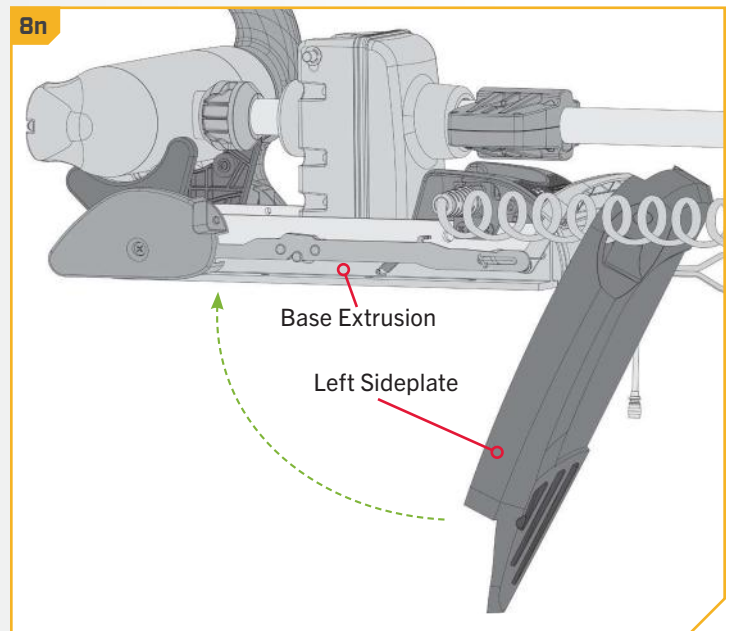
8

- m. Replace the Right Sideplate.
- n. Swing the Left Sideplate back into its correct position on the Base Extrusion.

8m



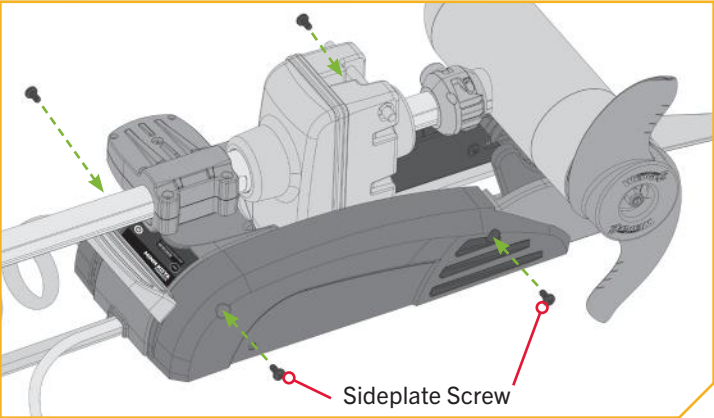
8n



INSTALLING THE TERROVA

9

- o. Replace the four sideplate screws using a #3 or #2 Phillips screwdriver. Two of these screws will be located on each side of the mount.



10

ITEM(S) NEEDED

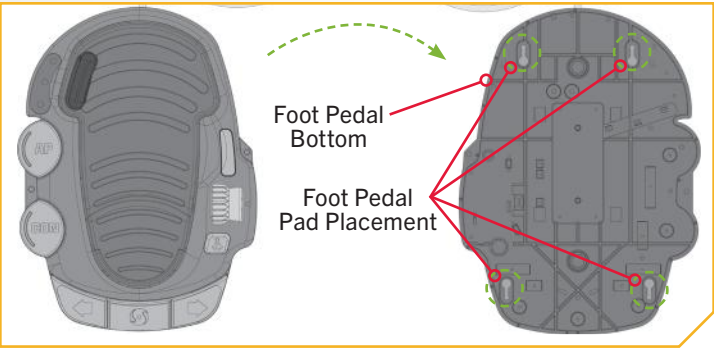
 #18 x 5



#EE x 1

- p. Take the Foot Pedal (Item #EE) and turn it over. Put a Foot Pedal Pad (Item #18) in each of the pad locations.

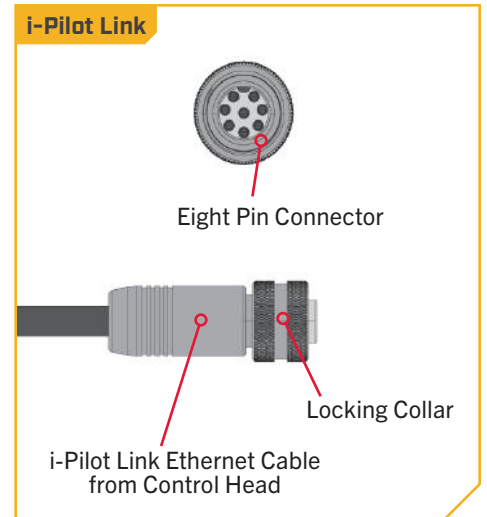
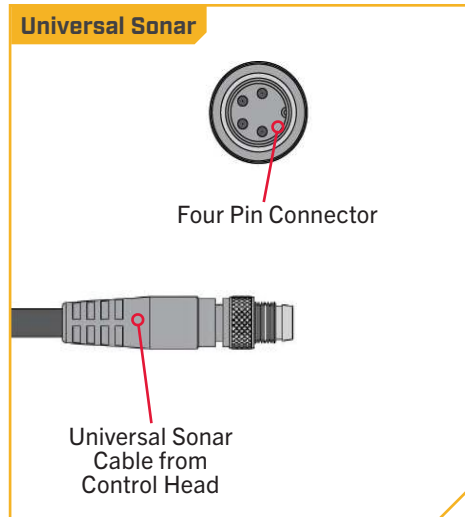
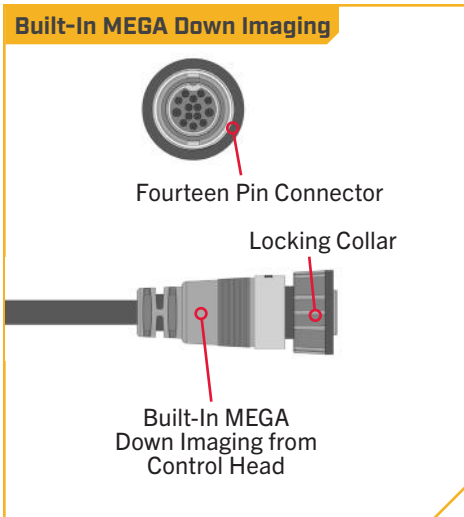
NOTICE: The pads are recommended when using the Foot Pedal on non-carpeted surfaces.



IDENTIFYING TROLLING MOTOR FEATURES BY THEIR ASSOCIATED CABLES

IDENTIFYING TROLLING MOTOR FEATURES BY THEIR ASSOCIATED CABLES

Your trolling motor may be pre-installed with Built-In MEGA Down Imaging OR Universal Sonar, and may include i-Pilot Link. All of these features require cables to be connected to an output device. These connections are present on the trolling motor and have cables that exit below the Control Head. To better identify cables present, refer to the diagrams below that detail what the Built-In MEGA Down Imaging, Universal Sonar and i-Pilot Link cable connectors look like.



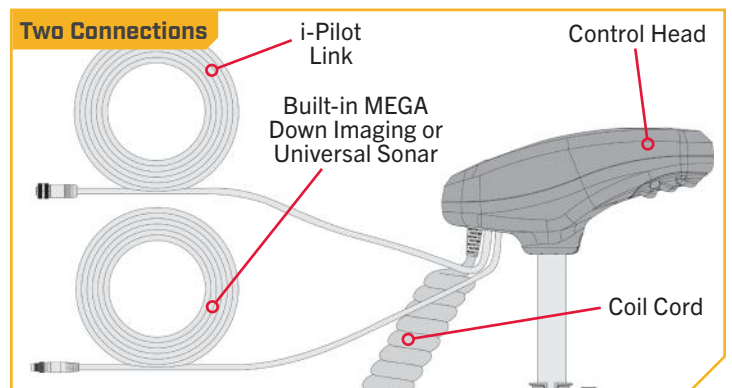
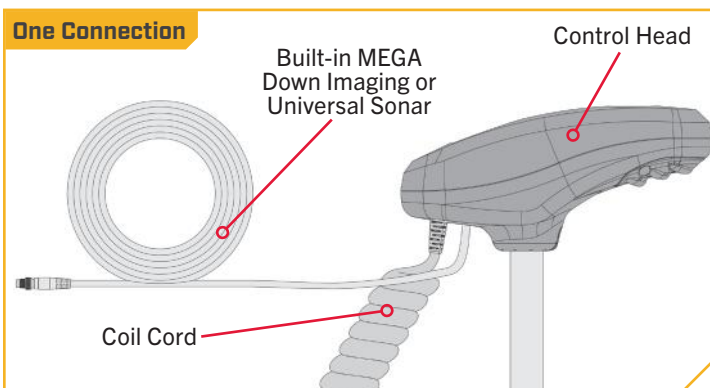
If **one** connection below the Control Head is present, the motor may be equipped with:

1. i-Pilot and Universal Sonar,
2. i-Pilot and Built-in MEGA Down Imaging,
3. ONLY Universal Sonar, or
4. ONLY Built-in MEGA Down Imaging.

NOTICE: The i-Pilot system does not have an external wired connection.

If **two** connections below the Control Head are present, the motor may be equipped with either:

1. i-Pilot Link and Universal Sonar or
2. i-Pilot Link and Built-in MEGA Down Imaging



ROUTING CONNECTION CABLES

Please follow these instructions for routing any and all of the cables present for any of the pre-installed features that may come with your trolling motor. This routing should be followed whether there are one or two connection cables present. If you are unsure of the cables present, please review the “Identifying Trolling Motor Features By Their Associated Cables” section of these Installation Instructions.

ROUTING CONNECTION CABLES

1

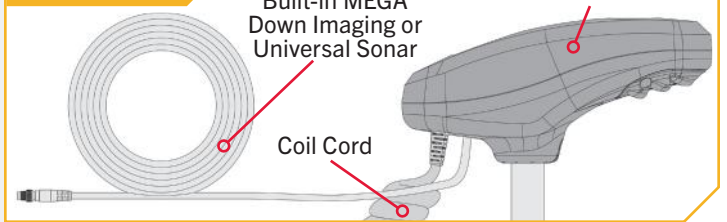
- a. Place the motor in the deployed position.
- b. Locate the Built-in MEGA Down Imaging, i-Pilot Link and/or Universal Sonar cable(s), at the base of the Control Head.

CAUTION

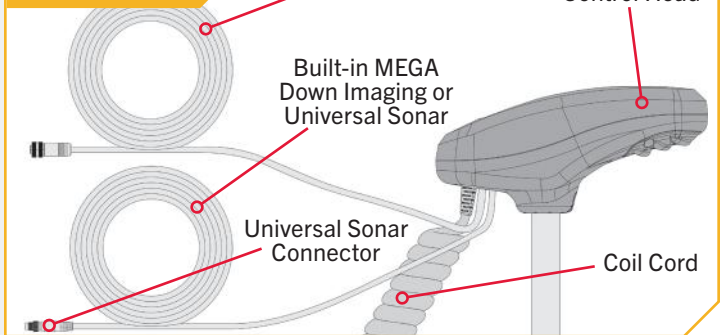
Not following the recommended wire routing for the Built-in MEGA Down Imaging, i-Pilot Link and/or Universal Sonar cable(s), if equipped, may cause damage to the product and void your product warranty. Route cables away from pinch points or other areas that may cause them to bend in sharp angles. Routing the cables in any way other than directed may cause damage to the cables by being pinched or severed.

NOTICE: Universal Sonar connector shown for illustration purposes.

One Connection



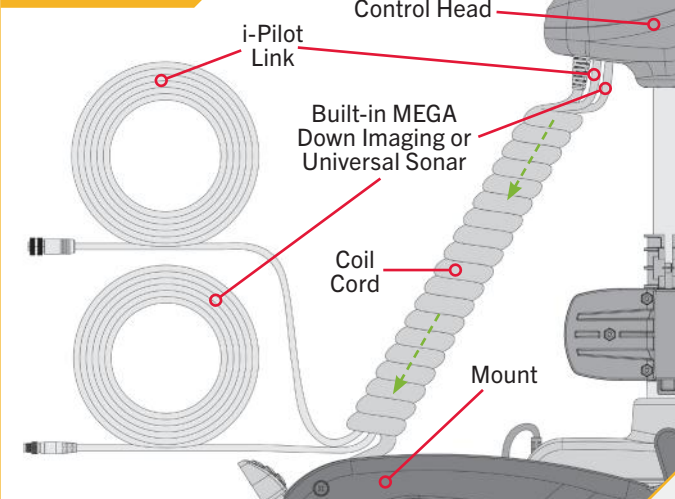
Two Connections



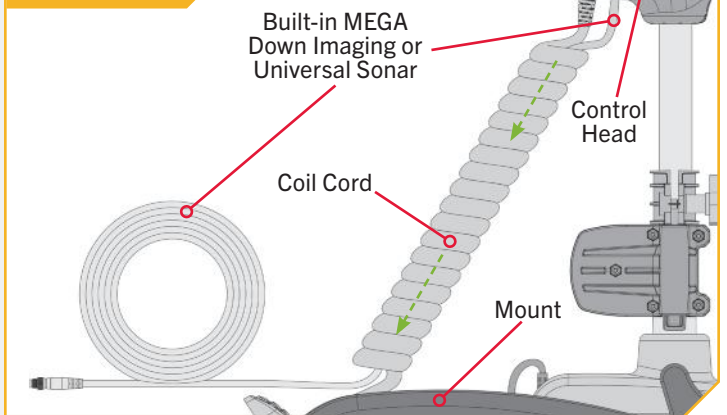
2

- c. The cable(s) should be fed all the way through the Coil Cord. It/they should exit the Coil Cord at the bottom of the Coil Cord, where it connects to the Mount.

Two Connections



One Connection



NOTICE: After the cable(s) exit(s) the Coil Cord, it/they should be routed through an established routing system on the boat, in an area with minimal interference. Power cables or other elements that may produce interference for the sonar signals. Inspect the selected route carefully to ensure that there are no sharp edges, obstacles, or obstructions that may damage the cables.

FEATURE OVERVIEW AND CONNECTING THE CABLES

FEATURE OVERVIEW AND CONNECTING THE CABLES

The cable(s) from the Control Head for each feature installed on the trolling motor is connected to an output device separately. Once the features that may be installed are identified, follow the instructions below to ensure the cables are connected correctly.

› Built-In MEGA Down Imaging

Built-In MEGA Down Imaging delivers nearly 3X the output of standard Side Imaging®, and takes fishfinding into the megahertz frequency for the very first time. The Minn Kota flagship families of trolling motors, including Ultrex, Ulterra, Terrova, and Fortrex, now include Built-In MEGA Down Imaging sonar, the clearest imaging available only from Humminbird. With Humminbird MEGA imaging sonar built right into the trolling motor, you now have a crystal clear view of what's directly beneath the boat, without having to manage all of the cables that come with external transducers. The Built-In MEGA DI transducer is only available on new models equipped from the factory and cannot be added to an existing trolling motor.

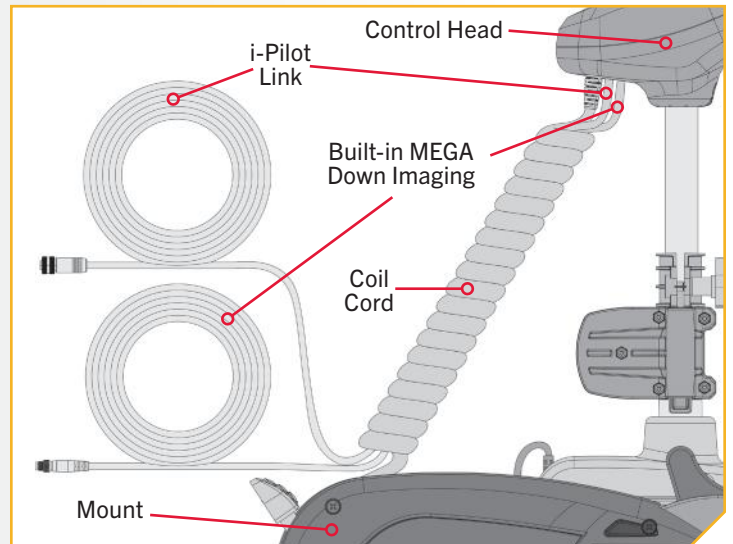
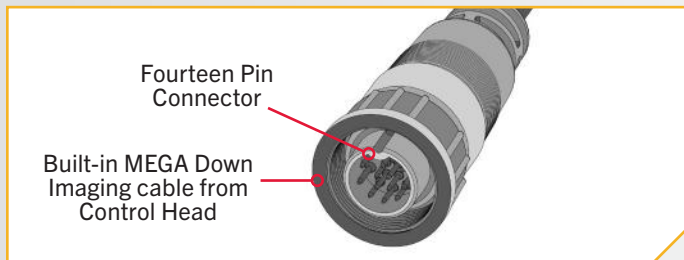
The Built-in MEGA DI transducer will provide both MEGA Down Imaging and 2D CHIRP Digital Sonar to select Humminbird models. All Built-In MEGA DI trolling motors, will come "Apex and Solix Ready" out of the box. An adapter cable accessory (MKR-MDI-1 1852085 or MKR-MDI-2 1852086) is available for purchase that will allow the connection of any compatible Humminbird Helix fish finder. The MKR-MDI-1 is used on Helix 8, 9, 10, 12 and 15 models. The MKR-MDI-2 is used for Humminbird Helix 7 models only. See the [Built-In MEGA Down Imaging Compatibility](#) chart online.

NOTICE: You can only view Down Imaging with a MEGA DI or MEGA SI HELIX G2N, G3N or G4N Series model and a required adapter, or with any SOLIX or APEX Series model. The built-in transducer cannot supply MEGA Imaging to Humminbird models that do not already have the capability. If you have a G2/G2N, G3/G3N HELIX that is not a MEGA SI or MEGA DI model, you will still get 2D Dual Spectrum CHIRP Sonar from the transducer. SOLIX G1 and HELIX G2 and G2N units need to be running the latest software update to view sonar from motors with Built-In MEGA Imaging. You can get the latest version of software for your fish finder on humminbird.com. Built-In MEGA Imaging is not supported by HELIX G1 models or other brands of fish finders.

1

- a. Place the motor in the deployed position.
- b. The Built-In MEGA Down Imaging connector from the Control Head is a 14 pin connector. Built-In MEGA Down Imaging may be installed on its own, or in conjunction with an i-Pilot or i-Pilot Link system. It will never be installed with Universal Sonar. Locate and identify the correct connection for Built-in MEGA Down Imaging cable(s), at the base of the Control Head.

NOTICE: Built-in MEGA Down Imaging is always paired with either i-Pilot or i-Pilot Link on Terrova, Ulterra and Ultrex motors. It may be pre-installed on a Fortrex motor without other features that require external connections.



NOTICE: Critical cable routing for 60" and 72" motors with i-Pilot Link and Built-in MEGA Down Imaging. Accessory Cables must exit the Coil Cord leaving three or more open coils between where the cables exit and the motor base; as assembled by the factory. Routing the cables in any other manner will not allow the motor to stow properly.

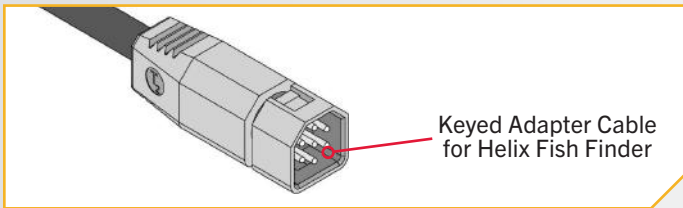
BUILT-IN MEGA DOWN IMAGING

2

- c. **When installing with a Solix or Apex**, the Built-In MEGA Down Imaging cable can be plugged directly into the Solix/Apex fish finder. Plug the Built-in MEGA Down Imaging cable into the corresponding connection on the Solix/Apex fish finder.
- d. **When installing with a Helix**, first attach the Adapter Cable and then plug the Adapter Cable into the Helix fish finder. The Adapter Cable will only have one connection that is keyed on the back of the Helix fish finder. Plug the Adapter Cable into the only matching keyed connection.

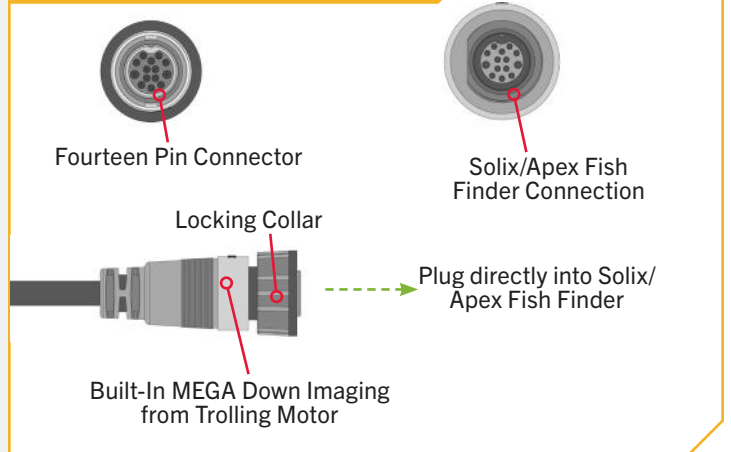
NOTICE: Check for compatibility or any required adapter cables online at minnkotamotors.com. The cable from the trolling motor can be extended with a **10' Extension Cable #720081-1** or the **30' Extension Cable #720081-2** found at humminbird.com.

NOTICE: If any cables need to be routed, please follow the guidelines in the Routing Connection Cables section of these installation instructions.

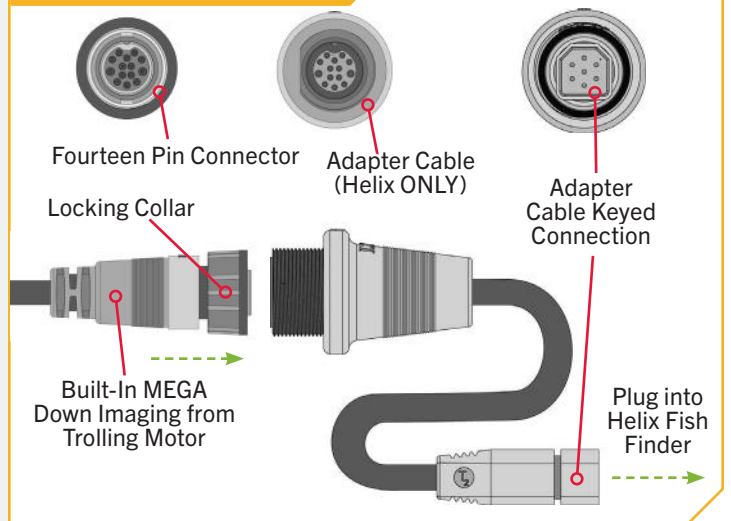


NOTICE: The connectors are keyed to prevent reversed installation.

Humminbird Solix or Apex Fish Finder



Humminbird Helix Fish Finder



UNIVERSAL SONAR

› Universal Sonar

Your trolling motor may be pre-installed with a Universal Sonar transducer system. Universal Sonar is a 2D sonar transducer with a temperature sensor that is integrated into the lower unit of the trolling motor. It has an operating frequency of 83/200 kHz. Connecting this transducer to a compatible fish finder gives you a 2D sonar view of what is happening directly below your trolling motor. The integrated design protects the transducer from underwater hazards, and prevents tangles and damage to the transducer cables.

All Universal Sonar motors are equipped with an internal bonding wire, incorrect rigging will cause sonar interference and can damage your trolling motor, electronics and other boat accessories. To minimize trolling motor interference, ensure that the fish finder and trolling motor are powered by separate batteries. Please refer to the Battery & Wiring Installation and Motor Wiring Diagram sections of this manual for correct rigging instructions.

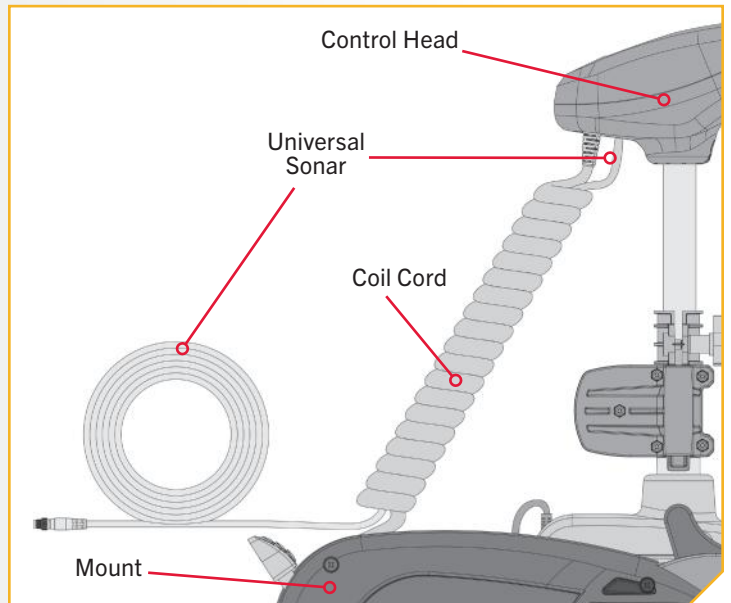
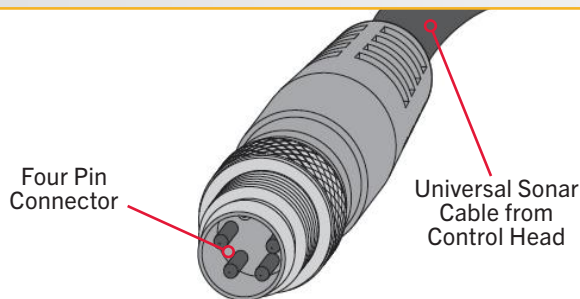
The Universal Sonar Cables are shielded to minimize interference. To protect this shielding the cables should not be pulled tight against sharp angles or hard objects. If using cable ties, do not over-tighten. Any excess cable should be bundled in a loose loop of no less than 4" in diameter. In certain situations, air bubbles may adhere to the surface of the Universal Sonar transducer, and effect the performance. If this happens simply wipe the surface of the transducer with your finger.

NOTICE: Universal Sonar does not support imaging screens that require higher frequencies such as 455 kHz or 800 kHz (Down Imaging, Side Imaging, etc.). Down Imaging (DI) specific units are not compatible with Universal Sonar. See compatibility chart for a list of compatible fish finders at minnkotamotors.com.

The connector for Universal Sonar exits the trolling motor below the Control Head and consists of a 4-pin plug. An adapter cable (MKR-US2) that is sold separately is required for all installations. For a current list of compatible fish finders and the correct adapter cable, or more information on Universal Sonar, please visit minnkotamotors.com.

- 1
 - a. Place the motor in the deployed position.
 - b. Locate the Universal Sonar, if equipped, at the base of the Mount.
 - c. Locate the Universal Sonar four pin connector at the end of Universal Sonar Extension Cable. The connector is black with a stainless steel threaded locking collar.

NOTICE: Your fish finder should be turned off until this procedure is complete.



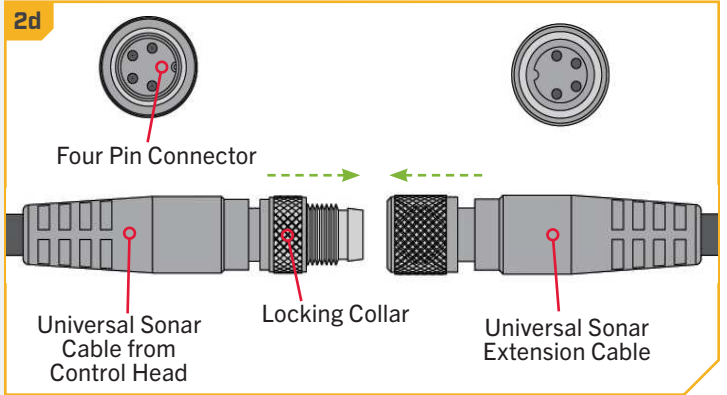
NOTICE: If the cable length does not reach the desired fish finder installation location, a 14.5' extension cable is available (MKR-US2-11) (sold separately).

2

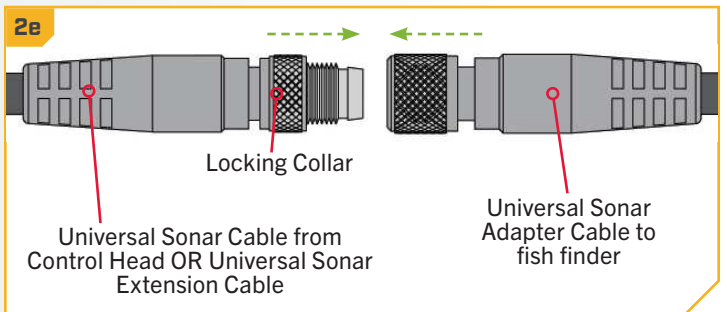
NOTICE: The Universal Sonar Cable may not be long enough to reach the fish finder. If the cable length does not reach the desired fish finder installation location, a 14.5' extension cable is available to purchase. Minn Kota recommends using the MKR-US2-11.

- d. Take the Universal Sonar Extension Cable, if needed, and attach it to the Universal Sonar Cable exiting the Control Head. Firmly push the plug together and twist the locking collar until it is snug.
- e. Install the Universal Sonar Cable that exits the Control Head or the Universal Sonar Extension Cable (if used) to the appropriate Universal Sonar Adapter Cable. Install the Adapter Cable to your fish finder. Refer to your fish finder manual for complete installation instructions.

NOTICE: If any cables need to be routed, please follow the guidelines in the Routing Connection Cables section of these installation instructions.



NOTICE: The connectors are keyed to prevent reversed installation.



› i-Pilot Link

i-Pilot Link allows your Minn Kota trolling motor and Humminbird to communicate with each other to change the way you fish. i-Pilot Link delivers a large array of GPS capabilities including controlling speed, steering, Spot-Lock, and the ability to record and retrace paths on the water, all at your fingertips. To learn more about the GPS capabilities available with your i-Pilot Link navigation system, please refer to the Owner's Manual by visiting minnkotamotors.com.

The i-Pilot Link remote and controller make up the i-Pilot Link navigation system. The i-Pilot Link remote comes paired to the controller from the factory. The i-Pilot Link controller contains a very sensitive compass and is where all GPS satellite and i-Pilot Link remote signals are received. The i-Pilot Link controller is contained in the trolling motor Control Head and is connected to a fish finder from a connection cable that exits the Control Head.

NOTICE: The i-Pilot Link system needs an external wired connection. The i-Pilot system does not need an external wired connection.

The Ethernet cable for the i-Pilot Link system has an 8-pin connector. The i-Pilot Link system can be connected directly to the Humminbird or to the Humminbird Ethernet Switch (optional). If you purchase an Ethernet Switch, install it using the instructions included in the Ethernet Installation Guide. The Ethernet Extension Cable is optional for your installation. To purchase Ethernet switches, Ethernet cables, and extension cables, visit the website humminbird.com or call Humminbird Customer Service at 1-800-633-1468. Depending on the shape of the Ethernet port on your Humminbird fish finder, an additional ethernet adapter cable (**Ethernet Adapter Cable AS EC QDE #720074-1 for Helix fish finders**) may be required for the installation. Refer to your fish finder operations manual or see the **i-Pilot Link Compatibility Chart** on our website for a list of all compatible Humminbird Units and SC Cards.

i-PILOT LINK

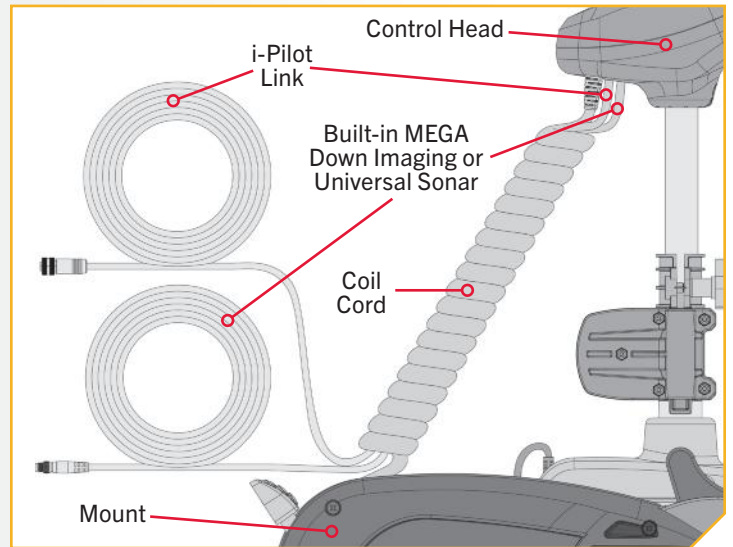
1

- a. Place the motor in the deployed position.
- b. The i-Pilot Link connector from the Control Head is an 8-pin connector. Locate and identify the correct connection for i-Pilot Link, at the base of the Control Head.

NOTICE: i-Pilot Link will be paired with either Built-in MEGA Down Imaging or Universal Sonar on Ultrex, Ultrera or Terrova. i-Pilot Link is not a feature offered on Fortrex motors.

NOTICE: Paired with a Universal Sonar connector for illustration purposes. A Built-in MEGA Down Imaging connector may be present instead.

NOTICE: Critical cable routing for 60" and 72" motors with i-Pilot Link and Built-in MEGA Down Imaging. Accessory Cables must exit the Coil Cord leaving three or more open coils between where the cables exit and the motor base; as assembled by the factory. Routing the cables in any other manner will not allow the motor to stow properly.



2

ITEM(S) NEEDED

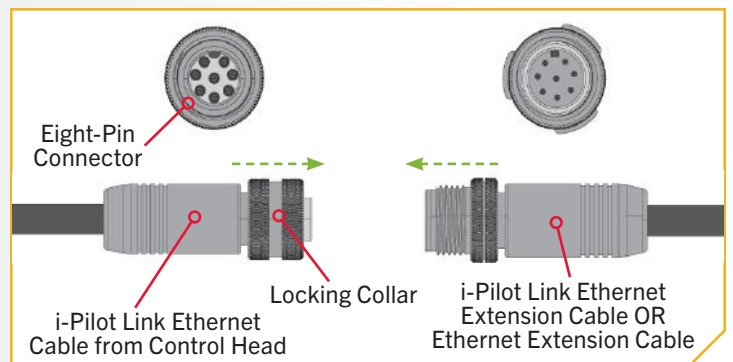


#12 x 1

- c. If necessary, to reach the installed fish finder, take the i-Pilot Link Ethernet Cable (Item #12) and attach it to the i-Pilot Link cable exiting the Control Head.

NOTICE: If any cables need to be routed, please follow the guidelines in the Routing Connection Cables section of these installation instructions.

- d. Install the i-Pilot Link Ethernet Cable directly into the Humminbird fish finder, or refer to your fish finder installation manual for complete installation instructions. If an Adapter Cable is needed (Ethernet Adapter Cable AS EC QDE for Helix fish finders), install it on the end of the i-Pilot Link Ethernet Cable and refer to your fish finder installation manual for complete installation instructions.



NOTICE: The connectors are keyed to prevent reversed installation.

BATTERY & WIRING INSTALLATION

BOAT RIGGING & PRODUCT INSTALLATION

For safety and compliance reasons, we recommend that you follow American Boat and Yacht Council (ABYC) standards when rigging your boat. Altering boat wiring should be completed by a qualified marine technician. The following specifications are for general guidelines only:

CAUTION

These guidelines apply to general rigging to support your Minn Kota motor. Powering multiple motors or additional electrical devices from the same power circuit may impact the recommended conductor gauge and circuit breaker size. If you are using wire longer than that provided with your unit, follow the conductor gauge and circuit breaker sizing table below. If your wire extension length is more than 25 feet, we recommend that you contact a qualified marine technician.

CAUTION

An over-current protection device (circuit breaker or fuse) must be used. Coast Guard requirements dictate that each ungrounded current-carrying conductor must be protected by a manually reset, trip-free circuit breaker or fuse. The type (voltage and current rating) of the fuse or circuit breaker must be sized accordingly to the trolling motor used. The table below gives recommended guidelines for circuit breaker sizing.

CONDUCTOR GAUGE AND CIRCUIT BREAKER SIZING TABLE

This conductor and circuit breaker sizing table is only valid for the following assumptions:

1. No more than 2 conductors are bundled together inside of a sheath or conduit outside of engine spaces.
2. Each conductor has 105° C temp rated insulation.
3. No more than 5% voltage drop allowed at full motor power based on published product power requirements.

Motor Thrust / Model	Max Amp Draw	Circuit Breaker	Wire Extension Length				
			5 feet	10 feet	15 feet	20 feet	25 feet
30 lb.	30	50 Amp @ 12 VDC	10 AWG	10 AWG	8 AWG	6 AWG	4 AWG
40 lb., 45 lb.	42		10 AWG	8 AWG	6 AWG	4 AWG	4 AWG
50 lb., 55 lb.	50	60 Amp @ 12 VDC	8 AWG	6 AWG	4 AWG	4 AWG	2 AWG
70 lb.	42	50 Amp @ 24 VDC	10 AWG	10 AWG	8 AWG	8 AWG	6 AWG
80 lb.	56	60 Amp @ 24 VDC	8 AWG	8 AWG	8 AWG	6 AWG	6 AWG
101 lb.	46	50 Amp @ 36 VDC	8 AWG	8 AWG	8 AWG	8 AWG	8 AWG
Engine Mount 101	50	60 Amp @ 36 VDC	8 AWG	8 AWG	8 AWG	8 AWG	8 AWG
112 lb.	52	60 Amp @ 36 VDC	8 AWG	8 AWG	8 AWG	8 AWG	8 AWG
Engine Mount 160	116	(2) x 60 Amp @ 24 VDC	6 AWG	6 AWG	4 AWG	2 AWG	2 AWG
E-Drive	40	50 Amp @ 48 VDC	10 AWG	10 AWG	10 AWG	10 AWG	10 AWG

NOTICE: Wire Extension Length refers to the distance from the batteries to the trolling motor leads. Consult website for available thrust options. Maximum Amp Draw values only occur intermittently during select conditions and should not be used as continuous amp load ratings.

Reference

United States Code of Federal Regulations: 33 CFR 183 – Boats and Associated Equipment ABYC E-11: AC and DC Electrical Systems on Boats

SELECTING THE CORRECT BATTERIES



SELECTING THE CORRECT BATTERIES

The motor will operate with any lead acid, deep cycle marine 12-volt battery/batteries. For best results, use a deep cycle, marine battery with at least a 105 amp-hour rating. Maintain battery at full charge. Proper care will ensure having battery power when you need it, and will significantly improve the battery life. Failure to recharge lead-acid batteries (within 12-24 hours) is the leading cause of premature battery failure. Use a multi-stage charger to avoid overcharging. We offer a wide selection of chargers to fit your charging needs. If you are using a crank battery to start a gasoline outboard, we recommend that you use a separate deep cycle marine battery/batteries for your Minn Kota trolling motor. For more information on battery selection and rigging, please visit minnkotamotors.com. Minn Kota trolling motors can run on Lithium-Ion batteries. However, they are specifically designed to run on traditional lead-acid batteries (flooded, AGM or GEL). Lithium-Ion batteries maintain higher voltages for longer periods of time than lead acid. Therefore, running a Minn Kota trolling motor at speeds higher than 85% for a prolonged period could cause permanent damage to the motor.

WARNING

Never connect the (+) and the (-) terminals of the same battery together. Take care that no metal object can fall onto the battery and short the terminals. This would immediately lead to a short and extreme fire danger.

CAUTION

Refer to “Conductor Gauge and Circuit Breaker Sizing Table” in the previous section to find the appropriate circuit breaker or fuse for your motor. For motors requiring a 60-amp breaker, the Minn Kota MKR-19 60-amp circuit breaker is recommended.

CAUTION

Please read the following information before connecting your motor to your batteries in order to avoid damaging your motor and/or voiding your warranty.

ADDITIONAL CONSIDERATIONS

› Using Alternator Chargers

Your Minn Kota trolling motor may be designed with an internal bonding wire to reduce sonar interference. Most alternator charging systems do not account for this bonding wire, and connect the negative posts of the trolling motor batteries to the negative posts of the crank/starting battery. These external connections can damage connected electronics and the electrical system of your trolling motor, voiding your warranty. Review your charger’s manual carefully or consult the manufacturer prior to use to ensure your charger is compatible.

Minn Kota recommends using Minn Kota brand chargers to recharge the batteries connected to your Minn Kota trolling motor, as they have been engineered to work with motors that include a bonding wire.

› Additional Accessories Connected to Trolling Motor Batteries

Significant damage to your Minn Kota motor, your boat electronics, and your boat can occur if incorrect connections are made between your trolling motor batteries and other battery systems. Minn Kota recommends using an exclusive battery system for your trolling motor. Where possible, accessories should be connected to a separate battery system. Radios and sonar units should not be connected to any trolling motor battery systems as interference from the trolling motor is unavoidable. If connecting any additional accessories to any trolling motor battery system, or making connections between the trolling motor batteries and other battery systems on the boat, be sure to carefully observe the information below.

The negative (-) connection must be connected to the negative terminal of the same battery that the trolling motor negative lead connects to. In the diagrams below this battery is labeled “Low Side” Battery. Connecting to any other trolling motor battery will input positive voltage into the “ground” of that accessory, which can cause excess corrosion. Any damage caused by incorrect connections between battery systems will not be covered under warranty.

› Automatic Jump Start Systems and Selector Switches

Automatic jump start systems and selector switches tie the negatives of the connected batteries together. Connecting these systems to the “High Side” Battery or “Middle” Battery in the diagrams below and will cause significant damage to your trolling motor and electronics. The only trolling motor battery that is safe to connect to one of these systems is the “Low Side” Battery.

NOTICE: The internal bonding wire is equipped with a 3 amp fuse. Improper connections described above carrying in excess of 3 amps will blow this fuse and no further damage will be exhibited. If this occurs, RF interference from the trolling motor affecting sonar units and other electronics will be more significant. If the fuse is blown the wiring error should be found and addressed prior to replacing the fuse. The replacement fuse should be 3 amps or less. An intact fuse does not imply correct rigging; significant damage can be done by incorrect wiring without approaching 3 amps of current.

CONNECTING THE BATTERIES

› 12-Volt Systems

1. Make sure that the motor is switched off (speed selector on “OFF” or “0”).
2. Connect positive (+) red lead to positive (+) battery terminal.
3. Connect negative (–) black lead to negative (–) battery terminal.

WARNING

For safety reasons do not switch the motor on until the propeller is in the water. If installing a leadwire plug, observe proper polarity and follow instructions in your boat owner’s manual.

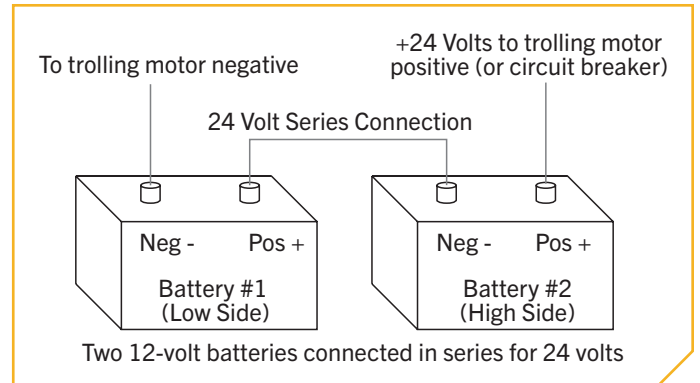
CONNECTING THE BATTERIES IN SERIES

CONNECTING THE BATTERIES IN SERIES (IF REQUIRED FOR YOUR MOTOR)

› 24-Volt Systems

Two 12-volt batteries are required. The batteries must be wired in series, only as directed in the wiring diagram, to provide 24 volts.

1. Make sure that the motor is switched off (speed selector on “0”).
2. Connect a connector cable to the positive (+) terminal of battery 1 and to the negative (–) terminal of battery 2.
3. Connect positive (+) red motor lead to positive (+) terminal on battery 2.
4. Connect negative (–) black motor lead to negative (–) terminal of battery 1.



WARNING

For safety reasons do not switch the motor on until the propeller is in the water. If installing a leadwire plug, observe proper polarity and follow instructions in your boat owner’s manual.

WARNING

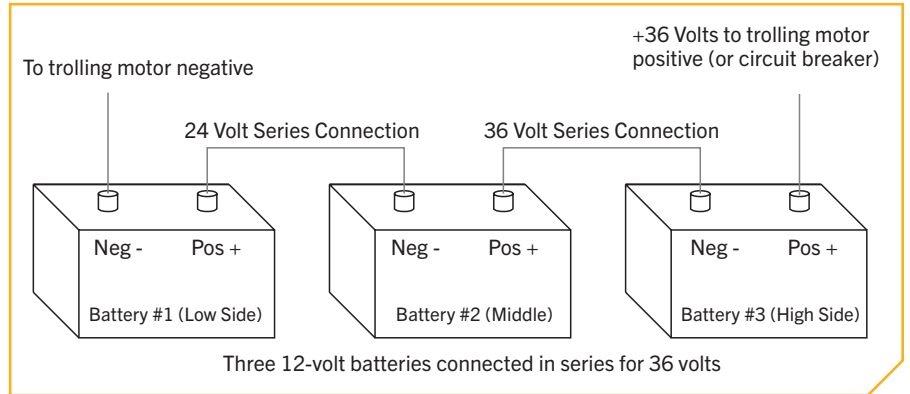
- For safety reasons, disconnect the motor from the battery or batteries when the motor is not in use or while the battery/batteries are being charged.
- Improper wiring of 24/36 volt systems could cause battery explosion.
- Keep leadwire wing nut connections tight and solid to battery terminals.
- Locate battery in a ventilated compartment.

CONNECTING THE BATTERIES IN SERIES

36-Volt Systems

Three 12-volt batteries are required. The batteries must be wired in series, only as directed in the wiring diagram, to provide 36 volts.

1. Make sure that the motor is switched off (speed selector on "0").
2. Connect a connector cable to the positive (+) terminal of battery 1 and to the negative (-) terminal of battery 2 and another connector cable from the positive (+) terminal of battery 2 to the negative (-) terminal of battery 3.
3. Connect positive (+) red motor lead to positive (+) terminal on battery 3.
4. Connect negative (-) black motor lead to negative (-) terminal of battery 1.



WARNING

For safety reasons, do not switch the motor on until the propeller is in the water. If installing a leadwire plug, observe proper polarity and follow instructions in your boat owner's manual.

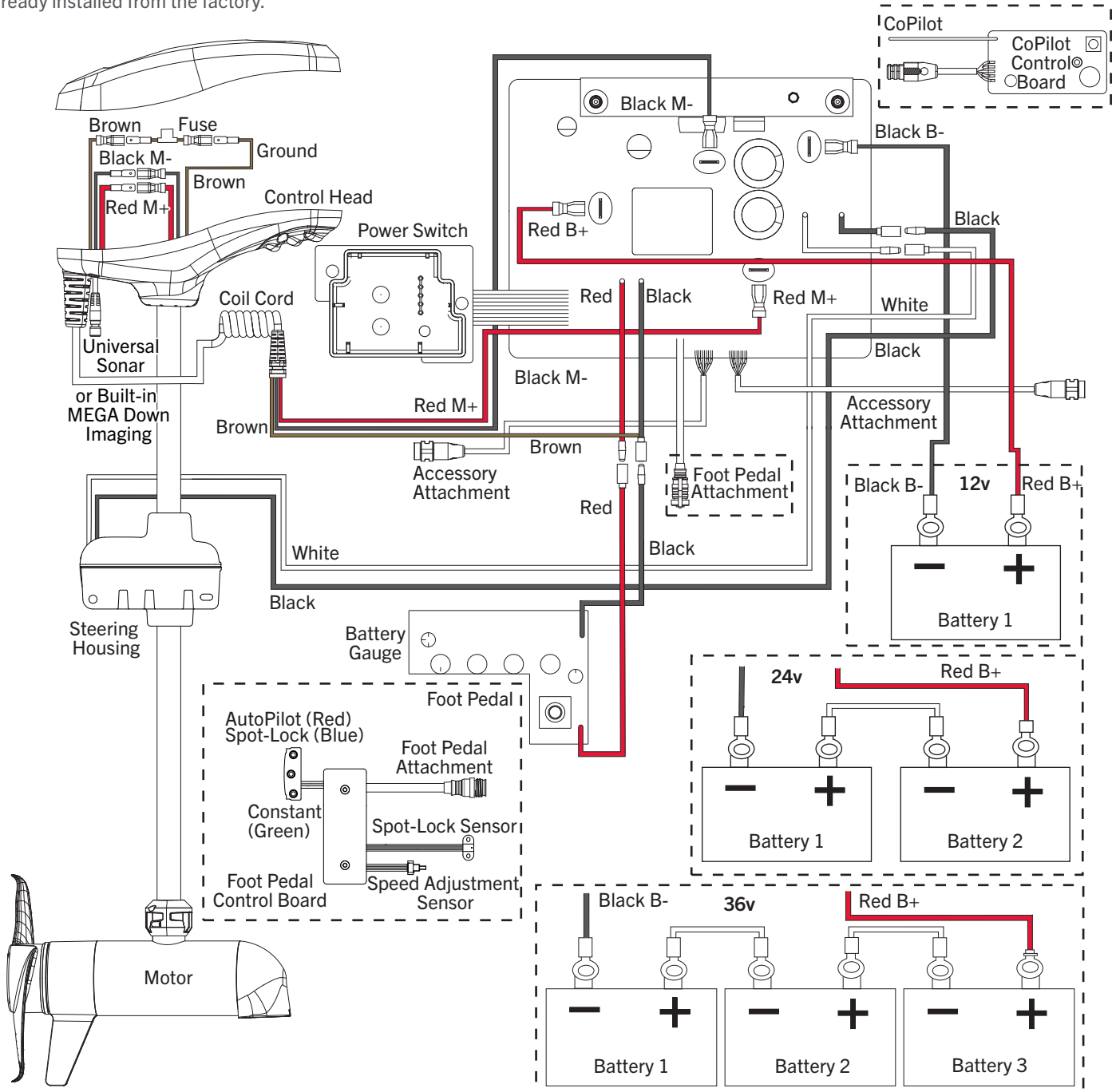
WARNING

- For safety reasons, disconnect the motor from the battery or batteries when the motor is not in use or while the battery/batteries are being charged.
- Improper wiring of 24/36 volt systems could cause battery explosion.
- Keep leadwire wing nut connections tight and solid to battery terminals.
- Locate battery in a ventilated compartment.

MOTOR WIRING DIAGRAM

TERROVA

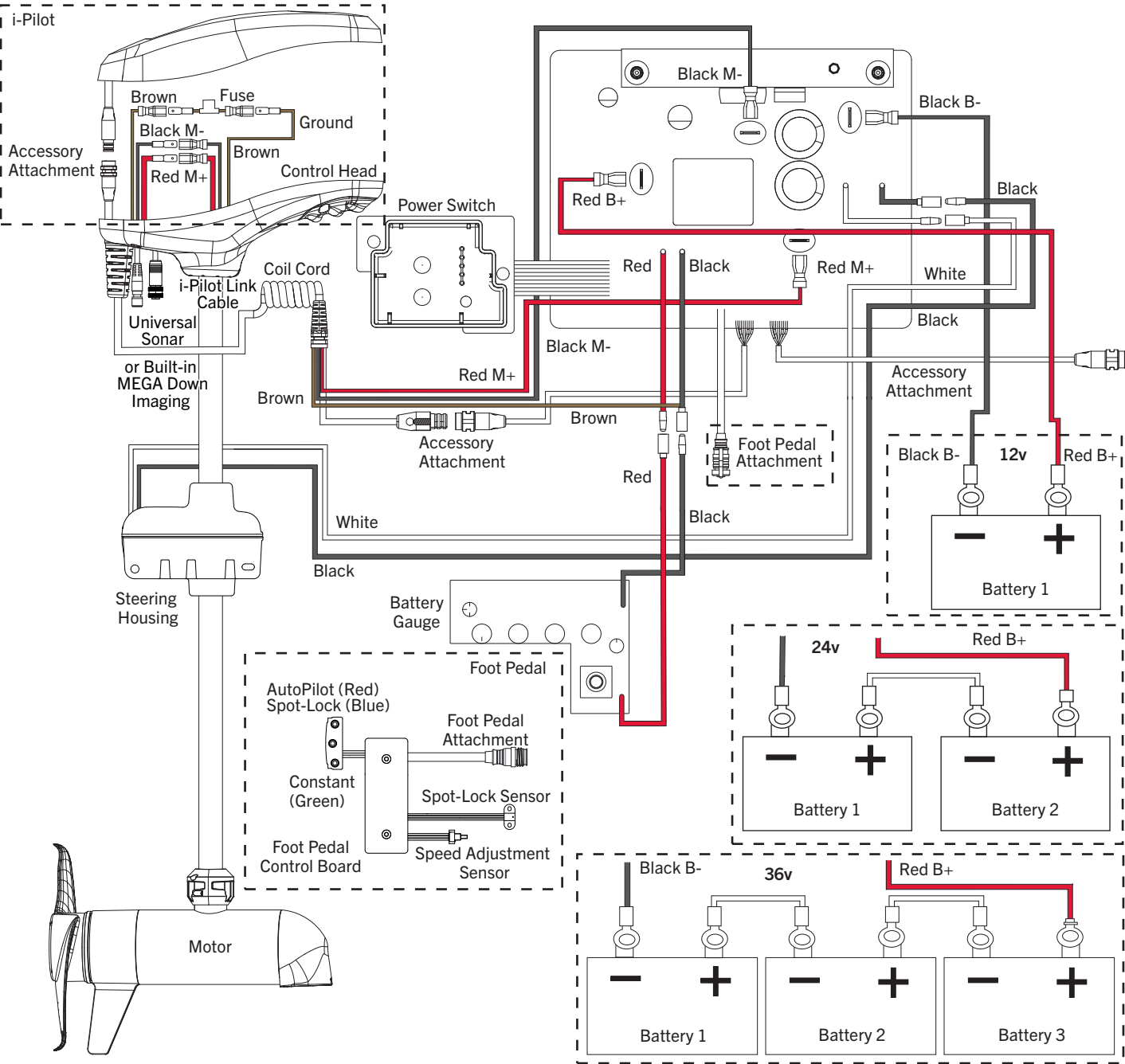
The following Motor Wiring Diagram applies to all Terrova models that do not come factory installed i-Pilot or i-Pilot Link. Not all models come with Universal Sonar or Built-in MEGA Down Imaging. CoPilot can be installed on these models, but this feature may not come already installed from the factory.



NOTICE: This is a multi-voltage diagram. Double-check your motor's voltage for proper connections. Over-Current Protection Devices are not shown in this illustration. If equipped with Universal Sonar or Built-in MEGA Down Imaging, please visit the website minnkotamotors.com for additional information.

TERROVA WITH i-PILOT OR i-PILOT LINK

The following Motor Wiring Diagram applies to all Terrova models that come factory installed with either i-Pilot or i-Pilot Link.

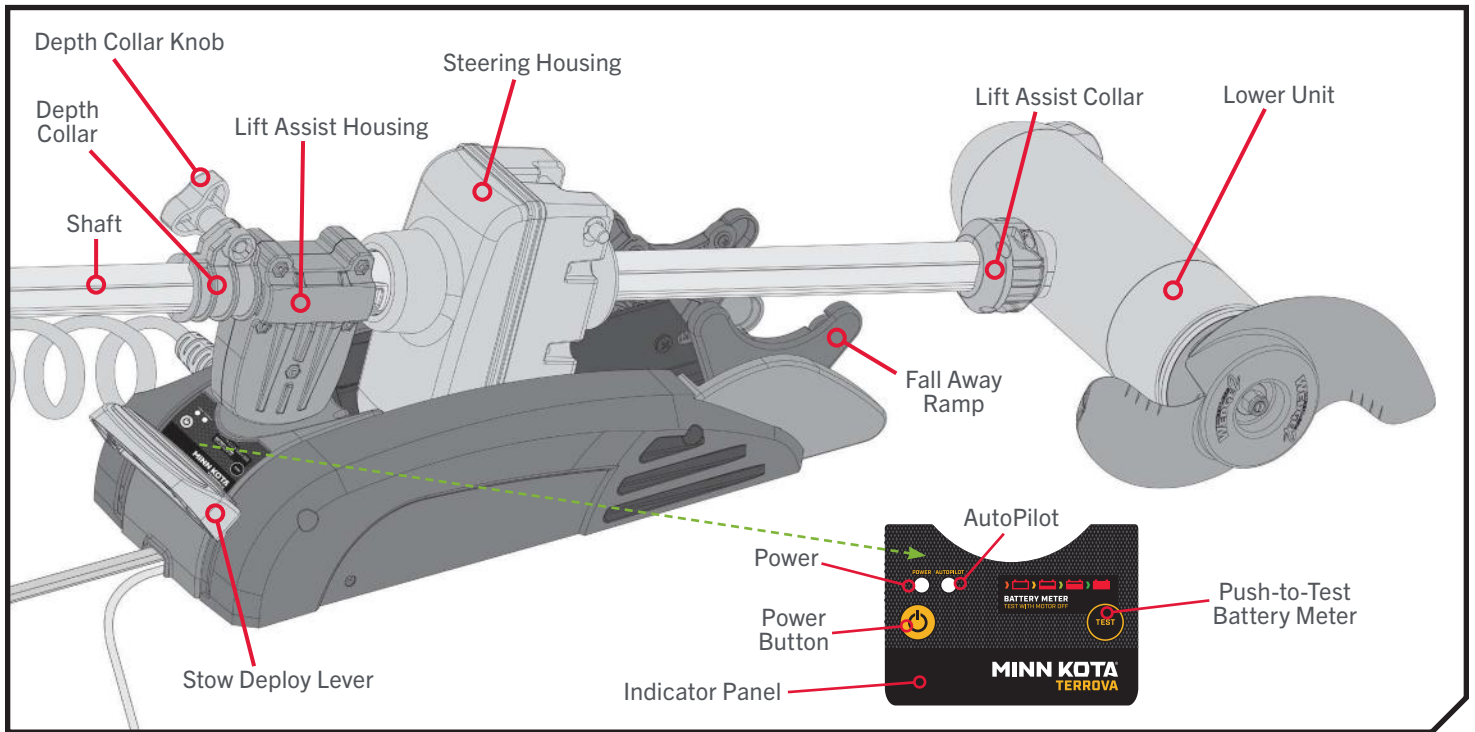


NOTICE: This is a multi-voltage diagram. Double-check your motor's voltage for proper connections. Over-Current Protection Devices are not shown in this illustration. If equipped with Universal Sonar or Built-in MEGA Down Imaging, please visit the website minnkotamotors.com for additional information.

USING & ADJUSTING THE MOTOR

MOUNT FEATURES

Become familiar with the features of the motor to maximize the capabilities this product offers.



› Depth Collar & Depth Collar Knob

The Depth Collar is located on the Shaft above the Lift Assist Housing. It functions to hold the motor at the proper depth while deployed. It also functions to hold the Lower Unit in place when stowed while not in use and during transport. The Depth Collar Knob is used to loosen and tighten the Depth Collar so that it can be used to slide up and down the motor shaft.

⚠ WARNING

When the motor is being transported, it is important to place the Depth Collar snug against the Lift Assist Housing and tighten. This provides a secure stow and holds the motor in place during transportation when it is subject to high levels of shock and vibration. Failure to secure the motor may result in injury or damage to the unit.




› Fall Away Ramps

The Fall Away Ramps hold the Lower Unit when the Motor is stowed and rotate to release the Lower Unit as the unit is being deployed. When the Stow Deploy Lever is pressed it unlocks the position of the Fall Away Ramps and the Ramps rotate to guide the Lower Unit back onto the mount when the motor is stowed.

⚠ WARNING

When stowing or deploying the motor, keep fingers clear of all hinge and pivot points and all moving parts.

› Power Button



The Power button  is located on the Indicator Panel on the Mount. The Terrova must be manually powered "on" and "off". When the Motor is powered "on", the Power Indicator will be illuminated green . When the Motor is powered "off", the Power Indicator will not be illuminated .

STOWING AND DEPLOYING THE MOTOR

CAUTION

For safety reasons, disconnect the motor from the battery/batteries when the motor is not in use or while the battery/batteries are being charged. If the motor control is left on and the propeller rotation is blocked, severe motor damage can result.

› AutoPilot

The AutoPilot Indicator is located on the Indicator Panel on the Mount. It is illuminated green  when AutoPilot is engaged and it is not illuminated  when AutoPilot is not engaged.

› Stow Deploy Lever

The Stow Deploy Lever is located at the top of the mount. The Stow Deploy Lever functions to unlatch the Fall Away Ramps which rotate to guide the Lower Unit. The Stow Deploy Lever is actuated by pressing it down.

STOWING AND DEPLOYING THE MOTOR

› To Deploy the Motor

Loosen the Depth Collar, then push firmly down on the Stow Deploy Lever to release the Lift Assist Collar and slide the motor forward, out from the Fall Away Ramp. Lower the motor to the desired depth. Make sure it clicks into a secure, vertical position. Once at the desired depth, slide the Depth Collar against the Lift Assist Housing and tighten.

› To Stow the Motor

Loosen the Depth Collar and depress the Stow Deploy Lever. Raise the motor by pulling up on the Shaft or Control Head. Pull the motor toward the stern until it rests securely on the Fall Away Ramp and the Fall Away Ramps captures the Lower Unit. Slide the Depth Collar down and secure it against the top of the Lift Assist Housing to secure the motor in place and prevent accidental deployment.

PUSH-TO-TEST BATTERY METER

This motor is equipped with a Push-to-Test Battery Meter. The LED located on the Indicator Panel on the Mount of the motor. The Battery Meter provides an accurate display of the remaining charge in the battery. It is only accurate when the motor is off. The meter reads as follows:

- One light indicates recharge.
- Two lights indicate low charge.
- Three lights indicate good charge.
- Four lights indicate full charge.

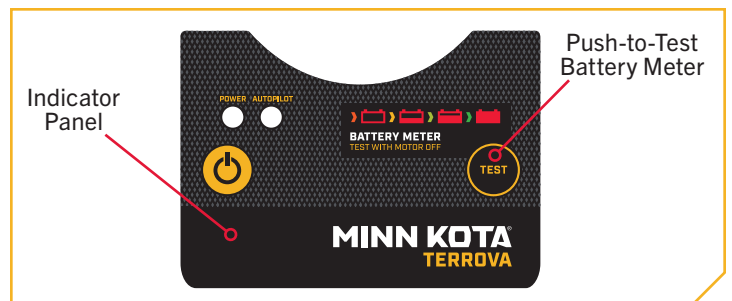
WARNING

When stowing or deploying the motor, keep fingers clear of all hinge and pivot points and all moving parts.

WARNING

The Control Head will create a pinch point if the Depth Collar Knob is loosened and the Control Head slides to the top of the Depth Collar. Grasp the Shaft and prevent it from sliding all the way down to prevent the pinch point.

Practice proper ergonomics when stowing and deploying the motor to prevent injury.



WARNING

Moving parts can cut or crush. The Lift Assist Housing can come off of Steering Housing and create a crushing hazard. Keep fingers clear of all moving parts.

ADJUSTING THE DEPTH OF THE MOTOR

MOTOR ADJUSTMENTS >

ADJUSTING THE DEPTH OF THE MOTOR

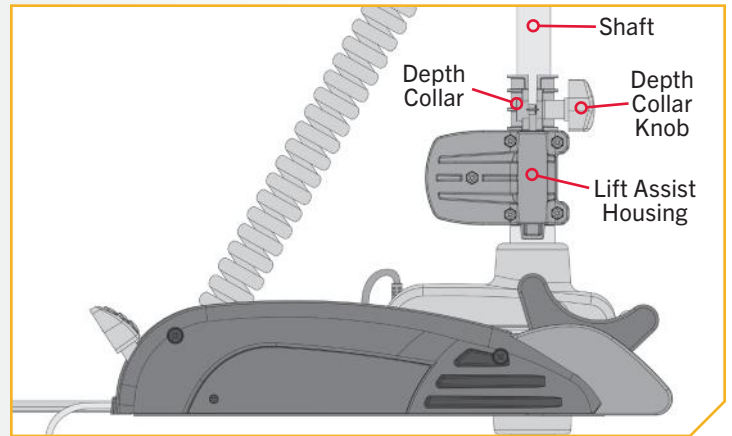
Once the boat is on the water, it may be necessary to adjust the Lower Unit up or down to achieve an optimum depth for motor performance. When setting the depth of the motor, be sure the top of the motor is submerged at least 12" below the surface of the water to avoid churning or agitation of surface water.

- 1 a. With the motor in the deployed position, locate the Depth Collar on the Shaft above the Lift Assist Housing.
- b. While holding the Shaft, loosen the Depth Collar Knob until the Shaft can slide up and down freely.



WARNING

The Control Head will create a pinch point if the Depth Collar Knob is loosened and the Control Head slides to the top of the Depth Collar. Grasp the Shaft and prevent it from sliding all the way down to prevent the pinch point.



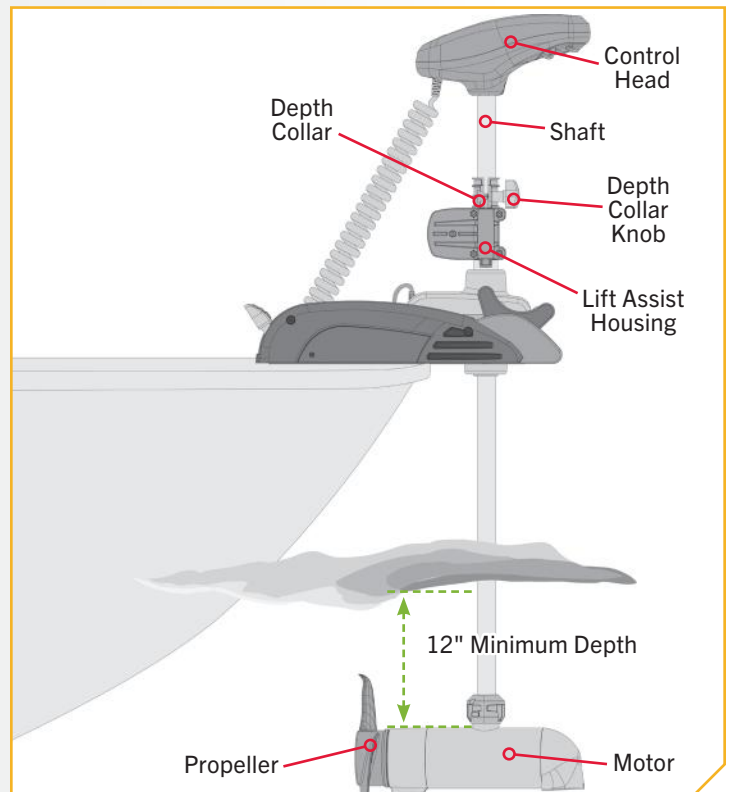
- 2 c. Raise or lower the motor to the desired depth.
- d. Turn the motor Control Head to the desired position.
- e. Slide the Depth Collar against the Steering Housing and tighten the Depth Collar Knob to secure the motor in place.

NOTICE: Be sure the top of the motor is submerged at least 12" below the surface of the water to avoid churning or agitation of surface water.



WARNING

The Lift Assist Housing contains a spring that may break from excessive wear. Watch for sharp points that can be a puncture hazard. Always use care when handling the motor.



ADJUSTING THE LOWER UNIT FOR A SECURE STOW

ADJUSTING THE LOWER UNIT FOR A SECURE STOW

When the Motor is stowed, the Lower Unit should rest on the Fall Away Ramps, a part of the Motor Mount. It is recommended to secure the motor using the following instructions to avoid damage to the motor and shaft from vibrations during transport.

1

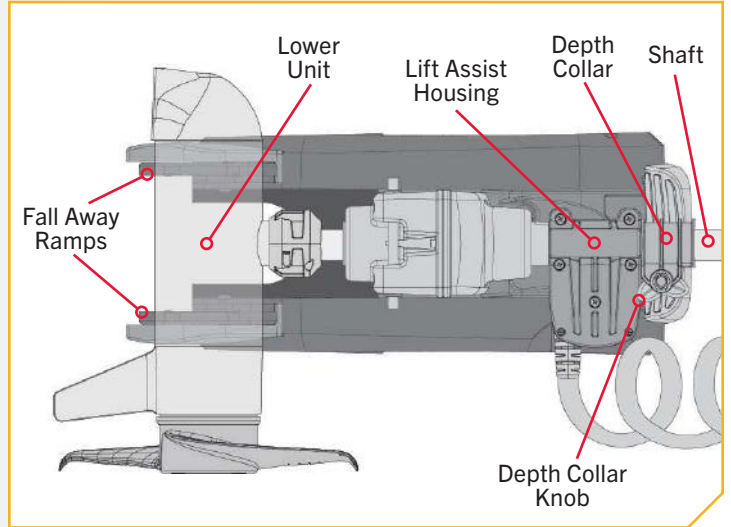
- a. Before transporting the boat over water or land, stow the motor to determine where the Lower Unit rests on the Fall Away Ramps.

NOTICE: The correct positioning of the Lower Unit will place it directly on the Fall Away Ramps.

- b. If the Lower Unit does not sit on the Fall Away Ramps, deploy the motor, and stow it again.
- c. Be sure to press the Stow Deploy Lever and adjust the Motor to allow it to rest on the Fall Away Ramps.

CAUTION

The Lower Unit should be placed on the Mount Ramps every time the motor is transported. If the Lower Unit is improperly placed, either above or below the Motor Rest Area, damage to the Lower Unit or Shaft will occur and the Shaft will be incorrectly captured. Not following the recommended placement for the Lower Unit will cause damage to the product and void your product warranty.



NOTICE: Slide the Depth Collar down and secure it against the top of the Steering Housing when stowed to secure the motor in place and prevent accidental deployment.

WARNING

When the motor is being transported, it is important to place the Depth Collar snug against the Lift Assist Housing and tighten. This provides a secure stow and holds the motor in place during transportation when it is subject to high levels of shock and vibration. Failure to secure the motor may result in injury or damage to the unit.

INSTALLING AN EXTERNAL TRANSDUCER

INSTALLING AN EXTERNAL TRANSDUCER

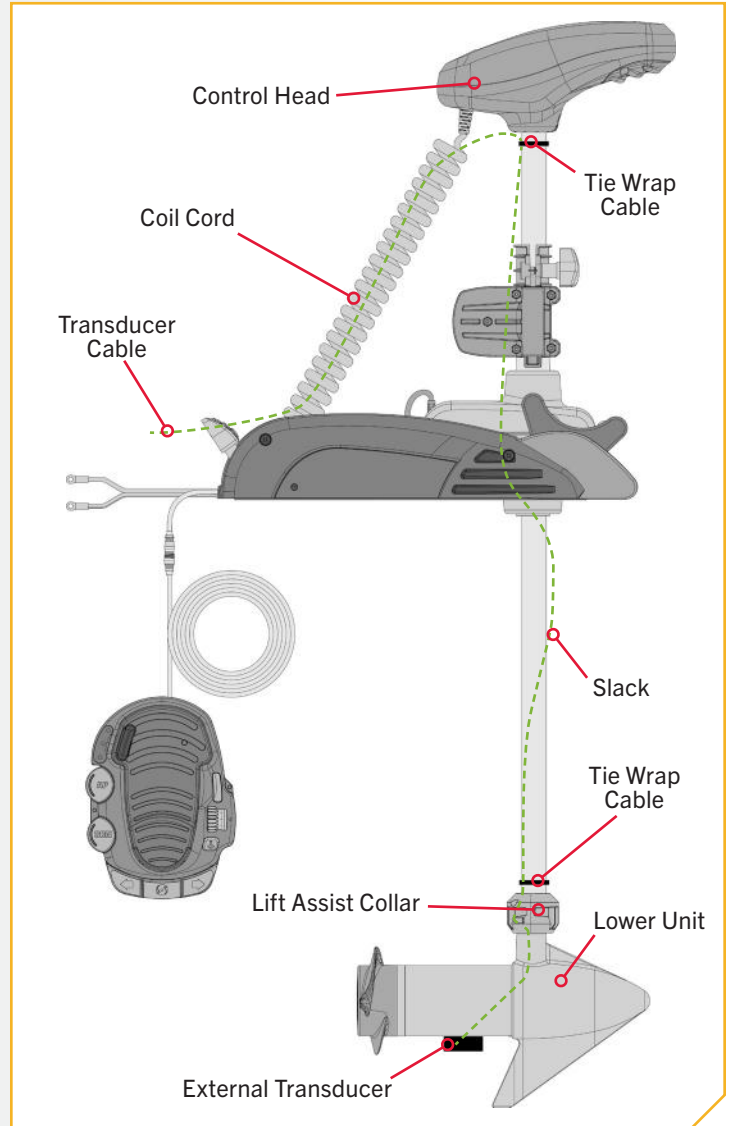
An external transducer is not included with your trolling motor. An external transducer can be installed onto motors that have Universal Sonar or motors that do not have a built in transducer. For more information on Universal Sonar, please visit minnkotamotors.com. Installing an external transducer is not recommended for motors with Built-in MEGA Down Imaging.

1

- a. Mount the External Transducer according to directions provided with the transducer.
- b. Leave enough slack in the Transducer Cable between the Lower Unit and Control Head to allow the motor to properly stow and deploy.
- c. Use two tie wrap cables to secure the Transducer Cable to the Shaft just above the Lift Assist Collar and just below the Control Head.
- d. Run the Transducer Cable through the Coil Cord to the power supply.

CAUTION

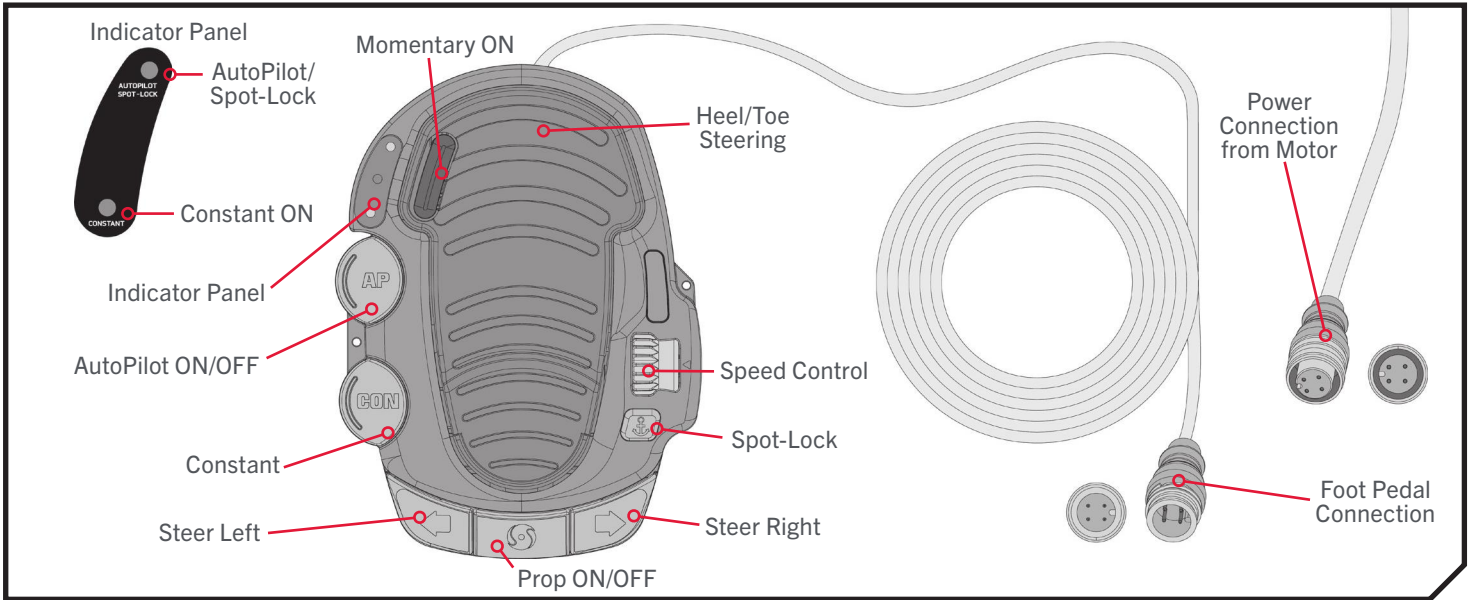
Not following the recommended wire routing for the Universal Sonar and External Transducer Cables may cause damage to the product and void your product warranty. Take care to test the length and placement of cable to be sure that there is enough slack where needed and that cables are free of being entangled in moving parts. Routing the cables in any way other than directed may cause damage to the cables by being pinched or severed.



USING THE FOOT PEDAL

CONTROLLING SPEED & STEERING WITH THE FOOT PEDAL



The foot pedal is used to operate the motor, and controls on the foot pedal are easy to operate by either foot or hand. A light touch is all that is necessary. The motor can also be controlled by an i-Pilot or i-Pilot Link remote, as well as any compatible Minn Kota remote. Please refer to the [i-Pilot](#), [i-Pilot Link](#) or compatible remote manual on how the remote controls the motor. To learn more about accessories that are compatible with the Terrova, please visit minnkotamotors.com.



› Motor Speed

The Speed Control knob is located on the right side of the Foot Pedal above the Spot-Lock button. Turn the Speed Knob forward to increase speed and backwards to decrease speed. The Speed Control knob can be set in a range from 0 to 10. Speed can also be adjusted using the remote.

› Spot-Lock

The Spot-Lock button  is located on the bottom, right side of the Foot Pedal and is labeled with an anchor symbol. When the Spot-Lock button is pressed, the location of the motor is recorded to a temporary memory location. The blue light  next to the Spot-Lock label on the Indicator Panel is illuminated when Spot-Lock is engaged. To engage Spot-Lock press the Spot-Lock button, to disengage, press the Spot-Lock button again. When engaging Spot-Lock, a tone will be emitted. When disengaging Spot-Lock with the Spot-Lock button, no tone will be emitted. Steering the motor with the Foot Pedal or adjusting the speed using the Speed Knob will cancel Spot-Lock and a High-Low, High-Low, High-Low tone will be emitted. Spot-Lock can also be controlled with the remote. For more specific directions on how to use Spot-Lock, please refer to either the [i-Pilot](#) or [i-Pilot Link](#) Manual.


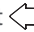
WARNING

You are responsible for the safe and prudent operation of your vessel. We have designed the Terrova to be an accurate and reliable tool that will enhance boat operation and improve your ability to catch fish. This product does not relieve you from the responsibility for safe operation of your boat. You must avoid hazards to navigation and always maintain a permanent watch so you can respond to situations as they develop. You must always be prepared to regain manual control of your boat. Learn to operate your Terrova in an area free from hazards and obstacles.

Practice proper ergonomics when operating the foot pedal to prevent injury.

USING THE FOOT PEDAL

› Steer Right/Steer Left


The Steer Right  and Steer Left  buttons are located at the bottom of the Foot Pedal. They function to steer right and left. Holding the Steer Right or Steer Left buttons down will continue to steer the motor to the left or right. Small steering changes of less than one degree can be made by quickly tapping the Steer Right and Steer Left buttons. The position and direction of the Steering Head directly corresponds to the position of the motor. The direction of the motor can also be controlled with the remote.

CAUTION



The steering system is designed to turn your motor 360 degrees. Be careful to avoid overwrapping the Coil Cord around the trolling motor Shaft. Overwrapping the coil cord will cause damage and prevent operation.

NOTICE: The motor will not auto correct to drive straight when it encounters an obstruction.

› Prop ON/OFF



The Prop ON/OFF  button is located in the bottom, middle of the Foot Pedal. It functions to turn the Prop on and off. The Prop will turn on when pressure is applied and turn off when pressure to the button is removed.

› Constant

The Constant button  is located on the left side of the Foot Pedal, towards the bottom, right below the AutoPilot button. It functions to toggle the motor between Constant Motor Operation and Momentary Motor Operation. The green light  on the Indicator Panel will be illuminated when the motor is in Constant Motor Operation. In Constant Mode, the propeller will continually run, regardless of whether or not force is being applied to the Momentary button or Prop ON/OFF button. While in Constant Motor Operation, the propeller will run continuously at the speed set by the Speed Control knob, or by the i-Pilot or i-Pilot Link remote.

If a propeller encounters an obstruction while either in Momentary or Constant Mode, while the propeller is running, the increased electrical current being generated by the obstruction will signal the motor to decrease the power to the propeller to prevent damage. If the current overload is detected for more than 20 seconds, the prop will be disabled to prevent damage to the motor. In this event, the operator can turn the prop back on after being sure that the obstruction has been cleared.

› AutoPilot

The AutoPilot  button is located in the middle, on the left side of the Foot Pedal. Pressing the AutoPilot button toggles the feature on and off for motor that are installed with this feature. The red light  on the Indicator Panel is illuminated when this feature is engaged. When AutoPilot is initiated from the Foot Pedal, the default AutoPilot mode is determined by the remote. AutoPilot can also be engaged and disengaged using the remote. For more specific directions on how to use AutoPilot, please refer to either the [i-Pilot](#) or [i-Pilot Link](#) Manual. The AutoPilot Indicator on the Mount will also be illuminated when AutoPilot is engaged.

› Momentary

In Momentary Motor Operation, the propeller will only run while downward force is applied to the Momentary button. The Momentary button is on the Toe End of the Heel/Toe Steering pedal. Applying downward pressure to the Momentary button will turn the propeller on. The motor will then run at the speed set by the Speed Knob or remote. Removing downward force to the Momentary button will turn the propeller off. No indicator light is associated with the Momentary button. The Momentary button functions very similar to the Prop ON/OFF button.

› Heel/Toe Steering

Push the Toe End of the Foot Pedal down to turn right and push the Heel End of the Foot Pedal down to turn left. The position and direction of the Control Head directly corresponds to the position of the motor. You must use your foot on the pedal to control the steering direction during manual operation. The direction of the motor can also be controlled with the remote.

› Steering in Reverse

The propeller always turns in the forward direction. You can reverse the direction of thrust by turning the motor 180°.

SERVICE & MAINTENANCE

PROPELLER REPLACEMENT

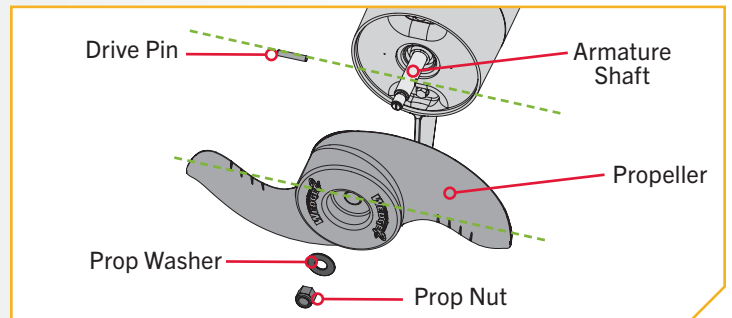
TOOLS AND RESOURCES REQUIRED >

- 9/16" Open End Wrench
- Flat Blade Screwdriver

INSTALLATION >

- Disconnect the motor from all sources of power prior to changing the propeller.
 - Hold the propeller and loosen the Prop Nut with a pliers or a wrench.
 - Remove the Prop Nut and Prop Washer.

NOTICE: If the Drive Pin is sheared or broken, you will need to hold the shaft stationary with a flat blade screwdriver pressed into the slot on the end of the shaft while you loosen the Prop Nut.



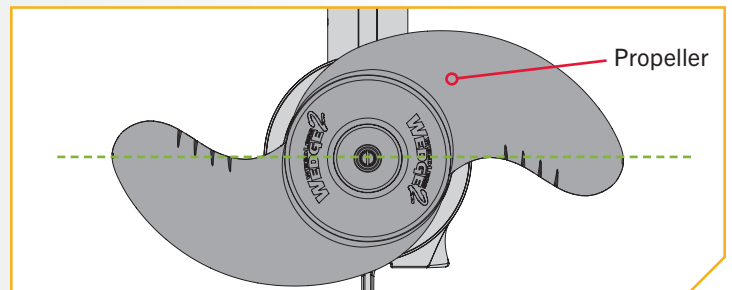
CAUTION

Disconnect the motor from the battery before beginning any prop work or maintenance.

- Turn the old prop to horizontal and pull it straight off. If drive pin falls out, push it back in.

CAUTION

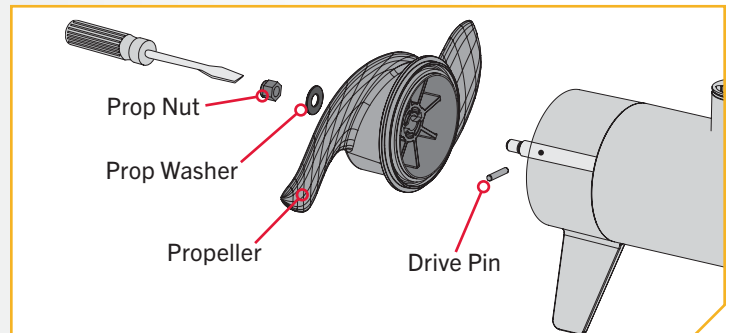
If the prop does not readily slide off, take care to not bend the Armature Shaft while removing the prop by pulling the prop evenly off the Armature Shaft.



- Align the new Propeller with the Drive Pin.
 - Install the Prop Washer and Prop Nut.
 - Tighten the Prop Nut 1/4 turn past snug at 25-35 inch-lbs.

CAUTION

Do not over tighten as this can damage the prop.



SERVICE & MAINTAINANCE



GENERAL MAINTENANCE

- After use, the entire motor should be rinsed with freshwater. This series of motors is not equipped for saltwater exposure.
- The composite shaft requires periodic cleaning and lubrication for proper retraction and deployment. A coating of an aqueous-based silicone spray will improve operation.
- The propeller must be inspected and cleaned of weeds and fishing line after every use. Fishing line and weeds can get behind the prop, damage the seals and allow water to enter the motor.
- Verify that the prop nut is secure each time the motor is used.
- To prevent accidental damage during transportation or storage, disconnect the battery whenever the motor is off of the water. For prolonged storage, lightly coat all metal parts with an aqueous-based silicone spray.
- For maximum battery life, recharge the battery(s) as soon as possible after use. For maximum motor performance, restore the battery to full charge prior to use.
- Keep battery terminals clean with fine sandpaper or emery cloth.
- The propeller is designed to provide weed-free operation with very high efficiency. To maintain this top performance, the leading edge of the blades must be kept smooth. If they are rough or nicked from use, restore to smoothness by sanding with fine sandpaper.

TROUBLESHOOTING

1. Motor fails to run or lacks power:
 - Check battery connections for proper polarity.
 - Make sure terminals are clean and corrosion-free. Use fine sandpaper or emery cloth to clean terminals.
 - Check battery water level. Add water if needed.
2. Motor loses power after a short running time:
 - Check battery charge. If low, restore to full charge.
3. Motor is difficult to steer:
 - Loosen the steering tension knob on the bracket.
 - Lubricate the composite shaft.
4. You experience prop vibration during normal operation:
 - Remove and rotate the prop 180°. See removal instructions in the "Propeller Replacement" section.
5. Experiencing interference with your fishfinder:
 - You may, in some applications, experience interference in your depth finder display. We recommend that you use a separate deep-cycle marine battery for your trolling motor and that you power the depth finder from the starting/cranking battery. If problems still persist, call our service department at 1-800-227-6433.


NOTICE: For all other malfunctions, visit an Authorized Service Center. You can search for an Authorized Service Center in your area by visiting minnkotamotors.com, or by calling our customer service number at 1-800-227-6433.





FOR FURTHER TROUBLESHOOTING AND REPAIR


We offer several options to help you troubleshoot and/or repair your product. Please read through the options listed below.

 **Buy Parts Online**
You can buy parts online directly from our website at minnkotamotors.com. From screws to sideplates, you can order replacement parts for your Minn Kota products.

 **Frequently Asked Questions**
Find answers to general inquiries, battery and rigging installation, and networking scenarios. We have FAQs available on our website at minnkotamotors.com to help answer all of your Minn Kota questions.

 **Call Us (for U.S. and Canada)**
Our consumer service representatives are available Monday – Friday between 7:00 a.m. – 4:30 p.m. CST at 800-227-6433. If you are calling to order parts, please have the 11-character serial number from your product, specific part numbers, and credit card information available. This will help expedite your call and allow us to provide you with the best consumer service possible. You can reference the parts list located in your manual to identify the specific part numbers.

 **Contact Us**
You can contact our consumer service department with questions regarding your Minn Kota products. To inquire, visit minnkotamotors.com.

 **Authorized Service Centers**
Minn Kota has over 800 authorized service centers in the United States and Canada where you can purchase parts or get your products repaired. Please visit our website to locate a service center in your area.



Scan to visit Minn Kota service online.

COMPLIANCE STATEMENTS

ENVIRONMENTAL COMPLIANCE STATEMENT

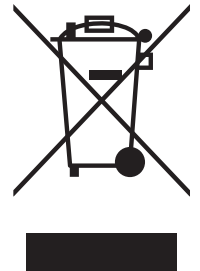
It is the intention of JOME to be a responsible corporate citizen, operating in compliance with known and applicable environmental regulations, and a good neighbor in the communities where we make or sell our products.

WEEE DIRECTIVE

EU Directive 2002/96/EC “Waste of Electrical and Electronic Equipment Directive (WEEE)” impacts most distributors, sellers, and manufacturers of consumer electronics in the European Union. The WEEE Directive requires the producer of consumer electronics to take responsibility for the management of waste from their products to achieve environmentally responsible disposal during the product life cycle.

WEEE compliance may not be required in your location for electrical & electronic equipment (EEE), nor may it be required for EEE designed and intended as fixed or temporary installation in transportation vehicles such as automobiles, aircraft, and boats. In some European Union member states, these vehicles are considered outside of the scope of the Directive, and EEE for those applications can be considered excluded from the WEEE Directive requirement.

This symbol (WEEE wheelee bin) on product indicates the product must not be disposed of with other household refuse. It must be disposed of and collected for recycling and recovery of waste EEE. Johnson Outdoors Inc. will mark all EEE products in accordance with the WEEE Directive. It is our goal to comply in the collection, treatment, recovery, and environmentally sound disposal of those products; however, these requirements do vary within European Union member states. For more information about where you should dispose of your waste equipment for recycling and recovery and/or your European Union member state requirements, please contact your dealer or distributor from which your product was purchased.



DISPOSAL

Minn Kota motors are not subject to the disposal regulations EAG-VO (electric devices directive) that implements the WEEE directive. Nevertheless never dispose of your Minn Kota motor in a garbage bin but at the proper place of collection of your local town council.

Never dispose of battery in a garbage bin. Comply with the disposal directions of the manufacturer or his representative and dispose of them at the proper place of collection of your local town council.

REGULATORY COMPLIANCE INFORMATION

› i-Pilot Equipped Motors

For regulatory information on motors that come factory installed with i-Pilot, please refer to the i-Pilot Owner's Manual online at minnkotamotors.com.

› i-Pilot Link Equipped Motors

For regulatory information on motors that come factory installed with i-Pilot Link, please refer to the i-Pilot Link Owner's Manual online at minnkotamotors.com.



FCC COMPLIANCE

This device complies with Part 15 of the FCC rules. **Operation is subject to the following two conditions:**

1. This device may not cause harmful interference.
2. This device must accept any interference that may be received, including interference that may cause undesired operation.

Changes or modifications not expressly approved by Johnson Outdoors Marine Electronics, Inc. could void the user’s authority to operate this equipment.

NOTICE: This equipment has been tested and found to comply with the limits for a Class B digital device, pursuant to part 15 of the FCC Rules. These limits are designed to provide reasonable protection against harmful interference in a residential installation. This equipment generates, uses and can radiate radio frequency energy and, if not installed and used in accordance with the instructions, may cause harmful interference to radio communications. However, there is no guarantee that interference will not occur in a particular installation. **If this equipment does cause harmful interference to radio or television reception, which can be determined by turning the equipment off and on, the user is encouraged to try to correct the interference by one or more of the following measures:**

- Reorient or relocate the receiving antenna.
- Increase the separation between the equipment and receiver.
- Connect the equipment into an outlet on a circuit different from that to which the receiver is connected.
- Consult the dealer or an experienced radio/TV technician for help.

INDUSTRY CANADA COMPLIANCE

This product meets the applicable Industry Canada technical specifications. Operation is subject to the following two conditions: (1) this device may not cause interference, and (2) this device must accept any interference, including interference that may cause undesired operation of the device.

Changes or modifications not expressly approved by Johnson Outdoors Marine Electronics, Inc. could void the user’s authority to operate this equipment.

ENVIRONMENTAL RATINGS

Ambient operating temperature range: -10C to 50C

Ambient operating humidity range: 5% to 95%

Maximum operating altitude: 10,000 feet



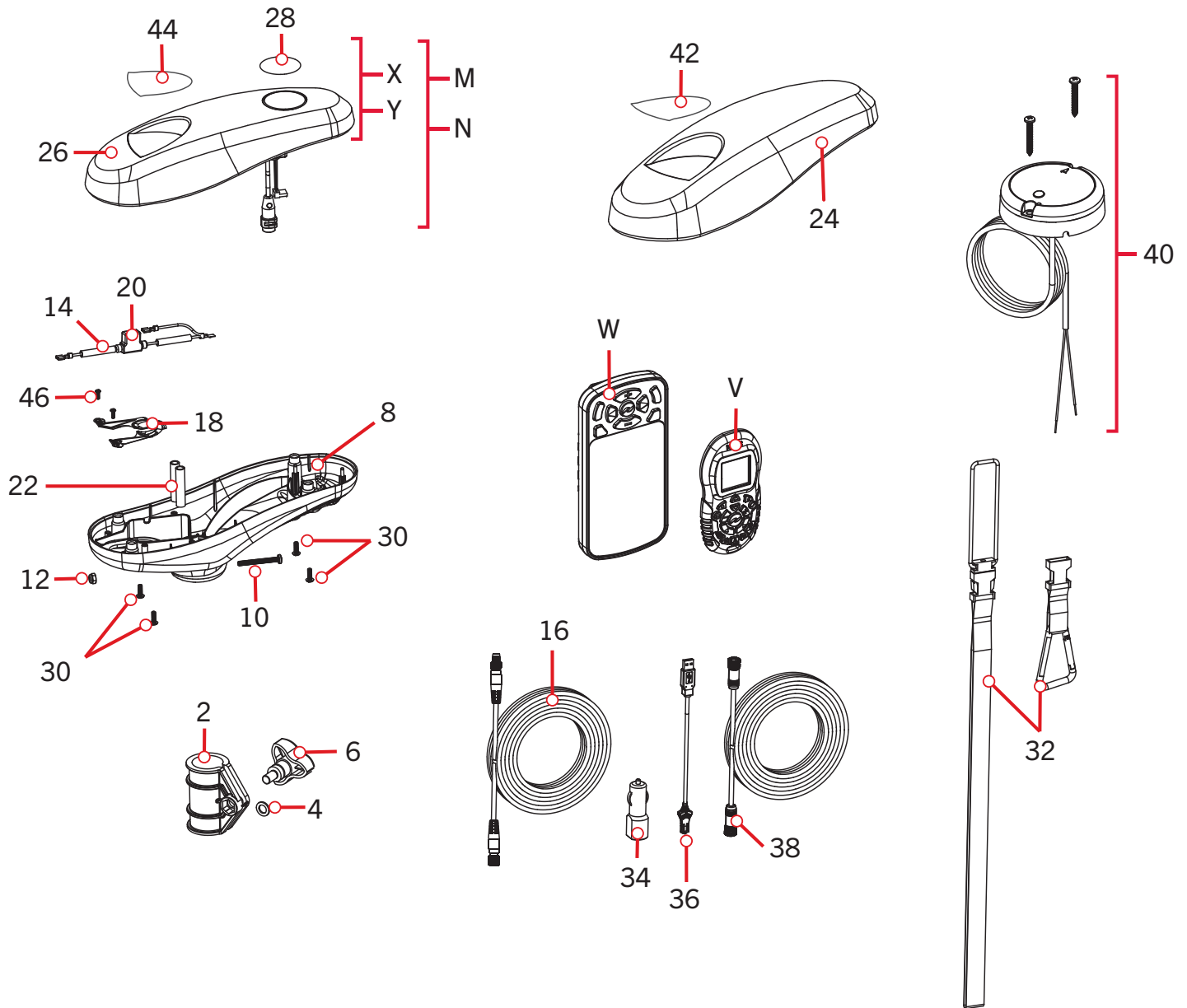
PARTS DIAGRAM & PARTS LIST

TERROVA - 55/80/112 LBS THRUST - 12/24/36 VOLT - 45"/54"/60"/72" SHAFT

The parts diagram and parts list provides Minn Kota® WEEE compliance disassembly instructions. For more information about where you should dispose of your waste equipment for recycling and recovery and/or your European Union member state requirements, please contact your dealer or distributor from which your product was purchased. Tools required, but not limited to: flat head screwdriver, Phillips screwdriver, socket set, pliers, wire cutters.

TERROVA CONTROL HEAD >

> Control Head Parts Diagram



PARTS DIAGRAM & PARTS LIST

Control Head Parts List

Assembly	Part #	Description	Notes	Quantity
M	2774176 ◆	MOTOR KIT, iPLT 1.6 TRV,UTX	*i-PILOT RECEIVER*	1
N	2774177 ●	MOTOR KIT, iPLT 3.0 TRV,UTX	*i-PILOT LINK RECEIVER*	1
V	2994075 ◆	REMOTE ASSY, iPILOT 1.6		1
W	2994076 ●	REMOTE ASSY, iPILOT LINK	*i-PILOT LINK ONLY*	1
X	2770233 ◆	COVER KIT, iPLT 1.6 TRV, ULTREX	*i-PILOT* *COVER & DECALS ONLY*	1
Y	2770234 ●	COVER KIT, iPLT 3.0 TRV, ULTREX	*i-PILOT LINK* *COVER & DECALS ONLY*	1
Item	Part #	Description	Notes	Quantity
▲	✖	SEAL,BUNG LOWER		1
▲	✖	SEAL,BUNG UPPER,FW		1
2	2321505	DEPTH COLLAR, LIFT ASSIST		1
4	2321702	WASHER-FLAT .375 NYLON		1
6	2260905	KNOB-SOFT GRIP,HG/DR,ZNC		1
8	2292500	CONTROL BOX, ULTREX		1
10	2332102	SCREW-#10-24 X 1-3/4 PPH SS		1
12	2333101	NUT-HEX #10-24 UNC-2B NYL SS		1
14	2065400	WIRE INSULATOR-LGE 1-3/4, BLUE		2
16	2211415 +	CABLE-EXTENSION, 110"	*US2*	1
	490507-1 →	CABLE, ADP-INT MDI 14 M12-120"		1
▲	2256300	TIE WRAP-5.5" BLACK		2
18	2224706	INSERT-PLUG		1
▲	9950433	TIE WRAP-4" BLACK		2
20	2218201	FUSE HOLDER ASSEMBLY		1
22	2375400	SHRINK TUBE-1/4OD X 1-3/4		2
24	2290217	COVER,CTRL BOX		1
26	✖	CVR, CTRL BX IP		1
28	2395545 ◆	DECAL, DOMED, iPILOT FW		1
	2395547 ●	DECAL, DOMED, iPILOT LINK FW		1
30	2372100	SCREW-#8-18 X 5/8 THD (SS)		4
32	2390800 ◆●	LANYARD, REMOTE W/ CARABINER		1
34	2375901 ●	ADAPTER, USB DC POWER	*LINK ONLY*	1
36	2373241 ●	CABLE, USB REMOTE CHARGER	*LINK ONLY*	1
38	490389-1 ●	CABLE, ETHERNET, 30'	*LINK ONLY*	1
40	2996400	HEADING SENSOR ASSEMBLY	*SELECT MODELS ONLY*	1
▲	2397106 ◆	QUICK - QUICK REF, iPILOT 1.6		1
▲	2397107 ●	QUICK - QUICK REF, iPILOT 3.0		1

▲ Not shown on Parts Diagram.

✖ This part is included in an assembly and cannot be ordered individually.

◆ Only available with models factory installed with i-Pilot.

● Only available with models factory installed with i-Pilot Link.

+ Only available with models factory installed with Universal Sonar.

→ Only available with models factory installed with Built-in MEGA Down Imaging.

PARTS DIAGRAM & PARTS LIST



Item	Part #	Description	Notes	Quantity
42	2325631	DECAL, COVER, TERROVA 55	*55LB THRUST*	1
	2325632	DECAL, COVER, TERROVA 80	*80LB THRUST*	1
44	2395550	DECAL, PUSH BTN TOP, T2/iP 55	*55LB THRUST*	1
	2395554	DECAL, PUSH BTN TOP, T2/iP 80	*80LB THRUST*	1
	2325634	DECAL, PUSH BTN TOP, TRV/iP 112	*112LB THRUST*	1
46	2372103	SCREW. #6 x 3/8 PLASTITE		2
▲	2327130	MANUAL TERROVA BT FW		1
▲	2397100	MANUAL, iPILOT 1.6		1
▲	2327133	INSTALLATION INSTRUCTIONS TERROVA FW BT		1
▲	2397102	MANUAL, iPILOT LINK 3.0		1
▲	2297165	MANUAL - DISCLAIMER, DOWNLOAD INFO		1
▲	2394900	INSTRUCTION HEADING SENSOR	*SELECT MODELS ONLY*	1
▲	2215700	LABEL, DI CABLE EXIT LOCATION		1

▲ Not shown on Parts Diagram.

✘ This part is included in an assembly and cannot be ordered individually.

◆ Only available with models factory installed with i-Pilot.

● Only available with models factory installed with i-Pilot Link.

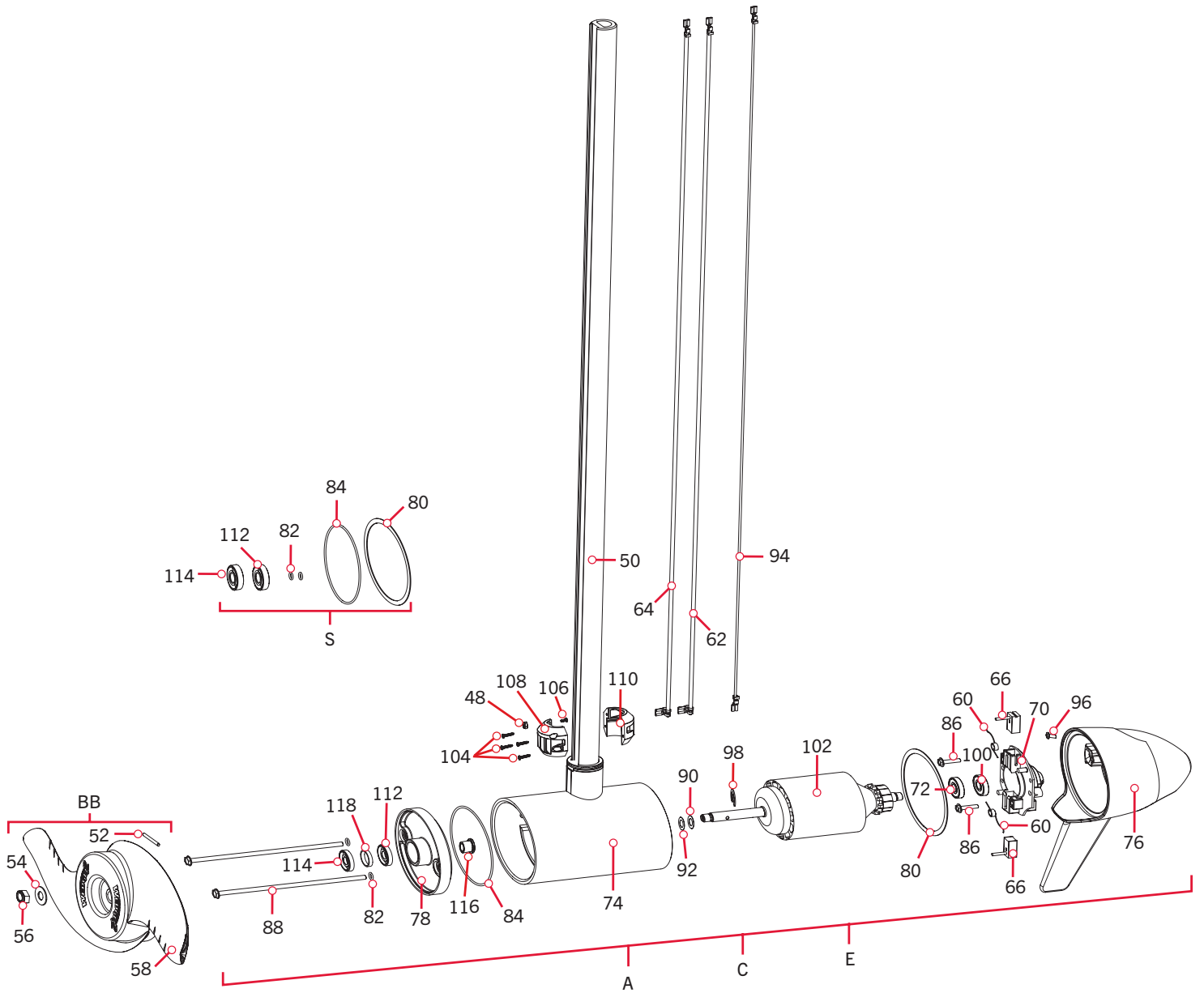
✚ Only available with models factory installed with Universal Sonar.

➔ Only available with models factory installed with Built-in MEGA Down Imaging.



TERROVA MOTOR >

> 12 Volt 3.625" Motor Parts Diagram



PARTS DIAGRAM & PARTS LIST

12 Volt 3.625" Motor Parts List

Assembly	Part #	Description	Notes	Quantity
A	2779032 +	MTR/TUBE ASM 55# 45" TRV/US2 BT	*45" *3.625" *UNIVERSAL SONAR*	1
C	2779024	MTR/TUBE ASM 55# 54" TRV BT	*54" *3.625"	1
E	2779033 +	MTR/TUBE ASM 55# 54" TRV/US2 BT	*54" *3.625" *UNIVERSAL SONAR*	1
BB	1378131	PROP IND 2091160 WDLS WDG II	*55LB THRUST* *3.625"	1
S	2888460	SEAL & O-RING KIT	*55LB THRUST* *3.625"	1
Item	Part #	Description	Notes	Quantity
48	2323110	NUT-HEX, 6-32 NYLOK SS		1
50	✘	TUBE-COMP,BLK,45",1/4" WALL,T2	*45"	1
	✘	TUBE-COMP,BLK,54",1/4" WALL,T2	*54"	1
52	2092600	PIN-DRIVE 1.06" LG (SS)	*55LB THRUST* *3.625"	1
54	2151726	WASHER-5/16 STD (S/S)	*55LB THRUST* *3.625"	1
56	2053101	NUT-PROP,NYLOC (MED) 5/16 SS	*55LB THRUST* *3.625"	1
58	2091161	PROP-WW2 3 5/8" MACHINED	*55LB THRUST* *3.625"	1
60	975-040	SPRING - TORSION	*55LB THRUST* *3.625"	2
62	640-006	LEADWIRE BLK 10 AWG 61 3/4" GPT	*45"	1
	640-023	LEADWIRE BLK 10 AWG 69" GPT	*3.625" *55LB THRUST* *54"	1
64	640-151	LEADWIRE RED 10 AWG 70.375 GPT	*3.625" *55LB THRUST* *54"	1
	640-115	LEADWIRE RED 10 AWG 61 3/4" GPT	*45"	1
66	188-036	BRUSH ASSEMBLY	*55LB THRUST* *3.625"	2
70	2-600-217	BRUSH PLATE ASSEMBLY	*54"	1
	2-600-018	BRUSH PLATE ASSEMBLY	*45"	1
72	725-050	PAPER TUBE - BRUSH RETENTION	*55LB THRUST* *3.625"	1
74	✘	CTR HSG ASY 3.62 FW-MAGNET CB	*55LB THRUST* *3.625"	1
76	421-050	HSG BRSH END FW CB	*55LB THRUST* *3.625" *NON US2*	1
	✘ +	HSG BRSH END FW CB	*55LB THRUST* *3.625" *US2*	1
78	2-400-101A	PLAIN END HSG ASY	*55LB THRUST* *3.625"	1
80	337-036	GASKET	*55LB THRUST* *3.625"	1
82	701-008	O-RING	*55LB THRUST* *3.625"	2
84	701-081	O-RING	*55LB THRUST* *3.625"	1
86	830-007	SCREW, # 8-32	*55LB THRUST* *3.625"	2
88	830-008	THRU BOLT 10-32 x 9.205	*55LB THRUST* *3.625"	2
90	990-067	WASHER - STEEL THRUST	*55LB THRUST* *3.625"	1
92	990-070	WASHER - NYLATRON	*55LB THRUST* *3.625"	1
94	640-316	LEADWIRE BROWN 18 AWG 71" GPT	*55LB THRUST* *3.625" *54"	1
	640-315	LEADWIRE BROWN 18 AWG 62" GPT	*55LB THRUST* *3.625" *45"	1
96	2302102 +	SCREW-#6-20 X 1/2 THD CUTS		1

▲ Not shown on Parts Diagram.

✘ This part is included in an assembly and cannot be ordered individually.

◆ Only available with models factory installed with i-Pilot.

● Only available with models factory installed with i-Pilot Link.

+ Only available with models factory installed with Universal Sonar.

➔ Only available with models factory installed with Built-in MEGA Down Imaging.

PARTS DIAGRAM & PARTS LIST



Item	Part #	Description	Notes	Quantity
98	788-015	RETAINING RING	*3.625*	1
100	140-010	BREARING		1
102	2-100-146	ARM ASY 12V 3.62 55#CB/LS	*55LB THRUST* *3.625*	1
104	3393450	SCREW-#6-19 X.75 PPH HI-LOW SS		4
106	2323429	SCREW #6-32 X .50" SS BHCS		1
108	2321523	COLLAR-FRONT, LIFT ASSIST, FW		1
110	2321527	COLLAR-BACK, LIFT ASSIST, FW		1
112	880-003	SEAL		1
114	880-006	SEAL WITH SHIELD		1
▲	✘ +	TRANSDUCER ASSY 73" GEN2.5 W/T 54"		1
▲	✘ +	TRANSDUCER ASSY 67" GEN2.5 W/T		1
116	144-049	BEARING - FLANGE		1
118	725-035	PAPER TUBE - SEAL BORE		1

▲ Not shown on Parts Diagram.

✘ This part is included in an assembly and cannot be ordered individually.

◆ Only available with models factory installed with i-Pilot.

● Only available with models factory installed with i-Pilot Link.

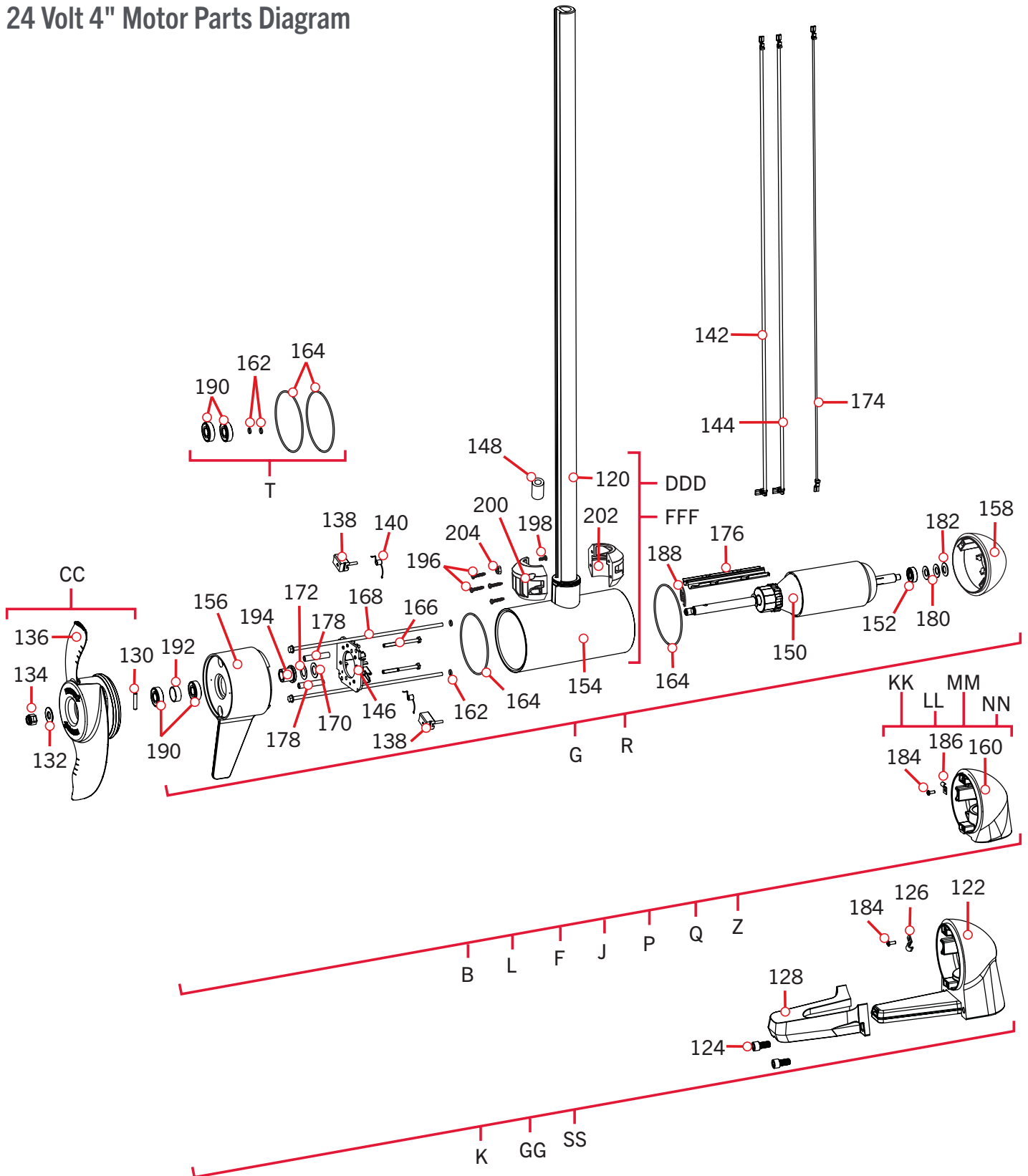
+ Only available with models factory installed with Universal Sonar.

➔ Only available with models factory installed with Built-in MEGA Down Imaging.



PARTS DIAGRAM & PARTS LIST

24 Volt 4" Motor Parts Diagram



PARTS DIAGRAM & PARTS LIST

▶ 24 Volt 4" Motor Parts List

Assembly	Part #	Description	Notes	Quantity
B	2777018	MTR/TUBE ASM 80# 45" TRV/US2 BT	*45* *4.0* *UNIVERSAL SONAR*	1
F	2777038	MTR/TUBE ASM 80# 54" TRV/US2 BT	*54* *4.0* *UNIVERSAL SONAR*	1
G	2777006	MTR/TUBE ASM 80# 60" TRV BT	*60* *4.0*	1
J	2777012	MTR/TUBE ASM 80# 60" TRV/US2 BT	*60* *4.0* *UNIVERSAL SONAR*	1
L	2777041	MTR/TUBE ASM 80# 72" TRV/US2 BT	*72* *4.0* *UNIVERSAL SONAR*	1
P	2777019	MTR/TUBE 80# 45" TRV/US2-M BT	*45* *4.0* *UNIVERSAL SONAR* *EUROPE ONLY*	1
Q	2777039	MTR/TUBE 80# 54" TRV/US2-M BT	*54* *4.0* *UNIVERSAL SONAR* *EUROPE ONLY*	1
R	2777007	MTR/TUBE ASM 80# 60" TRV-M BT	*60* *4.0* *EUROPE ONLY*	1
Z	2777014	MTR/TUBE 80# 60" TRV/US2-M BT	*60* *4.0* *UNIVERSAL SONAR* *EUROPE ONLY*	1
DDD	2777196	CTR HSG, CB, 80#, FW, UP TO 60"	*TUBE*	1
FFF	2777197	CTR HSG, CB, 80#, FW, 72" TUBE	*TUBE*	1
CC	1378132	PROP IND 2331160 WDL5 WDG II	*80LB THRUST* *4*	1
T	2889460	SEAL & O-RING KIT	*80LB THRUST* *4*	1
KK	9421-290	PLN END HSG/TRANDUCER ASY 4.0	*80LB THRUST* *60"* *TRANSDUCER* *UNIVERSAL SONAR*	1
LL	9421-287	PLN END HSG/TRANDUCER ASY 4.0	*80LB THRUST* *45"* *TRANSDUCER* *UNIVERSAL SONAR*	1
MM	9421-288	PLN END HSG/TRANDUCER ASY 4.0	*80LB THRUST* *54"* *TRANSDUCER* *UNIVERSAL SONAR*	1
NN	9421-291	PLN END HSG/TRANDUCER ASY 4.0	*80LB THRUST* *72"* *TRANSDUCER* *UNIVERSAL SONAR*	1
K	2777134	MTR/TUBE ASM 80# 72" TRV/MDI BT	*80LB THRUST* *72"* *BUILT-IN MEGA DOWN IMAGING*	1
GG	2777130	MTR/TUBE ASM 80# 45" TRV/MDI BT	*80LB THRUST* *45"* *BUILT-IN MEGA DOWN IMAGING*	1
SS	2777132	MTR/TUBE ASM 80# 60" TRV/MDI BT	*80LB THRUST* *60"* *BUILT-IN MEGA DOWN IMAGING*	1
Item	Part #	Description	Notes	Quantity
120	✘	TUBE-CMP,BLK,45",1/4" WLL		1
	✘	TUBE-CMP,BLK,45",1/4",MDI		1
	✘	TUBE-CMP,BLK,60",1/4" WLL		1
	✘	TUBE-CMP,BLK,54",1/4" WLL		1
	✘	TUBE-CMP,BLK,72",1/4" WLL		1
	✘	TUBE-CMP,BLK,45",1/4", "M"		1
	✘	TUBE-CMP,BLK,60",1/4",MDI		1
	✘	TUBE-CMP,BLK,60",1/4", "M"		1
122	✘	PLAIN END HOUSING, PNT 4.0 DI	*BUILT-IN MEGA DOWN IMAGING*	1
124	830-110	SCREW-5-16-18 X 5/8 SHCS SS	*BUILT-IN MEGA DOWN IMAGING*	2
126	230-039	CABLE CLAMP, 1/4" STEEL	*UNIVERSAL SONAR*	1
128	792-001	GUARD, TRANSDUCER, PNT 4.0 DI	*BUILT-IN MEGA DOWN IMAGING*	1
130	2262658	PIN-DRIVE 1" X 3/16" S/S	*80LB THRUST* *4* *112LB THRUST* *4.5*	1
132	2091701	WASHER-PROP (LARGE)	*80LB THRUST* *4* *112LB THRUST* *4.5*	1
134	2093101	NUT-PROP,NYLOC,LG, 3/8 SS	*80LB THRUST* *4* *112LB THRUST* *4.5*	1

▲ Not shown on Parts Diagram.

✘ This part is included in an assembly and cannot be ordered individually.

◆ Only available with models factory installed with i-Pilot.

● Only available with models factory installed with i-Pilot Link.

✚ Only available with models factory installed with Universal Sonar.

➔ Only available with models factory installed with Built-in MEGA Down Imaging.

PARTS DIAGRAM & PARTS LIST



Item	Part #	Description	Notes	Quantity
136	2331160	PROP-WW2 (4") w/ADP.RING	*80LB THRUST* *4.0*	1
138	188-094	BRUSH W/TERMINAL	*80LB THRUST* *4.0*	2
140	975-041	SPRING - TORSION	*80LB THRUST* *4.0*	2
142	640-016	LEADWIRE BLK 10 AWG 56 1/2 XLP		1
	640-053	LEADWIRE BLK 10 AWG 82.375 XLP	*80LB THRUST* *4.0*	1
	640-052	LEADWIRE BLK 10 AWG 70.125 XLP	*80LB THRUST* *4.0*	1
	640-022	LEADWIRE BLK 10 AWG 72.5 XLP	*80LB THRUST* *4.0*	1
144	640-148	LEADWIRE RED 10 AWG 83" GPT	*80LB THRUST* *4.0*	1
	640-152	LEADWIRE RED 10 AWG 69.625 XLP	*80LB THRUST* *4.0*	1
	640-118	LEADWIRE RED 10 AWG 56 XLP	*80LB THRUST* *4.0*	1
	640-126	LEADWIRE RED 10 AWG 71" XLP	*80LB THRUST* *4.0*	1
▲	✘	BRUSH HOLDER	*80LB THRUST* *4.0*	2
146	9-738-015	BRUSH PLATE 4" TERMINAL	*80LB THRUST* *4.0*	1
	2-600-176	BRUSH PLATE ASM 4" ELEC. CB		1
	2-600-155	BRUSH PLATE ASM 4" ELEC.66" CB		1
	2-600-196	BRUSH PLATE ASSEMBLY 4"		1
	2-600-195	BRUSH PLATE ASSEMBLY 4"		1
▲	2260730	CONNECTOR 1/4 MALE TAB QD	*80LB THRUST* *4.0*	2
148	✘	BEAD-FERRITE		1
150	2-100-214	ARM ASSY 24V 4" 80# (WW2)	*80LB THRUST* *4.0*	1
152	140-010	BEARING - BALL	*55LB THRUST* *3.625* *80LB THRUST* *4.0*	1
154	✘	CTR HSG ASY 4.0 FW MGNTZ	*80LB THRUST* *4.0*	1
156	2-300-170	BRUSH END HSG ASY 4.0 FW	*80LB THRUST* *4.0*	1
	420-070	HSG BRSH END 4.0 FW CB (SUB)		1
	421-070	HSG BRSH END 4.0 FW CB		1
158	421-276	HSG PLN END 4" PAINTED FW BS	*80LB THRUST* *4.0* *NON US2* *NON MDI*	1
160	✘	PLAIN END HSG-PNTD-4"US2.5 CB	*80LB THRUST* *4.0* *UNIVERSAL SONAR*	1
162	701-009	O-RING	*80LB THRUST* *4.0*	2
164	701-043	O-RING	*80LB THRUST* *4.0*	2
166	830-027	SCREW - SELF-THREAD 10-32X2.25	*80LB THRUST* *4.0*	2
168	830-095	THRU BOLT 12-24 x 9.79	*80LB THRUST* *4.0*	2
170	990-051	WASHER - STEEL THRUST	*80LB THRUST* *4.0* *112LB THRUST* *4.5*	1
172	990-052	WASHER - NYLATRON	*80LB THRUST* *4.0* *112LB THRUST* *4.5*	1
174	640-316	LEADWIRE BROWN 18 AWG 71" GPT	*55LB THRUST* *3.625* *80LB THRUST* *4.0* *112LB THRUST* *4.5*	1
	640-315	LEADWIRE BROWN 18 AWG 62" GPT	*80LB THRUST* *4.0*	1
	640-317	LEADWIRE BROWN 18 AWG 86" GPT	*80LB THRUST* *4.0* *112LB THRUST* *4.5*	1
176	582-013	CLIP, RETAINING SHORT	*80LB THRUST* *4.0*	1
178	973-025	SPACER - BRUSHPLATE	*80LB THRUST* *4.0*	2

▲ Not shown on Parts Diagram.

✘ This part is included in an assembly and cannot be ordered individually.

◆ Only available with models factory installed with i-Pilot.

● Only available with models factory installed with i-Pilot Link.

✚ Only available with models factory installed with Universal Sonar.

➔ Only available with models factory installed with Built-in MEGA Down Imaging.



PARTS DIAGRAM & PARTS LIST



Item	Part #	Description	Notes	Quantity
180	992-010	WASHER - BELLEVILLE	*80LB THRUST* *4.0*	2
182	990-045	SPACER - THRUST	*80LB THRUST* *4.0*	1
184	2302104	SCREW-#6-20 X 3/8 THD CUTS	*80LB THRUST* *4.0* *112LB THRUST* *4.5*	1
186	230-038	CABLE CLAMP	*80LB THRUST* *4.0* *112LB THRUST* *4.5* *UNIVERSAL SONAR*	1
188	788-040	RETAINING RING		1
190	880-025	SEAL		2
192	725-095	PAPER TUBE, SEAL		1
	725-035	PAPER TUBE, SEAL		1
194	144-017	BEARING, FLANGE		1
▲	✘	RIVET - .25"	*4* *80LB THRUST* *4.5* *112LB THRUST*	6
196	3393450	SCREW-#6-19 X.75 PPH HI-LOW SS		4
198	2323429	SCREW #6-32 X .50" SS BHCS		1
200	2321523	COLLAR-FRONT, LIFT ASSIST, FW		1
202	2321527	COLLAR-BACK, LIFT ASSIST, FW		1
204	2323110	NUT-HEX, 6-32 NYLOK SS		1

▲ Not shown on Parts Diagram.

✘ This part is included in an assembly and cannot be ordered individually.

◆ Only available with models factory installed with i-Pilot.

● Only available with models factory installed with i-Pilot Link.

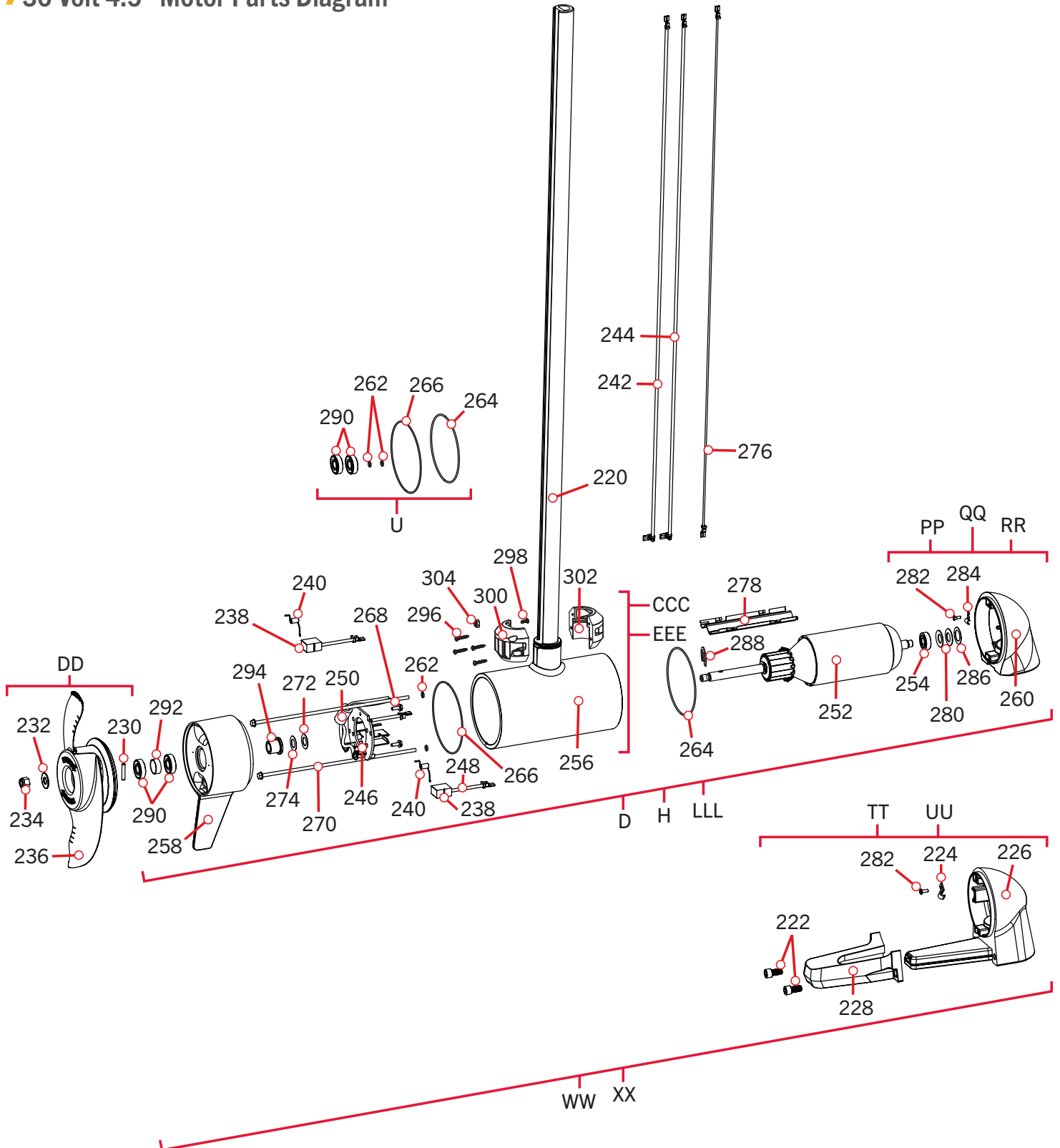
✚ Only available with models factory installed with Universal Sonar.

➔ Only available with models factory installed with Built-in MEGA Down Imaging.



PARTS DIAGRAM & PARTS LIST

36 Volt 4.5" Motor Parts Diagram



PARTS DIAGRAM & PARTS LIST

36 Volt 4.5" Motor Parts List

Assembly	Part #	Description	Notes	Quantity
D	2777090	MTR/TUBE 112# 54" TRV/US2 BT	*54* *4.5* *UNIVERSAL SONAR*	1
H	2777078	MTR/TUBE 112# 60" TRV/US2 BT	*60* *4.5* *UNIVERSAL SONAR*	1
LLL	2777079	MTR/TUBE 112# 72" TRV/US2 BT	*72* *4.5* *UNIVERSAL SONAR*	1
CCC	2777241	CTR HSG, CB, 112#, FW, UP TO 60"	*TUBE* *NON UNIVERSAL SONAR* *NON MDI*	1
EEE	2777242	CTR HSG, CB, 112#, FW, 72" TUBE	*TUBE* *NON UNIVERSAL SONAR* *NON MDI*	1
DD	1378160	PROP KIT 2341160 112# WW2	*112LB THRUST* *4.5*	1
U	2881450	SEAL & O-RING KIT	*112LB THRUST* *4.5*	1
PP	9421-246	PLN END HSG/TRANDUCER ASY 4.5	*112LB THRUST* *60"* *TRANSDUCER* *UNIVERSAL SONAR*	1
QQ	9421-245	PLN END HSG/TRANDUCER ASY 4.5	*112LB THRUST* *54"* *TRANSDUCER* *UNIVERSAL SONAR*	1
RR	9421-247	PLN END HSG/TRANDUCER ASY 4.5	*112LB THRUST* *72"* *TRANSDUCER* *UNIVERSAL SONAR*	1
TT	2773005	PLN END HSG/TRNDCR 4.5 MDI	*112 LB THRUST* *72"* *TRANSDUCER* *BUILT-IN MEGA DOWN IMAGING*	1
UU	2773006	PLN END HSG/TRNDCR 4.5 MDI	*112 LB THRUST* *60"* *TRANSDUCER* *BUILT-IN MEGA DOWN IMAGING*	1
WW	2777152	MTR/TUBE ASM 112#60"TRV/MDI BT	*60"* *BUILT-IN MEGA DOWN IMAGING*	1
XX	2777154	MTR/TUBE ASM 112#72"TRV/MDI BT	*72"* *BUILT-IN MEGA DOWN IMAGING*	1
Item	Part #	Description	Notes	Quantity
220	✘	TUBE-CMP,BLK,45",1/4" WLL		1
	✘	TUBE-CMP,BLK,45",1/4",MDI		1
	✘	TUBE-CMP,BLK,60",1/4" WLL		1
	✘	TUBE-CMP,BLK,54",1/4" WLL		1
	✘	TUBE-CMP,BLK,72",1/4" WLL		1
	✘	TUBE-CMP,BLK,45",1/4", "M"		1
	✘	TUBE-CMP,BLK,60",1/4",MDI		1
	✘	TUBE-CMP,BLK,60",1/4", "M"		1
222	830-110	SCREW-5-16-18 X 5/8 SHCS SS	*BUILT-IN MEGA DOWN IMAGING*	2
224	230-039	CABLE CLAMP, 1/4" STEEL	*BUILT-IN MEGA DOWN IMAGING*	1
226	✘	PLAIN END HOUSING, PNT 4.5 DI	*BUILT-IN MEGA DOWN IMAGING*	1
228	792-005	GUARD, TRANSDUCER, PNT 4.5 DI	*BUILT-IN MEGA DOWN IMAGING*	1
230	2262658	PIN-DRIVE 1" X 3/16" S/S	*80LB THRUST* *4* *112LB THRUST* *4.5*	1
232	2091701	WASHER-PROP (LARGE)	*80LB THRUST* *4* *112LB THRUST* *4.5*	1
234	2093101	NUT-PROP,NYLOC,LG, 3/8 SS	*80LB THRUST* *4* *112LB THRUST* *4.5*	1
236	2341160	PROP-WW2 (4.5) w/ADP.RING	*112LB THRUST* *4.5*	1
238	188-095	BRUSH	*112LB THRUST* *4.5*	2
240	975-045	SPRING - TORSION	*112LB THRUST* *4.5*	2
242	640-021	LEADWIRE BLK 10 AWG 69.5 XLP	*112 LB THRUST* *54"*	1
	640-049	LEADWIRE BLK 10 AWG 88.50 GPT	*4.5* *112LB THRUST* *72"*	1
	640-045	LEADWIRE BLK 10 AWG 76.5" GPT	*4.5* *112LB THRUST* *60"*	1

▲ Not shown on Parts Diagram.

✘ This part is included in an assembly and cannot be ordered individually.

◆ Only available with models factory installed with i-Pilot.

● Only available with models factory installed with i-Pilot Link.

✚ Only available with models factory installed with Universal Sonar.

➔ Only available with models factory installed with Built-in MEGA Down Imaging.

PARTS DIAGRAM & PARTS LIST



Item	Part #	Description	Notes	Quantity
244	640-149	LEADWIRE RED 10 AWG 88 GPT	*4.5* *112LB THRUST* *72**	1
	640-143	LEADWIRE RED 10 AWG 68 1/2" GPT	*112LB THRUST* *54**	1
	640-145	LEADWIRE RED 10 AWG 75 7/8" GPT	*112LB THRUST* *60**	1
▲	✘	BRUSH HOLDER	*112LB THRUST* *4.5*	2
246	9-738-011	BRUSH PLATE	*112LB THRUST* *4.5*	1
	2-600-244	BRUSH PLATE ASM 4.5" HAND 62"	*112LB THRUST* *4.5*	1
	2-600-249	BRUSH PLATE ASM 4.5" 72"	*112LB THRUST* *4.5*	1
248	2260731	TERMINAL 1/4" MALE TAB-THREE	*112LB THRUST* *4.5*	2
250	2307312	BEAD-FERRITE		1
252	2-100-245	ARMATURE ASY 4.5"LWR UNIT	*112LB THRUST* *4.5*	1
254	140-014	BEARING-BALL 6000	*112LB THRUST* *4.5*	1
256	✘	CTR HSG ASY 4.5" MAG FW CB	*112LB THRUST* *4.5*	1
258	2-300-155	BRUSH END HSG ASY 4.5" FW	*112LB THRUST* *4.5*	1
260	✘	PLN END HSG 4.5" US2.5 PNT FW	*112LB THRUST* *4.5*	1
262	701-009	O-RING	*112LB THRUST* *4.5*	2
264	701-098	O-RING, 98MM X 2MM	*112LB THRUST* *4.5*	1
266	701-103	O-RING, 103MM X 3.00MM, 70 BUNA	*112LB THRUST* *4.5*	1
268	2053410	SCREW-#8-32 X 1/2 TRI-LOBE HEX	*112LB THRUST* *4.5*	2
270	830-094	THRU BOLT 12-24 X10.31	*80LB THRUST* *4.0* *112LB THRUST* *4.5*	2
272	990-051	WASHER - STEEL THRUST	*80LB THRUST* *4.0* *112LB THRUST* *4.5*	1
274	990-052	WASHER - NYLATRON	*80LB THRUST* *4.0* *112LB THRUST* *4.5*	1
276	640-316	LEADWIRE BROWN 18 AWG 71" GPT	*55LB THRUST* *3.625* *80LB THRUST* *4.0* *112LB THRUST* *4.5*	1
	640-315	LEADWIRE BROWN 18 AWG 62" GPT	*80LB THRUST* *4.0*	1
	640-317	LEADWIRE BROWN 18 AWG 86" GPT	*80LB THRUST* *4.0* *112LB THRUST* *4.5*	1
278	582-016	CLIP-RETAINING, SONAR	*112LB THRUST* *4.5*	1
280	992-011	WASHER - BELLEVILLE	*112LB THRUST* *4.5*	2
282	2302104	SCREW-#6-20 X 3/8 THD CUTS	*80LB THRUST* *4.0* *112LB THRUST* *4.5*	1
284	230-038	CABLE CLAMP	*80LB THRUST* *4.0* *112LB THRUST* *4.5* *UNIVERSAL SONAR*	1
286	990-011	WASHER-SHIM OD 1", ID.630"SS	*112LB THRUST* *4.5*	1
288	788-040	RETAINING RING		1
290	880-025	SEAL		2
▲	✘	RIVET - .25"	*4* *80LB THRUST* *4.5* *112LB THRUST*	6
292	725-035	PAPER TUBE, SEAL		1
294	144-017	BEARING, FLANGE		1
296	3393450	SCREW-#6-19 X.75 PPH HI-LOW SS		4
298	2323429	SCREW #6-32 X .50" SS BHCS		1
300	2321523	COLLAR-FRONT, LIFT ASSIST, FW		1
302	2321527	COLLAR-BACK, LIFT ASSIST, FW		1
304	2323110	NUT-HEX, 6-32 NYLON SS		1

▲ Not shown on Parts Diagram.

✘ This part is included in an assembly and cannot be ordered individually.

◆ Only available with models factory installed with i-Pilot.

● Only available with models factory installed with i-Pilot Link.

✚ Only available with models factory installed with Universal Sonar.

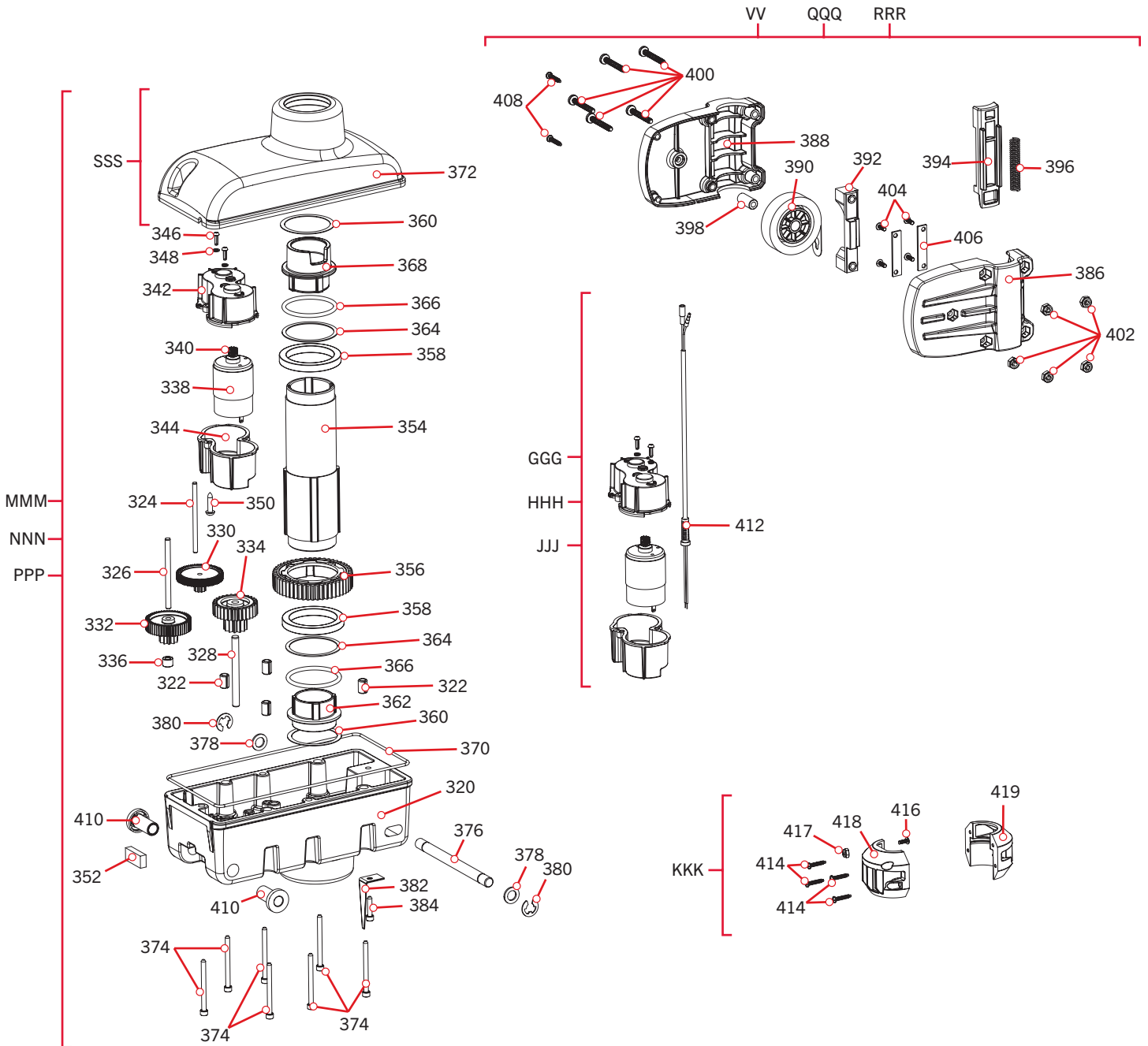
➔ Only available with models factory installed with Built-in MEGA Down Imaging.



PARTS DIAGRAM & PARTS LIST

TERROVA STEERING HOUSING

Steering Housing Parts Diagram



PARTS DIAGRAM & PARTS LIST



Steering Housing Parts List

Assembly	Part #	Description	Notes	Quantity
MMM	2997060	STEERING HSG ASM 12V FW		1
NNN	2997061	STEERING HSG ASM 24V FW		1
PPP	2997062	STEERING HSG ASM 36V FW		1
VV	2992727	LIFT ASSIST ASM 55# FW PA6		1
QQQ	2992728	LIFT ASSIST ASM 80# FW PA6		1
RRR	2992729	LIFT ASSIST ASM 112# FW PA6		1
SSS	2776561	STEERING HSG TOP FW/GEAR KIT		1
GGG	2777060	STEERING MOTOR KIT, 12V T2		1
HHH	2777061	STEERING MOTOR KIT, 24V T2		1
JJJ	2777062	STEERING MOTOR KIT, 36V FW T2		1
KKK	2771522	COLLAR-FRONT/BACK, LIFT KT		1
Item	Part #	Description	Notes	Quantity
320	2326566	HOUSING-STEERING, BTM, FW		1
322	✘	PIN-ROLL 5/16" X 1/2"		4
324	✘	SHAFT-GEAR, FIRST CLUSTER		1
326	✘	SHAFT-GEAR,INTERMED.CLUSTER		1
328	✘	SHAFT-GEAR, THIRD CLUSTER		1
330	2322210	GEAR & PINION, DR.HSG, STAGE 2		1
332	2302250	GEAR & PINION,DR. HSG, STAGE 3		1
334	2302255	GEAR & PINION,DR. HSG, STAGE 4		1
336	2321730	SPACER,GEAR CLUSTER		1
338	✘	MOTOR, STEERING 12V FW T2		1
	✘	MOTOR, STEERING 24V FW T2		1
	✘	MOTOR, STEERING 36V FW T2		1
340	2322215	GEAR-PINION, DR.HSG, STAGE 1		1
342	2322520	CASE-MOTOR,STRG HSG,TOP		1
344	2322525	CASE-MOTOR,STRG HSG,BTM		1
346	2053422	SCREW-X6 X /375 PLASTITE SS		2
348	2051710	SPLIT LOCK WASHER 3MM		2
350	2043412	SCREW-#8-18 X 3/4 TY AB SS PPH		1
352	2308601	BREATHER FILTER, DR.HOUSING		1
354	2322030	TUBE-OUTPUT, MACHINED		1
356	2322200	GEAR-OUTPUT		1
358	2327308	BEARING-BALL,SEALED		2
360	2321704	WASHER-THRUST, STEERING		2
362	2321510	COLLAR-DRIVE,BOTTOM		1

▲ Not shown on Parts Diagram.

✘ This part is included in an assembly and cannot be ordered individually.

◆ Only available with models factory installed with i-Pilot.

● Only available with models factory installed with i-Pilot Link.

✚ Only available with models factory installed with Universal Sonar.

➔ Only available with models factory installed with Built-in MEGA Down Imaging.



PARTS DIAGRAM & PARTS LIST



Item	Part #	Description	Notes	Quantity
364	2321720	SHIM,O-RING		2
366	2324608	O-RING,224, STR HSG		2
368	2321530	LINER OUTPUT TUBE,LFT AST		1
370	2324604	O-RING, CASE SEAL		1
372	✖	HOUSING-STEERING, TOP, FW		1
374	2323408	SCREW-#8-32 X 2.0 SHCS SS		7
376	2322600	PIN-LATCH, ZP		1
378	2321702	WASHER-FLAT .375 NYLON		2
380	2263011	E-RING 3/8 DIA. SHAFT*		2
382	2322702	SPRING, LATCH PIN SS		2
384	2323410	SCREW-#8-32 X .75 SHCS SS		1
386	2326547	HOUSING-RIGHT, LIFT ASSIST PA6		1
388	2326542	HOUSING-LEFT, LIFT ASSIST PA6		1
390	2997900	ASM-HUB/SPRING, 55# SS		1
	2997901	ASM-HUB/SPRING, 80# SS		1
	2997902	ASM-HUB/SPRING, 112# SS		1
392	2322300	GUIDE,DR.DOG, LIFT ASSIST		1
394	2328605	ENGAGEMENT DOG, LIFT ASST		1
396	2322726	SPRING,COMPRESSION,.360" OD SS		1
398	2322610	PIN-AXLE, LIFT ASSIST		1
400	2323430	SCREW-#10-24 X 1-3/8, PPH		5
402	2333101	NUT-HEX #10-24 UNC-2B NYL SS		5
404	2372103	SCREW-#6 X .375 PLASTITE SS		4
406	2321955	BRACKET, LIFT ASSIST		2
408	3393450	SCREW-#6-19 X .75 PPH HI-LO		2
410	2327310	BUSHING, PIVOT PIN		2
412	✖	LEADWIRE, STEERING MOTOR		1
414	3393450	SCREW-#6-19 X.75 PPH HI-LOW SS		4
416	2323429	SCREW #6-32 X .50" SS BHCS		1
417	2323110	NUT-HEX, 6-32 NYLOK SS		1
418	2321523	COLLAR-FRONT, LIFT ASSIST, FW		1
419	2321527	COLLAR-BACK, LIFT ASSIST, FW		1

▲ Not shown on Parts Diagram.

✖ This part is included in an assembly and cannot be ordered individually.

◆ Only available with models factory installed with i-Pilot.

● Only available with models factory installed with i-Pilot Link.

✚ Only available with models factory installed with Universal Sonar.

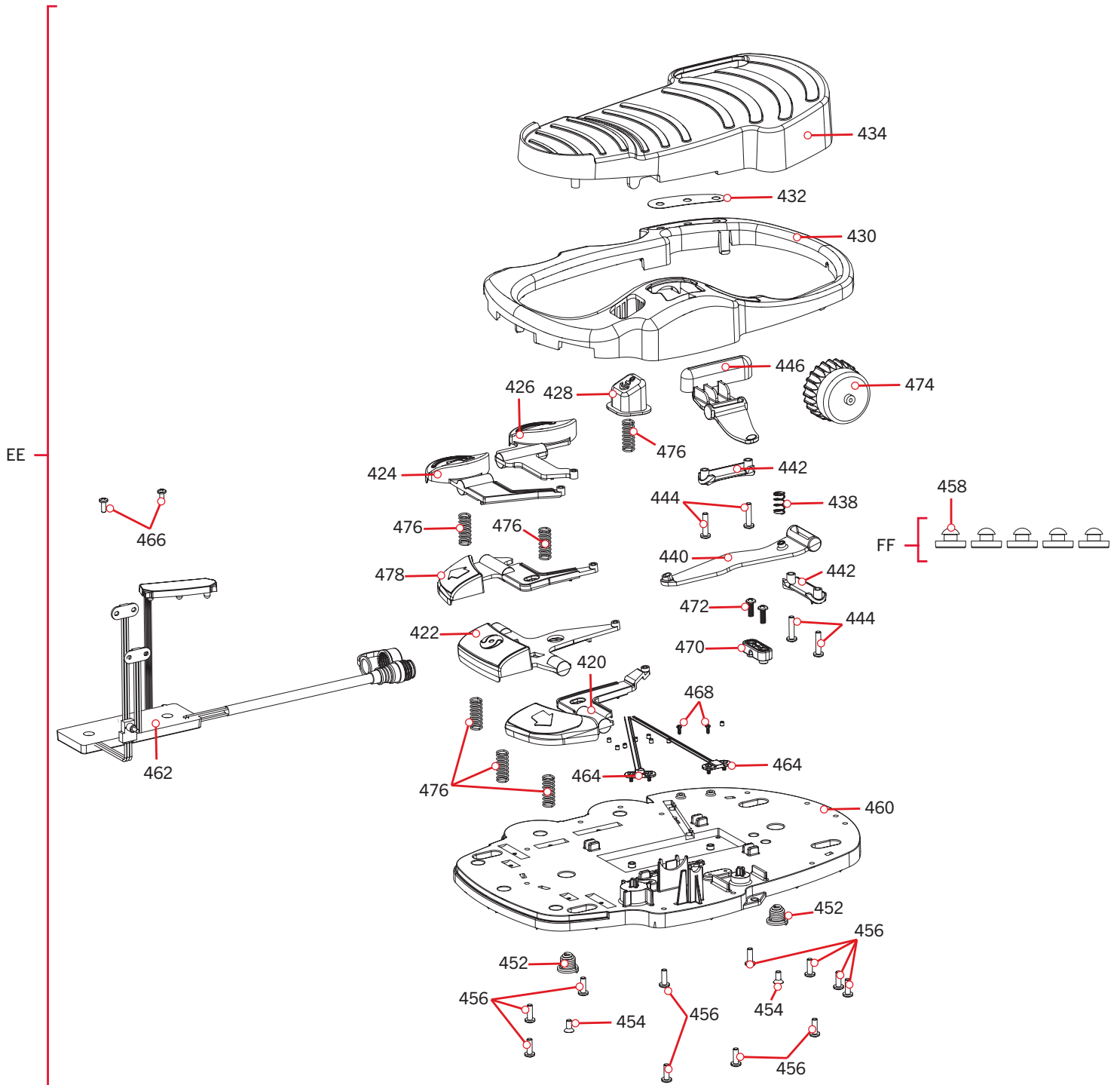
➔ Only available with models factory installed with Built-in MEGA Down Imaging.



PARTS DIAGRAM & PARTS LIST

TERROVA FOOT PEDAL >

> Foot Pedal Parts Diagram



PARTS DIAGRAM & PARTS LIST

Foot Pedal Parts List

Assembly	Part #	Description	Notes	Quantity
EE	2994722	FOOT PEDAL ASM, TRV BT		1
FF	2994859	BAG ASY-TERROVA/V2,RUB.BUMPERS		1
Item	Part #	Description	Notes	Quantity
420	2323731	BUTTON, RIGHT STEER, TERROVA		1
422	2323735	BUTTON, MOMENTARY, TERROVA		1
424	2323715	BUTTON,MOM/CON,FT PEDAL		1
426	2323725	BUTTON,AP,FT PEDAL		1
428	2203720	BUTTON, SPOT LOCK,ULTERRA/TRRV		1
430	2320206	COVER,HEEL TOE FT PED,TRV		1
432	2325655	DECAL, 3 INDICATORS, TERROVA		1
434	2324401	PEDAL,HEEL/TOE FOOT PEDAL		1
438	2322714	SPRING SS		1
440	2328600	FLEX FINGER, FOOT PEDAL		1
442	2321300	CLAMP, FT PEDAL		2
444	2223430	SCREW-#8x3/4 PPH,TYPE 25,SS		4
446	2323710	BUTTON,MOM,FT PEDAL		1
452	2322706	SPRING-BARREL SS		2
454	2323420	SCREW-#8-18 X 3/8" PFH SS TY B		2
456	2301310	SCREW-#8-18 X 1/2 (SS)*		11
458	2325110	PAD, FOOT PEDAL		5
460	2204500	BASE PLATE-ULTERRA / TERROVA		1
462	*	CONTROL BOARD ASSY, FOOT PEDAL, TERROVA		1
464	2373440	SCREW-#4-24 X 1/4 PHCR SS TY B		4
466	2332103	SCREW-#6-20 X 3/8 THD*(SS)		2
468	2302100	SCREW-#6-20 X 1/2 THD CUTS		2
470	2322900	STRAIN RELIEF, FOOT PEDAL		1
472	2372100	SCREW-#8-18 X 5/8 THD* (SS)		2
474	2320100	KNOB-SPEED, FOOT PEDAL		1
476	2322704	SPRING, LARGE SHORT SS		6
478	2323730	BUTTON, LEFT STEER, TERROVA		1

▲ Not shown on Parts Diagram.

* This part is included in an assembly and cannot be ordered individually.

◆ Only available with models factory installed with i-Pilot.

● Only available with models factory installed with i-Pilot Link.

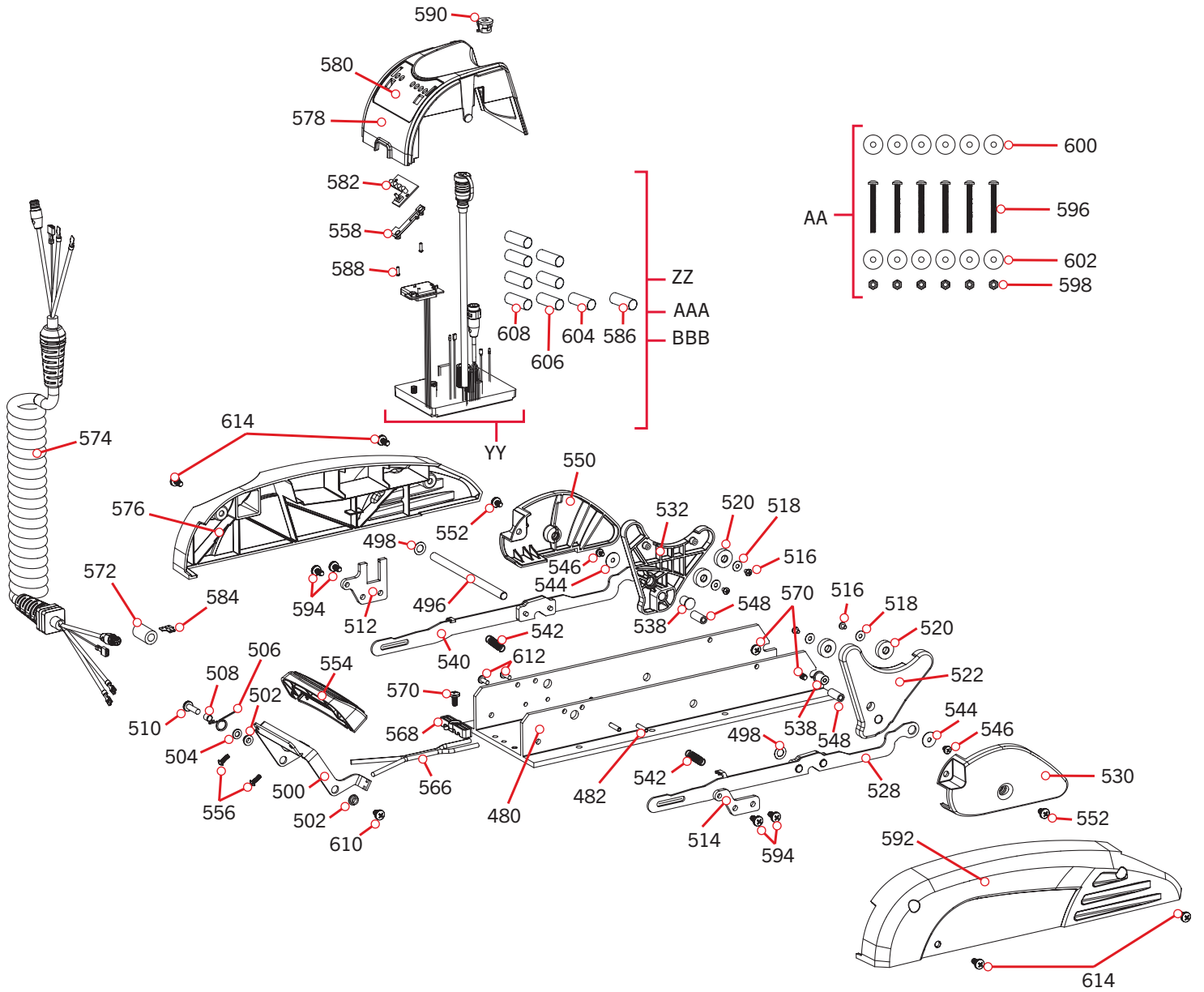
✦ Only available with models factory installed with Universal Sonar.

➔ Only available with models factory installed with Built-in MEGA Down Imaging.

PARTS DIAGRAM & PARTS LIST

TERROVA MOUNT >

> Mount Parts Diagram



PARTS DIAGRAM & PARTS LIST

Mount Parts List

Assembly	Part #	Description	Notes	Quantity
YY	2774065	CONTROL BRD, 12V TERROVA BT	*NO SHRINKS*	1
ZZ	2774066	CTRL BRD, 24/36V TRV BT w/SHRNK	*SHRINK TUBES*	1
AAA	2774067	CTRL BRD, 12V IP TRV BT w/SHRNK	*SHRINK TUBES* *i-PILOT/i-PILOT LINK*	1
BBB	2774069	CTRL BRD, 24/36V IP TRV BT, SHRNK	*SHRINK TUBES* *i-PILOT/i-PILOT LINK*	1
AA	2994864	BAG ASSY-TERROVA/V2,MNTG HDW		1
Item	Part #	Description	Notes	Quantity
480	2321907	BASE, EXTRUSION, MACHINED		1
482	2322912	PIN-ROLL .1875 X 1.000 SS		2
▲	2325502	DECAL, STOW / DEPLOY, T2		1
496	2322602	PIN-PIVOT, ZP		1
498	2013100	NUT-SPEED		2
500	2320405	HANDLE, RELEASE, FW		1
502	2322604	BUSHING,HANDLE,GOBEIL		2
504	2071716	WASHER-FLAT SS .253 x .470		1
506	2322701	SPRING, TORSION		1
508	2301700	SPACER-RELEASE LEVER-BRASS		1
510	2073408	SCREW-1/4-20 X 7/8 PPH S/S		1
512	2321940	BRACKET, STRAIN RELIEF FW		1
514	2321950	BRACKET, SIDEPLATE FW		1
516	2323412	SCREW-#8-18 X .25 PPH SS TY B		4
518	2321706	WASHER-FLAT #8 .50 OD/.188 SS		4
520	2325115	PAD, RUBBER REST, BLACK		4
522	2323910	RAMP-MOTOR, RIGHT 3-5/8"	*55LB THRUST*	1
	2323930	RAMP-MOTOR, RIGHT 4"	*80LB THRUST*	1
	2323931	RAMP-MOTOR, RIGHT 4.5"	*112LB THRUST*	1
528	2994204	ARM/SUPPORT BLOCK ASSY,R,FW		1
530	2321920	PLATE-SKID, RIGHT FW	*4.0* *3.625* *55LB THRUST* *80LB THRUST*	1
	2321922	PLATE-SKID, RIGHT FW	*4.5* *112LB THRUST*	1
532	2323915	RAMP-MOTOR, LEFT 3 5/8"	*55LB THRUST*	1
	2323935	RAMP-MOTOR, LEFT 4"	*80LB THRUST*	1
	2323936	RAMP-MOTOR, LEFT 4.5"	*112LB THRUST*	1
538	2324705	INSERT-MOTOR RAMP,METAL,ZP		2
540	2994202	ARM/SUPPORT BLOCK ASSY,L,FW		1
542	2322716	SPRING, EXTENSION, T2		2
544	2321700	WASHER #10 SS		2
546	2323422	SCREW-#10-24 X .25" PPH SS MCH		2

▲ Not shown on Parts Diagram.

✳ This part is included in an assembly and cannot be ordered individually.

◆ Only available with models factory installed with i-Pilot.

● Only available with models factory installed with i-Pilot Link.

✚ Only available with models factory installed with Universal Sonar.

➔ Only available with models factory installed with Built-in MEGA Down Imaging.

PARTS DIAGRAM & PARTS LIST



Item	Part #	Description	Notes	Quantity
548	2322920	STAND-OFF, ALUMINUM PLAIN		2
550	2321925	PLATE-SKID, LEFT FW	*4.0* *3.625* *55LB THRUST* * 80LB THRUST*	1
	2331927	PLATE-SKID, LEFT FW	*4.5* *112LB THRUST*	1
552	2323403	SCREW-1/4-20 X.375 MCH SS CRPH		2
554	2320217	COVER, HANDLE COSMETIC FW		1
556	2383446	SCREW-#8-16 X .50" PLASTITE SS		2
558	2320830	LOCKING TAB,PWR/BAT.METER		1
▲	2383428	SCREW-#4-24 X 3/8 HI-LO SS		2
▲	2320203	CAP-DUST,CONNECTOR,FEMALE		1
▲	2323406	SCREW-#10-24 X .50 CRPH SS		2
566	2090651	LEADWIRE,10 GA		1
568	2321310	STRAIN RELIEF		1
570	2323405	SCREW-1/4-20 X 1/2" MCH SS		3
572	2307313	BEAD-FERRITE		1
574	2991274	COIL CORD ASSY 45"/48" U.SONAR	*45"*	1
	2991272	COIL CORD ASY 54"/60" U.SONAR	*54"* *NON US2* *NON MDI*	1
	2991271	COIL CORD ASY 54"/60" NON-US2	*54"* *60"*	1
	2991276	COIL CORD ASSY 72" U.SONAR	*72"*	1
576	2323927	SIDEPLATE-LEFT, TERROVA		1
578	2326530	HOUSING-CENTER, TERROVA		1
580	2325657	DECAL, B. MTR/CON/PWR/STATUS FW		1
582	2074070	BATTERY METER, 12V, FW	*55LB THRUST*	1
	2074071	BATTERY METER, 24V, FW	*80LB THRUST*	1
	2074072	BATTERY METER, 36V, FW	*112LB THRUST*	1
584	2320710	TERMINAL-AMP (T-TAB)		1
586	2325401	SHRINK TUBE-3/4 ID X 2" W/ADHS		1
▲	2321315	HOLDER-CONNECTOR,NYLON,BLACK		1
588	2383428	SCREW-#4-24 X 3/8 HI-LO SS		2
590	2322901	STRAIN RELIEF, HEYCO P/N 1852		1
592	2323922	SIDEPLATE-RIGHT, TERROVA		1
594	2323404	SCREW-1/4-20 X 1/2" T-L ZP		4
596	2263462	SCREW-1/4-20 X 2" S/S PPH ADJT		6
598	2263103	NUT-1/4-20 NYLOCK SS		6
600	2301720	WASHER-MOUNTING - RUBBER		6
602	2261713	WASHER-1/4 FLAT 18-8 SS		6
604	2305415	SHRINK TUBE-.472 ID X 2.25"		1
606	2305410	SHRINK TUBE-.315 OD X 2.25"		3

▲ Not shown on Parts Diagram.

* This part is included in an assembly and cannot be ordered individually.

◆ Only available with models factory installed with i-Pilot.

● Only available with models factory installed with i-Pilot Link.

✦ Only available with models factory installed with Universal Sonar.

➔ Only available with models factory installed with Built-in MEGA Down Imaging.



PARTS DIAGRAM & PARTS LIST



Item	Part #	Description	Notes	Quantity
608	2305401	SHRINK TUBE-.374 ID X `1.5"		4
610	2332104	SCREW-1/4-20 X 5/8 S/S		1
612	2323402	SCREW-1/4-20 X .375 T-L, ZP		2
614	2323405	SCREW-1/4-20 X 1/2" MCH SS		4
▲	2327130	MANUAL, TERROVA BT	*ONLINE*	1
▲	2327132	MANUAL, INSTALL GUIDE, TRRV BT		1
▲	2397100 ◆	MANUAL, iPILOT 1.6	*ONLINE*	1
▲	2397102 ●	MANUAL, iPILOT 3.0	*ONLINE*	1
▲	2297165	MANUAL - DISCLAIMER. DOWNLOAD INFO		1

▲ Not shown on Parts Diagram.

✘ This part is included in an assembly and cannot be ordered individually.

◆ Only available with models factory installed with i-Pilot.

● Only available with models factory installed with i-Pilot Link.

✚ Only available with models factory installed with Universal Sonar.

➔ Only available with models factory installed with Built-in MEGA Down Imaging.



RECOMMENDED ACCESSORIES

ON-BOARD & PORTABLE BATTERY CHARGERS

Stop buying new batteries and start taking care of the ones you've got. Many chargers can actually damage your battery over time – creating shorter run times and shorter overall life. Digitally controlled Minn Kota chargers are designed to provide the fastest charge that protect and extend battery life.



MK212PC



MK210D



MK110PD

TALON SHALLOW WATER ANCHOR

Introducing the all-new, sleek redesigned Talon. Talon is the only shallow water anchor with up to 15' of anchoring depth, multiple anchoring modes, and control from the bow, transom, console, remote or mobile device.



BUILT-IN WORK LIGHT

Lets you tie lines and work from the transom any time of day — or night. Includes both white and blue LED lights with three brightness settings.



BLUETOOTH® CONNECTIVITY

Lets you control Talon from your mobile device and easily update it. Also opens up communication to other control options.



UP TO 15' DEEP

Control more water and catch more fish with the first 15' shallow water anchor.



MORE CONTROL OPTIONS

- Control Panel
- Wireless Remote
- Mobile App
- Wireless Foot Switch
- Humminbird® Connectivity
- i-Pilot® & i-Pilot Link™ Remote



MINN KOTA ACCESSORIES

We offer a wide variety of trolling motor accessories, including:

- 60-Amp Circuit Breaker
- Mounting Brackets
- Stabilizer Kits
- Extension Handles
- Battery Connectors
- Battery Boxes
- Quick Connect Plugs





TERROVA

MOTEUR DE PÊCHE À LA TRAÎNE MONTÉ SUR L'ÉTRAVE

Manuel du Propriétaire

PRÉSENTATION

MERCI

Nous vous remercions d'avoir choisi Minn Kota. Nous sommes persuadés que vous devriez consacrer plus de temps à pêcher et moins de temps à amarrer votre embarcation. C'est pourquoi nous construisons les propulseurs électriques les plus intelligents, les plus solides et les plus faciles à utiliser. Chaque aspect d'un propulseur électrique Minn Kota est réfléchi et étudié jusqu'à ce qu'il soit digne de porter notre nom. Nous avons investi des heures incalculables de recherche et d'essais pour vous offrir les avantages caractéristiques de Minn Kota, qui vous mène vraiment « n'importe où, et n'importe quand. » Notre principe est simple, nous faisons les choses selon les règles. Nous sommes Minn Kota. Et nous ne cesserons jamais de vous aider à pêcher plus de poissons.

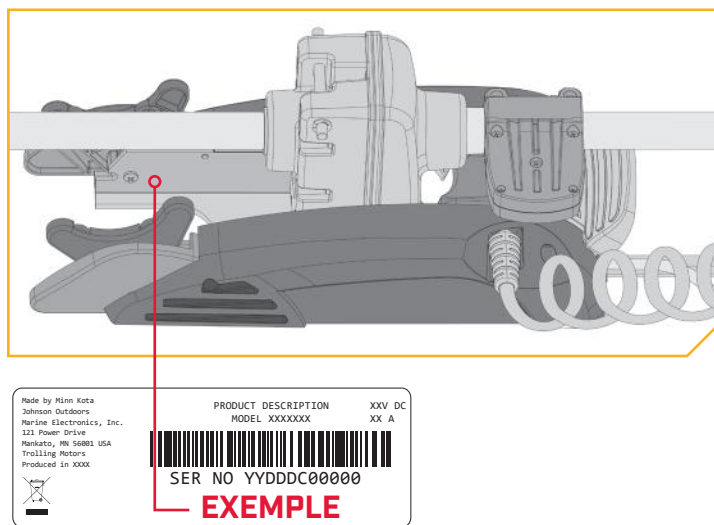
ENREGISTREMENT

N'oubliez pas de conserver votre reçu et d'enregistrer immédiatement votre propulseur électrique. Une fiche d'enregistrement est fournie avec votre moteur; vous pouvez également effectuer l'enregistrement sur notre site Web à minnkotamotors.com/register.

NUMÉRO DE SÉRIE

Le numéro de série à 11 caractères Minn Kota est très important. Cela permet de déterminer le modèle spécifique et l'année de fabrication. Lorsque vous contactez le Service à la clientèle ou que vous enregistrez votre article, vous aurez besoin du numéro de série de votre article. Nous vous suggérons de noter le numéro de série afin qu'il soit disponible à des fins de référence future.

AVIS : Le numéro de série de votre Terrova se trouve sous la barre d'inclinaison.



INFORMATIONS SUR LE MOTEUR (À des fins de Référence par le Client Seulement)

Modèle: _____

Numéro de Série: _____

Date de l'achat: _____

Magasin où l'achat a été effectué: _____

AVIS : Ne retournez pas votre moteur Minn Kota au détaillant. Le détaillant n'est pas autorisé à réparer ou à remplacer cet appareil. Pour le service : communiquer avec Minn Kota au (800) 227-6433; retourner le moteur au Centre de service de l'usine de Minn Kota; envoyer ou apporter le moteur à un centre de service agréé de Minn Kota. Une liste de centres de service agréés est disponible sur notre site Web, à minnkotamotors.com. Pour obtenir un service au titre de la garantie, y compris toutes les options susmentionnées, veuillez inclure la preuve d'achat, le numéro de série et la date de l'achat.

TABLE DES MATIÈRES

FACTEURS DE SÉCURITÉ	66
GARANTIE	67
CONNAISSEZ VOTRE BATEAU	68
CARACTÉRISTIQUES	69
INSTALLATION	70
Installation du Terrova.....	71
Identification des caractéristiques du moteur de pêche à la traîne au moyen des câbles qui y sont associés.....	76
Acheminement des câbles de connexion.....	76
Aperçu des caractéristiques et connexion des câbles.....	78
INSTALLATION DES BATTERIES ET DU CÂBLAGE	83
Gréement de l'Embarcation et Installation du Produit.....	83
Tableau des Dimensions de Gabarit des Conducteurs et Disjoncteurs.....	83
Comment Sélectionner une Batterie Adéquate.....	84
Autres Points à Considérer.....	84
Comment Raccorder la Batterie.....	85
Connexion des Batteries en Série.....	86
SCHÉMA DE CÂBLAGE DU MOTEUR	88
UTILISATION ET RÉGLAGE DU MOTEUR	90
Caractéristiques du Support.....	90
Arrimage et Déploiement du Moteur.....	91
Indicateur d'état de Batterie « Appuyer Pour Tester ».....	91
Réglage de la Profondeur du Moteur.....	92
Ajustement de l'Unité Inférieure pour un Arrimage Sûr.....	93
Installation d'un Transducteur Externe.....	94
UTILISATION DE LA PÉDALE	95
Contrôle de la Vitesse et de la Direction avec la Pédale.....	95
SERVICE ET ENTRETIEN	97
Remplacement de l'Hélice.....	97
Entretien Général.....	98
Dépannage.....	98
Pour d'autres services de dépannage et de réparation.....	99
DÉCLARATIONS DE CONFORMITÉ	100
SCHÉMA DES PIÈCES ET LISTE DES PIÈCES	102

FACTEURS DE SÉCURITÉ

Veillez lire attentivement le manuel de l'utilisateur. Suivez toutes les instructions et respectez toutes les consignes de sécurité et mises en garde. L'utilisation de ce moteur n'est autorisée que pour les personnes qui ont lu et compris ces consignes pour l'utilisateur. Les personnes mineures peuvent utiliser ce moteur uniquement sous la supervision d'un adulte.

AVERTISSEMENT

Vous seul êtes responsable de la navigation sécuritaire et prudente sur votre bateau. Nous avons conçu votre Minn Kota pour qu'il soit un outil précis et fiable qui vous permettra d'améliorer l'utilisation de votre bateau et d'accroître votre capacité de pêcher des poissons. Ce produit ne vous exonère pas de la responsabilité de naviguer en toute sécurité avec votre bateau. Vous devez éviter les dangers liés à la navigation et toujours exercer une veille permanente afin de pouvoir réagir au fur et à mesure que les situations se présentent. Vous devez toujours être prêt à reprendre le contrôle manuel de votre bateau. Apprenez à utiliser votre Minn Kota dans une zone exempte de dangers et d'obstacles.

AVERTISSEMENT

Ne faites jamais fonctionner le moteur hors de l'eau, puisque cela entraînerait des blessures causées par l'hélice en rotation. Le moteur doit être débranché de la source d'alimentation lorsqu'il n'est pas utilisé ou lorsqu'il est hors de l'eau. Au moment de brancher les câbles d'alimentation du moteur à la batterie, veiller à ce qu'ils ne soient pas entortillés ou exposés au frottement, puis les placer de telle manière que personne ne risque de trébucher. Avant d'utiliser le moteur, s'assurer que l'isolant des câbles d'alimentation n'est pas endommagé. Ne pas tenir compte de ces mesures de sécurité peut entraîner des courts-circuits avec les batteries et/ou le moteur. Toujours débrancher le moteur des batteries avant le nettoyage ou la vérification de l'hélice. Éviter de submerger complètement le moteur, car l'eau pourrait pénétrer dans l'appareil inférieur par la tête de contrôle et l'arbre. Si le moteur est utilisé alors que de l'eau est présente dans l'appareil inférieur, ce dernier pourrait subir des dommages considérables. Ces dommages ne seront pas couverts par la garantie.

AVERTISSEMENT

Veillez à ce que ni vous ni d'autres personnes ne vous approchiez trop près de l'hélice en rotation, que ce soit seulement avec une partie du corps ou des objets. Le moteur est puissant et pourrait provoquer des situations périlleuses ou des blessures, pour vous ou les autres. Lorsque le moteur est en marche, se méfier des objets flottants ou des personnes qui pourraient être en train de nager. Les personnes, dont les réactions ou la capacité à faire fonctionner le moteur est/sont affaiblie(s) par l'alcool, la drogue, les médicaments ou d'autres substances, ne sont pas autorisées à utiliser ce moteur. Ce moteur n'est pas adapté à l'utilisation dans de forts courants. Le niveau de pression sonore constant du moteur au moment de l'utilisation est inférieur à 70 dB (A). Le niveau de vibration général ne dépasse pas $8,2 \text{ pi/s}^2$ ($2,5 \text{ m/s}^2$).

AVERTISSEMENT

Lorsque vous remontez ou abaissez le moteur, gardez vos doigts loin de toutes charnières et tous points de pivot ainsi que de toutes pièces mobiles. En cas d'opération imprévue, retirez les câbles d'alimentation à la batterie.

AVERTISSEMENT

Il est recommandé d'utiliser exclusivement les accessoires approuvés par Johnson Outdoors avec votre moteur Minn Kota. L'utilisation d'accessoires non approuvés, y compris pour monter ou contrôler votre moteur, pourrait causer des dommages, un fonctionnement inattendu du moteur et des blessures. Veillez à utiliser le produit ainsi que les accessoires approuvés, y compris les télécommandes, en toute sécurité et de la manière indiquée pour éviter les accidents ou un fonctionnement inattendu du moteur. Ne retirez pas les pièces installées en usine, y compris les couvercles, boîtiers et protections du moteur et des accessoires.

GARANTIE

GARANTIE SUR LES MOTEURS DE PÊCHE À LA TRAÎNE EN EAU DOUCE MINN KOTA

Moteurs de pêche à la traîne en eau douce Minn Kota - Garantie à vie limitée sur l'arbre composite et garantie limitée de deux ans sur l'ensemble du produit

Johnson Outdoors Marine Electronics, Inc. (« JOME ») offre la garantie limitée suivante uniquement à l'acheteur au détail initial. La garantie n'est pas transférable.

Garantie limitée de deux ans de Minn Kota sur l'ensemble du produit

JOME garantit uniquement à l'acheteur au détail initial que son nouveau propulseur électrique pour eau douce Minn Kota est exempt de défauts résultant d'un vice de fabrication et de main-d'œuvre pouvant survenir au cours des deux (2) ans suivant la date d'achat. JOME se réserve le droit de réparer ou de remplacer, au choix et gratuitement, toute pièce pouvant s'avérer défectueuse pendant la durée de la présente garantie. Cette réparation ou ce remplacement est l'unique et exclusive responsabilité de JOME et constitue le seul recours de l'acheteur pour tout manquement à la présente garantie.

Garantie à vie limitée Minn Kota sur l'arbre composite

JOME garantit uniquement à l'acheteur au détail initial que l'arbre composite de son propulseur électrique Minn Kota est exempt de défauts résultant d'un vice de fabrication et de main-d'œuvre pouvant survenir au cours de la durée de vie de l'acheteur initial. JOME fournira, gratuitement, un arbre composite neuf pour remplacer tout arbre composite pouvant s'avérer défectueux pendant la durée de la présente garantie. Fournir un arbre composite neuf sera la seule et exclusive responsabilité de JOME et le seul et unique recours de l'acheteur pour tout manquement à la présente garantie; et l'acheteur sera responsable de l'installation ou du coût de la main-d'œuvre pour l'installation de tout arbre composite neuf, fourni par JOME.

Exclusions et limites

La présente garantie limitée ne s'applique pas aux produits qui ont été utilisés en eau salée, en eau saumâtre ou à des fins commerciales ou locatives. Cette garantie ne couvre pas l'usure normale, les imperfections qui n'affectent pas le fonctionnement du moteur, ni les dommages causés par les accidents, l'abus, l'altération, la modification, les dommages durant le transport, les désastres naturels, la négligence de l'utilisateur, l'utilisation abusive, un soin ou un entretien inadéquat. **LES DOMMAGES CAUSÉS PAR L'UTILISATION DE PIÈCES DE REMPLACEMENT NON CONFORMES AUX SPÉCIFICATIONS DE CONCEPTION DES PIÈCES ORIGINALES NE SONT PAS COUVERTS PAR LA PRÉSENTE GARANTIE LIMITÉE.** Le coût de l'entretien normal ou des pièces de rechange qui ne contreviennent pas à la garantie limitée incombe à l'acheteur. Avant utilisation, l'acheteur doit déterminer si le produit convient à l'emploi prévu et assume tous les risques et responsabilités connexes. Toute assistance fournie par JOME à l'acheteur ou au nom de ce dernier hors du cadre des modalités, des restrictions et des exclusions de la présente garantie limitée ne constitue pas une renonciation à l'égard de telles modalités, restrictions ou exclusions et une telle assistance n'aura pas pour effet de prolonger ni de restaurer la garantie. JOME ne remboursera aucune dépense encourue par l'acheteur dans le cadre de la réparation, de la correction ou du remplacement de pièces ou de produits défectueux, à l'exception des dépenses engagées sur consentement écrit préalable de JOME. **LA RESPONSABILITÉ GLOBALE DE JOME À L'ÉGARD DES PRODUITS COUVERTS PAR LA GARANTIE EST LIMITÉE À UN MONTANT ÉQUIVALENT AU PRIX D'ACHAT PAYÉ POUR LE PRODUIT EN QUESTION.**

Information sur le service de Minn Kota

Pour obtenir le service au titre de la garantie aux États-Unis, le produit jugé défectueux et la preuve d'achat originale (comportant la date d'achat) doivent être présentés à un centre de service agréé Minn Kota. Rendez-vous sur www.minnkotamotors.com/support/service-providers/locate pour trouver un centre de service agréé Minn Kota. Tous les frais d'appels de service, de transport ou d'expédition à destination ou à partir du centre de service agréé de Minn Kota, de main-d'œuvre pour transporter, retirer, réinstaller ou regérer les articles retirés pour le service de garantie ou de tout autre élément similaire sont la seule et unique responsabilité de l'acheteur. Les produits achetés à l'extérieur des États-Unis doivent être retournés, port payé avec la preuve d'achat (y compris la date d'achat et le numéro de série) à tout centre de service agréé de Minn Kota dans le pays de l'achat. Pour contacter le service à la clientèle de Minn Kota, rendez-vous sur www.minnkotamotors.com/contact. Les produits réparés ou remplacés seront garantis pour la durée restante de la période de garantie initiale, ou pendant 90 jours à compter de la date de réparation ou de remplacement, la période la plus longue étant retenue. Pour tout produit retourné pour un service de garantie que JOME considère comme n'étant pas couvert ou non enfreignant cette garantie limitée, il y aura une facturation pour les services rendus au taux de main-d'œuvre en vigueur du centre de service agréé Minn Kota applicable et pour un minimum d'au moins une heure.

Localisateur de fournisseurs de services



Contactez le service à la clientèle

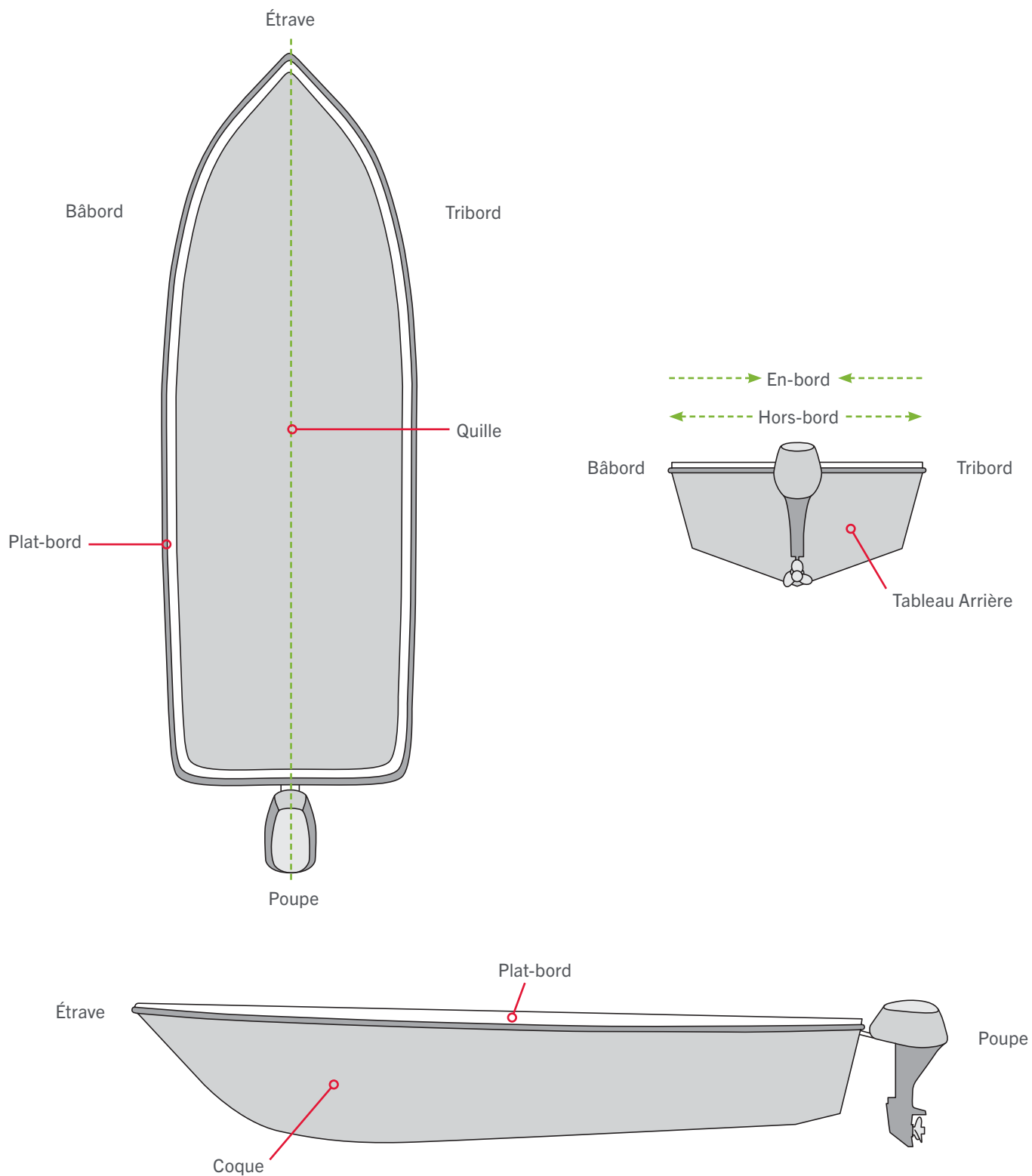


AVIS : ne pas retourner le produit Minn Kota au détaillant. Le détaillant n'est pas autorisé à le réparer ou à le remplacer.

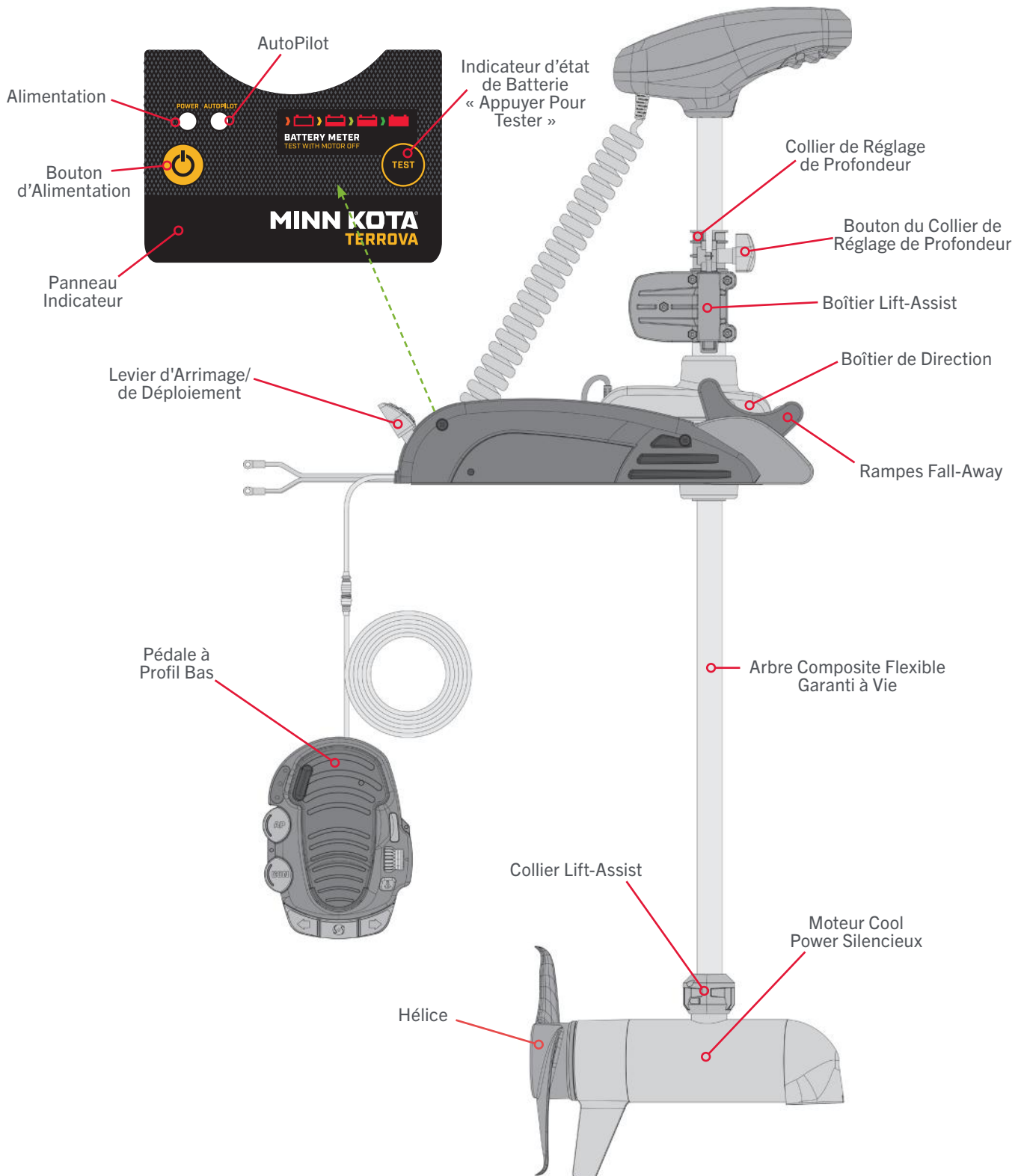
AVIS : IL N'Y A AUCUNE GARANTIE EXPRESSE AUTRE QUE LES PRÉSENTES GARANTIES LIMITÉES. AUCUNE GARANTIE IMPLICITE, Y COMPRIS TOUTE GARANTIE IMPLICITE DE QUALITÉ MARCHANDE OU D'ADÉQUATION À UN USAGE PARTICULIER, NE SE PROLONGERA AU-DELÀ DE LA DURÉE DE LA PRÉSENTE GARANTIE LIMITÉE EXPRESSE. JOME NE POURRA EN AUCUNE FAÇON ÊTRE TENUE RESPONSABLE DES DOMMAGES PUNITIFS, INDIRECTS, ACCESSOIRES, CONSÉCUTIFS OU PARTICULIERS. Sans limiter la portée de ce qui précède, JOME décline toute responsabilité en cas de perte d'utilisation du produit, perte de temps, d'inconvénient et d'autre dommage.

Certains États ne permettent pas de limites sur la durée d'une garantie implicite ou l'exclusion ou la limitation des dommages accessoires ou indirects, donc, les limitations ou exclusions ci-dessus peuvent ne pas s'appliquer à vous. La présente garantie vous donne des droits légaux spécifiques et vous pouvez également bénéficier d'autres droits qui varient d'un État à l'autre.

CONNAISSEZ VOTRE BATEAU



CARACTÉRISTIQUES



AVIS : Les spécifications peuvent faire l'objet de modifications sans préavis. Le schéma est fourni aux fins de référence seulement et peut différer de votre moteur actuel.

INSTALLATION

INSTALLATION DU TERROVA

Votre nouveau Terrova est offert avec tout ce dont vous aurez besoin pour le montage direct au bateau. Ce moteur peut être monté directement sur le bateau ou couplé avec un support à dégagement rapide Minn Kota pour un montage et un démontage simples. Pour l'installation avec un support à dégagement rapide, vous reporter aux directives d'installation fournies avec le support. Pour obtenir des supports de montage à dégagement rapide compatibles ou pour trouver votre concessionnaire le plus près, visitez minnkotamotors.com. Pour installer le moteur directement sur le bateau, veuillez suivre les directives fournies avec ce manuel. Avant de commencer, veuillez examiner la liste des pièces et des outils nécessaires à l'installation. Pour davantage de soutien pour les produits, veuillez visiter minnkotamotors.com.

LISTE DE PIÈCES D'INSTALLATION

Article/Assemblage	N° de Pièce	Description	Qté.
AA	2994864	BAG ASSEMBLY - (BOLT, NUT, WASHERS)	1
1	2263462	BOLT-MOUNTING-1/4X2 W/STG	6
2	2261713	WASHER-1/4	6
3	2263103	NUT NYLOK 1/4-20 MTG	6
4	2301720	WASHER-MOUNTING RUBBER	6
5	✘	MOTOR ASSEMBLY	1
6	2390800 ♦♦	LANYARD, REMOTE W/ CARABEENER	1
7	2994075 ♦	REMOTE ASY, IPILOT	1
▲	2397106 ♦	MANUAL, QUICK REF., IPILOT 1.6	1
8	2994076 ●	REMOTE ASSEMBLY LINK TOUCHSCREEN	1
9	2373241 ●	CABLE, USB REMOTE CHARGER LINK	1
10	2375901 ●	ADAPTER, USB DC POWER LINK	1
11	2996400 ♦♦	HEADING SENSOR ASSEMBLY *CERTAINS MODÈLES UNIQUEMENT*	1
12	490389-1 ●	CABLE, ETH (M12-M-M12-F, 30')	1
13	2211415 +	CABLE-EXTENSION, PD/AP 110" *PRÉINSTALLÉ*	1
	490507-1 →	CABLE, ADP-INT MDI 14 M12-120" *PRÉINSTALLÉ*	1
14	2092600	PIN-DRIVE 1.06" LG (SS)	1
	2262658	PIN-DRIVE 1" X 3/16" S/S	1
15	2151726	WASHER-5/16 STD (S/S)	1
	2091701	WASHER-PROP (LARGE)	1
16	2053101	NUT-PROP,NYLOC (MED) 5/16 SS	1
	2093101	NUT-PROP,NYLOC,LG, 3/8 SS	1
17	2091160	PROP-WW2 (3-5/8") REAMED	1
	2341160	PROP-WW2 (4.5) W/ADP.RING	1
	2331160	PROP-WW2 (4") W/ADP.RING	1
BB	1378131	PROP IND 2091160 WDLs WDG II	1
CC	1378160	PROP KIT 2341160 112# WW2	1
DD	1378132	PROP IND 2331160 WDLs WDG II	1
EE	2994722	FT PED ASY, TRV, W/SPOT LCK	1
FF	2994859	BAG, ASY-TERROVA/V2, RUB BUMPERS	1
18	2325110	PAD, FOOT PEDAL	5
▲	2327132	INSTALLATION INSTRUCTIONS TERROVA	1
▲	2397107 ●	MANUAL, QUICK REF., IPILOT LINK 3.0	1

▲ Non visible sur le schéma des pièces.

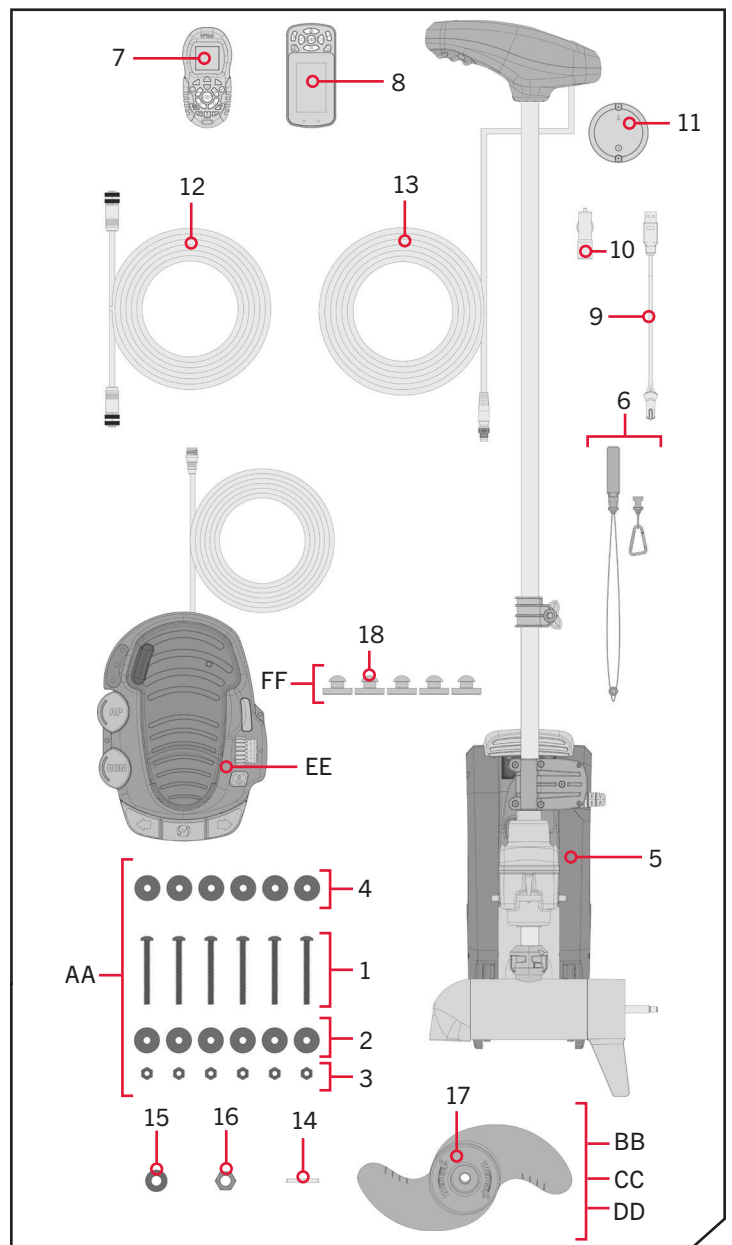
✘ Cette pièce est incluse dans un ensemble et ne peut pas être commandée individuellement.

♦ Uniquement disponible avec les modèles possédant un système i-Pilot installé en usine.

● Uniquement disponible avec les modèles possédant un i-Pilot Link installé en usine.

+ Uniquement disponible avec les modèles possédant un Universal Sonar installé en usine.

→ Uniquement disponible avec les modèles possédant un système MEGA Down Imaging intégré installé en usine.



FACTEURS DE MONTAGE >

Il est recommandé que le moteur soit monté aussi près que possible de la quille ou de l'axe du bateau. Vérifiez que la zone sous l'emplacement pour percer des trous et installer des rondelles et des écrous est dégagée. Assurez-vous que le support du moteur est positionné assez loin du bord du bateau. Le moteur ne doit rencontrer aucune obstruction lorsqu'il est dans l'eau ou relevé. Envisagez l'installation d'un support à dégagement rapide ou un adaptateur. Pour la liste complète des accessoires Minn Kota, veuillez visiter minnkotamotors.com.



Découvrez les accessoires disponibles pour votre moteur de pêche à la traîne sur minnkotamotors.com.

OUTILS ET RESSOURCES NÉCESSAIRES >

- Tournevis cruciforme n° 3
- Perceuse
- Mèche de 9/32 po (7,1 mm)
- Clé polygonale de 7/16 po (11,1 mm)
- Une deuxième personne pour vous aider avec l'installation

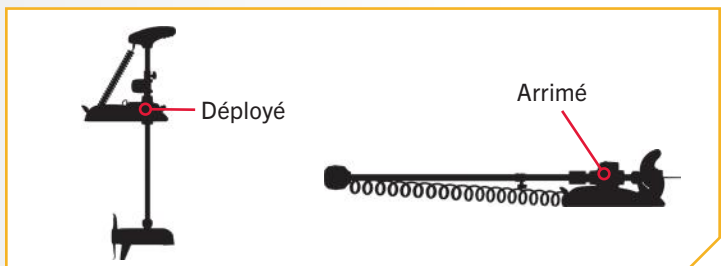
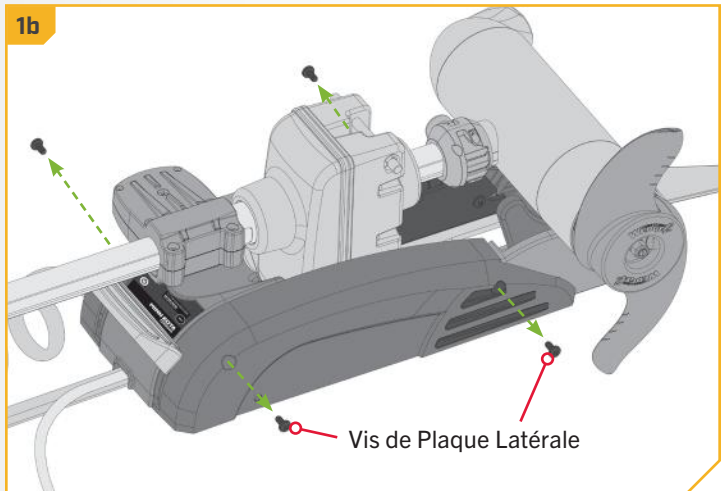
INSTALLATION >

INSTALLATION DU TERROVA

1

- Placez le support sur une surface élevée, de niveau, comme un établi ou le hayon d'une camionnette. Le moteur, lorsque retiré de la boîte, devrait être en position arrimée.
- Placez le support sur une surface élevée, de niveau, comme un établi ou le hayon d'une camionnette. Le moteur, lorsque retiré de la boîte, devrait être en position arrimée.

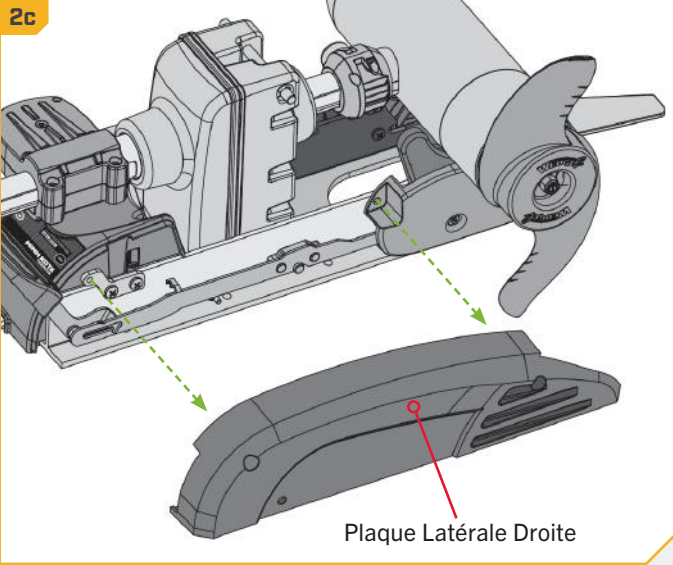
AVIS : Ce moteur pèse environ 65 lb (29,5 kg). Pour l'installation, nous recommandons de vous faire aider par une deuxième personne.



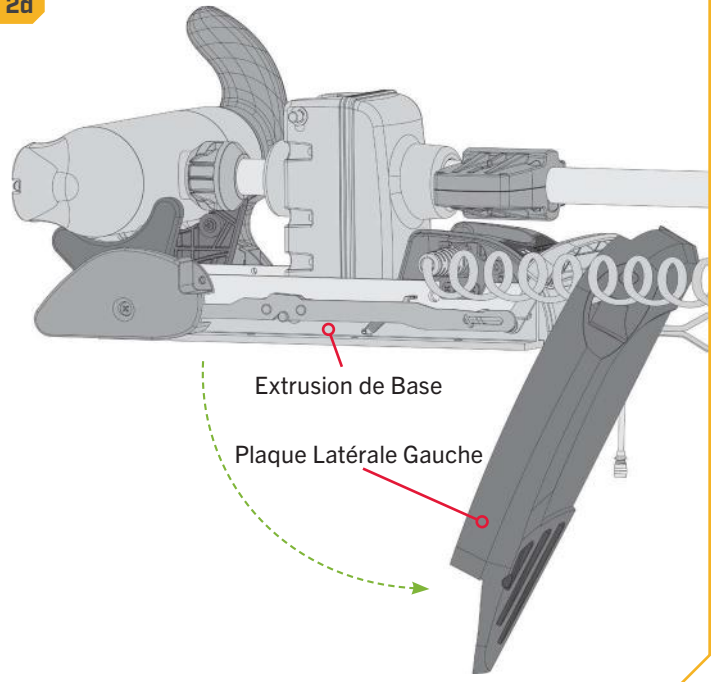
INSTALLATION DU TERROVA

2

- c. Enlevez la plaque latérale droite.
- d. Faites pivoter la plaque latérale gauche en l'éloignant de l'extrusion de base.



2d



3

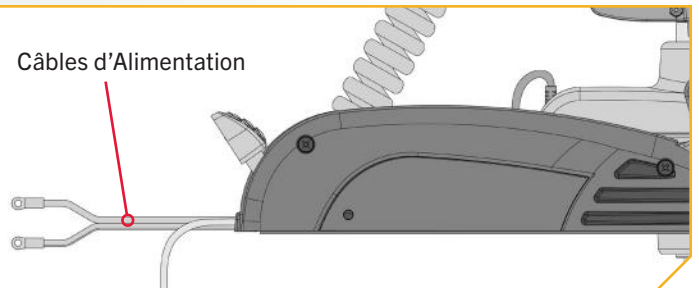
- e. Assurez-vous que les câbles d'alimentation de la batterie sont déconnectés, ou que le disjoncteur, le cas échéant, est en position "arrêt".



AVERTISSEMENT

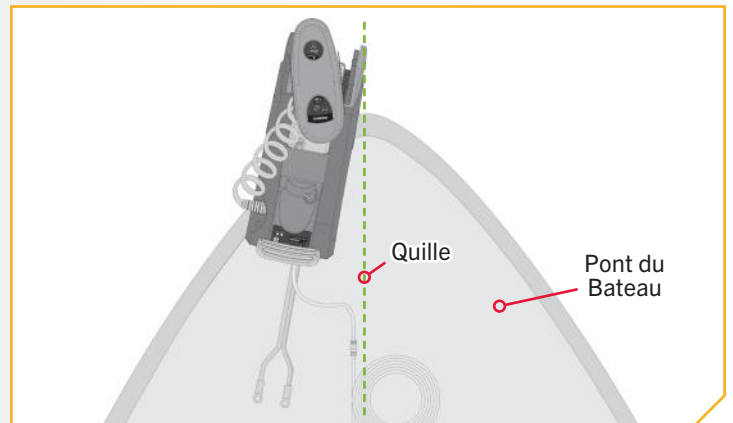
Assurez-vous que le moteur est installé sur une surface plane et n'est pas branché à une source d'alimentation.

Câbles d'Alimentation



4

- f. Placez le support aussi près que possible de la quille ou de l'axe du bateau. Le moteur peut être installé soit sur le côté bâbord ou tribord du bateau, selon la préférence personnelle. Vérifiez l'emplacement avec le moteur dans la position arrimée et déployée. Relisez les facteurs de montage juste avant l'installation.

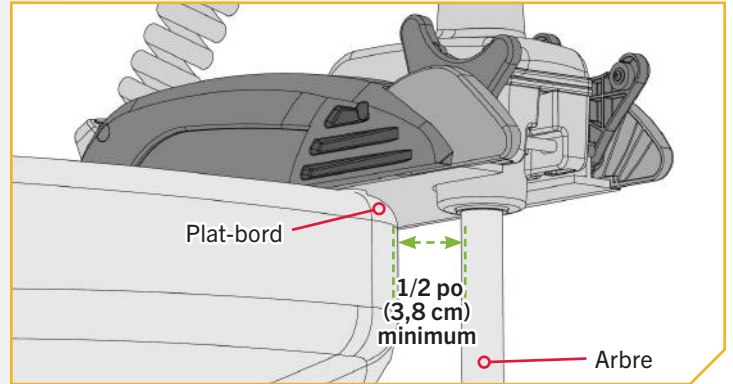


5

ARTICLE(S) REQUIS

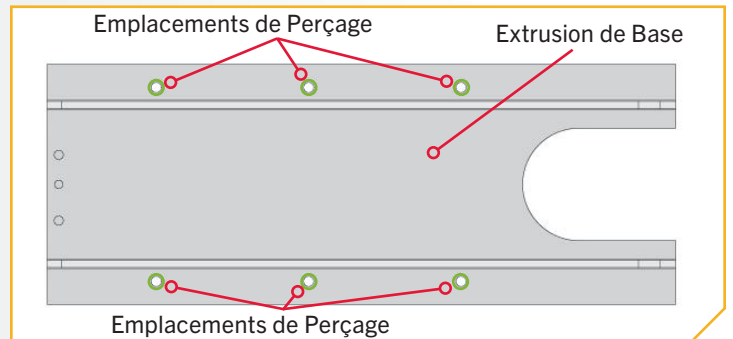
● #4 x 6

- g. Lorsque le moteur est en position déployée, veillez à ce que l'arbre dépasse le plat-bord du bateau de 1 1/2 po (3,8 cm). L'appareil inférieur lorsque arrimé et déployé ne doit pas rencontrer d'obstacles.
- h. Assurez-vous que le support est de niveau. Au besoin, utilisez les rondelles de caoutchouc (article n° 4) pour créer une surface au niveau.



6

- i. Il est recommandé de marquer au moins 4 des 6 trous dans l'extrusion de base et d'avoir au moins deux boulons de chaque côté qui sont le plus éloignés l'un de l'autre. Une installation idéale serait d'utiliser 6 boulons avec un minimum de 4.
- j. Percez le pont du bateau à l'aide d'une perceuse 9/32 po (7,1 mm) aux endroits marqués.



INSTALLATION DU TERROVA

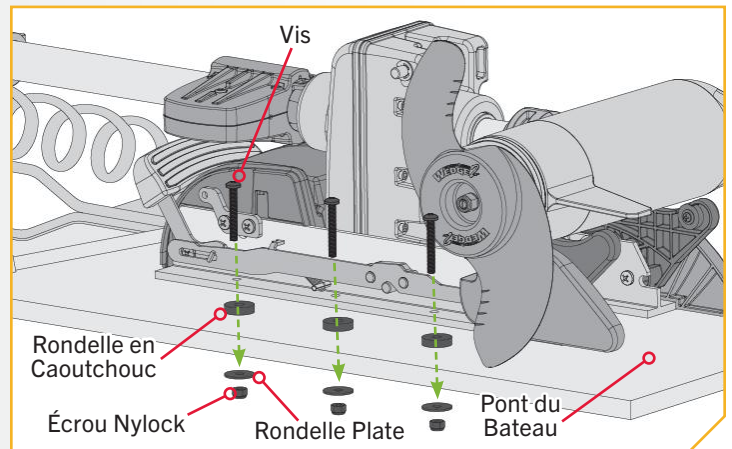
7

ARTICLE(S) REQUIS

● #2 x 6 | #1 x 6 ○ #3 x 6 ● #4 x 6

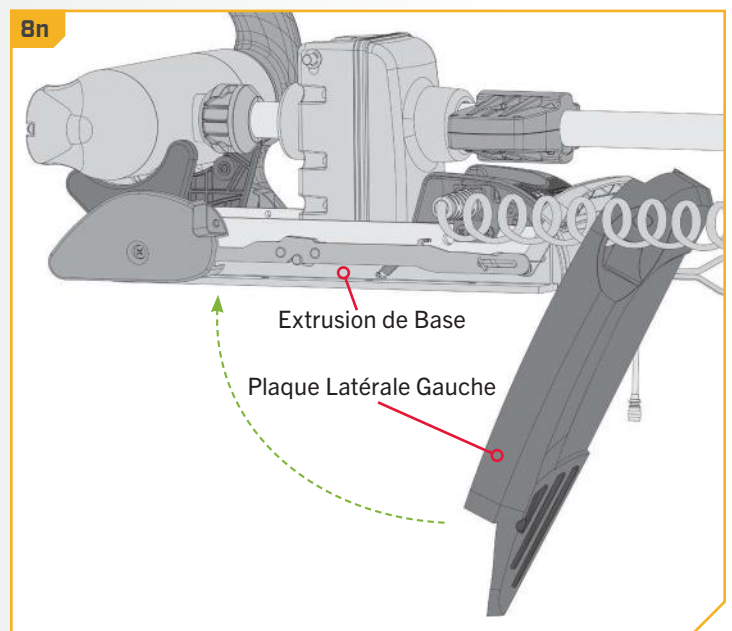
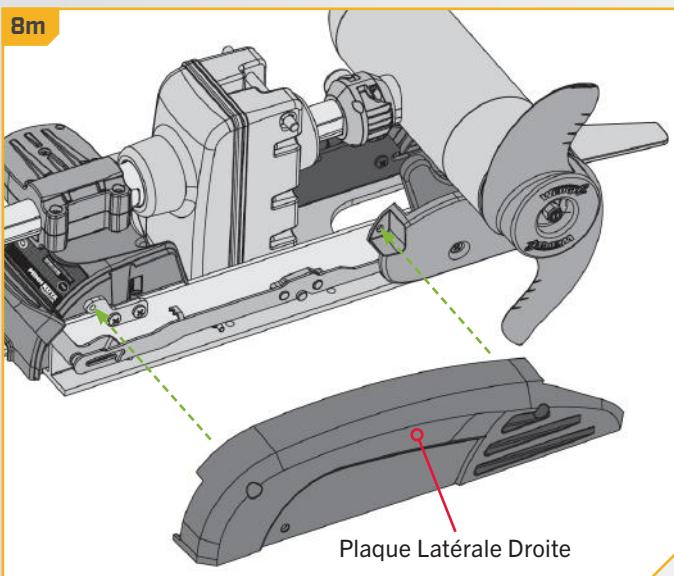
- k. Mettez une vis 1/4-20 x 2 po (6,4-20 x 50,8 mm) (article n° 1) dans chaque trou percé. La vis doit traverser l'extrusion de base et le pont du bateau. Si les rondelles en caoutchouc (article n° 4) sont utilisées, elles doivent se trouver entre l'extrusion de base et le pont du bateau. Assurez-vous de fixer le moteur avec des vis de chaque côté de l'extrusion de base.
- l. Placez une rondelle plate (article n° 2) puis un écrou Nylock (article n° 3) au bout de chaque vis comme illustré, puis serrez les écrous. Veillez à ce que toute la quincaillerie soit bien fixée.

AVIS : Pour prévenir le grippage de la quincaillerie en acier inoxydable, n'utilisez pas d'outils haute vitesse pour l'installation. Le fait de mouiller les vis ou d'appliquer un antigrippant peut aider à prévenir qu'elles grippent.



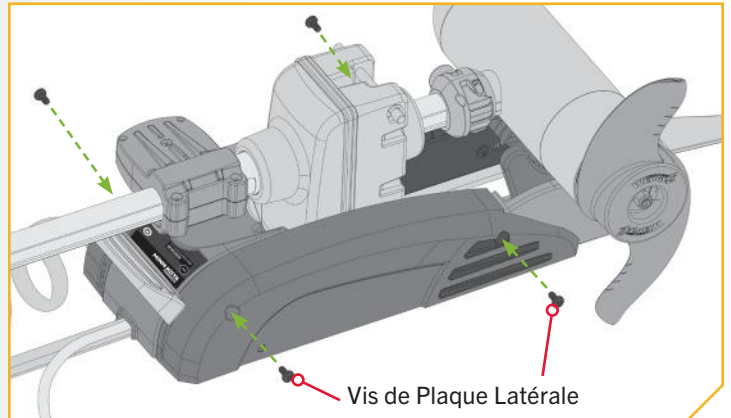
8

- m. Remplacez la plaque latérale droite.
- n. En la faisant pivoter, remplacez la plaque latérale gauche dans sa position appropriée sur l'extrusion de base.



9

- o. Remplacez les quatre vis de la plaque latérale en utilisant un tournevis cruciforme n° 3 ou n° 2. Deux de ces vis seront situées de chaque côté du support.



10

ARTICLE(S) REQUIS

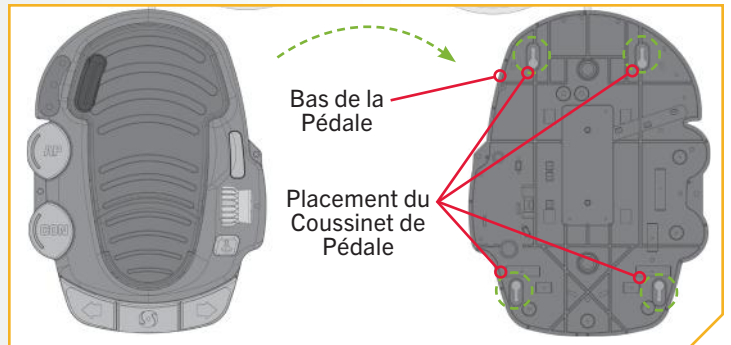
 #18 x 5



#EE x 1

- p. Prenez la pédale (article n° EE) et retournez-la. Placez un coussinet de pédale (article n° 18) dans chacun des emplacements de coussinet.

AVIS : les coussinets sont recommandés lors de l'utilisation de la pédale sur des surfaces n'étant pas couvertes de tapis.

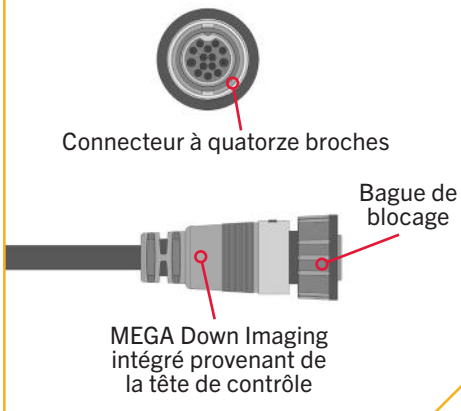


IDENTIFICATION DES CARACTÉRISTIQUES DU MOTEUR DE PÊCHE À LA TRAÎNE AU MOYEN DES CÂBLES QUI Y SONT ASSOCIÉS

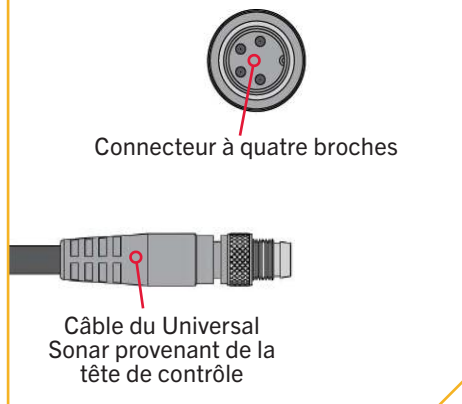
IDENTIFICATION DES CARACTÉRISTIQUES DU MOTEUR DE PÊCHE À LA TRAÎNE AU MOYEN DES CÂBLES QUI Y SONT ASSOCIÉS

Votre moteur de pêche à la traîne pourrait posséder un système MEGA Down Imaging intégré OU Universal Sonar, et peut également être doté du i-Pilot Link. Toutes ces caractéristiques exigent la connexion des câbles à un dispositif de sortie. Ces connexions se trouvent sur le moteur de pêche à la traîne et disposent de câbles qui sortent sous la tête de contrôle. Afin de mieux identifier les câbles, consultez les diagrammes ci-dessous qui indiquent à quoi ressemblent les connecteurs de câble du MEGA Down Imaging intégré, de l'Universal Sonar et du i-Pilot Link.

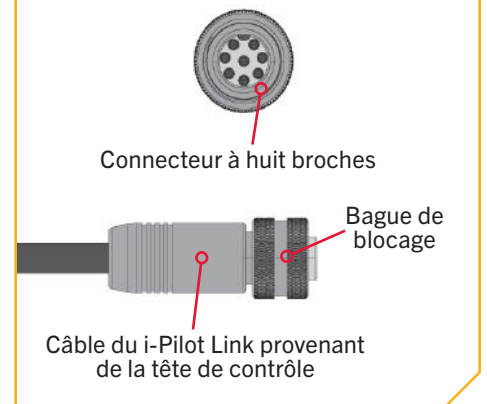
MEGA Down Imaging intégré



Universal Sonar



i-Pilot Link



Si **une** connexion est présente sous la tête de contrôle, il se peut que le moteur soit doté du :

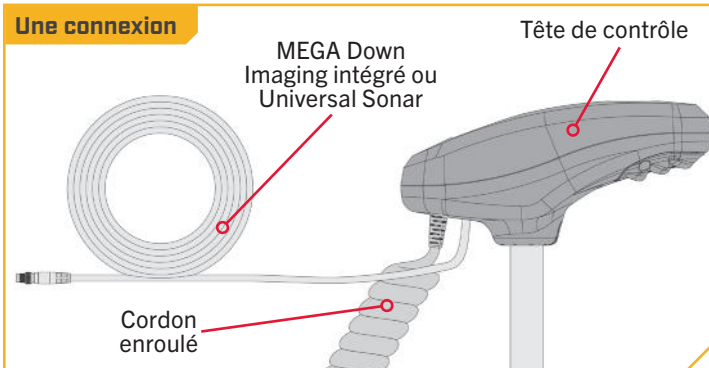
1. i-Pilot et du Universal Sonar,
2. i-Pilot et du MEGA Down Imaging intégré,
3. UNIQUEMENT du Universal Sonar, ou
4. UNIQUEMENT du MEGA Down Imaging intégré.

AVIS : Le système i-Pilot ne dispose d'aucune connexion externe câblée.

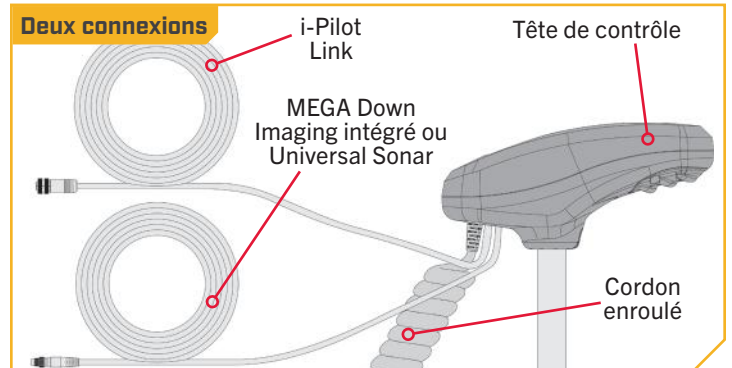
Si **deux** connexions sont présentes sous la tête de contrôle, il se peut que le moteur soit doté du :

1. i-Pilot Link et du Universal Sonar ou
2. i-Pilot Link et du MEGA Down Imaging intégré

Une connexion



Deux connexions



ACHEMINEMENT DES CÂBLES DE CONNEXION

Veuillez respecter ces instructions pour l'acheminement de tout câble présent pour l'une ou l'autre des caractéristiques installées d'avance livrées avec votre moteur de pêche à la traîne. Cet acheminement doit être respecté qu'il n'y ait qu'un ou deux câbles de connexion. Si vous n'êtes pas certain du nombre de câbles présent, consultez la section « Identification des caractéristiques du moteur de pêche à la traîne au moyen des câbles qui y sont associés » des présentes instructions d'installation.

ACHEMINEMENT DES CÂBLES DE CONNEXION

1

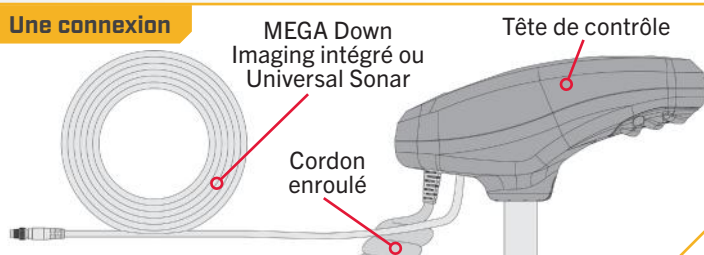
- Placez le moteur dans la position déployée.
- Localisez le(s) câble(s) du MEGA Down Imaging intégré, du i-Pilot Link et/ou de l'Universal Sonar à la base de la tête de contrôle.

ATTENTION

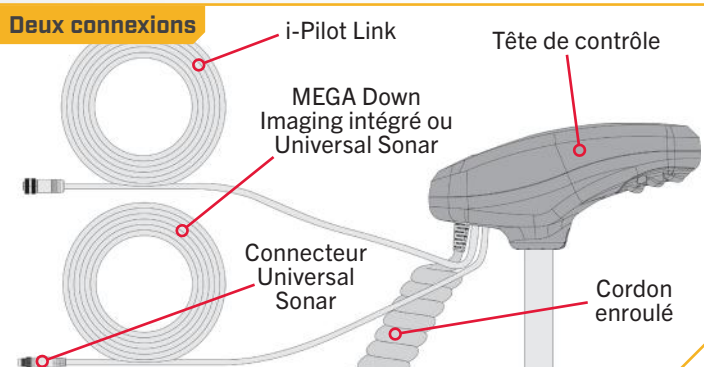
Le défaut de respecter l'acheminement des fils recommandé pour le(s) câble(s) du MEGA Down Imaging intégré, du i-Pilot Link et/ou de l'Universal Sonar, si ainsi équipé, peut endommager le produit et annuler sa garantie. Acheminez les câbles en évitant les points de pincement et les autres zones qui pourraient faire en sorte que les câbles soient pliés à des angles aigus. Effectuer l'acheminement des câbles d'une toute autre façon que celle dictée peut entraîner des dommages aux câbles par un pincement ou sectionnement.

AVIS : Connecteur d'Universal Sonar présenté à des fins d'illustration.

Une connexion



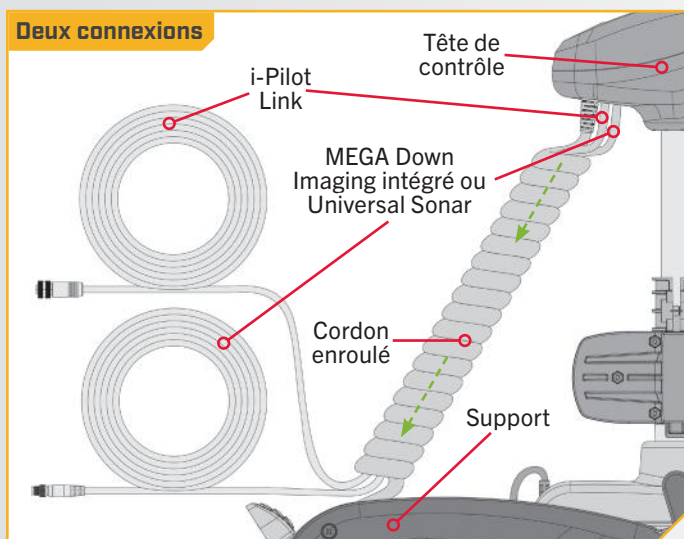
Deux connexions



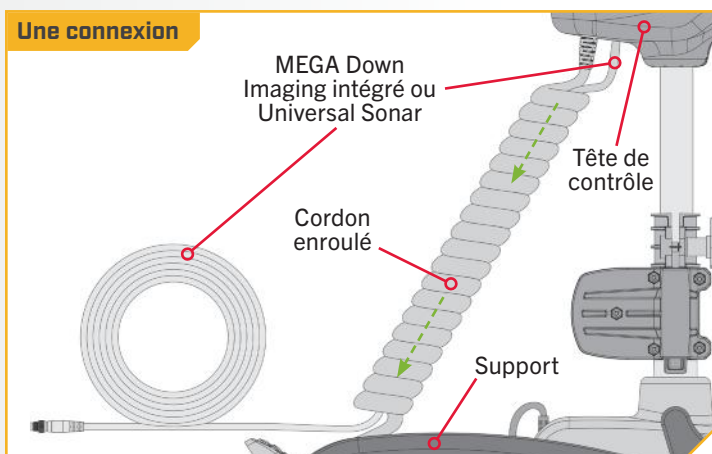
2

- Le(s) câble(s) doit ou doivent cheminer de part en part du cordon enroulé. Il(s) doit ou doivent sortir du cordon enroulé au bas de ce dernier, où il se connecte au support.

Deux connexions



Une connexion



AVIS : Après la sortie du ou des câble(s) du cordon enroulé, il(s) doit ou doivent être acheminé(s) au moyen d'un système d'acheminement établi sur le bateau, dans une zone offrant un minimum d'interférences. Câbles électriques ou autres éléments pouvant créer une interférence dans les signaux du sonar. Inspectez bien le chemin planifié pour vous assurer qu'il n'y a pas d'arêtes vives, d'obstacles ou d'obstructions qui pourraient endommager les câbles.

APERÇU DES CARACTÉRISTIQUES ET CONNEXION DES CÂBLES

APERÇU DES CARACTÉRISTIQUES ET CONNEXION DES CÂBLES

Le(s) câble(s) provenant de la tête de contrôle pour chaque caractéristique installée sur le moteur de pêche à la traîne est ou sont connecté(s) séparément à un dispositif de sortie. Une fois les caractéristiques installées identifiées, suivez les instructions ci-dessous pour vous assurer de la connexion appropriée du ou des câble(s).

› MEGA Down Imaging intégré

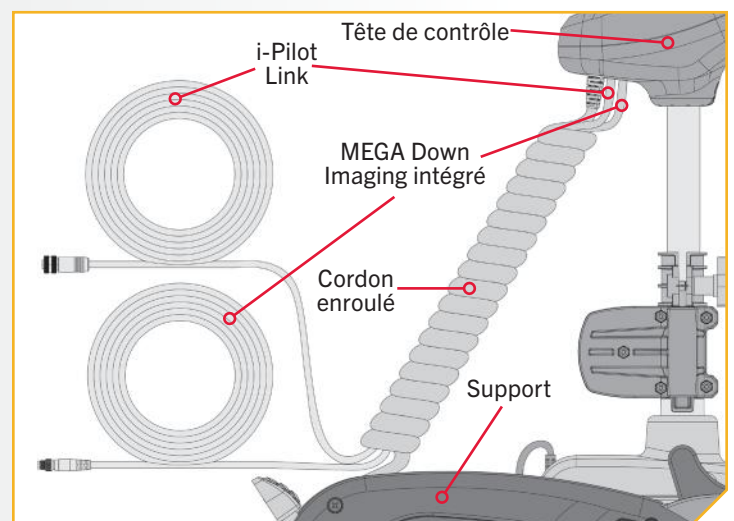
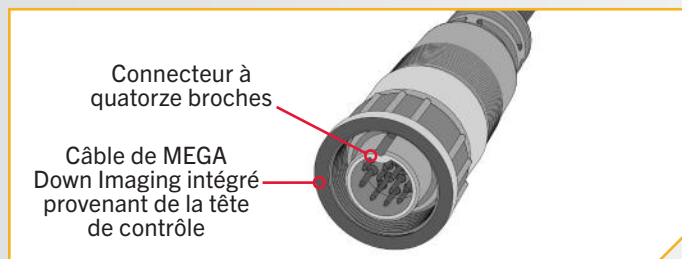
Le MEGA Down Imaging intégré est presque trois fois plus puissant que le Side Imaging^{MD} standard et dote la détection de poissons de sa toute première fréquence mégahertz. Les gammes de moteurs de pêche à la traîne Minn Kota haut de gamme, dont Ultrex, Ultrera, Terrova et Fortrex, possèdent maintenant le sonar MEGA Down Imaging intégré, l'imagerie la plus nette offerte uniquement par Humminbird. Grâce au sonar d'imagerie MEGA de Humminbird incorporé au moteur de pêche à la traîne, vous disposez maintenant d'une vue cristalline de tout ce qui se situe immédiatement sous le bateau sans avoir à gérer le câblage des transducteurs externes. Le transducteur MEGA Down Imaging (DI) intégré est offert uniquement sur les nouveaux modèles équipés à l'usine et ne peut être installé sur un moteur de pêche à la traîne existant.

Le transducteur MEGA DI intégré assure le MEGA Down Imaging et le sonar numérique 2D CHIRP pour certains modèles Humminbird. Tous les moteurs de pêche à la traîne avec MEGA DI intégré sont « prêts pour Apex et Solix » dès le déballage. Un accessoire de câble adaptateur (MKR-MDI-1 1852085 ou MKR-MDI-2 1852086) est offert à la vente et permet la connexion de tout détecteur de poissons Helix de Humminbird compatible. Le MKR-MDI-1 s'utilise sur les modèles Helix 8, 9, 10, 12 et 15. Le MKA-MDI-2 s'utilise seulement sur les modèles Helix 7 de Humminbird. Consultez le tableau [Compatibilité de MEGA Down Imaging intégré](#) en ligne.

AVIS : Vous ne pouvez afficher le Down Imaging qu'avec un modèle de série MEGA DI ou MEGA SI HELIX G2N, G3N ou G4N et un adaptateur requis, ou tout modèle de série SOLIX ou APEX. Le transducteur intégré ne peut pas assurer le MEGA Imaging pour les modèles Humminbird qui ne possèdent pas déjà la capacité. Si vous avez un G2/G2N, un G3/G3N HELIX autre qu'un modèle MEGA SI ou MEGA DI, le transducteur vous offrira tout de même le sonar numérique 2D CHIRP double spectre. Les unités SOLIX G1, HELIX G2 et G2N doivent fonctionner sur la toute dernière mise à jour logicielle pour pouvoir afficher le sonar à partir des moteurs avec le MEGA Imaging intégré. Vous pouvez obtenir en ligne la toute dernière version du logiciel pour votre détecteur de poissons sur humminbird.com. Les modèles HELIX G1 et les autres marques de détecteurs de poissons ne prennent pas en charge le MEGA Imaging intégré.

1

- Placez le moteur dans la position déployée.
- Le connecteur du MEGA Down Imaging intégré provenant de la tête de contrôle présente quatorze broches. Le MEGA Down Imaging intégré peut être installé seul ou conjointement avec un système i-Pilot ou i-Pilot Link. Il ne sera jamais installé avec un Universal Sonar. Localisez et identifiez la connexion appropriée pour le(s) câble(s) MEGA Down Imaging intégré, à la base de la tête de contrôle.



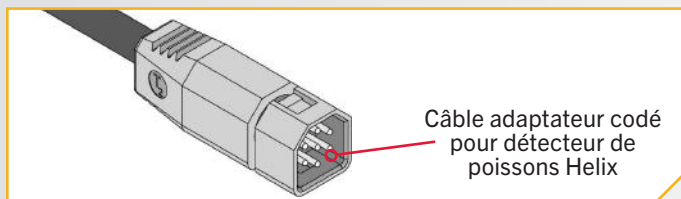
AVIS : Acheminement critique des câbles pour les moteurs 72 "et 60" avec i-Pilot Link et MEGA Down Imaging intégré. Les câbles accessoires doivent sortir du cordon enroulé en laissant au moins trois enroulements ouverts entre la sortie des câbles et la base du moteur; tel qu'assemblé par l'usine. En acheminant les câbles de toute autre manière, le moteur ne pourra pas être rangé correctement.

2

- c. **Lors d'une installation avec un Solix ou un Apex**, vous pouvez brancher directement le câble du MEGA Down Imaging intégré sur le détecteur de poissons Solix/Apex. Branchez le câble de MEGA Down Imaging intégré sur la connexion correspondante du détecteur de poissons Solix/Apex.
- d. **Lors d'une installation avec un Helix**, fixez d'abord le câble adaptateur et branchez-le ensuite sur le détecteur de poissons Helix. Le câble adaptateur ne présentera qu'une seule connexion codée à l'arrière du détecteur de poissons Helix. Branchez le câble adaptateur sur la seule connexion codée assortie.

AVIS : Vérifiez la compatibilité de tout câble adaptateur nécessaire sur minnkotamotors.com. Le câble provenant du moteur de pêche à la traîne peut être prolongé à l'aide d'une rallonge de 10 pi (env. 3 m), n° 720081-1 ou de 30 pi (env. 9 m), n° 720081-2 offerte sur humminbird.com.

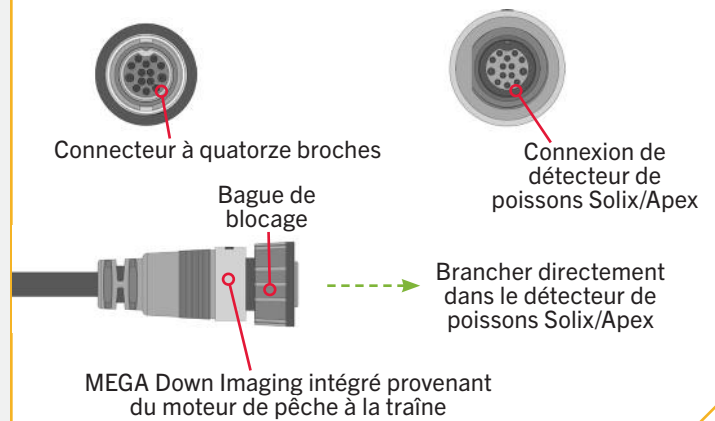
AVIS : Si vous devez acheminer un ou des câble(s), veuillez respecter les directives de la section Acheminement des câbles de connexion des présentes instructions d'installation.



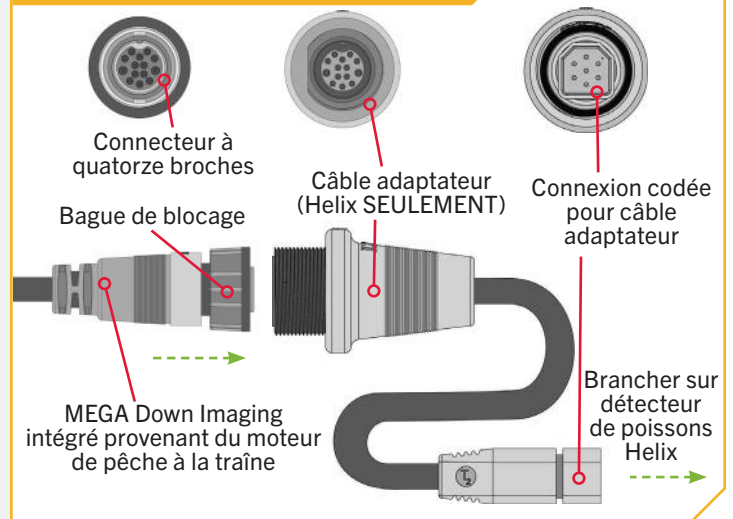
AVIS : Les connecteurs sont codés pour empêcher une installation en sens inverse.

AVIS : Le MEGA Down Imaging intégré est toujours jumelé avec un système i-Pilot ou i-Pilot Link sur les moteurs Terrova, Ulterra et Ultrex. Il peut être installé d'avance sur un moteur Fortrex sans les caractéristiques qui exigent une connexion externe.

Détecteur de poissons Solix ou Apex de Humminbird



Détecteur de poissons Humminbird Helix



› Universal Sonar

Un système de transducteur Universal Sonar peut être préinstallé sur votre moteur de pêche à la traîne. Le Universal Sonar est un transducteur sonar 2D, doté d'un capteur de température intégré dans le module inférieur du moteur de pêche à la traîne. Il se caractérise par une fréquence de fonctionnement de 83/200 kHz. La connexion de ce transducteur à un détecteur de poissons compatible vous offre une vue sonar 2D de ce qui se passe directement sous votre moteur de pêche à la traîne. La conception intégrée protège le transducteur des risques subaquatiques et empêche les torsions et les dommages causés aux câbles du transducteur.

UNIVERSAL SONAR

Tous les moteurs Universal Sonar sont équipés d'un fil de masse interne. Un mauvais raccordement risque de causer des interférences avec d'autres sonars et peut endommager votre moteur de pêche à la traîne, les composants électroniques ou les autres accessoires de votre bateau. Afin de réduire les interférences causées par le moteur électrique, assurez-vous que le détecteur de poissons et le moteur électrique sont actionnés par des batteries indépendantes. Veuillez vous reporter aux sections sur l'Installation de la batterie et du câblage et Câblage du moteur dans le présent manuel pour des directives sur le raccordement.

Les câbles de l'Universal Sonar sont blindés de sorte à réduire les interférences. Afin de protéger ce blindage, il est recommandé de ne pas serrer fermement les câbles contre des coins vifs ni des objets durs. Si des attaches de câble sont utilisées, évitez de trop serrer. Tout surplus de câble devrait être enlacé en une boucle lâche d'au moins 4 po (10 cm) de diamètre. Dans certains cas, des bulles d'air peuvent adhérer à la surface du transducteur Universal Sonar et avoir une incidence sur le rendement. Si cela se produit, essayez simplement la surface du transducteur à l'aide de votre doigt.

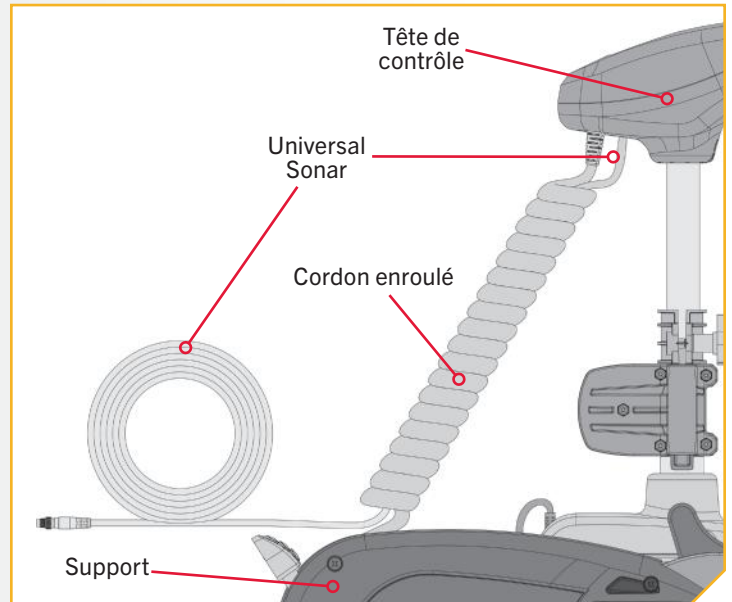
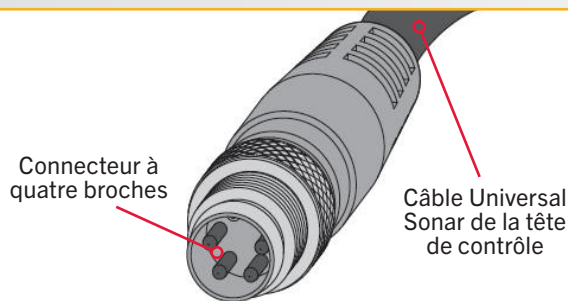
AVIS : L'Universal Sonar ne prend pas en charge les écrans d'imagerie qui nécessitent des fréquences supérieures telles que 455 kHz ou 800 kHz (Down Imaging, Side Imaging, etc.). Les modules spécifiques au « Down Imaging » (DI) ne sont pas compatibles avec l'Universal Sonar. Consultez le tableau de compatibilité publié à minnkotamotors.com pour une énumération de détecteurs de poissons compatibles.

Le connecteur du Universal Sonar sort sous la tête de contrôle du moteur de pêche à la traîne et est composé d'une fiche à quatre broches. Toutes les installations exigent un câble adaptateur (MKR-US2) vendu séparément. Pour obtenir une liste à jour des détecteurs de poissons compatibles et pour connaître le câble adaptateur approprié, ou pour obtenir de plus amples renseignements sur l'Universal Sonar, veuillez visiter minnkotamotors.com.

1

- Placez le moteur dans la position déployée.
- Localisez l'Universal Sonar à la base du montage, le cas échéant.
- Trouvez le connecteur à quatre broches de l'Universal Sonar à l'extrémité de la rallonge de l'Universal Sonar. Le connecteur est noir et est doté d'une bague de blocage fileté en acier inoxydable.

AVIS : Votre détecteur de poissons doit être éteint jusqu'à ce que cette procédure soit terminée.



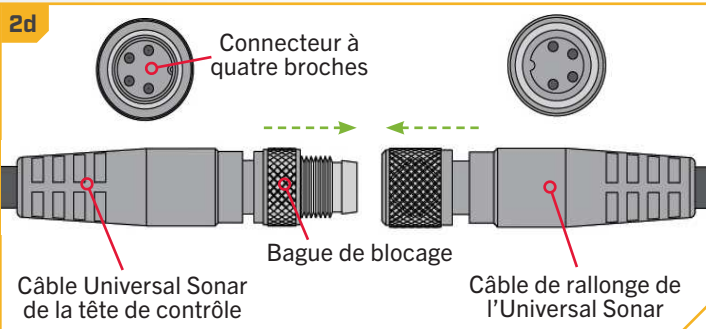
AVIS : Si la longueur du câble n'est pas suffisante pour atteindre l'emplacement désiré du détecteur de poissons, une rallonge d'une longueur de 14,5 pi (4,3 m) est offerte (MKR-US2-11) (vendue séparément).

2

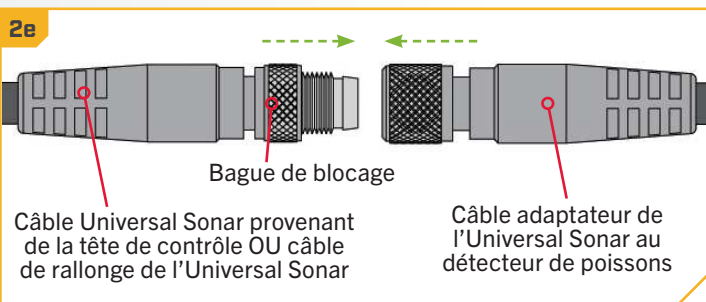
AVIS : Le câble de l'Universal Sonar pourrait ne pas être assez long pour atteindre le détecteur de poissons. Si le câble n'atteint pas l'emplacement d'installation voulu du détecteur de poissons, vous pouvez acheter une rallonge de 14,5 pi (4,42 m). Minn Kota recommande d'utiliser le MKR-US2-11.

- d. Si nécessaire, branchez le câble de rallonge de l'Universal Sonar sur le câble Universal Sonar provenant de la tête de contrôle. Raccordez fermement les fiches et tournez le mécanisme de verrouillage jusqu'à ce qu'il bloque.
- e. Installez le câble Universal Sonar provenant de la tête de contrôle, ou le câble de rallonge de l'Universal Sonar (si utilisé), au câble adaptateur approprié de l'Universal Sonar. Installez le câble adaptateur sur votre détecteur de poissons. Consultez le manuel de votre détecteur de poissons pour les directives d'installation complètes.

AVIS : Les connecteurs sont codés pour empêcher une installation en sens inverse.



AVIS : Si vous devez acheminer un ou des câble(s), veuillez respecter les directives de la section Acheminement des câbles de connexion des présentes instructions d'installation.



i-Pilot Link

L'i-Pilot Link permet à votre moteur de pêche à la traîne Minn Kota et Humminbird de communiquer ensemble afin de modifier votre méthode de pêche. L'i-Pilot Link offre une grande gamme de capacités GPS, dont contrôle de la vitesse, direction, Spot-Lock, ainsi que la capacité d'enregistrer ou de reproduire des itinéraires aquatiques, toutes du bout des doigts. Pour en savoir plus sur les capacités GPS offertes avec votre système de navigation i-Pilot Link, veuillez consulter le manuel du propriétaire en visitant minnkotamotors.com.

Le contrôleur et la télécommande i-Pilot Link constituent le système de navigation i-Pilot Link. La télécommande i-Pilot Link est couplée au contrôleur en usine. Le contrôleur i-Pilot Link contient une boussole très sensible et assure la réception de tous les signaux des satellites GPS et de la télécommande i-Pilot Link. Le contrôleur i-Pilot Link est intégré à la tête de contrôle du moteur de pêche à la traîne et est connecté à un détecteur de poissons par un câble de connexion provenant de la tête de contrôle.

AVIS : Le système i-Pilot Link nécessite une connexion externe câblée. Le système i-Pilot n'a pas besoin d'une connexion externe câblée.

Le câble Ethernet pour le système i-Pilot Link possède un connecteur à huit broches. Le système i-Pilot Link peut être connecté directement au Humminbird ou au commutateur Ethernet Humminbird (facultatif). Si vous achetez un commutateur Ethernet, installez-le conformément aux instructions incluses dans le guide d'installation Ethernet. La rallonge Ethernet est facultative pour votre installation. Pour acheter des commutateurs Ethernet, des câbles Ethernet et des rallonges, visitez humminbird.com ou téléphonez au service à la clientèle Humminbird au 1 800 633-1468. Selon la forme du port Ethernet de votre détecteur de poissons Humminbird, un câble adaptateur Ethernet supplémentaire (**câble adaptateur Ethernet AS EC QDE n° 720074-1 pour les détecteurs de poissons Helix**) peut être nécessaire pour l'installation. Consultez le manuel d'utilisation de votre détecteur de poissons, ou consultez le **tableau de compatibilité du i-Pilot Link** sur notre site Web, qui énumère toutes les unités Humminbird et cartes SC compatibles.

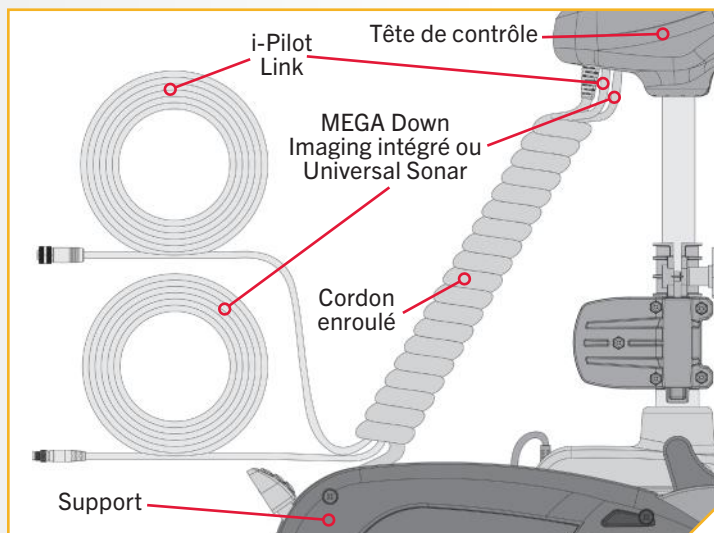
i-PILOT LINK

1

- Placez le moteur dans la position déployée.
- Le connecteur du i-Pilot Link provenant de la tête de contrôle possède huit broches. Localisez et identifiez la connexion appropriée pour l'i-Pilot Link à la base de la tête de contrôle.

AVIS : L'i-Pilot Link sera apparié soit avec le MEGA Down Imaging intégré ou l'Universal Sonar sur les moteurs Ultrex, Ultrera ou Terrova. La caractéristique i-Pilot Link n'est pas offerte sur les moteurs Fortrex.

AVIS : Acheminement critique des câbles pour les moteurs 72" et 60" avec i-Pilot Link et MEGA Down Imaging intégré. Les câbles accessoires doivent sortir du cordon enroulé en laissant au moins trois enroulements ouverts entre la sortie des câbles et la base du moteur; tel qu'assemblé par l'usine. En acheminant les câbles de toute autre manière, le moteur ne pourra pas être rangé correctement.



AVIS : Apparié à un connecteur d'Universal Sonar à des fins d'illustration. Il peut plutôt exister un connecteur de MEGA Down Imaging intégré.

2

ARTICLE(S) REQUIS

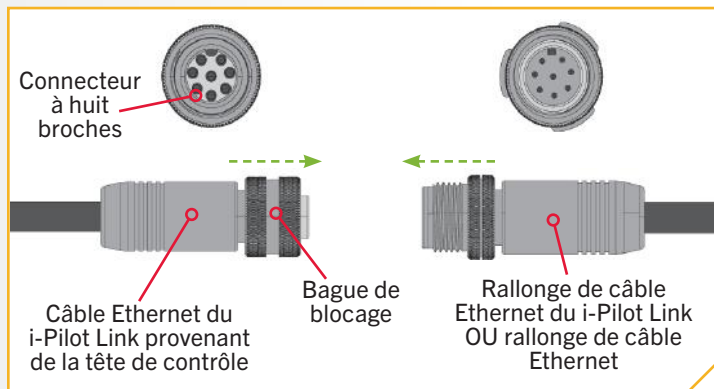


#12 x 1

- Si nécessaire pour atteindre le détecteur de poissons, fixez le câble Ethernet du i-Pilot Link (article n° 12) sur le câble i-Pilot Link provenant de la tête de contrôle.

AVIS : Si vous devez acheminer un ou des câble(s), veuillez respecter les directives de la section Acheminement des câbles de connexion des présentes instructions d'installation.

- Branchez le câble Ethernet du i-Pilot Link directement sur le détecteur de poissons Humminbird, ou consultez la notice d'installation de votre détecteur de poissons pour les directives d'installation complètes. Si un câble adaptateur (câble adaptateur Ethernet AS EC QDE pour les détecteurs de poissons Helix) s'avère nécessaire, branchez-le sur l'extrémité du câble Ethernet du i-Pilot Link et consultez la notice d'installation de votre détecteur de poissons pour les directives d'installation complètes.



AVIS : Les connecteurs sont codés pour empêcher une installation en sens inverse.

INSTALLATION DES BATTERIES ET DU CÂBLAGE

GRÉEMENT DE L'EMBARCATION ET INSTALLATION DU PRODUIT

Pour des raisons de sécurité et de conformité, nous vous recommandons de suivre les normes du conseil américain sur les embarcations et les yachts (ABYC) pour le gréement de l'embarcation. Les altérations dans le câblage de l'embarcation devraient être complétées par un technicien de marine qualifié. Les spécifications suivantes sont seulement des lignes directrices générales:

ATTENTION

Ces lignes directrices s'appliquent au gréement général pour soutenir le moteur de Minn Kota. L'alimentation de multiples moteurs ou d'autres appareils électriques, à partir du même circuit d'alimentation, peut influencer sur le gabarit de conducteurs et le dimensionnement des disjoncteurs recommandé. Pour un fil plus long que celui fourni avec l'appareil, suivre le tableau de dimensionnement de gabarit des conducteurs et des disjoncteurs du tableau ci-dessous. Si la longueur totale de la rallonge est de plus de 25 pi (7,60 m), nous vous recommandons de communiquer avec un technicien maritime qualifié.

ATTENTION

Un dispositif de protection contre la surintensité (disjoncteur ou fusible) doit être utilisé. Les préalables de la garde côtière exigent que chaque conducteur de courant, qui n'est pas fixé, soit protégé par un fusible ou un disjoncteur qui se réinitialise manuellement et qui ne peut se déclencher automatiquement. Le dimensionnement du type (courant et tension de puissance nominale) de fusible ou de disjoncteur doit être choisi en fonction du propulseur électrique utilisé. Le tableau ci-dessous donne les lignes directrices recommandées pour ce qui est du dimensionnement des disjoncteurs.

TABLEAU DES DIMENSIONS DE GABARIT DES CONDUCTEURS ET DISJONCTEURS

Le présent tableau des dimensions de gabarit des conducteurs et disjoncteurs est uniquement valable pour les hypothèses suivantes:

1. Il n'y a pas plus de 2 conducteurs qui sont regroupés à l'intérieur d'une gaine ou d'un conduit à l'extérieur de l'espace moteur.
2. Chaque conducteur est muni d'un isolant d'une température nominale de 105 °C.
3. Aucune chute de tension de plus de 5 % n'est autorisée lorsque le moteur est à plein régime, en fonction des exigences en matière d'alimentation du produit qui ont été publiées.

Modèle/ Poussée du Moteur	Courant Tiré Max	Disjoncteur	Longueur de la Rallonge				
			1.5 mètres	3 mètres	4.5 mètres	6 mètres	7.5 mètres
30 lb.	30	50 Amp @ 12 VDC	6 mm ²	6 mm ²	10 mm ²	16 mm ²	25 mm ²
40 lb., 45 lb.	42		6 mm ²	10 mm ²	16 mm ²	25 mm ²	25 mm ²
50 lb., 55 lb.	50	60 Amp @ 12 VDC	10 mm ²	16 mm ²	25 mm ²	25 mm ²	35 mm ²
70 lb.	42	50 Amp @ 24 VDC	6 mm ²	6 mm ²	10 mm ²	10 mm ²	16 mm ²
80 lb.	56	60 Amp @ 24 VDC	10 mm ²	10 mm ²	10 mm ²	16 mm ²	16 mm ²
101 lb.	46	50 Amp @ 36 VDC	10 mm ²	10 mm ²	10 mm ²	10 mm ²	10 mm ²
Engine Mount 101	50	60 Amp @ 36 VDC	10 mm ²	10 mm ²	10 mm ²	10 mm ²	10 mm ²
112 lb.	52	60 Amp @ 36 VDC	10 mm ²	10 mm ²	10 mm ²	10 mm ²	10 mm ²
Engine Mount 160	116	(2) x 60 Amp @ 24 VDC	16 mm ²	16 mm ²	25 mm ²	35 mm ²	35 mm ²
E-Drive	40	50 Amp @ 48 VDC	6 mm ²	6 mm ²	6 mm ²	6 mm ²	6 mm ²

AVIS : La longueur de la rallonge fait référence à la distance séparant les batteries des fils du propulseur électrique. Consultez le site Web pour connaître les options d'impulsion. Les valeurs d'intensité maximales ont lieu de manière intermittente durant certaines conditions et ne doivent pas être utilisées comme valeur nominale continue.

Référence
Le code des règlements fédéraux des États-Unis : article 183 du titre 33 du CFR - Embarcations et équipements associés ABYC E-11 : systèmes électriques CA et CC sur les embarcations.

SÉLECTIONNER UNE BATTERIE ADÉQUATE

COMMENT SÉLECTIONNER LES BATTERIES ADÉQUATES

Le moteur fonctionnera avec toute batterie marine plomb/acide à décharge profonde de 12 volts. Pour un meilleur résultat, utilisez une batterie marine à décharge profonde avec ampérage nominal d'au moins 105 ampères/heure. Maintenez la batterie complètement chargée. Un entretien adéquat fera en sorte que le courant sera disponible le moment venu et améliorera considérablement la durée de vie de la batterie. Le fait de ne pas recharger les batteries au plomb (dans les 12 à 24 heures) est la principale cause de défaillance prématurée de celles-ci. Utilisez un chargeur multiphase pour éviter une surcharge. Nous offrons une vaste sélection de chargeurs en fonction de vos besoins. Si vous utilisez une batterie à manivelle pour démarrer un moteur hors-bord à essence, nous vous recommandons d'utiliser des batteries marines à décharge profonde séparées pour votre propulseur électrique Minn Kota. Pour de plus amples informations sur la sélection et le grément de batterie, veuillez visiter minnkotamotors.com. Les moteurs de pêche à la traîne Minn Kota peuvent fonctionner avec des batteries au Lithium Ion. Cependant, ils sont spécifiquement conçus pour fonctionner avec des batteries plomb/ acide traditionnelles (AMG ou GEL). Les batteries au lithium Ion restent à des tensions supérieures pendant plus longtemps que les batteries plomb/acide. Par conséquent, lancer un moteur de pêche à la traîne Minn Kota à des vitesses supérieures à 85 % pendant une période prolongée risque d'endommager le moteur de façon permanente.

AVERTISSEMENT

Ne jamais brancher les bornes (+) et (-) de la même batterie ensemble. S'assurer qu'aucun objet métallique ne puisse tomber sur la batterie et provoquer un court-circuit aux bornes. Cela provoquerait immédiatement un court-circuit et un risque extrême d'incendie.

ATTENTION

Il est fortement recommandé d'utiliser un disjoncteur ou un fusible avec ce propulseur électrique. Consulter le « Tableau des dimensions de gabarit des conducteurs et disjoncteurs » dans la section précédente pour trouver le disjoncteur ou fusible approprié convenant à votre moteur. Pour les moteurs nécessitant un disjoncteur de 60-A, le disjoncteur Minn Kota MKR-19 60-A est recommandé.

ATTENTION

Veuillez lire les renseignements suivants avant de connecter votre moteur à vos batteries afin d'éviter d'endommager votre moteur ou d'annuler votre garantie.

AUTRES POINTS À CONSIDÉRER

› Utilisation de chargeurs-onduleurs

Votre moteur de pêche à la traîne Minn Kota peut être conçu avec un fil de masse interne pour réduire les interférences avec d'autres sonars. La plupart des systèmes de charge alternateurs ne tiennent pas compte de ce fil de masse et connectent les bornes négatives des batteries du moteur de pêche à la traîne aux bornes négatives de la batterie à manivelle/de démarrage. Ces connexions externes peuvent endommager les composants électroniques connectés ou le système électrique de votre moteur de pêche à la traîne et ainsi annuler votre garantie. Passez attentivement en revue le manuel de votre chargeur ou consultez son fabricant afin de vous assurer que votre chargeur est compatible avant de l'utiliser.

Minn Kota recommande l'utilisation de chargeurs de marque Minn Kota pour recharger les batteries connectées à votre propulseur électrique Minn Kota, étant donné qu'ils ont été conçus de sorte à fonctionner avec les moteurs dotés d'un fil de masse.

Accessoires Supplémentaires Connectés aux Batteries du Propulseur électrique

Votre moteur Minn Kota, les composants électroniques de votre bateau ou votre bateau peuvent subir des dommages importants si de mauvaises connexions ont été effectuées entre les batteries de votre propulseur électrique et un autre système de batterie. Minn Kota recommande d'utiliser un système de batterie exclusif pour votre propulseur électrique. Lorsque possible, les accessoires doivent être branchés sur un système de batterie séparé. Les radios et les sonars ne doivent être connectés à aucune batterie du propulseur électrique étant donné que les interférences provenant du propulseur électrique sont inévitables. Lorsque vous connectez un accessoire supplémentaire à l'une des batteries du propulseur électrique, ou lorsque vous effectuez des connexions entre les batteries du propulseur électrique et d'autres systèmes de batterie sur le bateau, assurez-vous de respecter attentivement les indications ci-dessous.

La connexion négative (-) doit être connectée à la borne négative de la même batterie à laquelle la borne négative du propulseur électrique est connectée. Sur le tableau, cette batterie est appelée batterie « côté inférieur ». La connexion à une autre batterie du propulseur électrique fera entrer une tension positive dans la « mise à la terre » de cet accessoire, pouvant causer une corrosion excessive. Tout dommage causé par de mauvaises connexions entre les systèmes de batterie ne sera pas couvert par la garantie.

SYSTÈMES DE DÉMARRAGE D'APPOINT ET COMMUTATEURS

Les systèmes de démarrage d'appoint et les commutateurs relient les bornes négatives des batteries connectées entre elles. La connexion de ces systèmes à la batterie "Côté Supérieur" ou à la batterie "Milieu" risque de causer d'importants dommages à votre propulseur électrique ou aux composants électroniques. La seule batterie du propulseur électrique qui peut être connectée de façon sécuritaire à un de ces systèmes est la batterie "Côté inférieur".

AVIS : Le fil de masse interne est doté d'un fusible de 3 A. Les mauvaises connexions décrites ci-dessus avec une intensité supérieure à 3 A feront sauter ce fusible et aucun autre dommage ne sera exposé. Si cela se produit, les interférences RF du propulseur électrique affectant les sonars et les autres composants électroniques seront plus significatives. Si le fusible saute, il faut trouver le mauvais raccordement et le résoudre avant de remplacer le fusible. Le fusible de rechange devrait être d'un courant de 3 A ou moins. Un fusible intact ne signifie pas un raccordement adéquat; d'importants dommages peuvent être causés par un câblage incorrect sans pour autant que le courant n'approche 3 A.

COMMENT RACCORDER LA BATTERIE

Systemes de 12 Volts

1. S'assurer que le moteur est coupé (sélecteur de vitesse sur « 0 »).
2. Raccorder le fil rouge positif (+) à la borne positive (+) de la batterie.
3. Raccorder le fil noir négatif (-) à la borne négative (-) de la batterie.



AVERTISSEMENT

Pour des raisons de sécurité, ne pas allumer le moteur jusqu'à ce que l'hélice soit dans l'eau. Si vous installez un raccordement en fil de plomb, respectez les polarités appropriées et suivez les instructions qui se trouvent dans votre manuel du propriétaire du bateau.

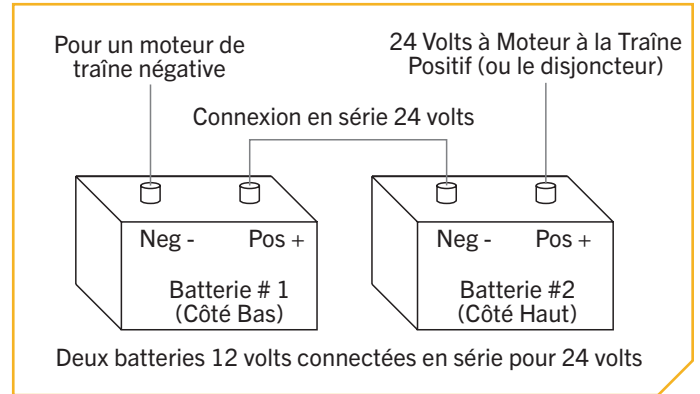
BRANCHER LES BATTERIES EN SÉRIE

BRANCHER LES BATTERIES EN SÉRIE [SI REUIS POUR VOTRE MOTEUR]

› Systèmes de 24 Volts

Deux batteries de 12 volts sont nécessaires. Les batteries doivent être branchées en série, uniquement tel qu'illustré dans le schéma de câblage, afin de fournir 24 volts.

1. Assurez-vous que le moteur est éteint (sélecteur de vitesse sur "0").
2. Branchez un câble de raccordement à la borne positive (+) de la batterie 1 et à la borne négative (-) de la batterie 2.
3. Branchez le fil rouge positif (+) à la borne positive (+) sur la batterie 2.
4. Branchez le fil noir négatif (-) à la borne négative (-) de la batterie 1.



AVERTISSEMENT

Pour des raisons de sécurité, ne pas allumer le moteur jusqu'à ce que l'hélice soit dans l'eau. Si vous installez un raccordement en fil de plomb, respectez les polarités appropriées et suivez les instructions qui se trouvent dans votre manuel du propriétaire du bateau.



AVERTISSEMENT

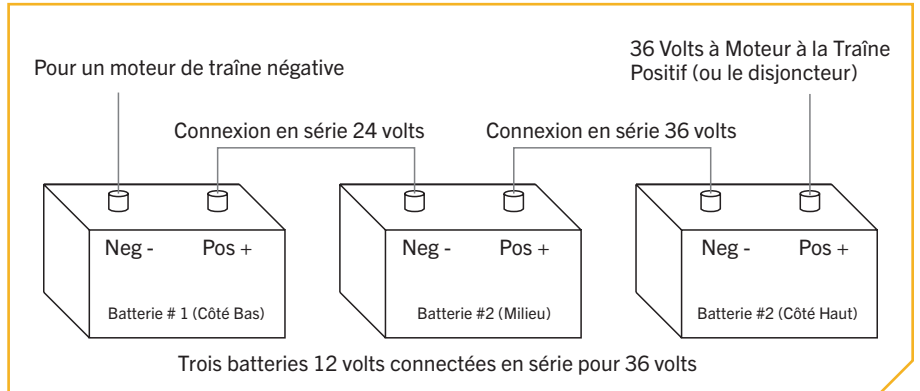
- Pour des raisons de sécurité, débranchez le moteur des batteries lorsque le moteur n'est pas utilisé ou pendant la charge.
- Une mauvaise installation du câblage des systèmes de 24/36 volts pourrait provoquer une explosion des batteries.
- Gardez les écrous papillons des raccordements solides et bien serrés autour des bornes de la batterie.
- Installez la batterie dans un compartiment ventilé.

BRANCHER LES BATTERIES EN SÉRIE

› Systèmes de 36 Volts

Trois batteries de 12 volts sont nécessaires. Les batteries doivent être branchées en série, uniquement tel qu'illustré dans le schéma de câblage, afin de fournir 36 volts.

1. Assurez-vous que le moteur est éteint (sélecteur de vitesse sur "0").
2. Branchez un câble de raccordement à la borne positive (+) de la batterie 1 et à la borne négative (-) de la batterie 2. Branchez autre câble de raccordement à la borne positive (+) de la batterie 2 et à la borne négative (-) de la batterie 3.
3. Branchez le fil rouge positif (+) à la borne positive (+) sur la batterie 3.
4. Branchez le fil noir négatif (-) à la borne négative (-) de la batterie 1.



AVERTISSEMENT

Pour des raisons de sécurité, ne pas allumer le moteur jusqu'à ce que l'hélice soit dans l'eau. Si vous installez un raccordement en fil de plomb, respectez les polarités appropriées et suivez les instructions qui se trouvent dans votre manuel du propriétaire du bateau.



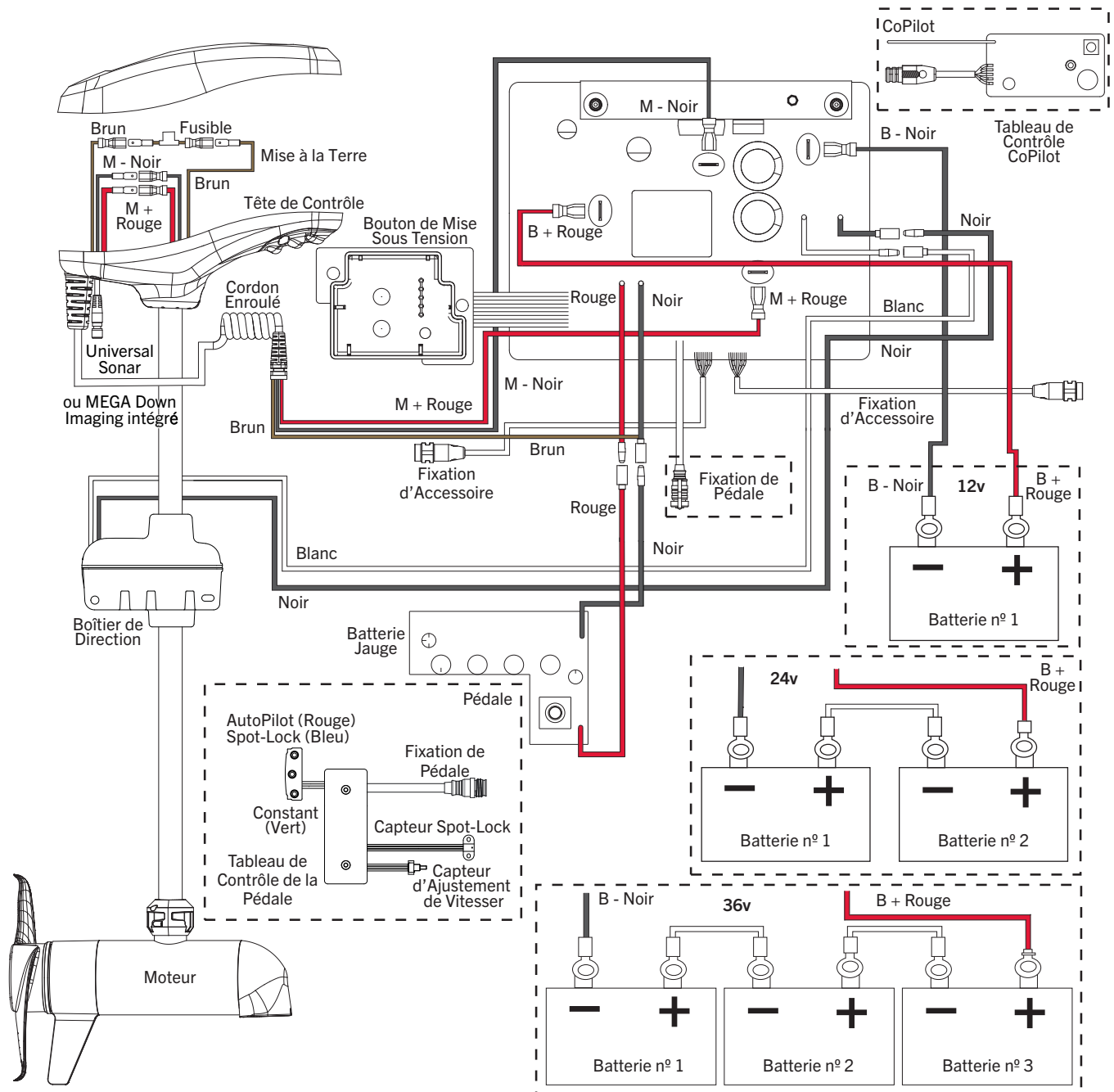
AVERTISSEMENT

- Pour des raisons de sécurité, débranchez le moteur des batteries lorsque le moteur n'est pas utilisé ou pendant la charge.
- Une mauvaise installation du câblage des systèmes de 24/36 volts pourrait provoquer une explosion des batteries.
- Gardez le serrage des écrous de papillon de raccordement solide et bien serré autour des bornes de la batterie.
- Installez la batterie dans un compartiment ventilé.

SCHÉMA DE CÂBLAGE DU MOTEUR

TERROVA

Le schéma de câblage de moteur suivant s'applique à tous les modèles Terrova qui ne sont pas livrés avec un système i-Pilot or i-Pilot Link installé en usine. Ce ne sont pas tous les modèles qui sont fournis avec un système Universal Sonar ou MEGA Down Imaging intégré. CoPilot peut être installé sur ces modèles, mais cette fonctionnalité pourrait ne pas avoir été déjà installée en usine.

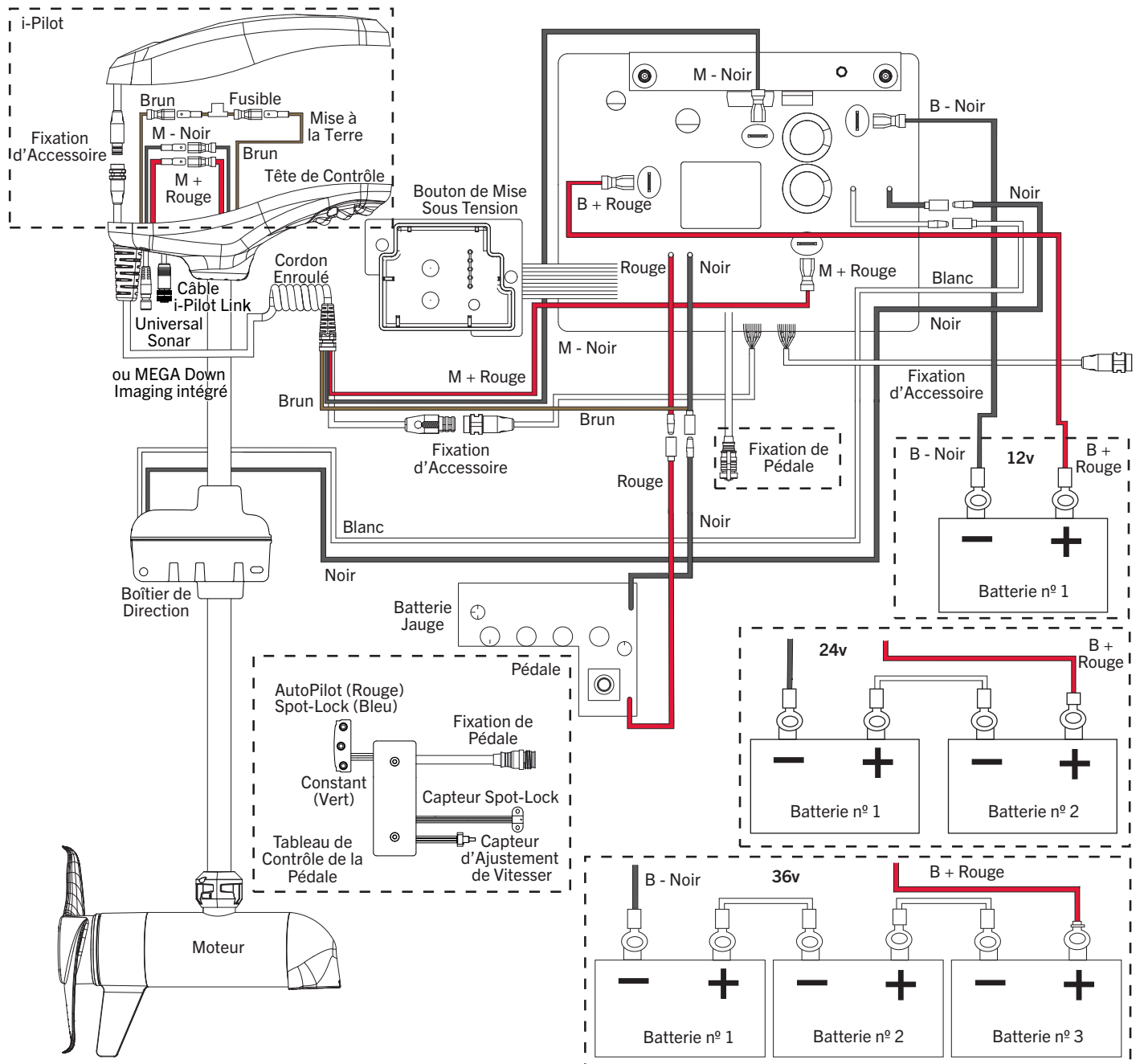


AVIS : Il s'agit d'un schéma multitenion. Revérifiez la tension de votre moteur afin d'effectuer les raccordements appropriés. Les dispositifs de protection contre la surintensité ne figurent pas dans cette illustration. Si équipé d'un système Universal Sonar ou MEGA Down Imaging intégré, veuillez visiter le site Web minnkotamotors.com pour des informations supplémentaires.

SCHÉMA DE CÂBLAGE DU MOTEUR

TERROVA AVEC TÉLÉCOMMANDE i-PILOT OU i-PILOT LINK

Le schéma de câblage de moteur suivant s'applique à tous les modèles Terrova livrés avec une télécommande i-Pilot ou i-Pilot Link installée en usine. Ce ne sont pas tous les modèles qui sont fournis avec un système Universal Sonar ou MEGA Down Imaging intégré.

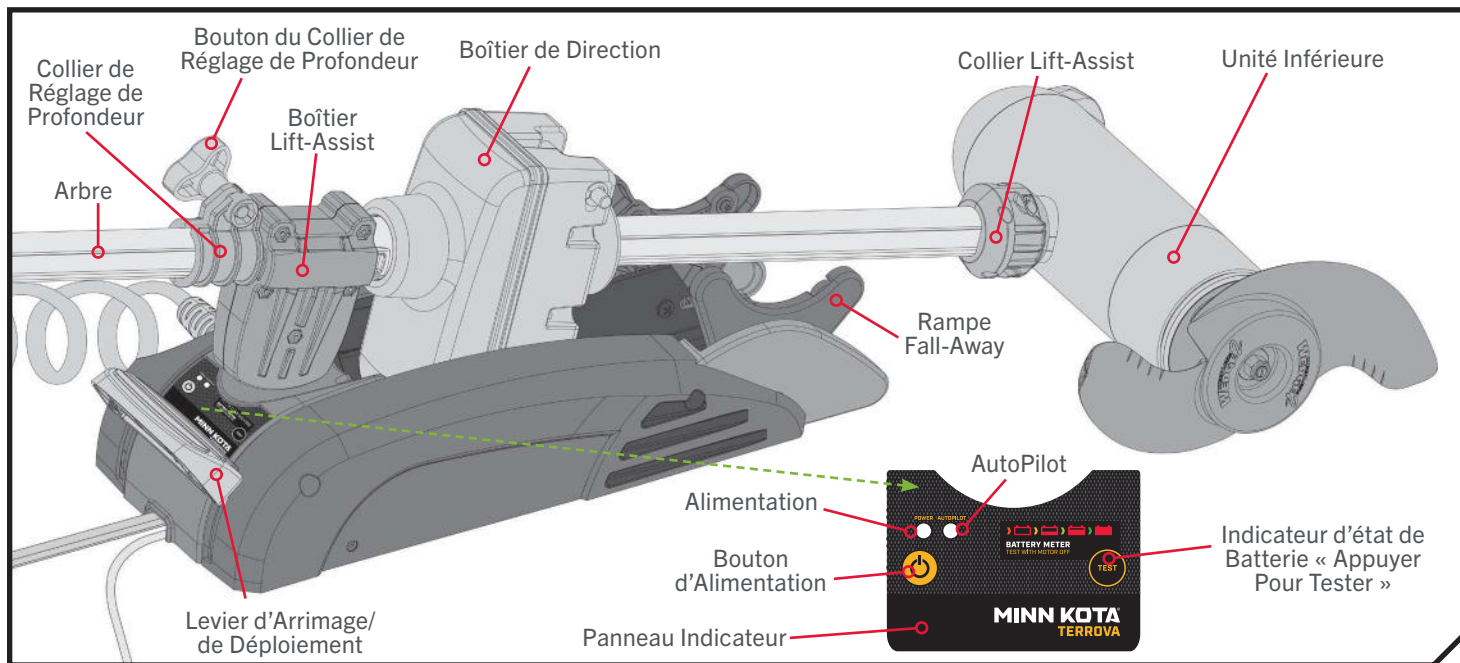


AVIS : Il s'agit d'un schéma multitension. Revérifiez la tension de votre moteur afin d'effectuer les raccordements appropriés. Les dispositifs de protection contre la surintensité ne figurent pas dans cette illustration. Si équipé d'un système Universal Sonar ou MEGA Down Imaging intégré, veuillez visiter le site Web minnkotamotors.com pour des informations supplémentaires.

UTILISATION ET RÉGLAGE DU MOTEUR

CARACTÉRISTIQUES DU SUPPORT

Prenez connaissance des fonctionnalités du moteur afin de maximiser les capacités qu'offre ce produit.



› Collier de Réglage de Profondeur et Bouton du Collier de Réglage de Profondeur

Le collier de réglage de profondeur est situé sur l'arbre au-dessus du boîtier Lift-Assist. Il sert à maintenir le moteur à la bonne profondeur lorsque ce dernier est déployé. Il sert aussi à maintenir l'unité inférieure en place en position arrimée, lorsqu'elle n'est pas utilisée et pendant le transport. Le bouton du collier de réglage de profondeur sert à serrer et à desserrer le collier de réglage de profondeur afin qu'il puisse être utilisé pour faire glisser l'arbre du moteur vers le haut et le bas.

⚠ AVERTISSEMENT

Lors du transport du moteur, il est important de placer le collier de réglage de profondeur complètement contre le boîtier Lift-Assist et de le serrer. Cette mesure assure un arrimage sécuritaire et maintient le moteur en place pendant le transport, car le moteur pourrait être soumis à des vibrations et à des chocs importants pendant le transport. Ne pas fixer le moteur pourrait causer une blessure ou des dommages à l'appareil.




› Rampes Fall-Away

Les rampes Fall-Away retiennent l'unité inférieure lorsque le moteur est arrimé et pivotent pour libérer l'unité inférieure lors de son déploiement. Lorsque le levier d'arrimage/de déploiement est enfoncé, il déverrouille la position des rampes Fall-Away et les rampes pivotent pour guider l'unité inférieure vers le support lorsque le moteur est arrimé.

⚠ AVERTISSEMENT

Lorsque vous arrimez ou déployez le moteur, gardez vos doigts loin de toutes les charnières et pièces mobiles ainsi que de tous les points de pivot.

› Bouton d'Alimentation



Le bouton Power  (mise en marche) est situé à la base du moteur sur le panneau indicateur du support. Le moteur Terrova doit être démarré et arrêté manuellement. Lorsque le moteur est démarré, l'indicateur de mise en marche est allumé en vert,  et cet indicateur est éteint lorsque le moteur est arrêté .

ARRIMAGE ET DÉPLOIEMENT DU MOTEUR

ATTENTION

Pour des raisons de sécurité, débranchez le moteur de la ou des batteries lorsque le moteur n'est pas utilisé ainsi que pendant la charge de la ou des batteries. Si le contrôle du moteur est laissé en marche et que la rotation de l'hélice est bloquée, cela peut endommager sérieusement le moteur.

› AutoPilot

L'indicateur AutoPilot (pilote automatique) est situé sur le panneau indicateur du support. Il est allumé en vert  lorsque le pilote automatique est engagé et il est éteint lorsque  le pilote automatique n'est pas engagé.

› Levier d'Arrimage/de Déploiement

Le levier d'arrimage/de déploiement est situé au haut du support. Le levier d'arrimage/de déploiement déverrouille les rampes Fall-Away, qui pivotent afin de guider l'unité inférieure. Le levier d'arrimage/de déploiement doit être abaissé pour l'activer.

ARRIMAGE ET DÉPLOIEMENT DU MOTEUR

› Pour Déployer le Moteur

Desserrez le collier de réglage de profondeur, puis appuyez fermement sur le levier d'arrimage/de déploiement pour relâcher le collier Lift-Assist et glissez le moteur vers l'avant, hors de la rampe Fall-Away. Abaissez le moteur à la profondeur désirée. Assurez-vous qu'il s'enclenche en position verticale, de façon sécuritaire. Une fois qu'il est à la profondeur désirée, faites glisser le collier de réglage de profondeur contre le boîtier Lift-Assist et serrez-le.

› Pour Arrimer le Moteur

Desserrez le collier de réglage de profondeur et appuyez sur le levier d'arrimage/de déploiement. Levez le moteur en tirant sur l'arbre ou sur la tête de contrôle. Tirez le moteur vers la poupe jusqu'à ce qu'il soit appuyé solidement sur la rampe Fall-Away et que les rampes Fall-Away capturent l'unité inférieure. Glissez le collier de réglage de profondeur vers le bas et fixez-le contre la partie supérieure du boîtier Lift-Assist pour fixer le moteur en place et empêcher un déploiement accidentel.

INDICATEUR D'ÉTAT DE BATTERIE « APPUYER POUR TESTER »

Ce moteur est muni d'un indicateur d'état de batterie « Appuyer pour tester ». Les DEL se trouvent sur le panneau indicateur situé sur le support du moteur. L'indicateur d'état de batterie fournit un affichage précis de la charge restante dans la batterie. Il est uniquement précis lorsque le moteur est coupé. Voici comment lire l'indicateur :

- Un voyant indique la recharge.
- Deux voyants indiquent une faible charge.
- Trois voyants indiquent une bonne charge.
- Quatre voyants indiquent une pleine charge.

AVERTISSEMENT

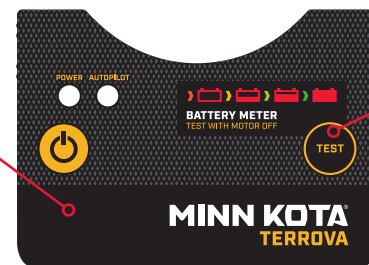
Lorsque vous arrimez ou déployez le moteur, gardez vos doigts loin de toutes les charnières et pièces mobiles ainsi que de tous les points de pivot.

AVERTISSEMENT

La tête de contrôle formera un point de pincement si le bouton du collier de réglage de profondeur est desserré et que la tête de contrôle glisse sur le dessus du collier de réglage de profondeur. Saisissez l'arbre et empêchez-le de glisser jusqu'en bas pour prévenir le point de pincement.

Utilisez de bonnes pratiques ergonomiques lorsque vous arrimez et déployez le moteur afin de prévenir les blessures.

Panneau
Indicateur



Indicateur
d'État de
Batterie
« Appuyer
Pour Tester »

AVERTISSEMENT

Les pièces mobiles peuvent couper ou écraser. Le boîtier Lift-Assist peut se détacher du boîtier de direction et causer un danger d'écrasement. Gardez vos doigts loin des pièces mobiles.

RÉGLAGE DE LA PROFONDEUR DU MOTEUR

AJUSTEMENT DU MOTEUR >

RÉGLAGE DE LA PROFONDEUR DU MOTEUR

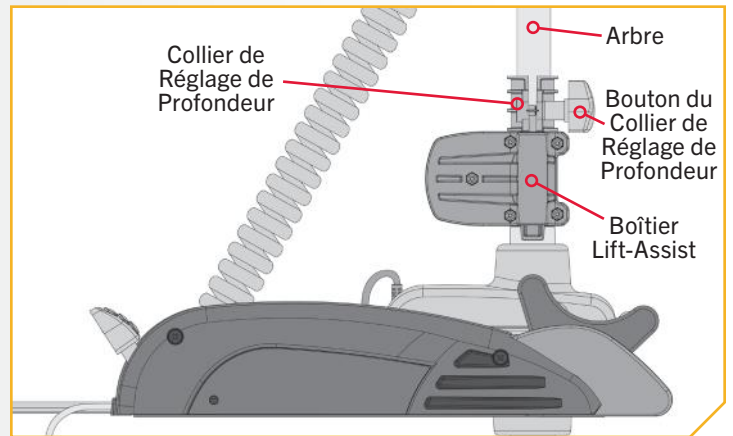
Une fois que le bateau est sur l'eau, il peut être nécessaire d'ajuster l'unité inférieure afin d'obtenir une profondeur qui maximisera la performance du moteur. Au moment du réglage de la profondeur, s'assurer que le haut du moteur est immergé à au moins 12 po (30,5 cm) afin d'éviter de brasser ou d'agiter l'eau à la surface.

- 1 a. Avec le moteur en position déployée, localisez le collier de réglage de profondeur sur l'arbre au-dessus du boîtier Lift-Assist.
- b. En tenant l'arbre, desserrez le bouton du collier de réglage de profondeur jusqu'à ce que l'arbre glisse librement vers le haut et le bas.



AVERTISSEMENT

La tête de contrôle formera un point de pincement si le bouton du collier de réglage de profondeur est desserré et que la tête de contrôle glisse sur le dessus du collier de réglage de profondeur. Saisissez l'arbre et empêchez-le de glisser jusqu'en bas pour prévenir le point de pincement.



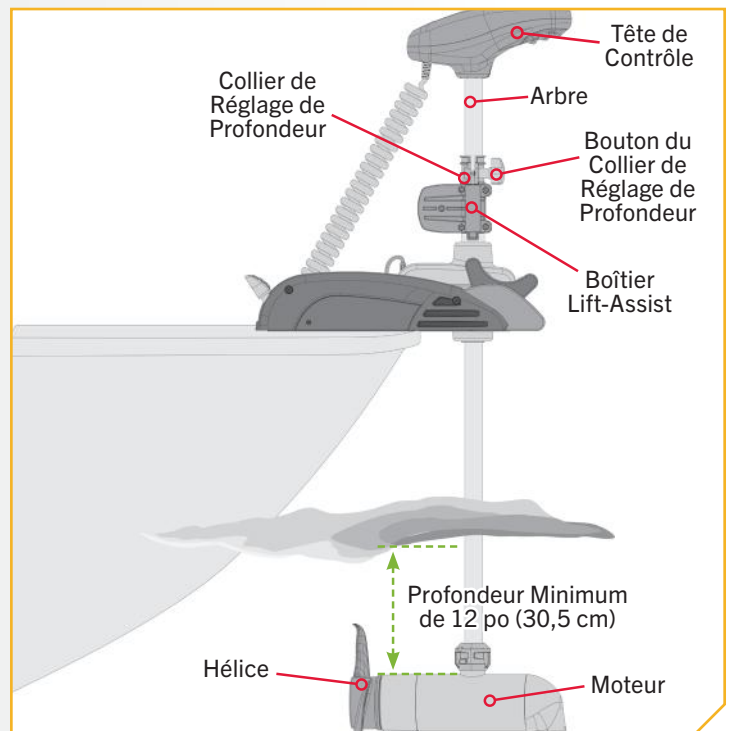
- 2 c. Remontez ou abaissez le moteur à la profondeur désirée.
- d. Tournez la tête de contrôle du moteur à la position désirée.
- e. Faites glisser le collier de réglage de profondeur contre le boîtier de direction et serrez le bouton du collier de réglage de profondeur pour fixer le moteur en place.

AVIS : Au moment du réglage de la profondeur, assurez-vous que le haut du moteur est immergé d'au moins 12 po (30,5 cm) afin d'éviter de brasser ou d'agiter l'eau à la surface.



AVERTISSEMENT

Le boîtier Lift-Assist contient un ressort qui peut se briser en cas d'usure excessive. Faites attention aux pointes aiguës qui peuvent présenter un risque de perforation. Manipulez toujours le moteur avec prudence.



AJUSTEMENT DE L'UNITÉ INFÉRIURE POUR UN ARRIMAGE SÛR

AJUSTEMENT DE L'UNITÉ INFÉRIURE POUR UN ARRIMAGE SÛR

Lorsque le moteur est arrimé, l'unité inférieure doit reposer sur les rampes Fall-Away, qui font partie du support du moteur. Il est recommandé de fixer le moteur en suivant ces instructions pour éviter d'endommager le moteur et l'arbre par les vibrations produites lors du transport.

1

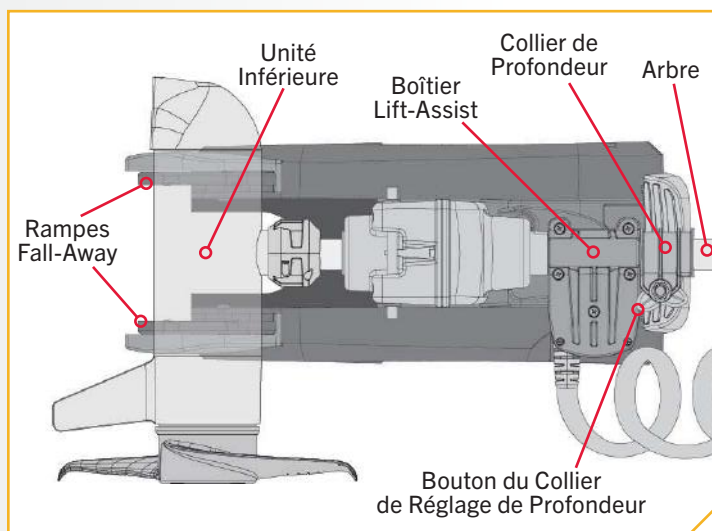
- Avant de transporter le bateau sur l'eau ou la terre, arrimez le moteur pour déterminer l'endroit où l'unité inférieure repose sur les rampes Fall-Away.

AVIS : Une bonne position de l'unité inférieure la placera directement sur les rampes Fall-Away.

- Si l'unité inférieure ne repose pas sur les rampes Fall-Away, déployez le moteur et arrimez-le à nouveau.
- Veillez à appuyer sur le levier d'arrimage/ de déploiement et à ajuster le moteur pour lui permettre de reposer sur les rampes Fall-Away.

ATTENTION

L'unité inférieure doit être posée sur les rampes de montage chaque fois que le moteur est transporté. Si l'unité inférieure est mal placée, soit au-dessus ou au-dessous de l'aire d'appui du moteur, l'unité inférieure ou l'arbre seront endommagés, et l'arbre ne sera pas bien saisi. Ne pas placer l'unité inférieure comme recommandé risque d'endommager le produit et d'annuler la garantie de ce dernier.



AVIS : Glissez le collier de réglage de profondeur vers le bas et fixez-le contre la partie supérieure du boîtier de direction lorsqu'en position arrimée, pour tenir le moteur en place et empêcher un déploiement accidentel.

AVERTISSEMENT

Lors du transport du moteur, il est important de placer le collier de réglage de profondeur complètement contre le boîtier Lift-Assist et de le serrer. Cette mesure assure un arrimage sécuritaire et maintient le moteur en place pendant le transport, car le moteur pourrait être soumis à des vibrations et à des chocs importants pendant le transport. Ne pas fixer le moteur pourrait causer une blessure ou des dommages à l'appareil.

INSTALLATION D'UN TRANSDUCTEUR EXTERNE

INSTALLATION D'UN TRANSDUCTEUR EXTERNE

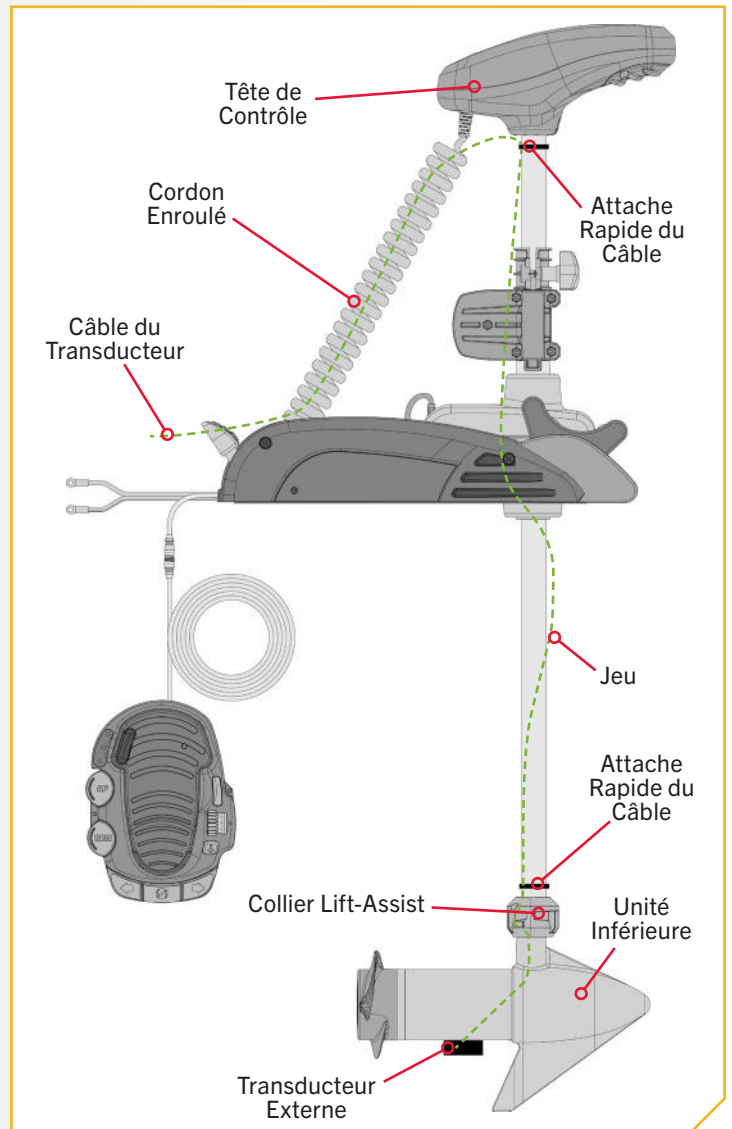
Un système de transducteur Universal Sonar peut être préinstallé sur votre moteur de pêche à la traîne. Pour connaître la compatibilité et obtenir de plus amples informations sur l'Universal Sonar, veuillez visiter le site minnkotamotors.com. Aucun transducteur externe n'est inclus avec votre moteur de pêche à la traîne. On peut installer un transducteur externe sur le moteur.

1

- Installez le transducteur externe conformément aux instructions fournies avec le transducteur.
- Laissez suffisamment de jeu dans le câble du transducteur entre l'unité inférieure et la tête de contrôle pour que le moteur puisse être bien arrimé et déployé.
- Utilisez deux attaches rapides pour fixer le câble du transducteur à l'arbre juste au-dessus du collier Lift-Assist et juste au-dessous de la tête de contrôle.
- Faites passer le câble du transducteur au travers du cordon enroulé jusqu'à l'alimentation.

ATTENTION

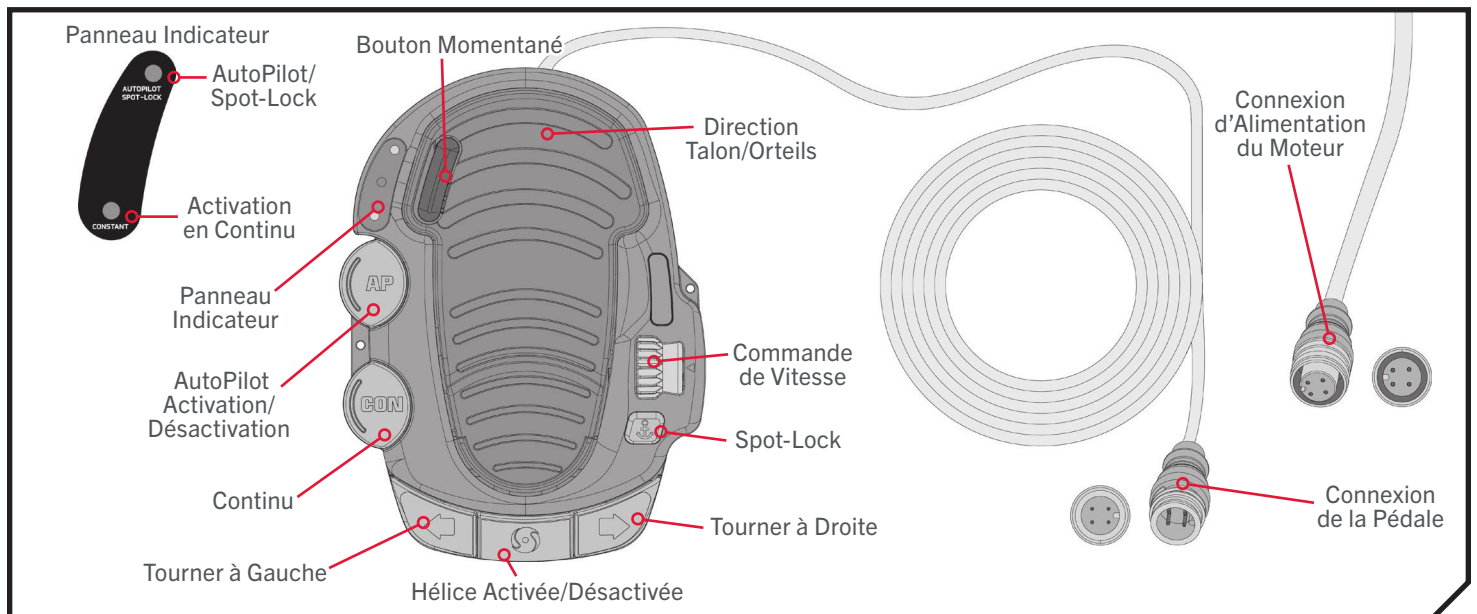
Le défaut de suivre l'acheminement de fil recommandé pour les câbles du transducteur externe peut causer des dommages au produit et annuler sa garantie. Assurez-vous de bien tester la longueur et la position du câble pour vérifier qu'il y a suffisamment de jeu là où nécessaire et que les câbles ne s'emmêleront pas dans des pièces mobiles. Le fait d'acheminer les câbles d'une tout autre façon que celle dictée peut entraîner des dommages aux câbles par un pincement ou sectionnement.



UTILISATION DE LA PÉDALE

CONTRÔLE DE LA VITESSE ET DE LA DIRECTION AVEC LA PÉDALE



La pédale sert à opérer le moteur, et les contrôles sur la pédale sont faciles à faire fonctionner avec la main ou le pied. Une légère pression suffit. Le moteur peut aussi être contrôlé par une télécommande i-Pilot ou i-Pilot Link, ainsi qu'avec toute commande à distance Minn Kota compatible. Veuillez vous reporter au manuel *i-Pilot*, *i-Pilot Link* ou de toute autre télécommande compatible pour savoir comment commander le moteur à distance. Pour en apprendre davantage sur les accessoires compatibles avec le Terrova, veuillez visiter minnkotamotors.com.



› Vitesse du Moteur

Le bouton de commande de vitesse est situé sur le côté droit de la pédale, au-dessus du bouton Spot-Lock. Tournez le bouton de commande de vitesse vers l'avant pour augmenter la vitesse et vers l'arrière pour la diminuer. Le bouton de commande de vitesse peut être réglé sur une plage de 0 à 10. La vitesse peut aussi être ajustée à l'aide de la commande à distance.

› Spot-Lock

Le bouton Spot-Lock  se trouve en bas à droite de la pédale et est identifié par le symbole d'une ancre. Lorsque le bouton Spot-Lock est enfoncé, l'emplacement du moteur est enregistré dans une mémoire temporaire. Le témoin bleu  près de l'étiquette Spot-Lock sur le panneau indicateur s'allume lorsque le Spot-Lock est engagé. Pour engager le Spot-Lock, appuyez sur le bouton Spot-Lock, pour le désengager, appuyez de nouveau sur le bouton Spot-Lock. Lorsque le Spot-Lock est engagé, une tonalité est émise. Lorsqu'il est désengagé par le bouton Spot-Lock, aucune tonalité n'est émise. Diriger le moteur avec la pédale ou ajuster la vitesse à l'aide du bouton des vitesses annulera le Spot-Lock et trois tonalités haute-basse seront émises. Le Spot-Lock peut aussi être contrôlé par la commande à distance. Pour des directives plus précises sur l'utilisation du use Spot-Lock, veuillez consulter le manuel du *i-Pilot* ou *i-Pilot Link*.



AVERTISSEMENT

Vous êtes responsable de l'utilisation prudente et sécuritaire de votre bateau. Nous avons conçu Terrova pour qu'il soit un outil précis et fiable qui vous permettra d'améliorer l'utilisation de votre bateau et d'accroître votre capacité de pêcher des poissons. Ce produit ne vous exonère pas de la responsabilité de naviguer en toute sécurité avec votre bateau. Vous devez éviter les dangers liés à la navigation et toujours exercer une veille permanente afin de pouvoir réagir au fur et à mesure que les situations se présentent. Vous devez toujours être prêt à reprendre le contrôle manuel de votre bateau. Apprenez à utiliser votre Terrova dans une zone exempte de dangers et d'obstacles.


Pour éviter les blessures, utilisez de bonnes pratiques ergonomiques lorsque vous utilisez la pédale.

UTILISATION DE LA PÉDALE



› Direction à Droite/Direction à Gauche

Les boutons Direction à droite  et Direction à gauche  sont situés en bas de la pédale. Ils permettent de tourner à droite et à gauche. Si vous tenez le bouton Direction à droite ou à gauche enfoncé, le moteur continuera à tourner vers la droite ou vers la gauche. De petits changements de direction de moins d'un degré peuvent être effectués en appuyant rapidement sur les boutons de Direction à droite/gauche. La position et la direction de la tête du gouvernail correspondent directement à la position du moteur. Vous pouvez également commander la direction du moteur avec la télécommande.

› Hélice Activée/Désactivée



Le bouton Hélice activée/désactivée  est situé en bas au centre de la pédale. Il permet d'activer et de désactiver l'hélice. L'hélice se met en marche lorsqu'une pression est appliquée et s'arrête lorsque la pression sur le bouton est enlevée.

› Continu

Le bouton Continu  est situé sur le côté gauche de la pédale, dans la partie inférieure, juste sous le bouton AutoPilot. Il permet de faire basculer le moteur entre le fonctionnement continu du moteur et le fonctionnement momentané du moteur. Le témoin vert  de fonctionnement continu sur le panneau indicateur s'allume lorsque le moteur est en mode de fonctionnement continu. En mode continu, l'hélice fonctionne continuellement, peu importe si de la force est appliquée sur le bouton Momentané ou sur le bouton Hélice activée/désactivée. En mode de fonctionnement continu, l'hélice tourne continuellement à la vitesse programmée par le bouton de commande de vitesse, ou par la télécommande i-Pilot ou i-Pilot Link.

Si une hélice rencontre une obstruction en mode en rappel ou constante, alors qu'elle tourne, l'augmentation de la demande de courant électrique générée par l'obstruction signalera au moteur de réduire la puissance à l'hélice pour prévenir les dommages. Si la surcharge courante est détectée pendant plus de 20 secondes, l'hélice sera désactivée pour prévenir un dommage au moteur. Dans ce cas, l'opérateur peut remettre l'hélice en marche après avoir dégagé l'obstruction.

› AutoPilot

Le bouton AutoPilot  sur le côté gauche, au centre de la pédale. Le bouton AutoPilot permet d'activer et désactiver le pilote automatique sur les moteurs équipés de cette fonction. Le témoin rouge  près de l'icône AutoPilot sur le panneau indicateur s'allume lorsque cette fonction est engagée. Lorsque le mode AutoPilot est initié depuis la pédale, le mode AutoPilot par défaut est déterminé par la télécommande. La fonction AutoPilot peut être engagée et désengagée à l'aide de la télécommande. Pour des directives plus précises sur l'utilisation de la fonction AutoPilot, veuillez consulter soit le manuel i-Pilot ou i-Pilot Link. L'indicateur AutoPilot sur le support sera également allumé lorsque le pilote automatique est engagé.

› Momentané

En mode de fonctionnement momentané, le moteur fonctionne seulement lorsqu'une force vers le bas est appliquée sur le bouton Momentané. Le bouton Momentané est sur l'extrémité correspondant aux orteils de la pédale de direction. Appliquez une pression vers le bas sur le bouton Momentané pour activer l'hélice. Le moteur tournera alors à la vitesse programmée sur le bouton de vitesse ou la télécommande. Si la pression sur le bouton Momentané est enlevée, l'hélice s'arrête. Aucun témoin n'est associé au bouton Momentané. Le bouton Momentané fonctionne de façon très semblable au bouton Hélice activée/désactivée.

› Direction Talon/Orteils

Appuyez sur le côté orteils sur la pédale pour tourner à droite et appuyez sur le côté talon pour tourner à gauche. La position et la direction de la tête de contrôle correspondent directement à la position du moteur. Vous devez garder votre pied sur la pédale pour contrôler la direction du bateau pendant le fonctionnement manuel. Vous pouvez également commander la direction du moteur avec la télécommande.

› Marche Arrière

L'hélice tourne toujours dans la direction avant. Vous pouvez inverser la direction de la propulsion en tournant le moteur à 180°.

ATTENTION

Le système de direction est conçu pour faire pivoter le moteur à 360 degrés. Faites attention de ne pas trop enrouler le cordon spiralé autour de l'arbre du moteur de pêche à la traîne. Un enroulement excessif du cordon enroulé risque de l'endommager et d'empêcher le fonctionnement.

AVIS : Le moteur ne corrigera pas automatiquement pour piloter tout droit lorsqu'il rencontre une obstruction.

SERVICE ET ENTRETIEN

REPLACEMENT DE L'HÉLICE

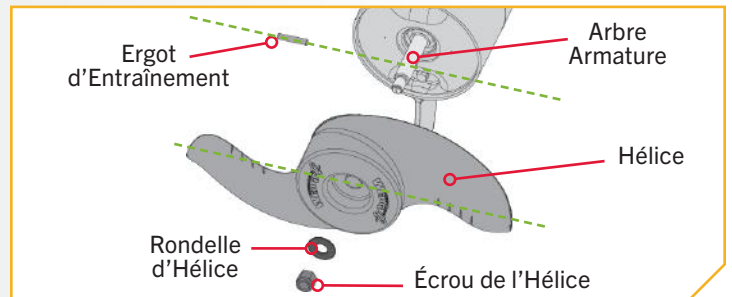
OUTILS ET RESSOURCES NÉCESSAIRES >

- Clé plate 9/16 po (14,29 mm)
- Tournevis à lame plate

INSTALLATION >

- a. Débrancher le moteur de toute source d'alimentation avant de changer l'hélice.
 - b. Maintenez l'hélice et desserrez l'écrou de l'hélice à l'aide d'une pince ou d'une clé.
 - c. Retirez l'écrou et la rondelle de l'hélice.

AVIS : Si l'ergot d'entraînement est cisailé ou cassé, tenez l'arbre stable à l'aide d'une lame de tournevis enfoncée dans la fente à l'extrémité de l'arbre pendant que vous desserrez l'écrou de l'hélice.



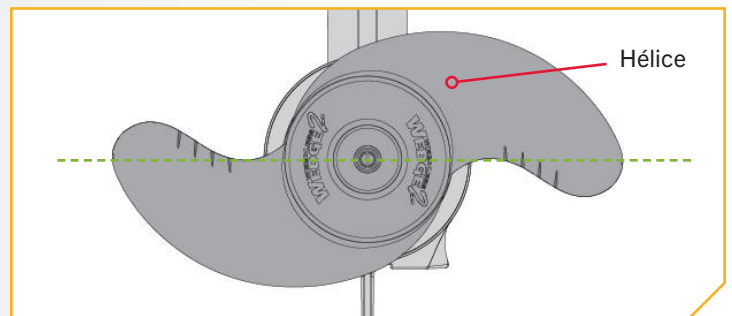
⚠ ATTENTION

Débranchez le moteur de la batterie avant d'effectuer tout travail ou entretien sur l'hélice.

- d. Tournez la vieille hélice à l'horizontale, puis la retirer à la verticale. Si l'ergot d'entraînement tombe, repoussez-le vers l'intérieur.

⚠ ATTENTION

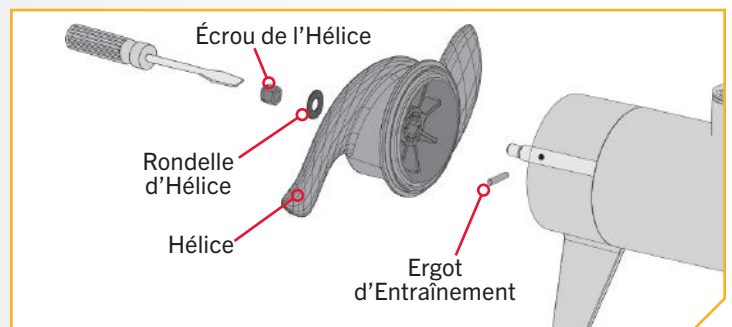
Si l'hélice ne glisse pas facilement, tirez sur l'hélice de manière égale en faisant attention à ne pas plier l'arbre armature tout en retirant l'hélice hors de l'arbre armature.



- e. Alignez la nouvelle hélice avec l'ergot d'entraînement.
 - f. Installez la rondelle et l'écrou de l'hélice.
 - g. Serrez l'écrou de l'hélice 1/4 de tour passé le serrage confortable à 25-35 po-lb (2,8-4 Nm).

⚠ ATTENTION

Ne pas trop serrer pour ne pas endommager l'hélice.



SERVICE ET ENTRETIEN

ENTRETIEN GÉNÉRAL

- Après utilisation, le moteur en entier devrait être rincé avec de l'eau douce. Cette série de moteurs ne peut pas être exposée à l'eau salée.
- L'arbre composite nécessite un nettoyage périodique et de lubrification pour le retrait et le déploiement approprié. Un revêtement d'une pulvérisation aqueuse à base de silicone va améliorer le fonctionnement.
- L'hélice doit être inspectée et les algues et lignes de pêche ôtées, toutes les 20 heures de fonctionnement. Les lignes de pêche et les algues peuvent se retrouver derrière l'hélice, endommager les joints et permettre à l'eau d'entrer dans le moteur.
- Chaque fois que le moteur est utilisé, assurez-vous que l'écrou de l'hélice est fixé solidement.
- Afin de prévenir les dommages accidentels, lors du transport ou de l'entreposage, débranchez la batterie lorsque le moteur est hors de l'eau. Pour un entreposage prolongé, enduisez légèrement toutes les parties métalliques avec un protecteur à base de silicone aqueux.
- Pour profiter de la durée de vie maximale de la batterie, rechargez la ou les batteries dès que possible après utilisation. Pour une performance maximale du moteur, rechargez la batterie complètement avant de l'utiliser.
- Gardez les bornes de la batterie propres à l'aide de papier sablé fin ou de toile d'émeri.
- L'hélice est conçue pour fonctionner en repoussant les algues avec un niveau d'efficacité très élevé. Pour maintenir ce haut rendement, la pointe des lames doit être gardée lisse. Si elles sont rugueuses ou ébréchées dues au fait de l'utilisation, rendez-les lisses de nouveau à l'aide de papier sablé fin.

DÉPANNAGE

1. Le moteur ne tourne pas ou manque de puissance:
 - Vérifier si la polarité des raccordements de batterie a été respectée.
 - S'assurer que les bornes sont propres et exemptes de corrosion. Garder les bornes de la batterie propres à l'aide d'un papier de verre fin ou d'une toile d'émeri.
 - Vérifier le niveau d'eau de la batterie. Ajouter de l'eau, le cas échéant.
2. Le moteur baisse en puissance peu après son démarrage:
 - Vérifier la charge de la batterie. Si le niveau est bas, la remettre à pleine charge.
3. Le moteur est difficile à diriger:
 - Desserrer le bouton de tension de pilotage sur le support.
 - Lubrifier l'arbre composite.
4. Si l'hélice vibre en cours de fonctionnement normal:
 - Retirer, puis faire pivoter l'hélice à 180°. Voir les directives pour le retrait dans la section portant sur le remplacement de l'hélice.
5. Votre sondeur fait l'objet d'interférences:
 - Dans certaines applications, de l'interférence à l'écran de l'échosondeur pourra survenir. Nous recommandons qu'une batterie marine à décharge profonde séparée soit utilisée pour votre propulseur électrique et que l'échosondeur soit alimenté à l'aide d'une batterie de démarrage/à manivelle. Si les problèmes persistent, communiquer avec le service technique au +1 (800) 227-6433.

AVIS : Pour tous les autres dysfonctionnements, visitez un centre de service agréé. Vous pouvez rechercher un centre de service agréé dans votre région en visitant minnkotamotors.com ou en appelant notre numéro de service à la clientèle au 800 227-6433.

POUR D'AUTRES SERVICES DE DÉPANNAGE ET DE RÉPARATION

Nous offrons plusieurs options de dépannage et de réparation pour votre produit. Veuillez parcourir les options énumérées ci-dessous.



Acheter des pièces en ligne

Vous pouvez acheter des pièces en ligne directement à partir de notre site Web à minnkotamotors.com. Des vis aux plaques latérales, vous pouvez commander des pièces de rechange pour vos produits Minn Kota.



Foire aux questions

Trouvez des réponses aux questions d'ordre général, de l'installation de la batterie et du grément, et des scénarios de réseautage. Notre site Web minnkotamotors.com met à votre disposition des FAQ visant à répondre à toutes vos questions au sujet des produits Minn Kota.



Appelez-nous (pour les États-Unis et le Canada)

Nos représentants du service à la clientèle sont disponibles du lundi au vendredi, de 7 h à 16 h 30 (HNC), au 1 800 227-6433. Pour commander des pièces, veuillez avoir sous la main le numéro de série à 11 chiffres du produit, les numéros des pièces nécessaires et les renseignements relatifs à la carte de crédit. Vous économiserez ainsi du temps pour un service à la clientèle de qualité supérieure. Vous pouvez consulter la liste des pièces de votre manuel pour obtenir les numéros exacts de pièce.



Contactez-nous

Vous pouvez communiquer avec notre service technique pour vos questions au sujet des produits Minn Kota. Pour vous renseigner, visitez minnkotamotors.com.



Centres de service agréés

On compte plus de 800 centres de service agréés Minn Kota aux États-Unis et au Canada pour acheter des pièces et faire réparer vos produits. Veuillez consulter notre site Web pour trouver un centre de service dans votre région.



Balayez pour visiter le service en ligne Minn Kota.

DÉCLARATIONS DE CONFORMITÉ

DÉCLARATION DE CONFORMITÉ ENVIRONNEMENTALE

Il est dans l'intention de JOME d'être une entreprise citoyenne responsable, dont l'exploitation est conforme à la réglementation environnementale en vigueur et qui est connue pour être un bon voisin dans les collectivités où nous fabriquons ou vendons nos produits.

DIRECTIVE DEEE

La directive européenne 2002/96/CE « Directive concernant les déchets d'équipements électriques et électroniques (DEEE) » a un impact sur la plupart des distributeurs, vendeurs et fabricants d'électronique pour le grand public au sein de l'Union européenne. La directive DEEE exige que le producteur d'électronique pour le grand public prenne une part de responsabilité, en ce qui concerne la gestion des déchets de leurs produits, afin d'atteindre une élimination écologique, et ce, tout au long du cycle de vie du produit.

Il se peut que, selon votre emplacement, vous ne soyez pas tenu (e) de vous conformer à la directive DEEE pour ce qui est des équipements électriques et électroniques (EEE), et il se peut qu'il en soit de même pour les EEE conçus et destinés à être utilisés comme installations fixes ou temporaires dans les véhicules de transport tels que les voitures, les avions et les bateaux. Dans certains États de l'Union européenne, ces véhicules sont réputés ne pas relever de la directive, et les EEE, pour ces applications peuvent être considérés comme exclus de l'exigence de la directive DEEE.

Ce symbole (DEEE poubelle sur roues) sur le produit indique que ce dernier ne doit pas être jeté avec les déchets domestiques.

Il doit être éliminé et collecté pour le recyclage et la récupération des DEEE. Johnson Outdoors Inc. marquera tous les produits EEE en conformité avec la directive DEEE. C'est notre but de nous conformer à la collecte, au traitement, à la récupération et à l'élimination écologique judicieuse de ces produits, mais ces exigences varient au sein des différents États membres de l'Union européenne. Pour de l'information supplémentaire sur l'endroit où vous pouvez éliminer les équipements usagés pour leur recyclage et leur récupération et/ou selon les exigences particulières de l'État membre de l'Union européenne, veuillez communiquer avec le détaillant ou le distributeur duquel vous avez acheté le produit.



ÉLIMINATION

Les moteurs Minn Kota ne sont pas soumis à la réglementation concernant l'élimination VGE-VO (directive pour les dispositifs électriques), qui transpose la directive DEEE. Néanmoins, ne jamais jeter le moteur Minn Kota dans une poubelle, mais plutôt à l'endroit approprié où s'effectue la collecte, recommandé par le conseil municipal local.

Ne jamais jeter aucune batterie à la poubelle. Se conformer aux directives d'élimination du fabricant ou de son représentant et la jeter à l'endroit approprié où s'effectue la collecte, recommandé par le conseil municipal local.

INFORMATIONS DE CONFORMITÉ RÉGLEMENTAIRE

› Moteurs équipés de i-Pilot

Pour des informations réglementaires sur les moteurs ayant un i-Pilot installé en usine, veuillez vous reporter au manuel en ligne i-Pilot sur minnkotamotors.com.

› Moteurs équipés de i-Pilot Link

Pour des informations réglementaires sur les moteurs ayant un i-Pilot Link installé en usine, veuillez vous reporter au manuel en ligne i-Pilot Link sur minnkotamotors.com.

CONFORMITÉ FCC

Cet appareil est conforme à la section 15 des règles de la FCC. Son fonctionnement est soumis aux deux conditions suivantes :

1. Ce dispositif ne doit pas causer d'interférences nuisibles.
2. Cet appareil doit accepter toute interférence qui peut être reçue, y compris les interférences susceptibles de perturber son fonctionnement.

Les changements ou modifications non expressément approuvés par Johnson Outdoors Marine Electronics, Inc. peuvent annuler le droit d'utilisation de cet équipement accordé à l'utilisateur.

AVIS : Cet équipement a été testé et s'est avéré conforme aux limites pour un appareil numérique de classe B, conformément à la section 15 des règles de la FCC. Ces limites sont conçues pour fournir une protection raisonnable contre les interférences nuisibles dans une installation résidentielle. Cet équipement génère, utilise et peut émettre des fréquences radio et, s'il n'est pas installé et utilisé conformément aux instructions, peut causer des interférences nuisibles pour les communications radio. Il n'existe cependant aucune garantie que des interférences ne se produiront pas dans une installation donnée. **Si cet équipement provoque des interférences nuisibles à la réception radio ou télévision, ce qui peut être déterminé en l'éteignant et en le rallumant, l'utilisateur est encouragé à essayer de corriger l'interférence par une ou plusieurs des mesures suivantes :**

- Réorienter ou déplacer l'antenne de réception.
- Augmenter la distance entre l'équipement et le récepteur.
- Connecter l'équipement à une sortie sur un circuit différent de celui sur lequel est branché le récepteur.
- Consulter le revendeur ou un technicien radio/TV expérimenté.

CONFORMITÉ AUX NORMES D'INDUSTRIE CANADA

Ce produit est conforme aux spécifications techniques applicables d'Industrie Canada. Son fonctionnement est soumis aux deux conditions suivantes: (1) cet appareil ne peut causer d'interférences et (2) il doit tolérer toute interférence, même celle pouvant causer un fonctionnement indésirable de l'appareil.

Les changements ou les modifications non expressément approuvés par Johnson Outdoors Marine Electronics, Inc. peuvent annuler l'autorisation de l'utilisateur de faire fonctionner cet équipement.

COTES ENVIRONNEMENTALES

Température ambiante de fonctionnement : 14 °F à 122 °F (-10 à 50 °C)

Humidité ambiante de fonctionnement : 5 à 95 %

Altitude maximale de fonctionnement : 10 000 pieds (3 048 mètres)

SCHÉMA DES PIÈCES ET LISTE DES PIÈCES

TERROVA - POUSSÉE DE 55/80/112 LB [24,9/36,2/50,8 KG] - 12/24/36 VOLTS - ARBRE DE 45/54/60/72 PO [114,3/137,1/152,4/182,9 CM]

Ce schéma des pièces et cette liste des pièces fournissent les directives pour la dépose de Minn Kota^{MD} en conformité avec la directive DEEE. Pour de l'information supplémentaire sur l'endroit où vous pouvez éliminer les équipements usagés pour leur recyclage et leur récupération et/ou selon les exigences particulières de l'État membre de l'Union européenne, veuillez communiquer avec le détaillant ou le distributeur duquel vous avez acheté le produit. Outils requis, entre autres : tournevis à tête plate, tournevis cruciforme, jeu de douilles, pinces, cisailles.

TÊTE DE CONTRÔLE DE TERROVA >

> Schéma des Pièces de la Tête de Contrôle

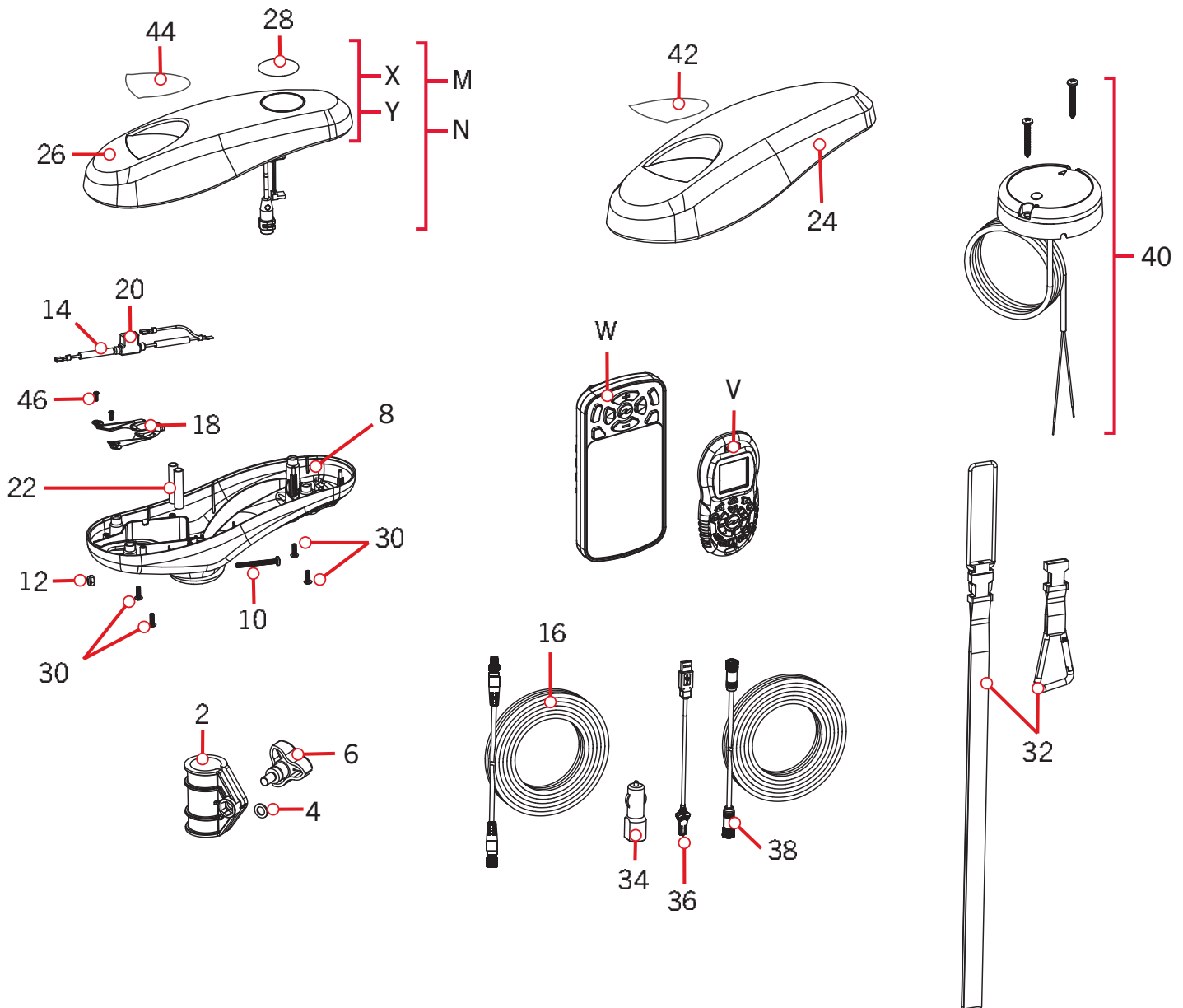


SCHÉMA DES PIÈCES ET LISTE DES PIÈCES

► Liste des Pièces de la Tête de Contrôle

Ensemble	N° de Pièce	Description	Remarques	Quantité
M	2774176 ◆	MOTOR KIT, iPLT 1.6 TRV,UTX	*RÉCEPTEUR i-PILOT*	1
N	2774177 ●	MOTOR KIT, iPLT 3.0 TRV,UTX	*RÉCEPTEUR i-PILOT LINK*	1
V	2994075 ◆	REMOTE ASSY, IPILOT 1.6		1
W	2994076 ●	REMOTE ASSY, IPILOT LINK	*i-PILOT LINK SEULEMENT*	1
X	2770233 ◆	COVER KIT, iPLT 1.6 TRV, ULTREX	*i-PILOT* *COUVERCLE ET AUTOCOLLANTS SEULEMENT*	1
Y	2770234 ●	COVER KIT, iPLT 3.0 TRV, ULTREX	*i-PILOT LINK* *COUVERCLE ET AUTOCOLLANTS SEULEMENT*	1
N° d'Article	N° de Pièce	Description	Remarques	Quantité
▲	✘	SEAL,BUNG LOWER		1
▲	✘	SEAL,BUNG UPPER,FW		1
2	2321505	DEPTH COLLAR, LIFT ASSIST		1
4	2321702	WASHER-FLAT .375 NYLON		1
6	2260905	KNOB-SOFT GRIP,HG/DR,ZNC		1
8	2292500	CONTROL BOX, ULTREX		1
10	2332102	SCREW-#10-24 X 1-3/4 PPH SS		1
12	2333101	NUT-HEX #10-24 UNC-2B NYL SS		1
14	2065400	WIRE INSULATOR-LGE 1-3/4, BLUE		2
16	2211415 +	CABLE-EXTENSION, 110"	*US2*	1
	490507-1 ➔	CABLE, ADP-INT MDI 14 M12-120"		1
▲	2256300	TIE WRAP-5.5" BLACK		2
18	2224706	INSERT-PLUG		1
▲	9950433	TIE WRAP-4" BLACK		2
20	2218201	FUSE HOLDER ASSEMBLY		1
22	2375400	SHRINK TUBE-1/40D X 1-3/4		2
24	2290217	COVER,CTRL BOX		1
26	✘	CVR, CTRL BX IP		1
28	2395545 ◆	DECAL, DOMED, iPILOT FW		1
	2395547 ●	DECAL, DOMED, iPILOT LINK FW		1
30	2372100	SCREW-#8-18 X 5/8 THD (SS)		4
32	2390800 ◆●	LANYARD, REMOTE W/ CARABINER		1
34	2375901 ●	ADAPTER, USB DC POWER	*LINK SEULEMENT*	1
36	2373241 ●	CABLE, USB REMOTE CHARGER	*LINK SEULEMENT*	1
38	490389-1 ●	CABLE, ETHERNET, 30'	*LINK SEULEMENT*	1
40	2996400	HEADING SENSOR ASSEMBLY	*CERTAINS MODÈLES UNIQUEMENT*	1
▲	2397106 ◆	QUICK - QUICK REF, iPILOT 1.6		1
▲	2397107 ●	QUICK - QUICK REF, iPILOT 3.0		1

▲ Non visible sur le schéma des pièces.

✘ Cette pièce est incluse dans un ensemble et ne peut pas être commandée individuellement.

◆ Uniquement disponible avec les modèles possédant un système i-Pilot installé en usine.

● Uniquement disponible avec les modèles possédant un i-Pilot Link installé en usine.

+ Uniquement disponible avec les modèles possédant un Universal Sonar installé en usine.

➔ Uniquement disponible avec les modèles possédant un système MEGA Down Imaging intégré installé en usine.

SCHÉMA DES PIÈCES ET LISTE DES PIÈCES



N° d'Article	N° de Pièce	Description	Remarques	Quantité
42	2325631	DECAL, COVER, TERROVA 55	*POUSSÉE DE 55 LB (25 KG)*	1
	2325632	DECAL, COVER, TERROVA 80	*POUSSÉE DE 80 LB (36,3 KG)*	1
44	2395550	DECAL, PUSH BTN TOP, T2/iP 55	*POUSSÉE DE 55 LB (25 KG)*	1
	2395554	DECAL, PUSH BTN TOP, T2/iP 80	*POUSSÉE DE 80 LB (36,3 KG)*	1
	2325634	DECAL, PUSH BTN TOP, TRV/iP 112	*POUSSÉE DE 112 LB (50,8 KG)*	1
46	2372103	SCREW. #6 x 3/8 PLASTITE		2
▲	2327130	MANUAL TERROVA BT FW		1
▲	2397100	MANUAL, iPILOT 1.6		1
▲	2327133	INSTALLATION INSTRUCTIONS TERROVA FW BT		1
▲	2397102	MANUAL, iPILOT LINK 3.0		1
▲	2297165	MANUAL - DISCLAIMER, DOWNLOAD INFO		1
▲	2394900	INSTRUCTION HEADING SENSOR	*CERTAINS MODÈLES UNIQUEMENT*	1
▲	2215700	LABEL, DI CABLE EXIT LOCATION		1

▲ Non visible sur le schéma des pièces.

✘ Cette pièce est incluse dans un ensemble et ne peut pas être commandée individuellement.

◆ Uniquement disponible avec les modèles possédant un système i-Pilot installé en usine.

● Uniquement disponible avec les modèles possédant un i-Pilot Link installé en usine.

✚ Uniquement disponible avec les modèles possédant un Universal Sonar installé en usine.

➔ Uniquement disponible avec les modèles possédant un système MEGA Down Imaging intégré installé en usine.



SCHÉMA DES PIÈCES ET LISTE DES PIÈCES

MOTEUR DE TERROVA >

> Schéma des pièces du moteur de 12 volts, 3,625 po (9,208 cm)

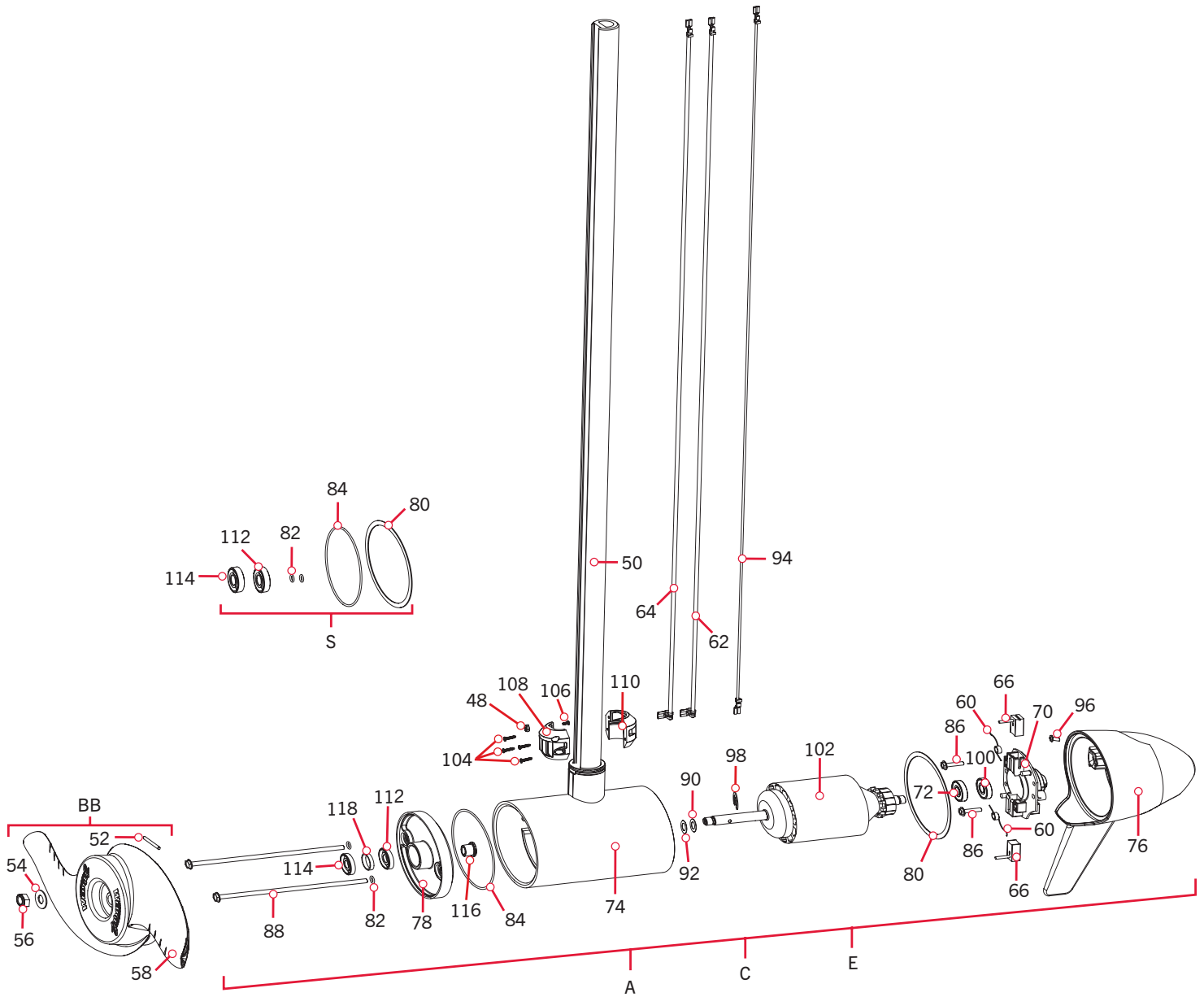


SCHÉMA DES PIÈCES ET LISTE DES PIÈCES

► Liste des pièces du moteur de 12 volts, 3,625 po (9,208 cm)

Ensemble	N° de Pièce	Description	Remarques	Quantité
A	2779032 +	MTR/TUBE ASM 55# 45" TRV/US2 BT	*45 PO (114,3 CM)* *3,625* *UNIVERSAL SONAR*	1
C	2779024	MTR/TUBE ASM 55# 54" TRV BT	*54 PO (137,2 CM)* *3,625*	1
E	2779033 +	MTR/TUBE ASM 55# 54" TRV/US2 BT	*54 PO (137,2 CM)* *3,625* *UNIVERSAL SONAR*	1
BB	1378131	PROP IND 2091160 WDLS WDG II	*3,625* *POUSSÉE DE 55 LB (25 KG)*	1
S	2888460	SEAL & O-RING KIT	*POUSSÉE DE 55 LB (25 KG)* *3,625*	1
N° d'Article	N° de Pièce	Description	Remarques	Quantité
48	2323110	NUT-HEX, 6-32 NYLOK SS		1
50	✘	TUBE-COMP, BLK, 45", 1/4" WALL, T2	*45 PO (114,3 CM)*	1
	✘	TUBE-COMP, BLK, 54", 1/4" WALL, T2	*54 PO (137,2 CM)*	1
52	2092600	PIN-DRIVE 1.06" LG (SS)	*POUSSÉE DE 55 LB (25 KG)* *3,625*	1
54	2151726	WASHER-5/16 STD (S/S)	*POUSSÉE DE 55 LB (25 KG)* *3,625*	1
56	2053101	NUT-PROP, NYLOC (MED) 5/16 SS	*POUSSÉE DE 55 LB (25 KG)* *3,625*	1
58	2091161	PROP-WW2 3 5/8" MACHINED	*POUSSÉE DE 55 LB (25 KG)* *3,625*	1
60	975-040	SPRING - TORSION	*3,625* *POUSSÉE DE 55 LB (25 KG)*	2
62	640-006	LEADWIRE BLK 10 AWG 61 3/4" GPT	*45 PO (114,3 CM)*	1
	640-023	LEADWIRE BLK 10 AWG 69" GPT	*3,625* *POUSSÉE DE 55 LB (25 KG)* *54 PO (137,2 CM)*	1
64	640-151	LEADWIRE RED 10 AWG 70.375 GPT	*3,625* *POUSSÉE DE 55 LB (25 KG)* *54 PO (137,2 CM)*	1
	640-115	LEADWIRE RED 10 AWG 61 3/4" GPT	*45 PO (114,3 CM)*	1
66	188-036	BRUSH ASSEMBLY	*3,625* *POUSSÉE DE 55 LB (25 KG)*	2
70	2-600-217	BRUSH PLATE ASSEMBLY	*54 PO (137,2 CM)*	1
	2-600-018	BRUSH PLATE ASSEMBLY	*45 PO (114,3 CM)*	1
72	725-050	PAPER TUBE - BRUSH RETENTION	*3,625* *POUSSÉE DE 55 LB (25 KG)*	1
74	✘	CTR HSG ASY 3.62 FW-MAGNET CB	*POUSSÉE DE 55 LB (25 KG)* *3,625*	1
76	421-050	HSG BRSH END FW CB	*POUSSÉE DE 55 LB (25 KG)* *3,625* *NON US2*	1
	✘ +	HSG BRSH END FW CB	*POUSSÉE DE 55 LB (25 KG)* *3,625* *US2*	1
78	2-400-101A	PLAIN END HSG ASY	*POUSSÉE DE 55 LB (25 KG)* *3,625*	1
80	337-036	GASKET	*POUSSÉE DE 55 LB (25 KG)* *3,625*	1
82	701-008	O-RING	*POUSSÉE DE 55 LB (25 KG)* *3,625*	2
84	701-081	O-RING	*POUSSÉE DE 55 LB (25 KG)* *3,625*	1
86	830-007	SCREW, # 8-32	*POUSSÉE DE 55 LB (25 KG)* *3,625*	2
88	830-008	THRU BOLT 10-32 x 9.205	*POUSSÉE DE 55 LB (25 KG)* *3,625*	2
90	990-067	WASHER - STEEL THRUST	*POUSSÉE DE 55 LB (25 KG)* *3,625*	1
92	990-070	WASHER - NYLATRON	*POUSSÉE DE 55 LB (25 KG)* *3,625*	1
94	640-316	LEADWIRE BROWN 18 AWG 71" GPT	*POUSSÉE DE 55 LB (25 KG)* *3,625* *54 PO (137,2 CM)*	1
	640-315	LEADWIRE BROWN 18 AWG 62" GPT	*POUSSÉE DE 55 LB (25 KG)* *3,625* *45 PO (114,3 CM)*	1
96	2302102 +	SCREW-#6-20 X 1/2 THD CUTS		1

▲ Non visible sur le schéma des pièces.

✘ Cette pièce est incluse dans un ensemble et ne peut pas être commandée individuellement.

◆ Uniquement disponible avec les modèles possédant un système i-Pilot installé en usine.

● Uniquement disponible avec les modèles possédant un i-Pilot Link installé en usine.

+ Uniquement disponible avec les modèles possédant un Universal Sonar installé en usine.

➔ Uniquement disponible avec les modèles possédant un système MEGA Down Imaging intégré installé en usine.

SCHÉMA DES PIÈCES ET LISTE DES PIÈCES



Item	Part #	Description	Notes	Quantity
98	788-015	RETAINING RING	*3,625*	1
100	140-010	BREARING		1
102	2-100-146	ARM ASY 12V 3.62 55#CB/LS	*POUSSÉE DE 55 LB (25 KG)* *3,625*	1
104	3393450	SCREW-#6-19 X.75 PPH HI-LOW SS		4
106	2323429	SCREW #6-32 X .50" SS BHCS		1
108	2321523	COLLAR-FRONT, LIFT ASSIST, FW		1
110	2321527	COLLAR-BACK, LIFT ASSIST, FW		1
112	880-003	SEAL		1
114	880-006	SEAL WITH SHIELD		1
▲	✖+	TRANSDUCER ASSY 73" GEN2.5 W/T 54"		1
▲	✖+	TRANSDUCER ASSY 67" GEN2.5 W/T		1
116	144-049	BEARING - FLANGE		1
118	725-035	PAPER TUBE - SEAL BORE		1

▲ Non visible sur le schéma des pièces.

✖ Cette pièce est incluse dans un ensemble et ne peut pas être commandée individuellement.

◆ Uniquement disponible avec les modèles possédant un système i-Pilot installé en usine.

● Uniquement disponible avec les modèles possédant un i-Pilot Link installé en usine.

✚ Uniquement disponible avec les modèles possédant un Universal Sonar installé en usine.

➔ Uniquement disponible avec les modèles possédant un système MEGA Down Imaging intégré installé en usine.



SCHÉMA DES PIÈCES ET LISTE DES PIÈCES

► Schéma des pièces du moteur de 24 volts, 4,0 po (10,16 cm)

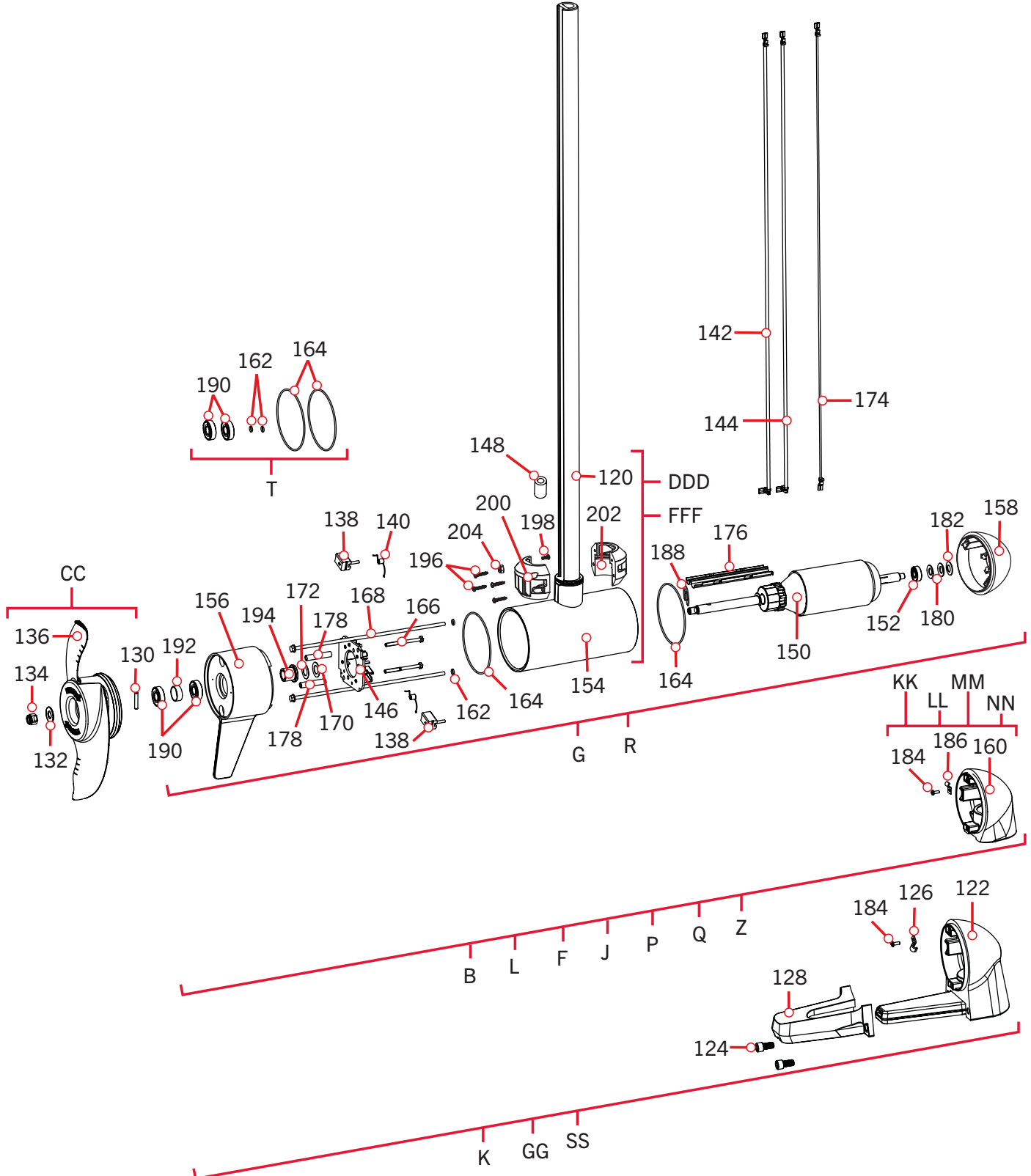


SCHÉMA DES PIÈCES ET LISTE DES PIÈCES

► Liste des pièces du moteur de 24 volts, 4,0 po (10,16 cm)

Ensemble	N° de Pièce	Description	Remarques	Quantité
B	2777018	MTR/TUBE ASM 80# 45" TRV/US2 BT	*45 PO (114,3 CM)* *4,0* *UNIVERSAL SONAR*	1
F	2777038	MTR/TUBE ASM 80# 54" TRV/US2 BT	*54 PO (137,2 CM)* *4,0* *UNIVERSAL SONAR*	1
G	2777006	MTR/TUBE ASM 80# 60" TRV BT	*60 PO (152,4 CM)* *4,0*	1
J	2777012	MTR/TUBE ASM 80# 60" TRV/US2 BT	*60 PO (152,4 CM)* *4,0* *UNIVERSAL SONAR*	1
L	2777041	MTR/TUBE ASM 80# 72" TRV/US2 BT	*72 PO (182,9 CM)* *4,0* *UNIVERSAL SONAR*	1
P	2777019	MTR/TUBE 80# 45" TRV/US2-M BT	*45 PO (114,3 CM)* *4,0* *UNIVERSAL SONAR* *EUROPE SEULEMENT*	1
Q	2777039	MTR/TUBE 80# 54" TRV/US2-M BT	*54 PO (137,2 CM)* *4,0* *UNIVERSAL SONAR* *EUROPE SEULEMENT*	1
R	2777007	MTR/TUBE ASM 80# 60" TRV-M BT	*60 PO (152,4 CM)* *4,0* *EUROPE SEULEMENT*	1
Z	2777014	MTR/TUBE 80# 60" TRV/US2-M BT	*60 PO (152,4 CM)* *4,0* *UNIVERSAL SONAR* *EUROPE SEULEMENT*	1
DDD	2777196	CTR HSG, CB, 80#, FW, UP TO 60"	*TUBE*	1
FFF	2777197	CTR HSG, CB, 80#, FW, 72" TUBE	*TUBE*	1
CC	1378132	PROP IND 2331160 WDL5 WDG II	*POUSSÉE DE 80 LB (36,3 KG)* *4,0*	1
T	2889460	SEAL & O-RING KIT	*POUSSÉE DE 80 LB (36,3 KG)* *4,0*	1
KK	9421-290	PLN END HSG/TRANDUCER ASY 4.0	*POUSSÉE DE 80 LB (36,3 KG)* *60 PO (152,4 CM)* *TRANSDUCER* *UNIVERSAL SONAR*	1
LL	9421-287	PLN END HSG/TRANDUCER ASY 4.0	*POUSSÉE DE 80 LB (36,3 KG)* *45 PO (114,3 CM)* *TRANSDUCER* *UNIVERSAL SONAR*	1
MM	9421-288	PLN END HSG/TRANDUCER ASY 4.0	*POUSSÉE DE 80 LB (36,3 KG)* *54 PO (137,2 CM)* *TRANSDUCER* *UNIVERSAL SONAR*	1
NN	9421-291	PLN END HSG/TRANDUCER ASY 4.0	*POUSSÉE DE 80 LB (36,3 KG)* *72 PO (182,9 CM)* *TRANSDUCER* *UNIVERSAL SONAR*	1
K	2777134	MTR/TUBE ASM 80# 72" TRV/MDI BT	*POUSSÉE DE 80 LB (36,3 KG)* *72 PO (182,9 CM)* *MDI*	1
GG	2777130	MTR/TUBE ASM 80# 45" TRV/MDI BT	*POUSSÉE DE 80 LB (36,3 KG)* *45 PO (114,3 CM)* *MDI*	1
SS	2777132	MTR/TUBE ASM 80# 60" TRV/MDI BT	*POUSSÉE DE 80 LB (36,3 KG)* *60 PO (152,4 CM)* *MDI*	1
N° d'Article	N° de Pièce	Description	Remarques	Quantité
120	✘	TUBE-CMP,BLK,45", 1/4" WLL		1
	✘	TUBE-CMP,BLK,45", 1/4",MDI		1
	✘	TUBE-CMP,BLK,60", 1/4" WLL		1
	✘	TUBE-CMP,BLK,54", 1/4" WLL		1
	✘	TUBE-CMP,BLK,72", 1/4" WLL		1
	✘	TUBE-CMP,BLK,45", 1/4", "M"		1
	✘	TUBE-CMP,BLK,60", 1/4",MDI		1
122	✘	PLAIN END HOUSING, PNT 4.0 DI	*MDI*	1
124	830-110	SCREW-5-16-18 X 5/8 SHCS SS	*MDI*	2
126	230-039	CABLE CLAMP, 1/4" STEEL	*UNIVERSAL SONAR*	1
128	792-001	GUARD, TRANSDUCER, PNT 4.0 DI	*MDI*	1

▲ Non visible sur le schéma des pièces.

✘ Cette pièce est incluse dans un ensemble et ne peut pas être commandée individuellement.

◆ Uniquement disponible avec les modèles possédant un système i-Pilot installé en usine.

● Uniquement disponible avec les modèles possédant un i-Pilot Link installé en usine.

✚ Uniquement disponible avec les modèles possédant un Universal Sonar installé en usine.

➔ Uniquement disponible avec les modèles possédant un système MEGA Down Imaging intégré installé en usine.

SCHÉMA DES PIÈCES ET LISTE DES PIÈCES



N° d'Article	N° de Pièce	Description	Remarques	Quantité
130	2262658	PIN-DRIVE 1" X 3/16" S/S	*POUSSÉE DE 80 LB (36,3 KG)* *4,0* *POUSSÉE DE 112 LB (50,8 KG)* *4,5*	1
132	2091701	WASHER-PROP (LARGE)	*POUSSÉE DE 80 LB (36,3 KG)* *4,0* *POUSSÉE DE 112 LB (50,8 KG)* *4,5*	1
134	2093101	NUT-PROP,NYLOC,LG, 3/8 SS	*POUSSÉE DE 80 LB (36,3 KG)* *4,0* *POUSSÉE DE 112 LB (50,8 KG)* *4,5*	1
136	2331160	PROP-WW2 (4") w/ADP.RING	*4,0* *POUSSÉE DE 80 LB (36,3 KG)*	1
138	188-094	BRUSH W/TERMINAL	*4,0* *POUSSÉE DE 80 LB (36,3 KG)*	2
140	975-041	SPRING - TORSION	*4,0* *POUSSÉE DE 80 LB (36,3 KG)*	2
142	640-016	LEADWIRE BLK 10 AWG 56 1/2 XLP		1
	640-053	LEADWIRE BLK 10 AWG 82.375 XLP	*4,0* *POUSSÉE DE 80 LB (36,3 KG)*	1
	640-052	LEADWIRE BLK 10 AWG 70.125 XLP	*4,0**POUSSÉE DE 80 LB (36,3 KG)*	1
	640-022	LEADWIRE BLK 10 AWG 72.5 XLP	*4,0* *POUSSÉE DE 80 LB (36,3 KG)*	1
144	640-148	LEADWIRE RED 10 AWG 83" GPT	*4,0* *POUSSÉE DE 80 LB (36,3 KG)*	1
	640-152	LEADWIRE RED 10 AWG 69.625 XLP	*4,0* *POUSSÉE DE 80 LB (36,3 KG)*	1
	640-118	LEADWIRE RED 10 AWG 56 XLP	*4,0* *POUSSÉE DE 80 LB (36,3 KG)*	1
	640-126	LEADWIRE RED 10 AWG 71" XLP	*4,0* *POUSSÉE DE 80 LB (36,3 KG)*	1
▲	✘	BRUSH HOLDER	*4,0* *POUSSÉE DE 80 LB (36,3 KG)*	2
146	9-738-015	BRUSH PLATE 4" TERMINAL	*4,0* *POUSSÉE DE 80 LB (36,3 KG)*	1
	2-600-176	BRUSH PLATE ASM 4" ELEC. CB		1
	2-600-155	BRUSH PLATE ASM 4" ELEC.66" CB		1
	2-600-196	BRUSH PLATE ASSEMBLY 4"		1
	2-600-195	BRUSH PLATE ASSEMBLY 4"		1
▲	2260730	CONNECTOR 1/4 MALE TAB QD	*4,0* *POUSSÉE DE 80 LB (36,3 KG)*	2
148	✘	BEAD-FERRITE		1
150	2-100-214	ARM ASSY 24V 4" 80# (WW2)	*POUSSÉE DE 80 LB (36,3 KG)* *4,0*	1
152	140-010	BEARING - BALL	*POUSSÉE DE 55 LB (25 KG)* *3.625* *POUSSÉE DE 80 LB (36,3 KG)* *4,0*	1
154	✘	CTR HSG ASY 4.0 FW MGNTZ	*POUSSÉE DE 80 LB (36,3 KG)* *4,0*	1
156	2-300-170	BRUSH END HSG ASY 4.0 FW	*POUSSÉE DE 80 LB (36,3 KG)* *4,0*	1
	420-070	HSG BRSH END 4.0 FW CB (SUB)		1
	421-070	HSG BRSH END 4.0 FW CB		1
158	421-276	HSG PLN END 4" PAINTED FW BS	*POUSSÉE DE 80 LB (36,3 KG)* *4,0* *NON US2* *NON MDI*	1
160	✘	PLAIN END HSG-PNTD-4"US2.5 CB	*POUSSÉE DE 80 LB (36,3 KG)* *4,0*	1
162	701-009	O-RING	*POUSSÉE DE 80 LB (36,3 KG)* *4,0*	2
164	701-043	O-RING	*POUSSÉE DE 80 LB (36,3 KG)* *4,0*	2
166	830-027	SCREW - SELF-THREAD 10-32X2.25	*POUSSÉE DE 80 LB (36,3 KG)* *4,0*	2
168	830-095	THRU BOLT 12-24 x 9.79	*POUSSÉE DE 80 LB (36,3 KG)* *4,0*	2
170	990-051	WASHER - STEEL THRUST	*POUSSÉE DE 80 LB (36,3 KG)* *4,0* *POUSSÉE DE 112 LB (50,8 KG)* *4,5*	1
172	990-052	WASHER - NYLATRON	*POUSSÉE DE 80 LB (36,3 KG)* *4,0* *POUSSÉE DE 112 LB (50,8 KG)* *4,5*	1

▲ Non visible sur le schéma des pièces.

✘ Cette pièce est incluse dans un ensemble et ne peut pas être commandée individuellement.

◆ Uniquement disponible avec les modèles possédant un système i-Pilot installé en usine.

● Uniquement disponible avec les modèles possédant un i-Pilot Link installé en usine.

✚ Uniquement disponible avec les modèles possédant un Universal Sonar installé en usine.

➔ Uniquement disponible avec les modèles possédant un système MEGA Down Imaging intégré installé en usine.



SCHÉMA DES PIÈCES ET LISTE DES PIÈCES



N° d'Article	N° de Pièce	Description	Remarques	Quantité
174	640-316	LEADWIRE BROWN 18 AWG 71" GPT	*POUSSÉE DE 55 LB (25 KG)* *3,625* *POUSSÉE DE 80 LB (36,3 KG)* *4,0* *POUSSÉE DE 112 LB (50,8 KG)* *4,5*	1
	640-315	LEADWIRE BROWN 18 AWG 62" GPT	*POUSSÉE DE 80 LB (36,3 KG)* *4,0*	1
	640-317	LEADWIRE BROWN 18 AWG 86" GPT	*POUSSÉE DE 80 LB (36,3 KG)* *4,0* *POUSSÉE DE 112 LB (50,8 KG)* *4,5*	1
176	582-013	CLIP, RETAINING SHORT	*POUSSÉE DE 80 LB (36,3 KG)* *4,0*	1
178	973-025	SPACER - BRUSHPLATE	*POUSSÉE DE 80 LB (36,3 KG)* *4,0*	2
180	992-010	WASHER - BELLEVILLE	*POUSSÉE DE 80 LB (36,3 KG)* *4,0*	2
182	990-045	SPACER - THRUST	*POUSSÉE DE 80 LB (36,3 KG)* *4,0*	1
184	2302104	SCREW-#6-20 X 3/8 THD CUTS	*POUSSÉE DE 80 LB (36,3 KG)* *4,0* *POUSSÉE DE 112 LB (50,8 KG)* *4,5*	1
186	230-038	CABLE CLAMP	*POUSSÉE DE 80 LB (36,3 KG)* *4,0* *POUSSÉE DE 112 LB (50,8 KG)* *4,5*	1
188	788-040	RETAINING RING		1
190	880-025	SEAL		2
192	725-095	PAPER TUBE, SEAL		1
	725-035	PAPER TUBE, SEAL		1
194	144-017	BEARING, FLANGE		1
▲	✘	RIVET - .25"	*4,0* *POUSSÉE DE 80 LB (36,3 KG)* *4,5* *POUSSÉE DE 112 LB (50,8 KG)*	6
196	3393450	SCREW-#6-19 X.75 PPH HI-LOW SS		4
198	2323429	SCREW #6-32 X .50" SS BHCS		1
200	2321523	COLLAR-FRONT, LIFT ASSIST, FW		1
202	2321527	COLLAR-BACK, LIFT ASSIST, FW		1
204	2323110	NUT-HEX, 6-32 NYLOK SS		1

▲ Non visible sur le schéma des pièces.

✘ Cette pièce est incluse dans un ensemble et ne peut pas être commandée individuellement.

◆ Uniquement disponible avec les modèles possédant un système i-Pilot installé en usine.

● Uniquement disponible avec les modèles possédant un i-Pilot Link installé en usine.

✚ Uniquement disponible avec les modèles possédant un Universal Sonar installé en usine.

➔ Uniquement disponible avec les modèles possédant un système MEGA Down Imaging intégré installé en usine.



SCHÉMA DES PIÈCES ET LISTE DES PIÈCES

► Schéma des pièces du moteur de 36 volts, 4,5 po (11,43 cm)

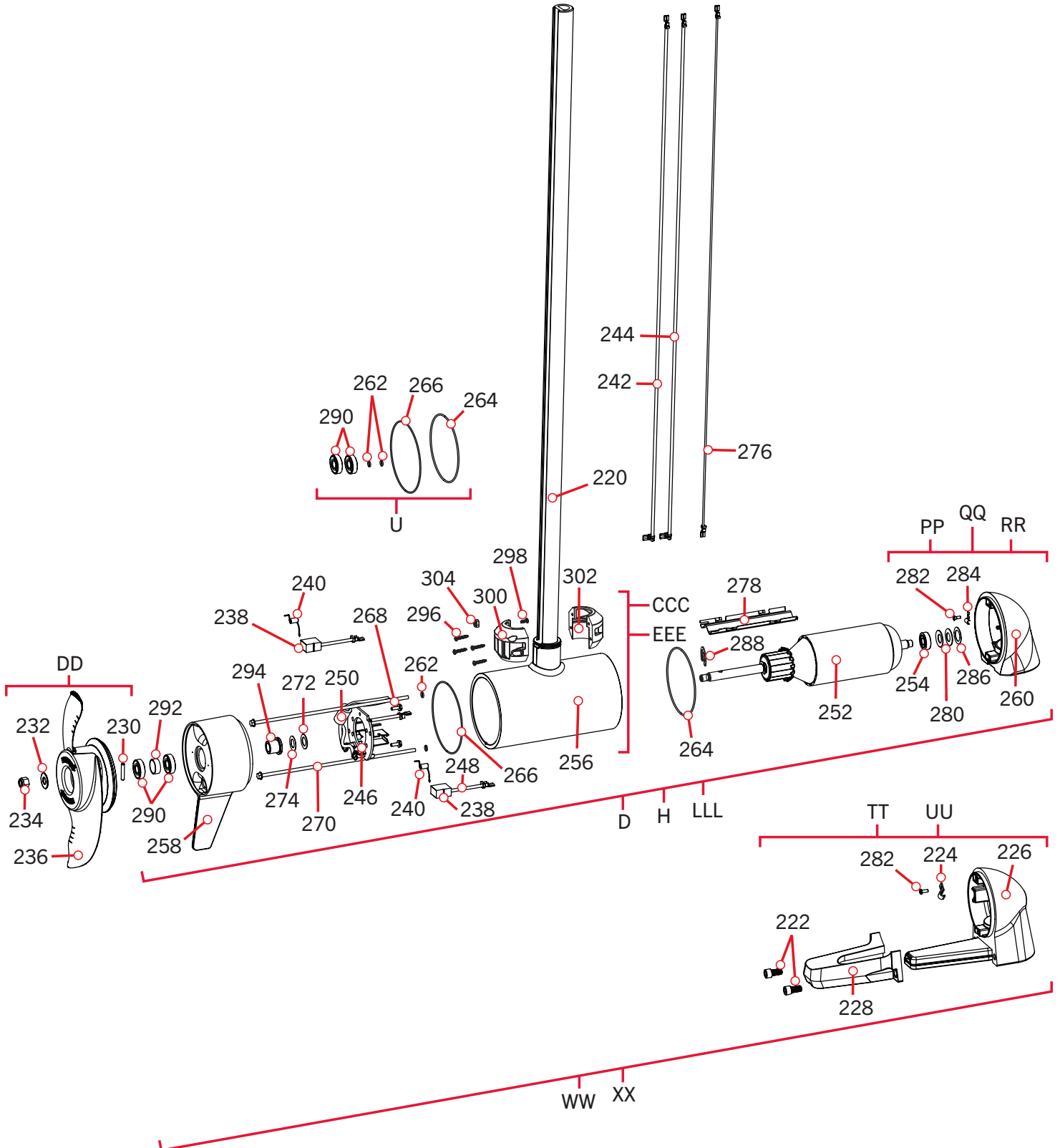


SCHÉMA DES PIÈCES ET LISTE DES PIÈCES

► Liste des pièces du moteur de 36 volts, 4,5 po (11,43 cm)

Ensemble	N° de Pièce	Description	Remarques	Quantité
D	2777090	MTR/TUBE 112# 54" TRV/US2 BT	*54 PO (137,2 CM)* *4,5* *UNIVERSAL SONAR*	1
H	2777078	MTR/TUBE 112# 60" TRV/US2 BT	*60 PO (152,4 CM)* *4,5* *UNIVERSAL SONAR*	1
LLL	2777079	MTR/TUBE 112# 72" TRV/US2 BT	*72 PO (182,9 CM)* *4,5* *UNIVERSAL SONAR*	1
CCC	2777241	CTR HSG, CB, 112#, FW, UP TO 60"	*TUBE* *NON UNIVERSAL SONAR* *NON MDI*	1
EEE	2777242	CTR HSG, CB, 112#, FW, 72" TUBE	*TUBE* *NON UNIVERSAL SONAR* *NON MDI*	1
DD	1378160	PROP KIT 2341160 112# WW2	*POUSSÉE DE 112 LB (50,8 KG)* *4,5*	1
U	2881450	SEAL & O-RING KIT	*POUSSÉE DE 112 LB (50,8 KG)* *4,5*	1
PP	9421-246	PLN END HSG/TRANDUCER ASY 4.5	*POUSSÉE DE 112 LB (50,8 KG)* *60 PO (152,4 CM)* *TRANSDUCER* *UNIVERSAL SONAR*	1
QQ	9421-245	PLN END HSG/TRANDUCER ASY 4.5	*POUSSÉE DE 112 LB (50,8 KG)* *54 PO (137,2 CM)* *TRANSDUCER* *UNIVERSAL SONAR*	1
RR	9421-247	PLN END HSG/TRANDUCER ASY 4.5	*POUSSÉE DE 112 LB (50,8 KG)* *72 PO (182,9 CM)* *TRANSDUCER* *UNIVERSAL SONAR*	1
TT	2773005	PLN END HSG/TRNDCR 4.5 MDI	*POUSSÉE DE 112 LB (50,8 KG)* *72 PO (182,9 CM)* *TRANSDUCER* *MDI*	1
UU	2773006	PLN END HSG/TRNDCR 4.5 MDI	*POUSSÉE DE 112 LB (50,8 KG)* *60 PO (152,4 CM)* *TRANSDUCER* *MDI*	1
WW	2777152	MTR/TUBE ASM 112#60"TRV/MDI BT	*60 PO (152,4 CM)*	1
XX	2777154	MTR/TUBE ASM 112#72"TRV/MDI BT	*72 PO (182,9 CM)* *MDI*	1
N° d'Article	N° de Pièce	Description	Remarques	Quantité
220	✘	TUBE-CMP,BLK,45",1/4" WLL		1
	✘	TUBE-CMP,BLK,45",1/4",MDI		1
	✘	TUBE-CMP,BLK,60",1/4" WLL		1
	✘	TUBE-CMP,BLK,54",1/4" WLL		1
	✘	TUBE-CMP,BLK,72",1/4" WLL		1
	✘	TUBE-CMP,BLK,45",1/4", "M"		1
	✘	TUBE-CMP,BLK,60",1/4",MDI		1
	✘	TUBE-CMP,BLK,60",1/4", "M"		1
222	830-110	SCREW-5-16-18 X 5/8 SHCS SS	*POUSSÉE DE 80 LB (36,3 KG)* *4,0* *POUSSÉE DE 112 LB (50,8 KG)* *4,5*	2
224	230-039	CABLE CLAMP, 1/4" STEEL	*POUSSÉE DE 80 LB (36,3 KG)* *4,0* *POUSSÉE DE 112 LB (50,8 KG)* *4,5*	1
226	✘	PLAIN END HOUSING, PNT 4.5 DI	*POUSSÉE DE 80 LB (36,3 KG)* *4,0* *POUSSÉE DE 112 LB (50,8 KG)* *4,5*	1
228	792-005	GUARD, TRANSDUCER, PNT 4.5 DI	*4,5* *POUSSÉE DE 112 LB (50,8 KG)*	1
230	2262658	PIN-DRIVE 1" X 3/16" S/S	*4,5* *POUSSÉE DE 112 LB (50,8 KG)*	1
232	2091701	WASHER-PROP (LARGE)	*4,5* *POUSSÉE DE 112 LB (50,8 KG)*	1
234	2093101	NUT-PROP,NYLOC,LG, 3/8 SS	*POUSSÉE DE 112 LB (50,8 KG)* *54 PO (137,2 CM)*	1
236	2341160	PROP-WW2 (4.5) w/ADP.RING	*4,5* *POUSSÉE DE 112 LB (50,8 KG)* *72 PO (182,9 CM)*	1
238	188-095	BRUSH	*4,5* *POUSSÉE DE 112 LB (50,8 KG)* *60 PO (152,4 CM)*	2
240	975-045	SPRING - TORSION	*112LB THRUST* *4,5*	2
242	640-021	LEADWIRE BLK 10 AWG 69.5 XLP	*112 LB THRUST* *54**	1
	640-049	LEADWIRE BLK 10 AWG 88.50 GPT	*4.5* *112LB THRUST* *72**	1
	640-045	LEADWIRE BLK 10 AWG 76.5" GPT	*4.5* *112LB THRUST* *60**	1

▲ Non visible sur le schéma des pièces.

✘ Cette pièce est incluse dans un ensemble et ne peut pas être commandée individuellement.

◆ Uniquement disponible avec les modèles possédant un système i-Pilot installé en usine.

● Uniquement disponible avec les modèles possédant un i-Pilot Link installé en usine.

✚ Uniquement disponible avec les modèles possédant un Universal Sonar installé en usine.

➔ Uniquement disponible avec les modèles possédant un système MEGA Down Imaging intégré installé en usine.

SCHÉMA DES PIÈCES ET LISTE DES PIÈCES

N° d'Article	N° de Pièce	Description	Remarques	Quantité
244	640-149	LEADWIRE RED 10 AWG 88 GPT	*4,5* *POUSSÉE DE 112 LB (50,8 KG)* *72 PO (182,9 CM)*	1
	640-143	LEADWIRE RED 10 AWG 68 1/2" GPT	*POUSSÉE DE 112 LB (50,8 KG)* *54 PO (137,2 CM)*	1
	640-145	LEADWIRE RED 10 AWG 75 7/8" GPT	*POUSSÉE DE 112 LB (50,8 KG)* *60 PO (152,4 CM)*	1
▲	✘	BRUSH HOLDER	*4,5* *POUSSÉE DE 112 LB (50,8 KG)*	2
246	9-738-011	BRUSH PLATE	*4,5* *POUSSÉE DE 112 LB (50,8 KG)*	1
	2-600-244	BRUSH PLATE ASM 4.5" HAND 62"	*POUSSÉE DE 112 LB (50,8 KG)*	1
	2-600-249	BRUSH PLATE ASM 4.5" 72"	*POUSSÉE DE 112 LB (50,8 KG)*	1
248	2260731	TERMINAL 1/4" MALE TAB-THREE	*4,5* *POUSSÉE DE 112 LB (50,8 KG)*	2
250	2307312	BEAD-FERRITE		1
252	2-100-245	ARMATURE ASY 4.5"LWR UNIT	*POUSSÉE DE 112 LB (50,8 KG)* *4,5*	1
254	140-014	BEARING-BALL 6000	*POUSSÉE DE 112 LB (50,8 KG)* *4,5*	1
256	✘	CTR HSG ASY 4.5" MAG FW CB	*POUSSÉE DE 112 LB (50,8 KG)* *4,5*	1
258	2-300-155	BRUSH END HSG ASY 4.5" FW	*POUSSÉE DE 112 LB (50,8 KG)* *4,5*	1
260	✘	PLN END HSG 4.5" US2.5 PNT FW	*POUSSÉE DE 112 LB (50,8 KG)* *4,5*	1
262	701-009	O-RING	*POUSSÉE DE 112 LB (50,8 KG)* *4,5*	2
264	701-098	O-RING, 98MM X 2MM	*POUSSÉE DE 112 LB (50,8 KG)* *4,5*	1
266	701-103	O-RING,103MM X 3.00MM, 70 BUNA	*POUSSÉE DE 112 LB (50,8 KG)* *4,5*	1
268	2053410	SCREW-#8-32 X 1/2 TRI-LOBE HEX	*POUSSÉE DE 112 LB (50,8 KG)* *4,5*	2
270	830-094	THRU BOLT 12-24 X10.31	*80LB THRUST* *4,0* *POUSSÉE DE 112 LB (50,8 KG)* *4,5*	2
272	990-051	WASHER - STEEL THRUST	*80LB THRUST* *4,0* *POUSSÉE DE 112 LB (50,8 KG)* *4,5*	1
274	990-052	WASHER - NYLATRON	*80LB THRUST* *4,0* *POUSSÉE DE 112 LB (50,8 KG)* *4,5*	1
276	640-316	LEADWIRE BROWN 18 AWG 71" GPT	*POUSSÉE DE 55 LB (25 KG)* *POUSSÉE DE 80 LB (36,3 KG)* *4,0* *POUSSÉE DE 112 LB (50,8 KG)* *4,5*	1
	640-315	LEADWIRE BROWN 18 AWG 62" GPT	*POUSSÉE DE 80 LB (36,3 KG)* *4,0*	1
	640-317	LEADWIRE BROWN 18 AWG 86" GPT	*POUSSÉE DE 80 LB (36,3 KG)* *4,0* *POUSSÉE DE 112 LB (50,8 KG)* *4,5*	1
278	582-016	CLIP-RETAINING, SONAR	*POUSSÉE DE 112 LB (50,8 KG)* *4,5*	1
280	992-011	WASHER - BELLEVILLE	*POUSSÉE DE 112 LB (50,8 KG)* *4,5*	2
282	2302104	SCREW-#6-20 X 3/8 THD CUTS	*POUSSÉE DE 80 LB (36,3 KG)* *4,0* *POUSSÉE DE 112 LB (50,8 KG)* *4,5*	1
284	230-038	CABLE CLAMP	*POUSSÉE DE 80 LB (36,3 KG)* *4,0* *POUSSÉE DE 112 LB (50,8 KG)* *4,5*	1
286	990-011	WASHER-SHIM OD 1",ID.630"SS	*POUSSÉE DE 112 LB (50,8 KG)* *4,5*	1
288	788-040	RETAINING RING		1
290	880-025	SEAL		2
▲	✘	RIVET - .25"	*4,0* *POUSSÉE DE 80 LB (36,3 KG)* *4,5* *POUSSÉE DE 112 LB (50,8 KG)*	6
292	725-035	PAPER TUBE, SEAL		1
294	144-017	BEARING, FLANGE		1
296	3393450	SCREW-#6-19 X.75 PPH HI-LOW SS		4
298	2323429	SCREW #6-32 X .50" SS BHCS		1
300	2321523	COLLAR-FRONT, LIFT ASSIST, FW		1
302	2321527	COLLAR-BACK, LIFT ASSIST, FW		1
304	2323110	NUT-HEX, 6-32 NYLOK SS		1

▲ Non visible sur le schéma des pièces.

✘ Cette pièce est incluse dans un ensemble et ne peut pas être commandée individuellement.

◆ Uniquement disponible avec les modèles possédant un système i-Pilot installé en usine.

● Uniquement disponible avec les modèles possédant un i-Pilot Link installé en usine.

✚ Uniquement disponible avec les modèles possédant un Universal Sonar installé en usine.

➔ Uniquement disponible avec les modèles possédant un système MEGA Down Imaging intégré installé en usine.

SCHÉMA DES PIÈCES ET LISTE DES PIÈCES

BOÎTIER DU GOUVERNAIL TERROVA

Schéma des Pièces du Boîtier de Direction

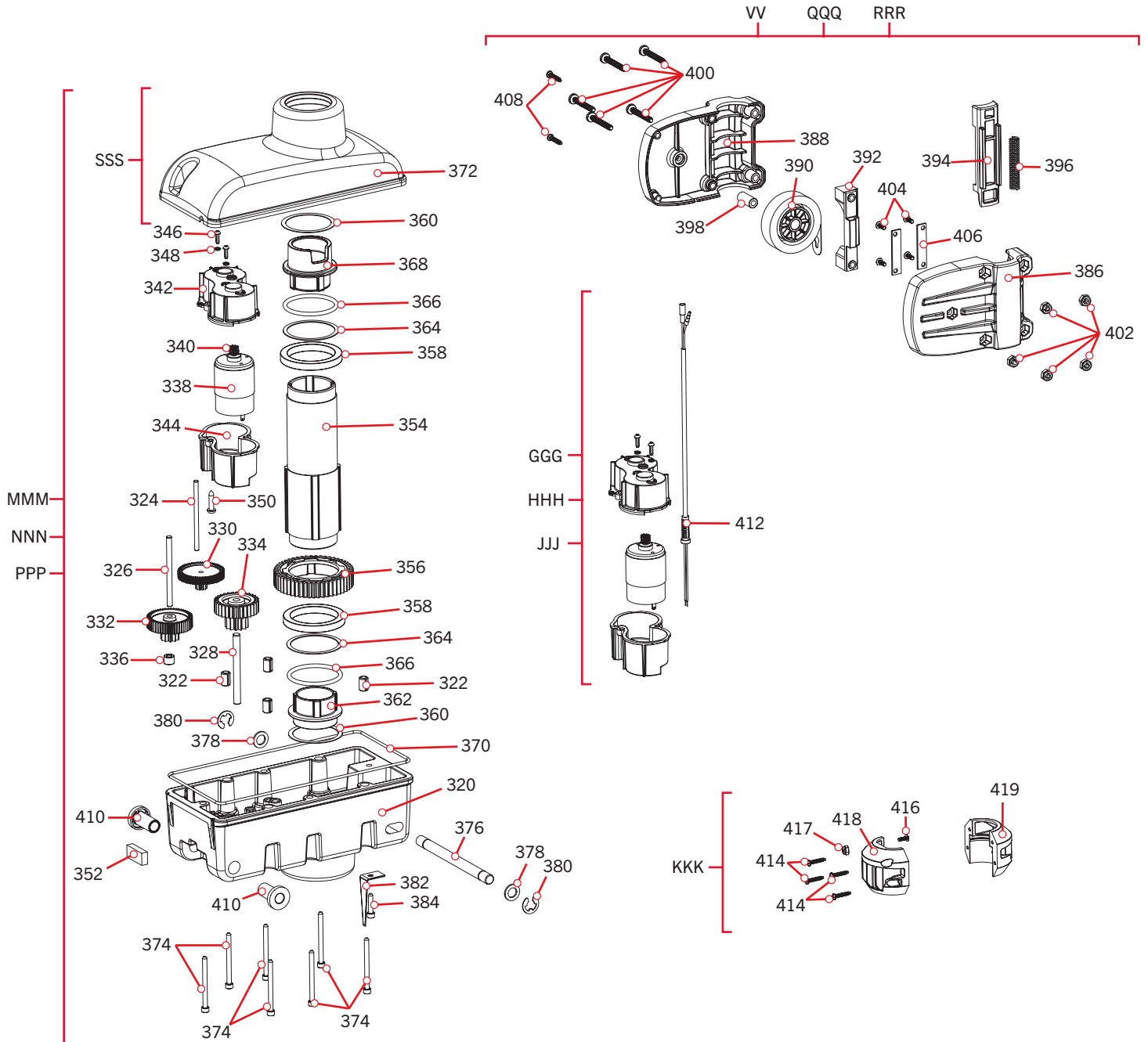


SCHÉMA DES PIÈCES ET LISTE DES PIÈCES

» Liste des Pièces du Boîtier de Direction

Ensemble	N° de Pièce	Description	Remarques	Quantité
MMM	2997060	STEERING HSG ASM 12V FW		1
NNN	2997061	STEERING HSG ASM 24V FW		1
PPP	2997062	STEERING HSG ASM 36V FW		1
VV	2992727	LIFT ASSIST ASM 55# FW PA6		1
QQQ	2992728	LIFT ASSIST ASM 80# FW PA6		1
RRR	2992729	LIFT ASSIST ASM 112# FW PA6		1
SSS	2776561	STEERING HSG TOP FW/GEAR KIT		1
GGG	2777060	STEERING MOTOR KIT, 12V T2		1
HHH	2777061	STEERING MOTOR KIT, 24V T2		1
JJJ	2777062	STEERING MOTOR KIT, 36V FW T2		1
KKK	2771522	COLLAR-FRONT/BACK, LIFT KT		1
N° d'Article	N° de Pièce	Description	Remarques	Quantité
320	2326566	HOUSING-STEERING, BTM, FW		1
322	✘	PIN-ROLL 5/16" X 1/2"		4
324	✘	SHAFT-GEAR, FIRST CLUSTER		1
326	✘	SHAFT-GEAR,INTERMED.CLUSTER		1
328	✘	SHAFT-GEAR, THIRD CLUSTER		1
330	2322210	GEAR & PINION, DR.HSG, STAGE 2		1
332	2302250	GEAR & PINION,DR. HSG, STAGE 3		1
334	2302255	GEAR & PINION,DR. HSG, STAGE 4		1
336	2321730	SPACER,GEAR CLUSTER		1
338	✘	MOTOR, STEERING 12V FW T2		1
	✘	MOTOR, STEERING 24V FW T2		1
	✘	MOTOR, STEERING 36V FW T2		1
340	2322215	GEAR-PINION, DR.HSG, STAGE 1		1
342	2322520	CASE-MOTOR,STRG HSG,TOP		1
344	2322525	CASE-MOTOR,STRG HSG,BTM		1
346	2053422	SCREW-X6 X /375 PLASTITE SS		2
348	2051710	SPLIT LOCK WASHER 3MM		2
350	2043412	SCREW-#8-18 X 3/4 TY AB SS PPH		1
352	2308601	BREATHER FILTER, DR.HOUSING		1
354	2322030	TUBE-OUTPUT, MACHINED		1
356	2322200	GEAR-OUTPUT		1
358	2327308	BEARING-BALL,SEALED		2
360	2321704	WASHER-THRUST, STEERING		2

▲ Non visible sur le schéma des pièces.

✘ Cette pièce est incluse dans un ensemble et ne peut pas être commandée individuellement.

◆ Uniquement disponible avec les modèles possédant un système i-Pilot installé en usine.

● Uniquement disponible avec les modèles possédant un i-Pilot Link installé en usine.

✚ Uniquement disponible avec les modèles possédant un Universal Sonar installé en usine.

➔ Uniquement disponible avec les modèles possédant un système MEGA Down Imaging intégré installé en usine.

SCHÉMA DES PIÈCES ET LISTE DES PIÈCES



N° d'Article	N° de Pièce	Description	Remarques	Quantité
362	2321510	COLLAR-DRIVE,BOTTOM		1
364	2321720	SHIM,O-RING		2
366	2324608	O-RING,224, STR HSG		2
368	2321530	LINER OUTPUT TUBE,LFT AST		1
370	2324604	O-RING, CASE SEAL		1
372	✖	HOUSING-STEERING, TOP, FW		1
374	2323408	SCREW-#8-32 X 2.0 SHCS SS		7
376	2322600	PIN-LATCH, ZP		1
378	2321702	WASHER-FLAT .375 NYLON		2
380	2263011	E-RING 3/8 DIA. SHAFT*		2
382	2322702	SPRING, LATCH PIN SS		2
384	2323410	SCREW-#8-32 X .75 SHCS SS		1
386	2326547	HOUSING-RIGHT, LIFT ASSIST PA6		1
388	2326542	HOUSING-LEFT, LIFT ASSIST PA6		1
390	2997900	ASM-HUB/SPRING, 55# SS		1
	2997901	ASM-HUB/SPRING, 80# SS		1
	2997902	ASM-HUB/SPRING, 112# SS		1
392	2322300	GUIDE,DR.DOG, LIFT ASSIST		1
394	2328605	ENGAGEMENT DOG, LIFT ASST		1
396	2322726	SPRING,COMPRESSION,.360" OD SS		1
398	2322610	PIN-AXLE, LIFT ASSIST		1
400	2323430	SCREW-#10-24 X 1-3/8, PPH		5
402	2333101	NUT-HEX #10-24 UNC-2B NYL SS		5
404	2372103	SCREW-#6 X .375 PLASTITE SS		4
406	2321955	BRACKET, LIFT ASSIST		2
408	3393450	SCREW-#6-19 X .75 PPH HI-LO		2
410	2327310	BUSHING, PIVOT PIN		2
412	✖	LEADWIRE, STEERING MOTOR		1
414	3393450	SCREW-#6-19 X.75 PPH HI-LOW SS		4
416	2323429	SCREW #6-32 X .50" SS BHCS		1
417	2323110	NUT-HEX, 6-32 NYLOK SS		1
418	2321523	COLLAR-FRONT, LIFT ASSIST, FW		1
419	2321527	COLLAR-BACK, LIFT ASSIST, FW		1

▲ Non visible sur le schéma des pièces.

✖ Cette pièce est incluse dans un ensemble et ne peut pas être commandée individuellement.

◆ Uniquement disponible avec les modèles possédant un système i-Pilot installé en usine.

● Uniquement disponible avec les modèles possédant un i-Pilot Link installé en usine.

✚ Uniquement disponible avec les modèles possédant un Universal Sonar installé en usine.

➔ Uniquement disponible avec les modèles possédant un système MEGA Down Imaging intégré installé en usine.



SCHÉMA DES PIÈCES ET LISTE DES PIÈCES

PÉDALE TERROVA

Schéma des Pièces de la Pédale

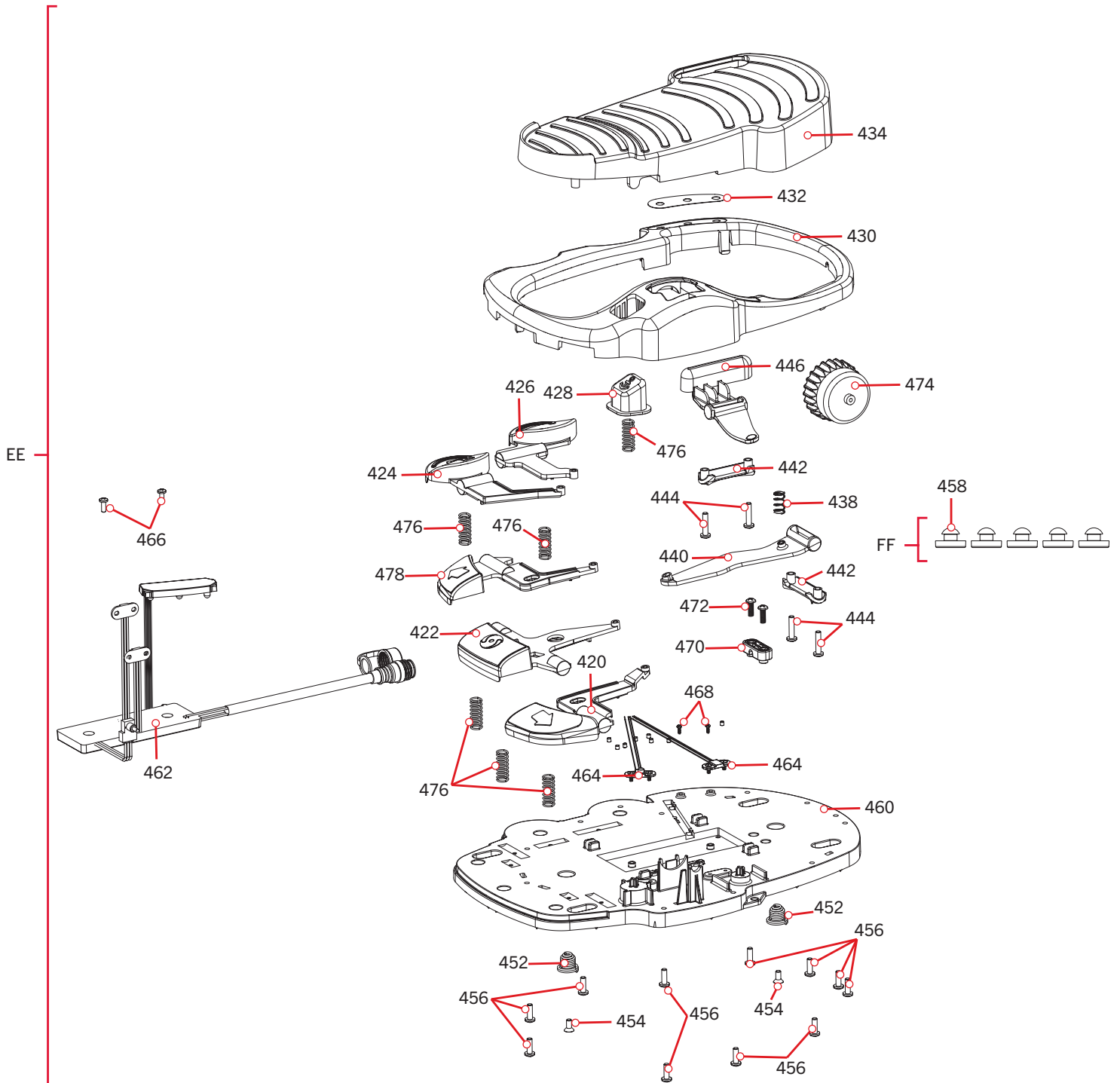


SCHÉMA DES PIÈCES ET LISTE DES PIÈCES

› Liste des Pièces de la Pédale

Ensemble	N° de Pièce	Description	Remarques	Quantité
EE	2994722	FOOT PEDAL ASM, TRV BT		1
FF	2994859	BAG ASY-TERROVA/V2,RUB.BUMPERS		1
N° d'Article	N° de Pièce	Description	Remarques	Quantité
420	2323731	BUTTON, RIGHT STEER, TERROVA		1
422	2323735	BUTTON, MOMENTARY, TERROVA		1
424	2323715	BUTTON,MOM/CON,FT PEDAL		1
426	2323725	BUTTON,AP,FT PEDAL		1
428	2203720	BUTTON, SPOT LOCK,ULTERRA/TRRV		1
430	2320206	COVER,HEEL TOE FT PED,TRV		1
432	2325655	DECAL, 3 INDICATORS, TERROVA		1
434	2324401	PEDAL,HEEL/TOE FOOT PEDAL		1
438	2322714	SPRING SS		1
440	2328600	FLEX FINGER, FOOT PEDAL		1
442	2321300	CLAMP, FT PEDAL		2
444	2223430	SCREW-#8x3/4 PPH,TYPE 25,SS		4
446	2323710	BUTTON,MOM,FT PEDAL		1
452	2322706	SPRING-BARREL SS		2
454	2323420	SCREW-#8-18 X 3/8" PFH SS TY B		2
456	2301310	SCREW-#8-18 X 1/2 (SS)*		11
458	2325110	PAD, FOOT PEDAL		5
460	2204500	BASE PLATE-ULTERRA / TERROVA		1
462	*	CONTROL BOARD ASSY, FOOT PEDAL, TERROVA		1
464	2373440	SCREW-#4-24 X 1/4 PHCR SS TY B		4
466	2332103	SCREW-#6-20 X 3/8 THD*(SS)		2
468	2302100	SCREW-#6-20 X 1/2 THD CUTS		2
470	2322900	STRAIN RELIEF, FOOT PEDAL		1
472	2372100	SCREW-#8-18 X 5/8 THD* (SS)		2
474	2320100	KNOB-SPEED, FOOT PEDAL		1
476	2322704	SPRING, LARGE SHORT SS		6
478	2323730	BUTTON, LEFT STEER, TERROVA		1

▲ Non visible sur le schéma des pièces.

✘ Cette pièce est incluse dans un ensemble et ne peut pas être commandée individuellement.

◆ Uniquement disponible avec les modèles possédant un système i-Pilot installé en usine.

● Uniquement disponible avec les modèles possédant un i-Pilot Link installé en usine.

✚ Uniquement disponible avec les modèles possédant un Universal Sonar installé en usine.

➔ Uniquement disponible avec les modèles possédant un système MEGA Down Imaging intégré installé en usine.

SCHÉMA DES PIÈCES ET LISTE DES PIÈCES

SUPPORT TERROVA >

> Schéma des Pièces du Support

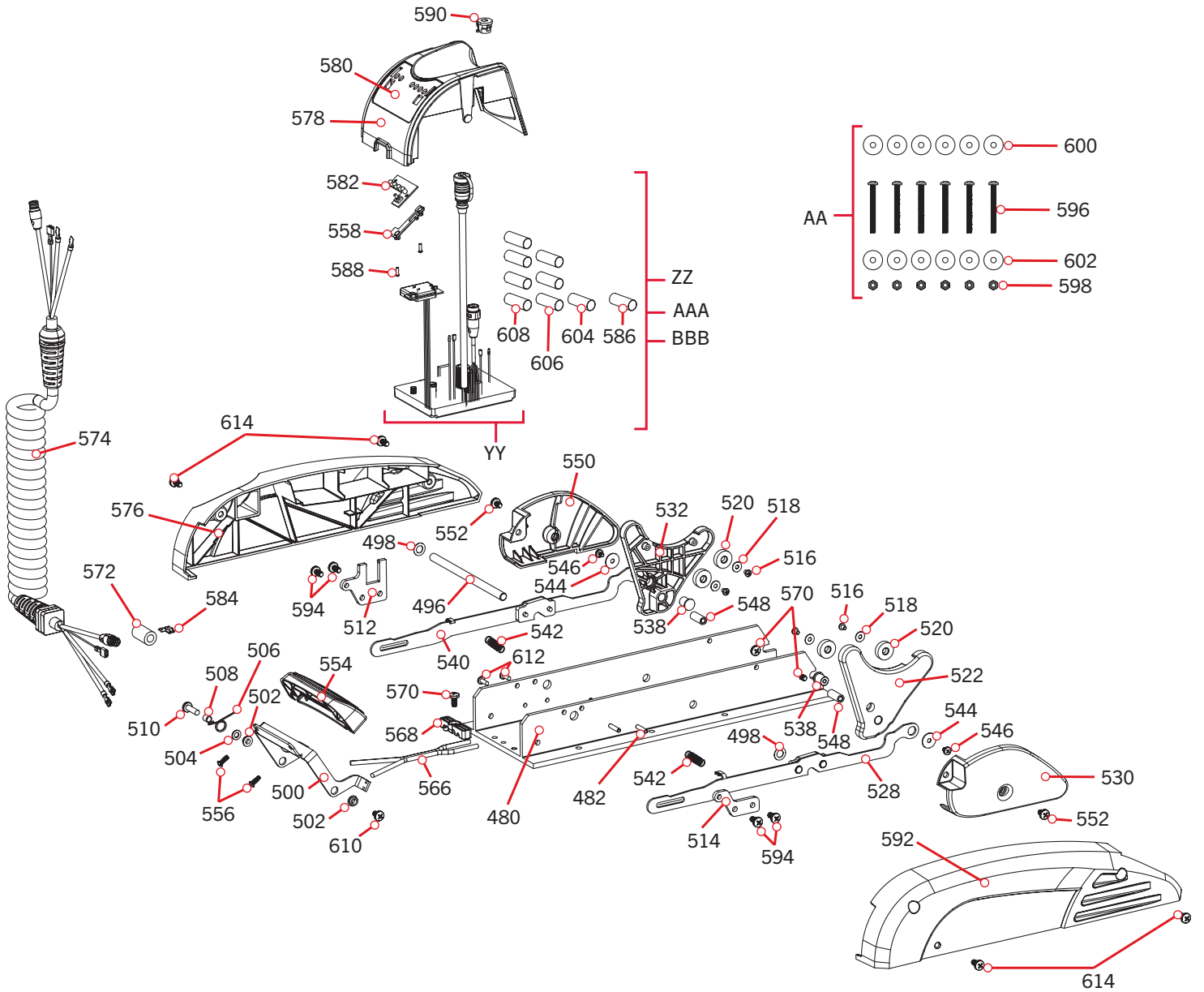


SCHÉMA DES PIÈCES ET LISTE DES PIÈCES

» Liste des Pièces du Support

Ensemble	N° de Pièce	Description	Remarques	Quantité
YY	2774065	CONTROL BRD, 12V TERROVA BT	*SANS GAINES THERMORÉTRÉCISSABLES*	1
ZZ	2774066	CTRL BRD, 24/36V TRV BT w/SHRNK	*AVEC GAINES THERMORÉTRÉCISSABLES*	1
AAA	2774067	CTRL BRD, 12V IP TRV BT w/SHRNK	*AVEC GAINES THERMORÉTRÉCISSABLES* *i-PILOT/i-PILOT LINK*	1
BBB	2774069	CTRL BRD, 24/36V IP TRV BT, SHRNK	*AVEC GAINES THERMORÉTRÉCISSABLES* *i-PILOT/i-PILOT LINK*	1
AA	2994864	BAG ASSY-TERROVA/V2,MNTG HDW		1
N° d'Article	N° de Pièce	Description	Remarques	Quantité
480	2321907	BASE, EXTRUSION, MACHINED		1
482	2322912	PIN-ROLL .1875 X 1.000 SS		2
▲	2325502	DECAL, STOW / DEPLOY, T2		1
496	2322602	PIN-PIVOT, ZP		1
498	2013100	NUT-SPEED		2
500	2320405	HANDLE, RELEASE, FW		1
502	2322604	BUSHING,HANDLE,GOBEIL		2
504	2071716	WASHER-FLAT SS .253 x .470		1
506	2322701	SPRING, TORSION		1
508	2301700	SPACER-RELEASE LEVER-BRASS		1
510	2073408	SCREW-1/4-20 X 7/8 PPH S/S		1
512	2321940	BRACKET, STRAIN RELIEF FW		1
514	2321950	BRACKET, SIDEPLATE FW		1
516	2323412	SCREW-#8-18 X .25 PPH SS TY B		4
518	2321706	WASHER-FLAT #8 .50 OD/.188 SS		4
520	2325115	PAD, RUBBER REST, BLACK		4
522	2323910	RAMP-MOTOR, RIGHT 3-5/8"	*POUSSÉE DE 55 LB (25 KG)*	1
	2323930	RAMP-MOTOR, RIGHT 4"	*POUSSÉE DE 80 LB (36,3 KG)*	1
	2323931	RAMP-MOTOR, RIGHT 4.5"	*POUSSÉE DE 112 LB (50,8 KG)*	1
528	2994204	ARM/SUPPORT BLOCK ASSY,R,FW		1
530	2321920	PLATE-SKID, RIGHT FW	*4,0* *3,625* *POUSSÉE DE 55 LB (25 KG)* *POUSSÉE DE 80 LB (36,3 KG)*	1
	2321922	PLATE-SKID, RIGHT FW	*4,5* *POUSSÉE DE 112 LB (50,8 KG)*	1
532	2323915	RAMP-MOTOR, LEFT 3 5/8"	*POUSSÉE DE 55 LB (25 KG)*	1
	2323935	RAMP-MOTOR, LEFT 4"	*POUSSÉE DE 80 LB (36,3 KG)*	1
	2323936	RAMP-MOTOR, LEFT 4.5"	*POUSSÉE DE 112 LB (50,8 KG)*	1
538	2324705	INSERT-MOTOR RAMP,METAL,ZP		2
540	2994202	ARM/SUPPORT BLOCK ASSY,L,FW		1
542	2322716	SPRING, EXTENSION, T2		2
544	2321700	WASHER #10 SS		2
546	2323422	SCREW-#10-24 X .25" PPH SS MCH		2

▲ Non visible sur le schéma des pièces.

✘ Cette pièce est incluse dans un ensemble et ne peut pas être commandée individuellement.

◆ Uniquement disponible avec les modèles possédant un système i-Pilot installé en usine.

● Uniquement disponible avec les modèles possédant un i-Pilot Link installé en usine.

✚ Uniquement disponible avec les modèles possédant un Universal Sonar installé en usine.

➔ Uniquement disponible avec les modèles possédant un système MEGA Down Imaging intégré installé en usine.

SCHÉMA DES PIÈCES ET LISTE DES PIÈCES



N° d'Article	N° de Pièce	Description	Remarques	Quantité
548	2322920	STAND-OFF, ALUMINUM PLAIN		2
550	2321925	PLATE-SKID, LEFT FW	*4,0* *3,625* *POUSSÉE DE 55 LB (25 KG)* *POUSSÉE DE 80 LB (36,3 KG)*	1
	2331927	PLATE-SKID, LEFT FW	*4,5* *POUSSÉE DE 112 LB (50,8 KG)*	1
552	2323403	SCREW-1/4-20 X.375 MCH SS CRPH		2
554	2320217	COVER, HANDLE COSMETIC FW		1
556	2383446	SCREW-#8-16 X .50" PLASTITE SS		2
558	2320830	LOCKING TAB,PWR/BAT.METER		1
▲	2383428	SCREW-#4-24 X 3/8 HI-LO SS		2
▲	2320203	CAP-DUST,CONNECTOR,FEMALE		1
▲	2323406	SCREW-#10-24 X .50 CRPH SS		2
566	2090651	LEADWIRE,10 GA		1
568	2321310	STRAIN RELIEF		1
570	2323405	SCREW-1/4-20 X 1/2" MCH SS		3
572	2307313	BEAD-FERRITE		1
574	2991274	COIL CORD ASSY 45"/48" U.SONAR	*45 PO (114,3 CM)*	1
	2991272	COIL CORD ASY 54"/60" U.SONAR	*54 PO (137,2 CM)* *NON US2* *NON MDI*	1
	2991271	COIL CORD ASY 54"/60" NON-US2	*54 PO (137,2 CM)* *60 PO (152,4 CM)*	1
	2991276	COIL CORD ASSY 72" U.SONAR	*72 PO (182,9 CM)*	1
576	2323927	SIDEPLATE-LEFT, TERROVA		1
578	2326530	HOUSING-CENTER, TERROVA		1
580	2325657	DECAL, B. MTR/CON/PWR/STATUS FW		1
582	2074070	BATTERY METER, 12V, FW	*POUSSÉE DE 55 LB (25 KG)*	1
	2074071	BATTERY METER, 24V, FW	*POUSSÉE DE 80 LB (36,3 KG)*	1
	2074072	BATTERY METER, 36V, FW	*POUSSÉE DE 112 LB (50,8 KG)*	1
584	2320710	TERMINAL-AMP (T-TAB)		1
586	2325401	SHRINK TUBE-3/4 ID X 2" W/ADHS		1
▲	2321315	HOLDER-CONNECTOR,NYLON,BLACK		1
588	2383428	SCREW-#4-24 X 3/8 HI-LO SS		2
590	2322901	STRAIN RELIEF, HEYCO P/N 1852		1
592	2323922	SIDEPLATE-RIGHT, TERROVA		1
594	2323404	SCREW-1/4-20 X 1/2" T-L ZP		4
596	2263462	SCREW-1/4-20 X 2" S/S PPH ADJT		6
598	2263103	NUT-1/4-20 NYLOCK SS		6
600	2301720	WASHER-MOUNTING - RUBBER		6
602	2261713	WASHER-1/4 FLAT 18-8 SS		6
604	2305415	SHRINK TUBE-.472 ID X 2.25"		1
606	2305410	SHRINK TUBE-.315 OD X 2.25"		3

▲ Non visible sur le schéma des pièces.

✖ Cette pièce est incluse dans un ensemble et ne peut pas être commandée individuellement.

◆ Uniquement disponible avec les modèles possédant un système i-Pilot installé en usine.

● Uniquement disponible avec les modèles possédant un i-Pilot Link installé en usine.

✚ Uniquement disponible avec les modèles possédant un Universal Sonar installé en usine.

➔ Uniquement disponible avec les modèles possédant un système MEGA Down Imaging intégré installé en usine.



SCHÉMA DES PIÈCES ET LISTE DES PIÈCES



N° d'Article	N° de Pièce	Description	Remarques	Quantité
608	2305401	SHRINK TUBE-.374 ID X `1.5"		4
610	2332104	SCREW-1/4-20 X 5/8 S/S		1
612	2323402	SCREW-1/4-20 X .375 T-L, ZP		2
614	2323405	SCREW-1/4-20 X 1/2" MCH SS		4
▲	2327130	MANUAL, TERROVA BT	*ONLINE*	1
▲	2327132	MANUAL, INSTALL GUIDE, TRRV BT		1
▲	2397100 ♦	MANUAL, iPILOT 1.6	*ONLINE*	1
▲	2397102 ●	MANUAL, IPILOT 3.0	*ONLINE*	1
▲	2297165	MANUAL - DISCLAIMER. DOWNLOAD INFO		1

▲ Non visible sur le schéma des pièces.

✘ Cette pièce est incluse dans un ensemble et ne peut pas être commandée individuellement.

♦ Uniquement disponible avec les modèles possédant un système i-Pilot installé en usine.

● Uniquement disponible avec les modèles possédant un i-Pilot Link installé en usine.

✚ Uniquement disponible avec les modèles possédant un Universal Sonar installé en usine.

➔ Uniquement disponible avec les modèles possédant un système MEGA Down Imaging intégré installé en usine.



ACCESSOIRES RECOMMANDÉS

» CHARGEURS DE BATTERIE EMBARQUÉS ET PORTATIFS

Ne plus acheter de nouvelles batteries et commencer à prendre soin de celles déjà en votre possession. Plusieurs chargeurs peuvent en fait endommager les batteries à la longue, pouvant entraîner une autonomie réduite et une durée de vie plus courte. Les chargeurs Minn Kota à commande numérique assurent une charge rapide pour une protection et une durée de vie prolongée.



MK212PC



MK210D



MK110PD

» ANCRE POUR EAUX PEU PROFONDES TALON

Voici le tout nouveau Talon à nouvelle conception profilée. Talon est la seule ancre pour eaux peu profondes avec jusqu'à 15 pi (4,6 m) de profondeur d'ancrage, plusieurs modes d'ancrage et le contrôle à partir de la proue, du tableau arrière, de la console, de la télécommande ou d'un appareil mobile.



ÉCLAIRAGE DE TRAVAIL INTÉGRÉ

Vous permet de fixer les lignes et de travailler à partir du tableau arrière à tout moment de la journée, ou de la nuit. Comprend des lumières DEL blanches et bleues avec trois intensités.



JUSQU'À UNE PROFONDEUR DE 15 PI [4,6 M]

Contrôlez plus d'eau et attrapez plus de poissons avec la première ancre de 15 pi (4,6 m) pour eau peu profonde.



CONNECTIVITÉ BLUETOOTH®

Vous permet de contrôler votre Talon à partir de votre appareil mobile, ainsi que le mettre à jour facilement. Elle ouvre aussi la communication à d'autres options de contrôle.



D'AUTRES OPTIONS DE COMMANDE

- Panneau de commande
- Télécommande sans fil
- Application mobile
- Pédale sans fil
- Connectivité Humminbird^{MD}
- Télécommande i-Pilot^{MC} et i-Pilot Link



» ACCESSOIRES MINN KOTA

Nous offrons un large éventail d'accessoires pour les propulseurs électriques, y compris:

- Un Disjoncteur de 60 A
- Des Supports de Montage
- Des Ensembles Stabilisateur
- Des Rallonges de Poignée
- Des connecteurs de batterie
- Bacs à Batterie
- Des fiches de connexion rapide

