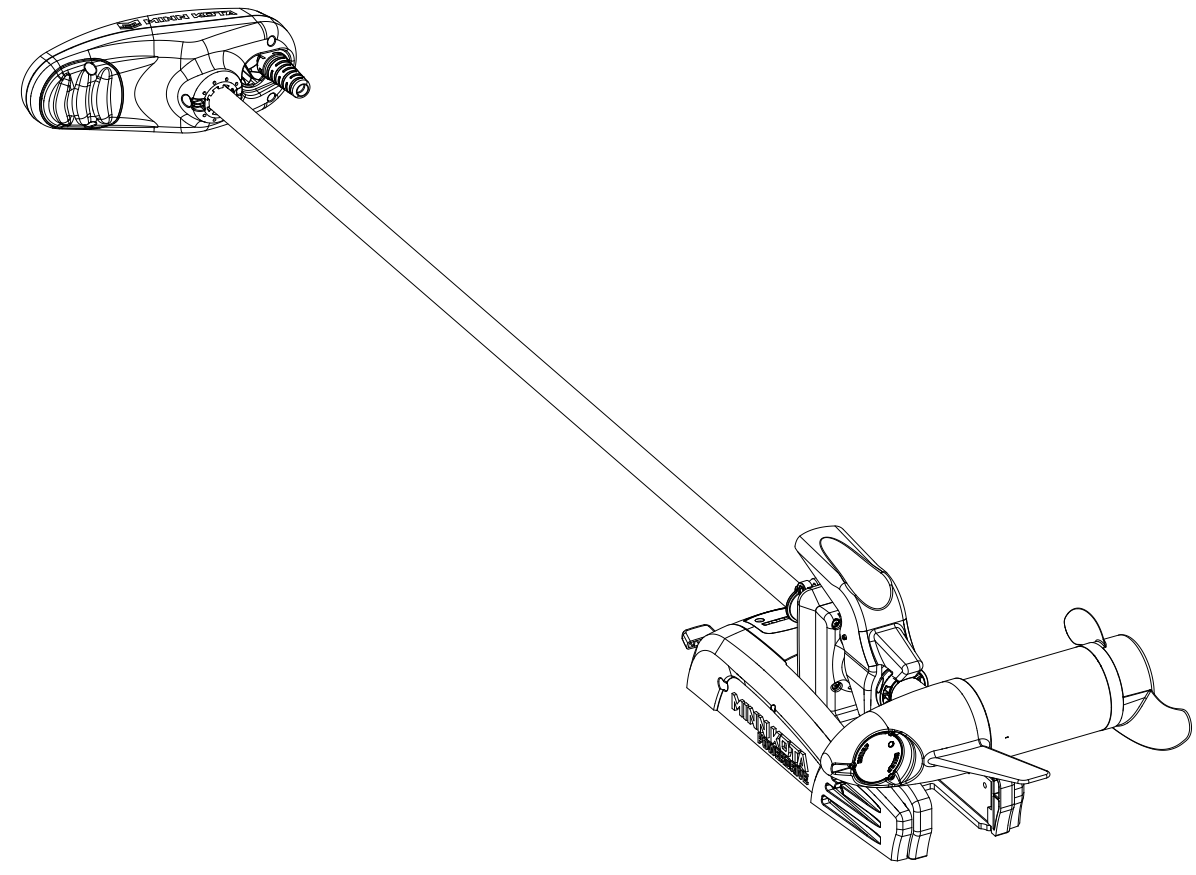
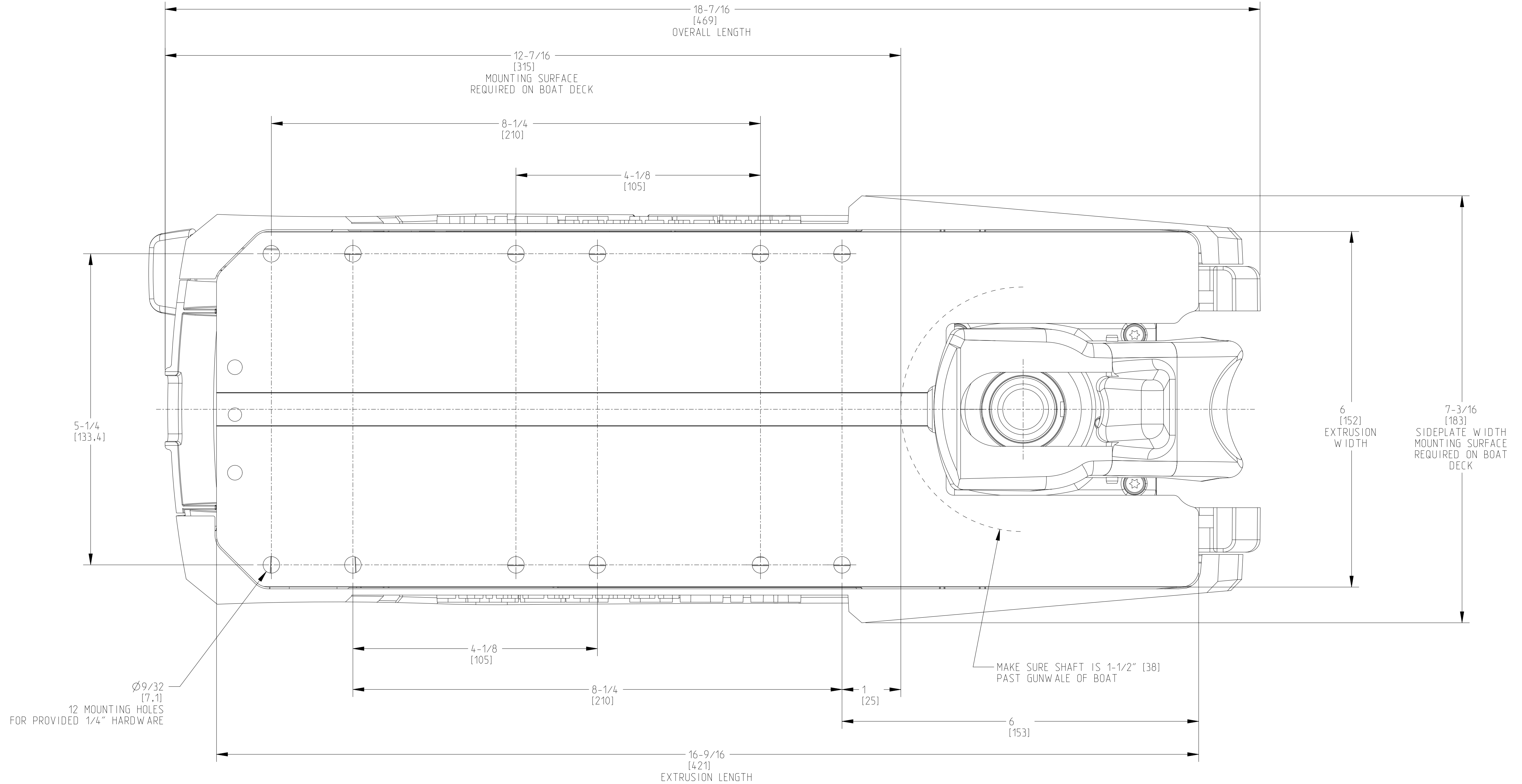


CD0012

REVISIONS				
REV.	ECN NO.	DESCRIPTION	BY	DATE
A	44092	RELEASE FOR PRODUCTION	NMB	06JUN2023



SCALE 0.125



CUSTOMER DRAWING

JOHNSON OUTDOORS
MARINE ELECTRONICS, INC.

DRAWING NAME: POWERDRIVE 45/55/70

DRAWING NO: CD0012

SHEET 1 OF 2

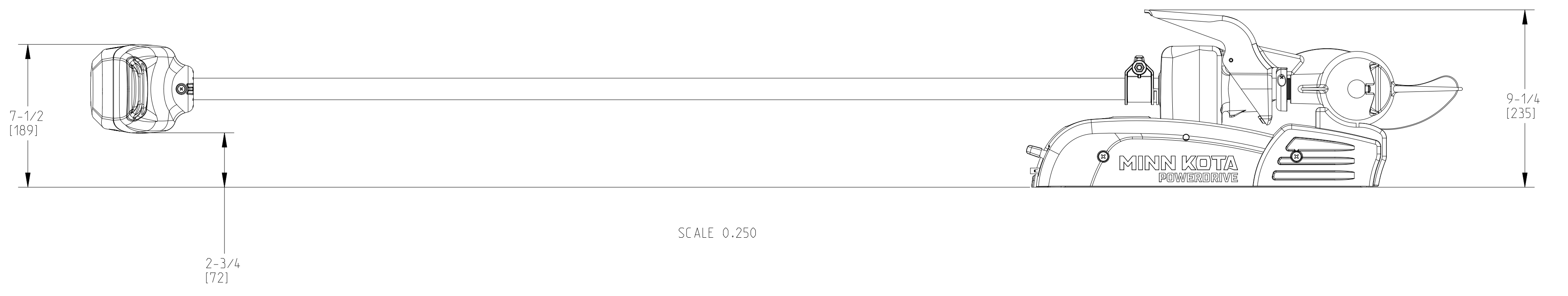
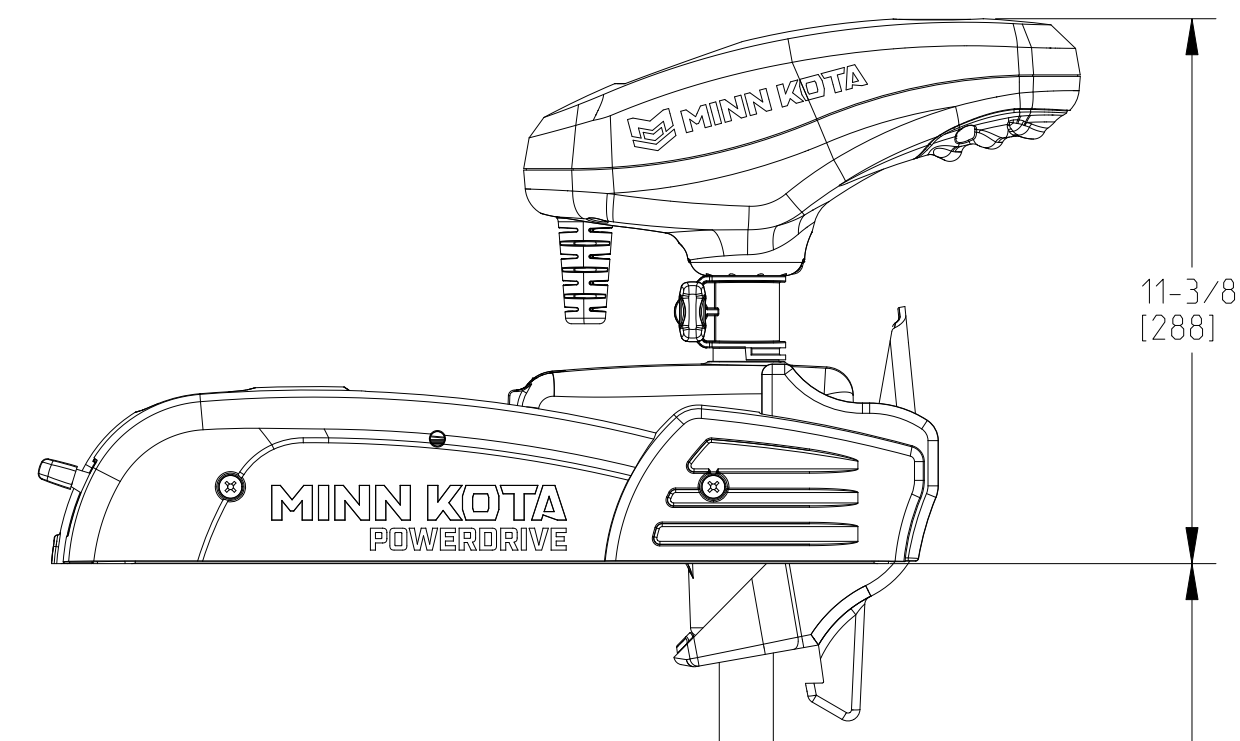
U/A IN. (MM)

REV: A

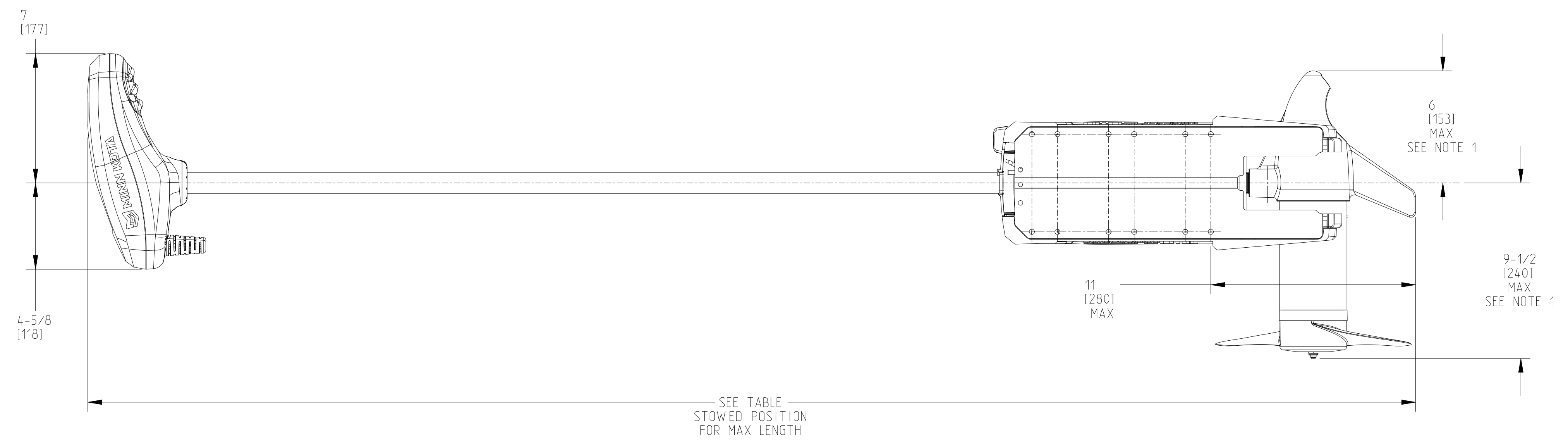
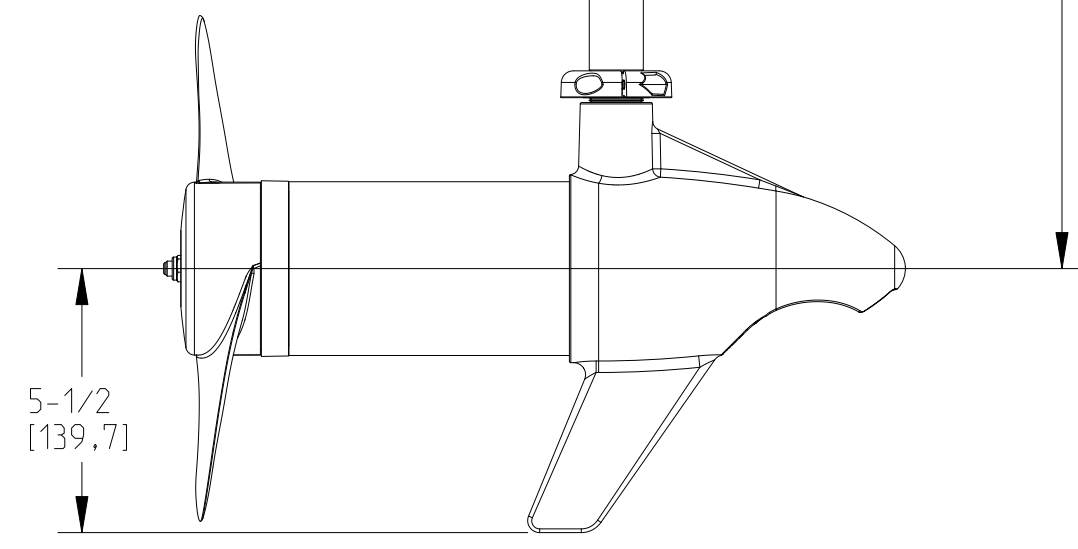
CAUTION: ALWAYS WEAR SAFETY GLASSES AND GLOVES. DISCONNECT ALL POWER BEFORE BEGINNING ANY WORK OR MAINTENANCE. JOHNSON OUTDOORS INC. IS NOT RESPONSIBLE FOR ANY DAMAGE DUE TO IMPROPER RIGGING OR INSTALLATION. IF YOU DO NOT HAVE THE SKILLS, EXPERIENCE AND TOOLS TO PERFORM THE FOLLOWING MAINTENANCE AND REPAIRS, WE RECOMMEND YOU SEEK THE HELP OF AN AUTHORIZED SERVICE CENTER. OR CONTACT OUR TECHNICAL SERVICE DEPARTMENT BY DIALING 800-227-6433.

CD0012

REV. ECN NO.		REVISIONS	BY	DATE
		DESCRIPTION		
		SEE SHEET 1		



SEE TABLE
DEPLOYED POSITION
FOR DEPTH



NOTES:
1. MOTOR IS ABLE TO BE ORIENTED
WITH PROP ON EITHER SIDE OF MOUNT

DEPLOYED POSITION	
MODEL	DEPTH
60"	54-1/2 [1384]
54"	48-1/2 [1232]
48"	42-1/2 [1080]

STOWED POSITION	
MODEL	MAX LENGTH
60"	71-1/2 [1816]
54"	65-1/2 [1664]
48"	59-1/2 [1511]

CAUTION: ALWAYS WEAR SAFETY GLASSES AND GLOVES. DISCONNECT ALL POWER BEFORE BEGINNING ANY WORK OR MAINTENANCE. JOHNSON OUTDOORS INC. IS NOT RESPONSIBLE FOR ANY DAMAGE DUE TO IMPROPER RIGGING OR INSTALLATION. IF YOU DO NOT HAVE THE SKILLS, EXPERIENCE AND TOOLS TO PERFORM THE FOLLOWING MAINTENANCE AND REPAIRS, WE RECOMMEND YOU SEEK THE HELP OF AN AUTHORIZED SERVICE CENTER. OR CONTACT OUR TECHNICAL SERVICE DEPARTMENT BY DIALING 800-227-6433.

CUSTOMER DRAWING
 JOHNSON OUTDOORS
 MARINE ELECTRONICS, INC.
 DRAWING NAME: POWERDRIVE 45/55/70
 DRAWING NO: CD0012
 SHEET OF: 1
 U/A: IN. (MM)
 REV: A