
Installation & Operation Instructions



Deluxe Stainless Steel LED Light

Model 23050A/23051A

23150A/23151A

To avoid the risk of accidents or damage to this product, it is **essential** to read these instructions **thoroughly** before this product is installed and used.

EN Edition
Jul 2017

Contents

Product Highlights	2
Specifications	2
Installation	2
Spot Light Installation	2
Remote Control Bracket Installation	4
Mounted Remote Control Installation	4
Electrical Wiring.....	5
Operation	6
Caution	6
Maintenance	6
Troubleshooting	7
Limited Warranty	8

Product Highlights

- ✪ Certified in compliance with IEC 60598-2-5:1998 (safety), EN 55015 + EN 61547 (CE), EN 301 489-1/-3 + EN 300 440-2 (RF), FCC Part 15B/15C (FCC), EN 60945 (marine), IP67.
- ✪ 350° two speed horizontal rotation, 60° vertical range.
- ✪ Digital remote control signal reliable and resistant to interference.
- ✪ 316 Stainless steel body.
- ✪ Completely waterproof – IP67.
- ✪ 12 Volts DC input power. (24Volts DC input power for 23150A / 23151A)

Specifications

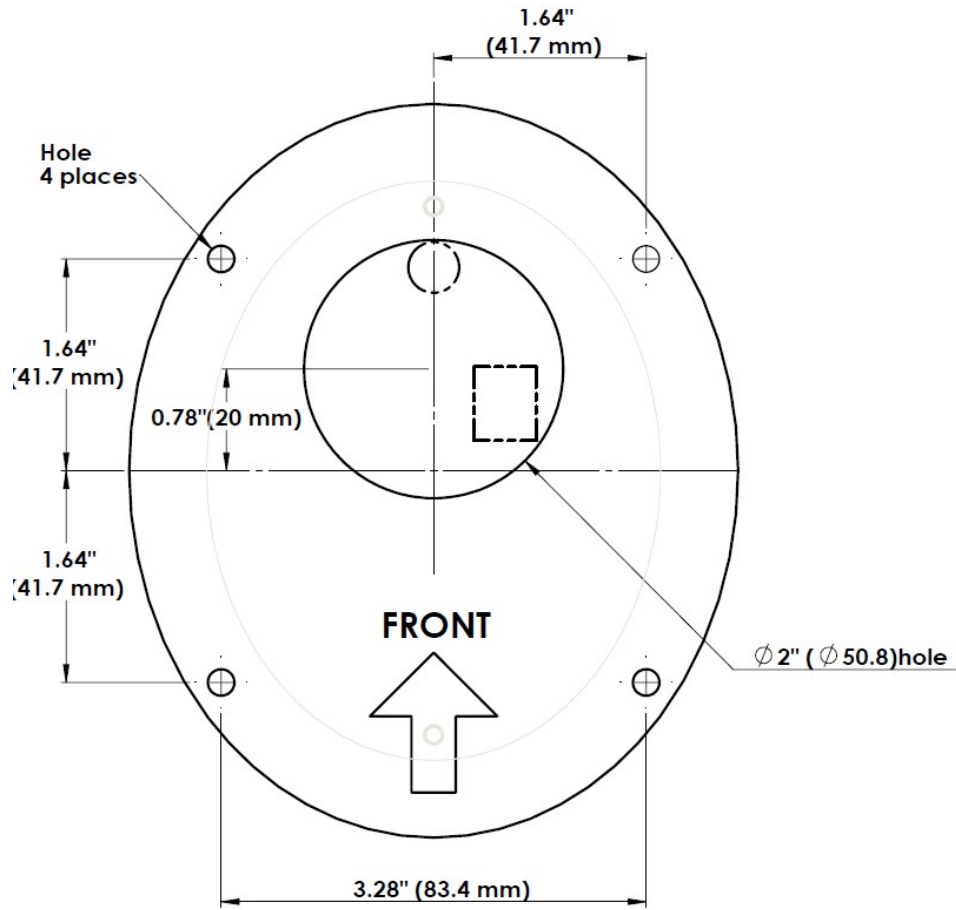
Material	Stainless steel 316
Styling	Classic
Light Source	High Power LED over-heating protection
Light Coverage	0.25 Lux @ 600m
Light Mode	Spot light
Rotation	350° horizontal (dual speed), 60° vertical, jam protection
Power Cable	3ft
Power Supply	12 VDC (24VDC for 24V version)
Size L x W x H	212 x 120 x 252 (mm)
Weight	11.37 lbs
Current Draw	3 Amp @12V (1.5Amp for 24V version)

Installation

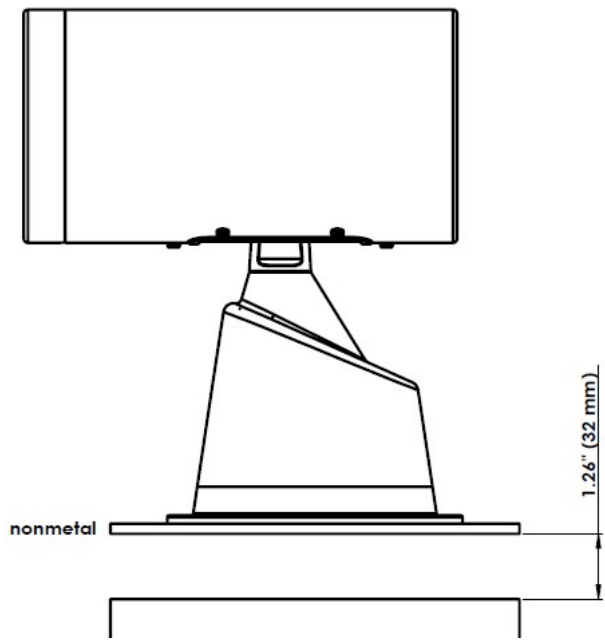
Spot Light Installation

1. The spot light should be installed on flat, level, and non-metal surface.
2. Make use of the foam gasket to mark mounting holes and wiring access (1 inch or 25.4 mm) on flat surface, see picture below. Make wiring access.
3. Route the power cable and signal lines through wiring access of the gasket and flat surface.
4. Secure deck mount by four (4) self-tapping screws of 1/4 inch (6 mm), or bolts and nuts.

! Remember to install the foam gasket, and ensure proper sealing.

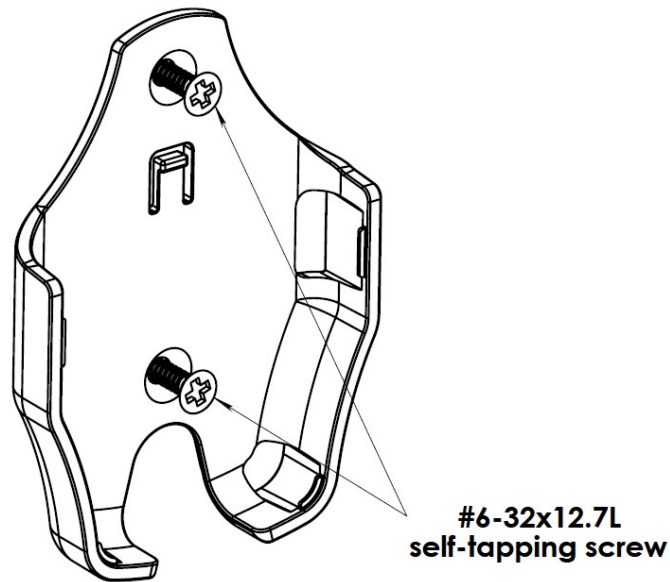


- ! Do not mount on metal surface; remote control will not work.
- ! Provide at least 1-1/4 inch (32 mm) clearance underneath the mounting surface to allow reception of remote signal. Remote control may not work if clearance is insufficient.



Remote Control Bracket Installation (Optional)

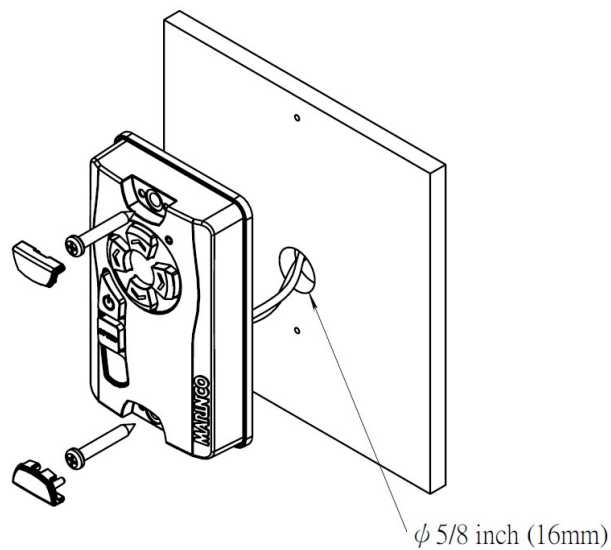
1. Take off mounting plate from the back of bracket. Secure mounting plate on selected location with the two (2) self-tapping screws that come with the product.
2. Fit bracket to mounting plate as shown in below.



I Provide water and weather protection for the location where remote control bracket is installed.

Mounted Remote Control Installation (For 23250-R / 23350-R)

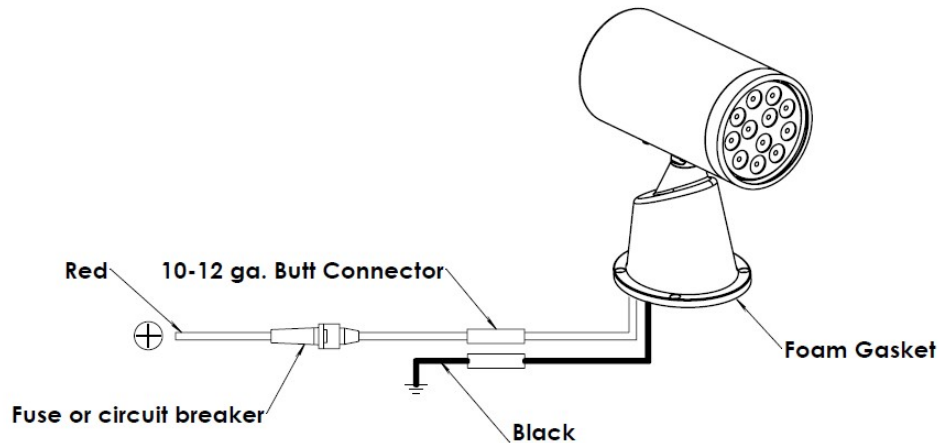
1. The mounted remote control should be installed on flat surface at a dry location.
2. Make wiring access of size 5/8 inch or 16 mm.
3. Route the power cable through wiring access.
4. Secure mounted remote control by two (2) M4 self-tapping screws. Put back the front caps.



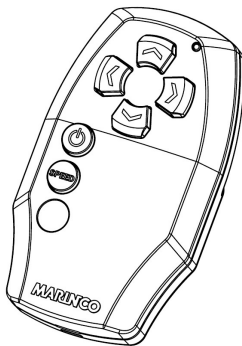
Electrical Wiring

1. Provide DC 12 Volt input power for 23050A / 23051A (Provide DC24 Volt input power for / A)
2. Protect input power positive (+) terminal with 10 A fuse or circuit breaker.
3. Use 12-gauge power cable for wiring distance not more than 30 ft (9 m), and use 10-gauge power cable for longer wiring distance.
4. According to your control device, see below and the diagram:
 - (a) If handheld remote control, no additional wiring needed.
 - (b) If flush mounted remote control, provide input power to the mounted remote control. Protect input power positive (+) terminal with 1 A fuse or circuit breaker.

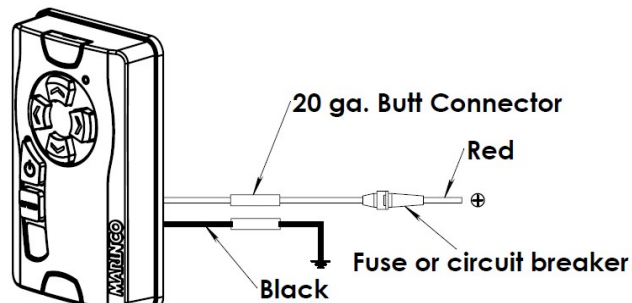
! Use correct product for your power source (DC12 or 24 Volt). Wrong voltage will damage product and may cause safety hazard.



(a)



(b)

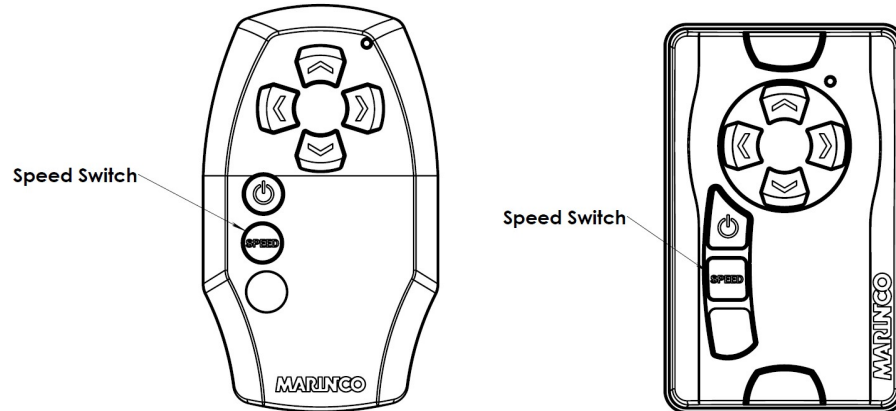


(c)

Operation

Remote Control

1. Press arrow key to control rotation of the spot light.
2. The speed switch (see picture below) is for horizontal rotation only.
3. Same operation for mounted remote control.



Caution

- !** The LED spotlight has over-heating protection when left running for too long. Upon the activation of the over-heating protection system, the product will turn off 6 or all 12 LED bulbs. The product will typically resume normal operation after 30 to 60 minutes. Continuous operation for more than two (2) hours should be avoided.
- !** **DO NOT** try to operate the product beyond angular range as it will damage the product.
- !** **DO NOT** press or hit the glass front cover.
- !** **DO NOT** look directly into the spot light while the product is in operation.
- !** **DO NOT** cover the light with any material, otherwise accidental activation of the product may result in fires.

Maintenance

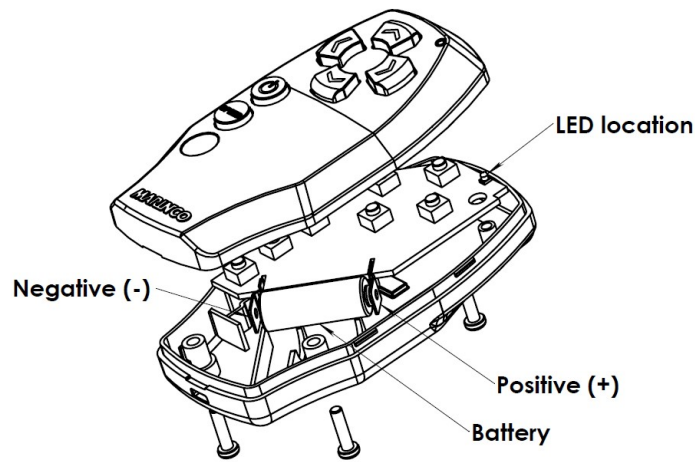
How to conduct general care ...

1. Use diluted neutral cleanser for general cleaning.
- !** Do not use other chemicals or abrasives.
2. No need to provide additional lubrication.

How to replace battery for remote control ...

1. Remove remote control from bracket.
2. Loosen the two (2) screws from back cover of remote control.
3. Carefully disassemble remote control, see details in picture below.
4. Replace the used 12V / A23 battery with new one.

5. Push any button to check if the LED indicator illuminate.



Which are replaceable parts ...

1. Controls:



Remote Options

	23250-R (Included with 23050A)	23350-R (Optional)	23250-HH (Optional)
Remote Specifications	12V Wireless Communication Bridge Remote	24V Wireless Communication Bridge Remote	Hand Held Bridge Remote
Power	12V DC	24V DC	Battery Operated
Wireless range	100 ft (30m)	100 ft (30m)	100 ft (30m)
Dimensions (WxHxD)	2.2"x 3.65"x 0.9"	2.2"x 3.65"x 0.9"	2.25"x 3.95"x 1.2"
Housing material	PC & ASA	PC & ASA	PC & ASA
Button material	Silicone (glow in the dark)	Silicone (glow in the dark)	Silicone (glow in the dark)

Troubleshooting

Installation work and repairs to electrical components of this product **must** only be carried out by a suitably **qualified and competent** person in accordance with current **local and national safety regulations**. Repairs and other work by unqualified persons could be dangerous. The manufacturer cannot be held liable for unauthorized work.

What to do if ...

... the spot light does not respond to remote control.

- ☞ Press and hold button for 2 seconds.
- ☞ Move to a location that is less than 15M away.

- Move to a location that has no obstructing structure between remote control and spot light.
- Make sure the light is not mounted on any metal surface and there is sufficient clearance below.
- Replace battery for remote control.
- Check whether the last digits of serial numbers inside light housing and inside remote control are identical.

... the LED does not light.

- The light may be turned off by over-heating protection. Turn off power to allow the light to cool down. The light will resume normal operation after 30 to 60 minutes typically.
- Examine the LED light assembly.
- Check if the wireless remote's battery is in good condition.(23250-HH).
- Check if the flush mount wireless remote's power connection is in good.(23250-R/23350-R)

... the spot light does not respond to any control.

- Check voltage of inboard battery.
 - Carefully uninstall the spot light. Examine all the electrical connections.
 - Check if the wireless remote's battery is in good condition.
 - Check if the flush mount wireless remote's power connection is in good condition.
- !** Do NOT replace a blown fuse until the cause of spot light malfunction is identified and resolved.
! DO NOT replace a blown fuse with a fuse that takes higher current.

... the spot light halt during operation.

- Return spot light and control to dealer for further inspection.

... the spot light cannot rotate in certain direction.

- Carefully uninstall the spot light and examine all the electrical connections and wire harness.
- Replace control.

... the brightness of the light significantly decreased.

- Replace **LED light assembly**.

For other problems, and when problem is not solved with the above tips ...

Return complete product with proper packaging to dealer for inspection. Include a description of the problem, user contact information, and proof of purchase if requesting warranty service.

Limited Warranty

For one (3) years from the date of original purchase, Marinco will, at its discretion, repair or replace for the original consumer, free of charge, any parts found defective in material or workmanship. All transportation charges under this warranty must be borne by the consumer.

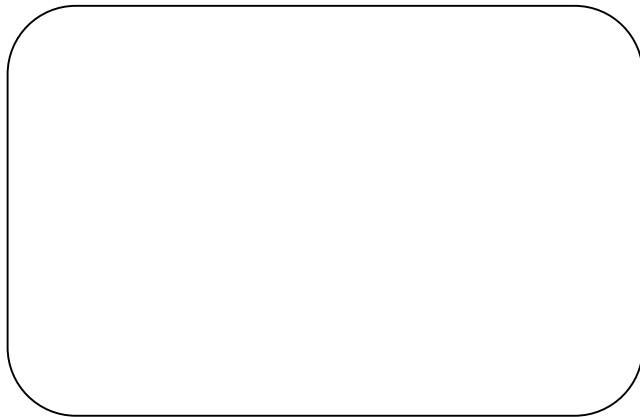
Proof of purchase is required: A computerized register receipt is required. Hand-written receipts are not accepted for warranty proof of purchase. In the absence of a receipt, warranty period will be calculated from date of manufacture printed or stamped on the product.

There is no other expressed warranty. Implied warranties, including those of merchantability and fitness for a particular purpose, are limited to one (3) years from the date of purchase. This is the exclusive remedy and consequential damages are excluded where permitted by law.

This warranty does not apply if the product has been damaged by accident or misuse, or as a result of service or modification performed by an unauthorized factory. Except as otherwise expressly stated in the previous paragraph, the company makes no representation or warranty of any kind, express or implied, as to merchantability, fitness for a particular purpose, or any other matter with respect to this product. The company shall not be liable for any consequential loss to life safety and property if it's due to user's failure in following this manual to install and use the product.

Changes or modifications not expressly approved by the party responsible for compliance could void the user's authority to operate the equipment.

MARINCO®



All rights reserved / EN- Feb-2017

FC CE