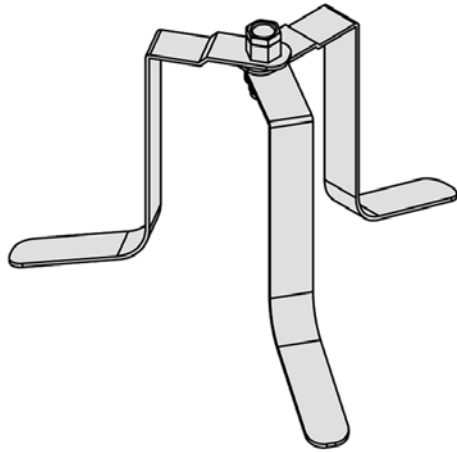
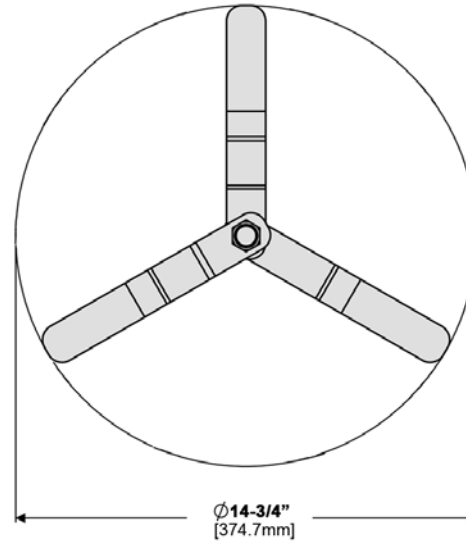


# A10-650 ON-SHORE LEG STAND

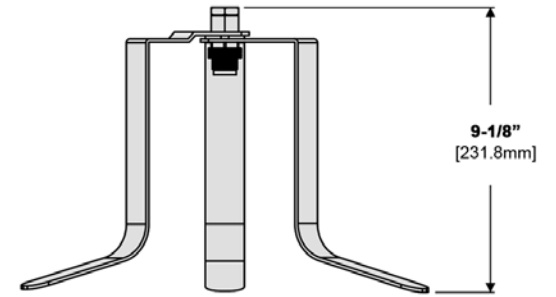
Mount Weight 1.74 lbs.  
(.79 kg)



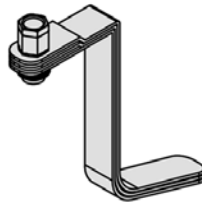
OPEN



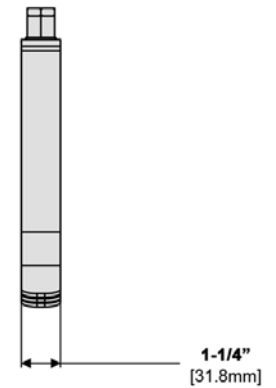
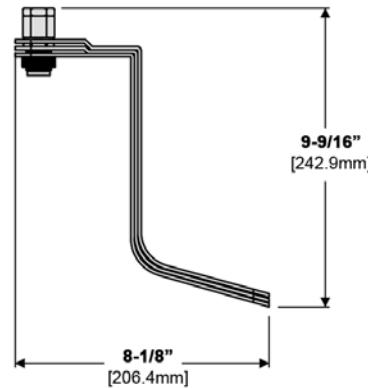
TOP VIEW



SIDE VIEW



CLOSED



**MAGMA PRODUCTS, INC.**

3940 PIXIE AVE. • LAKEWOOD, CA 90712

TEL (562) 627-0500 • FAX (562) 627-0550

[www.MagmaProducts.com](http://www.MagmaProducts.com)

email: [Mail@MagmaProducts.com](mailto:Mail@MagmaProducts.com)