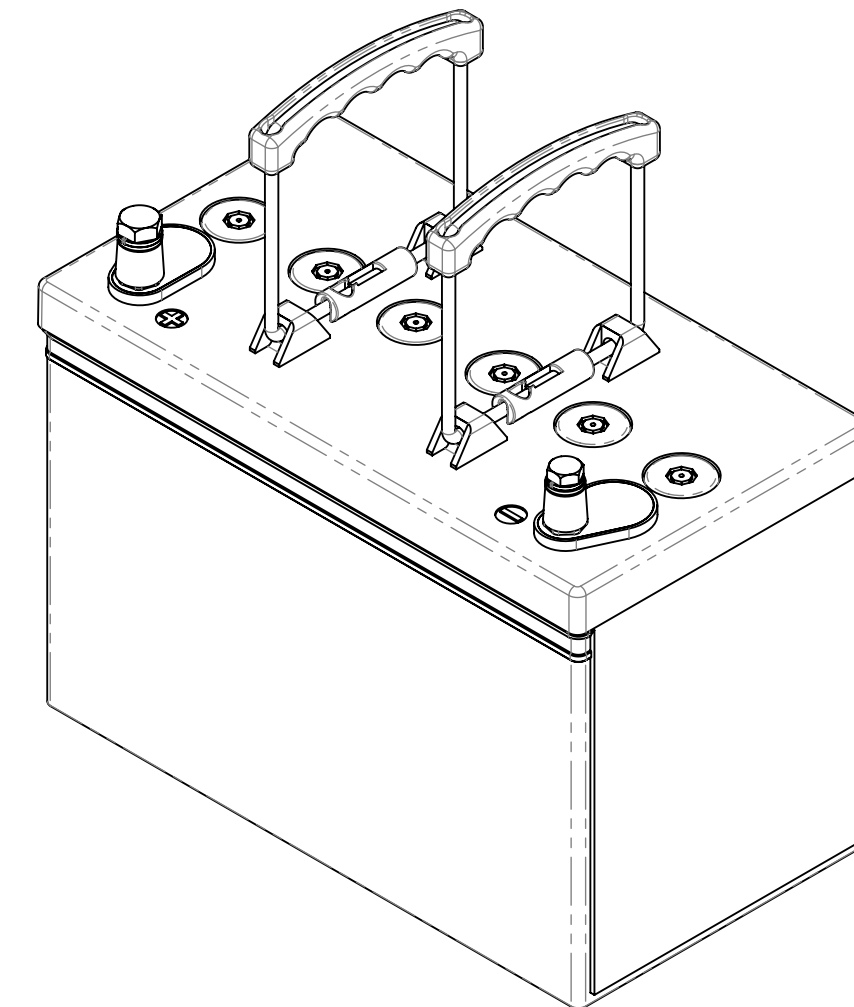
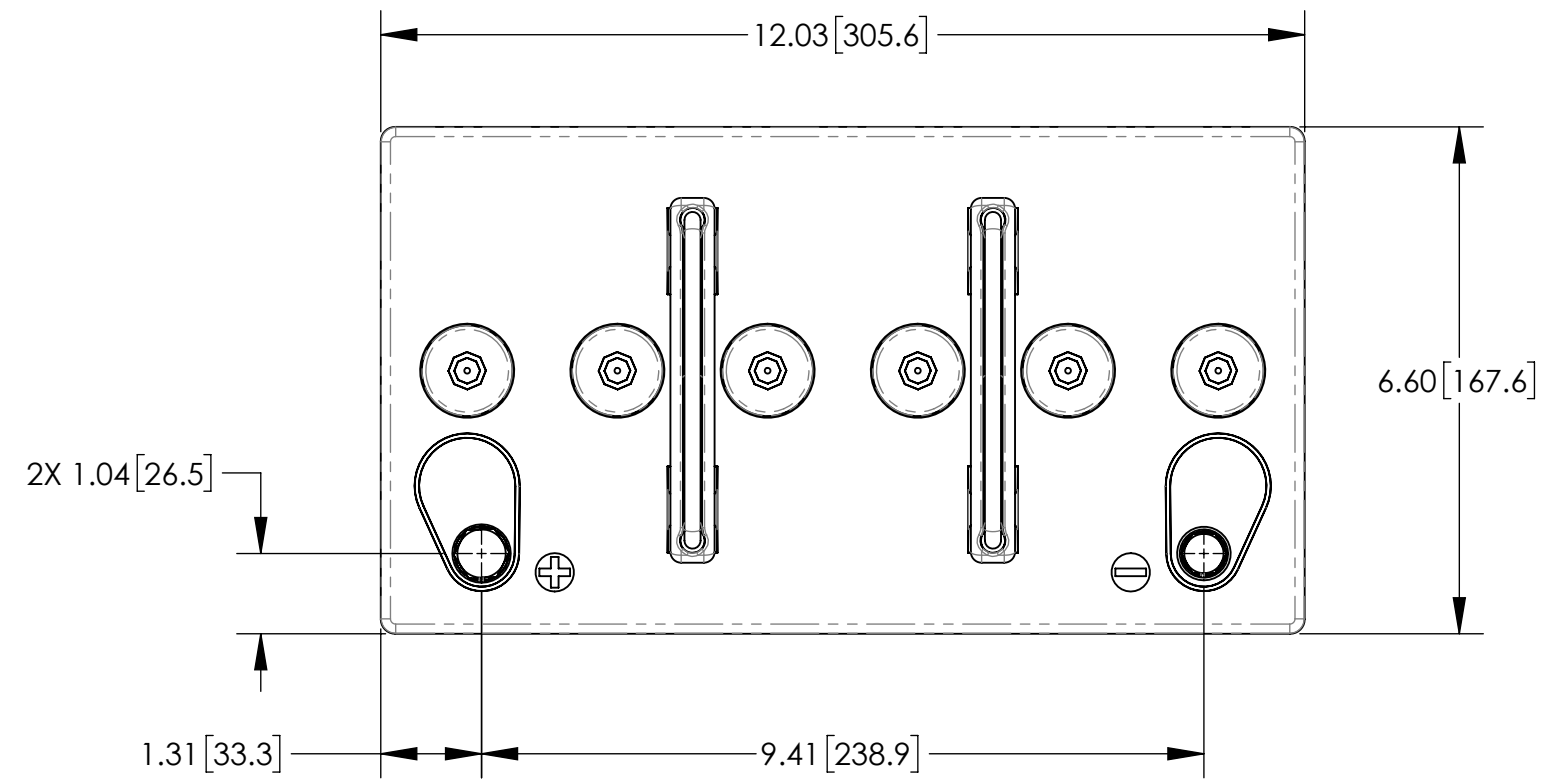


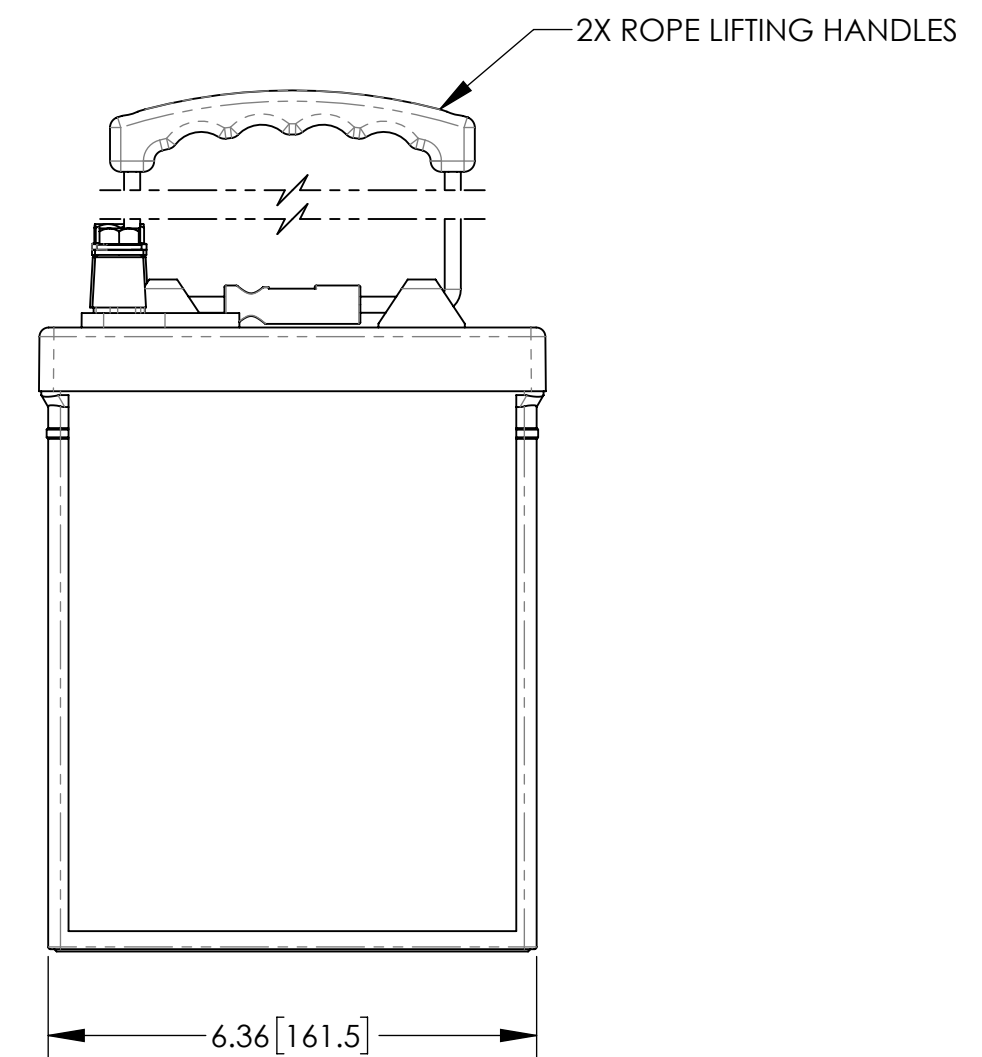
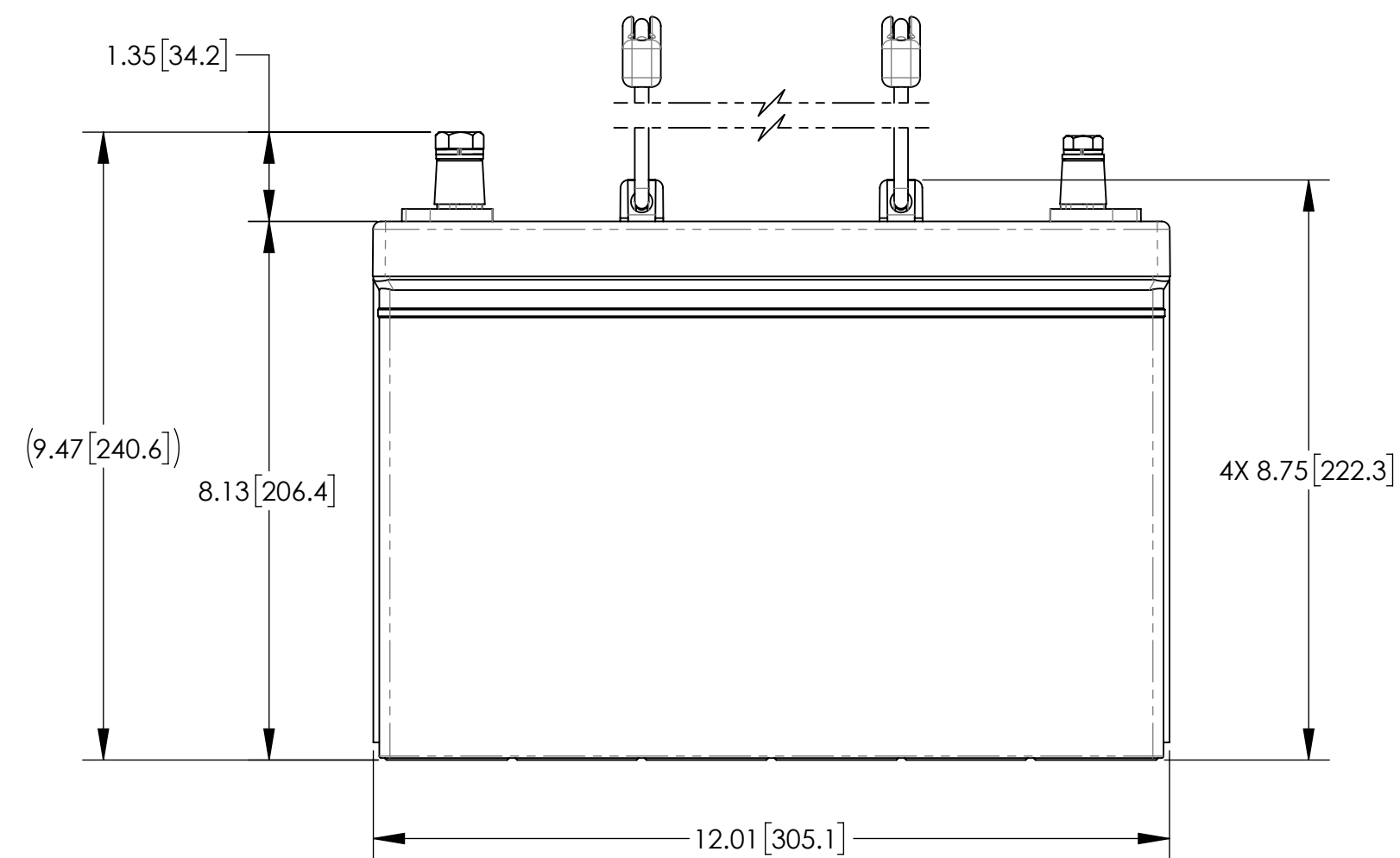
NOTES: UNLESS OTHERWISE SPECIFIED

- SEE DRAWING NO. CB-00285 AND PROCEDURE P-1000 FOR ASSEMBLY AND TEST INSTRUCTION. PROCEDURES AND ASSEMBLY DRAWINGS ARE FOR INTERNAL USE ONLY.
- ALL TESTING IS PERFORMED IAW BATTERY COUNCIL INTERNATIONAL STANDARDS.
- ALL DIMENSIONS ARE INCH [MM].

REVISIONS			
REV	DESCRIPTION	DATE	APPROVED
B	SEE DCN GPL27TB	8/10/11	JBT
C	REDESIGNED COVER	5/29/18	PH



ISOMETRIC VIEW



ENVELOPE DRAWING

CAPACITY RATINGS	
PART NUMBER	GPL-27T
NOMINAL WEIGHT	62 LBS [28.1 KG]
AMPERE HOUR CAPACITY @ 20 HOUR 1.75 VOLTS/CELL @ 77 °F (25°C)	100 AH
MINUTES OF DISCHARGE @ 25 AMPS 1.75 VOLTS/CELL @ 77 °F (25°C)	186MIN

UNLESS OTHERWISE SPECIFIED DIMENSIONS ARE IN INCHES TOLERANCES ARE:			CONTRACT NO.		CONCORDE BATTERY CORPORATION 2009 SAN BERNARDINO RD, W. COVINA, CA 91790		
FRACTIONS	DECIMALS	ANGLES	APPROVALS		DATE	TITLE	
±1/32	.XX ± .06 .XXX ± .030	±1°	DRAWN	ELH	03/13/00	BATTERY, 12 VOLT, GPL-27T	
TREATMENT	NONE		CHECKED	S. VALDEZ	03/13/00	SIZE	CAGE CODE
FINISH	NONE		APPROVED	JBT	03/16/00	C	63017
SIMILAR TO	CALC WT		ISSUED	JG	5/30/18	DWG NO.	GPL-27T
						SCALE	1:2.5
						SHEET	1 OF 1