

EVO® Electric Winches

A Self-Tailing EVO® Winch that works at the push of a button! That's exactly what you will find with Lewmar's electric winch range. Whether you buy an electrically-

operated winch complete or retro-fit the compact electric motor/controller unit, the electric EVO® provides improved sail control.

- Push Button Power
- Quiet operation
- Manual override
- All the benefits of the EVO® range
- Easy to install
- Inclusive of contactor and motor units
- Feature powerful series wound motors
- Choice of two levels of control: E Series or Electric Load Sensing (ELS)
- Available for Size 40, 45, & 50, E Series controller features a thermal trip
- In addition to a thermal trip, the ELS Control Box cuts power when the winch reaches its Working Load Limit (WLL). Power resumes once the loads return below the WLL.
- ELS Control Boxes available for Size 40 to 80



Electric Evo 80 installed on Hallberg Rassy

EVO® Electric Winch Kit

The kit contains all you need to install your electric winch as follows:

Deck unit and motor gearbox



Circuit breaker



Switch



Contactor or Control box



Models 40 to 50 are supplied with the contactor pre-mounted to the motor gearbox removing any complicated wiring for a more tidy and easier installation. It only requires connecting the battery and the switch supplied.

Models size 55 up are supplied with an ELS control box which allows the winch to be operated up to a set current relative to the working load limit of the specific winch. Once this current is exceeded, the winch automatically cuts out. Once the current drops to below the working load limit, the winch can be restarted. The ELS features the additional safety function of a Motor Thermal Trip, which ensures that the motor cuts out in the event of excessive heat build up

EVO® Electric Winch Kits

PART NUMBER		DESCRIPTION
12 VOLTS	24 VOLTS	
49540219	-	40EST Alloy Black Electric Winch Kit
49540218	-	40EST Chrome Bronze Electric Winch Kit
49540217	-	40EST Alloy Grey Electric Winch Kit
49545219	-	45EST Alloy Black Electric Winch Kit
49545218	-	45EST Chrome Bronze Electric Winch Kit
49545217	-	45EST Alloy Grey Electric Winch Kit
49550219	-	50EST Alloy Black Electric Winch Kit
49550218	-	50EST Chrome Bronze Electric Winch Kit
49550217	-	50EST Alloy Grey Electric Winch Kit
49555210	49555230	55EST Alloy Black Electric Winch Kit
49555201	49555221	55EST Chrome Bronze Electric Winch Kit
49555200	49555220	55EST Alloy Grey Electric Winch Kit
49565210	49565230	65EST Alloy Black Electric Winch Kit
49565201	49565221	65EST Chrome Bronze Electric Winch Kit
49565200	49565220	65EST Alloy Grey Electric Winch Kit
-	49570230	70EST Alloy Black Electric Winch Kit
-	49570221	70EST Chrome Bronze Electric Winch Kit
-	49570220	70EST Alloy Grey Electric Winch Kit
-	49570211	70/3EST Alloy Black Electric Winch Kit
-	49570212	70/3EST Chrome Bronze Electric Winch Kit
-	49570213	70/3EST Alloy Grey Electric Winch Kit
-	49580230	80EST Alloy Black Electric Winch Kit
-	49580221	80EST Chrome Bronze Electric Winch Kit
-	49580220	80EST Alloy Grey Electric Winch Kit
-	49580211	80/3EST Alloy Black Electric Winch Kit
-	49580212	80/3EST Chrome Bronze Electric Winch Kit
-	49580213	80/3EST Alloy Grey Electric Winch Kit



5. Winches

Specify Your Own Electric Winch

1 Deck Unit



2 Motor Gearbox



3 Contactor/Control Box



4 Accessories



1 Electric Winch Deck Unit

Electric Winch

PART NUMBER	MODEL	FINISH	WEIGHT	
			kg	lb
48540210	40 EST	Alloy Black	17.8	39.3
48540201	40 EST	Chrome	19.5	43.0
48540200	40 EST	Alloy Grey	17.8	39.3
48545210	45 EST	Alloy Black	22.1	48.6
48545201	45 EST	Chrome	24.6	54.1
48545200	45 EST	Alloy Grey	22.1	48.6
48550210	50 EST	Alloy Black	24.7	54.3
48550201	50 EST	Chrome	28.1	61.8
48550200	50 EST	Alloy Grey	24.7	54.3
48555210	55 EST	Alloy Black	29.0	63.8
48555201	55 EST	Chrome	34.8	76.5
48555200	55 EST	Alloy Grey	29.0	63.8
48565210	65 EST	Alloy Black	33.6	73.9
48565201	65 EST	Chrome	40.8	89.7
48565200	65 EST	Alloy Grey	33.6	73.9

Custom Electric Winch

PART NUMBER	MODEL	FINISH	WEIGHT	
			kg	lb
48570210	70 EST	Alloy Black	42.0	92.6
48570201	70 EST	Chrome	48.8	107.6
48570200	70 EST	Alloy Grey	42.0	92.6
48570208	70/3 EST	Alloy Black	48.0	105.8
48570207	70/3 EST	Chrome	54.8	120.8
48570206	70/3 EST	Alloy Grey	48.0	105.8
48580210	80 EST	Alloy Black	49.3	108.7
48580201	80 EST	Chrome	55.3	121.9
48580200	80 EST	Alloy Grey	49.3	108.7
48580208	80/3 EST	Alloy Black	51.3	113.1
48580207	80/3 EST	Chrome	57.3	126.3
48580206	80/3 EST	Alloy Grey	51.3	113.1

Notes: Weights shown above includes the weight of Motor Gearbox & Control Box.

2 Motor Gearbox

PART NUMBER	DESCRIPTION	MOTOR (Watt)								
			40ST	45ST	50ST	55ST	65ST	70-70/3	80-80/3	
48000116	40-50 12v M/GBOX ASSY	700	•	•	•					
48000117	40-50 24v M/GBOX ASSY	900	•	•	•					
48000075	55-65 12v M/GBOX ASSY	1600				•	•			
48000076	55-65 24v M/GBOX ASSY	2000				•	•			
48000077	70-80 12v M/GBOX ASSY	1600						•	•	
48000078	70-80 24v M/GBOX ASSY	2000						•	•	



Electric motor including contactor

Lewmar can also supply motor gearboxes with the E-series contactor pre-mounted. This convenient solution removes any complicated wiring for a more tidy and easier installation. The complete wiring is reduced to connecting the battery and the switch.



PART NUMBER	DESCRIPTION	MOTOR (Watt)			
			40ST	45ST	50ST
48000211	12v Pre-Wired M/GBOX	700	•	•	•
48000212	24v Pre-Wired M/GBOX	900	•	•	•

3 Contactors & Control Boxes

E-series

The E-series contactor is equipped with a thermal trip to monitor the motor temperature, which ensures a cut out if the heat builds up to an unacceptable level.

Available on the EVO® electric winch range 40, 45 & 50.

Electric load sensing – ELS

Pioneered by Lewmar, ELS (Electric Load Sensing) electric winches are controlled by an Overload Protection Control Box, which allows the winch to be operated up to a set current relative to the working load limit of the specific winch. Once this current is exceeded, the winch automatically cuts out. Once the current drops to below the working load limit, the winch can be restarted. The ELS features the additional safety function of a Motor Thermal Trip, which ensures that the motor cuts out in the event of excessive heat build up. ELS is available on the EVO® Electric Winch Range Size 40 to 80.

PART NUMBER	DESCRIPTION	40ST	45ST	50ST	55ST	65ST	70-70/3	80-80/3
68000933	Contactor 12V "E"	•	•	•				
68000934	Contactor 24V "E"	•	•	•				
18000301	Contactor Box 12V "E"	•	•	•				
18000302	Contactor Box 24V "E"	•	•	•				
48000217	ELS Control Box Type 1-3	24V						
48000220	ELS Control Box Type 1-6		24V					
48000221	ELS Control Box Type 1-7			24V	24V			
48000222	ELS Control Box Type 1-8	12V				24V		
48000224	ELS Control Box Type 2-2		12V					
48000225	ELS Control Box Type 2-3			12V				
48000227	ELS Control Box Type 2-5				12V			
48000229	ELS Control Box Type 2-7					12V		
48000178	70-70/3 Control Box 12v "ELS"						•	
48000179	70-70/3 Control Box 24v "ELS"						•	
48000180	80-80/3 Control Box 12v "ELS"							•
48000181	80-80/3 Control Box 24v "ELS"							•



Contactor "E"



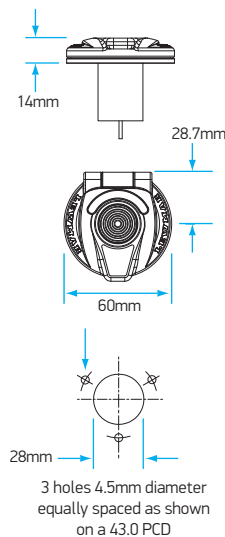
"ELS" Electric Load Sensing Control Box

4 Accessories

SX Switch

■ Suitable for DC electric winches running on 12 or 24V

■ Supplied with decal sheet



Circuit Breaker

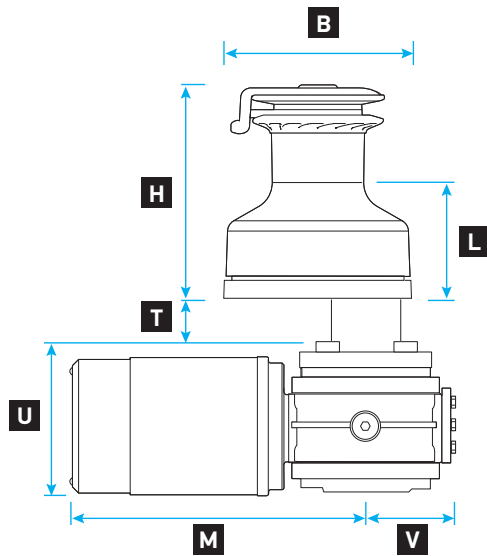
CIRCUIT BREAKER	WINCH SIZE									
	40	45	50	55	65	70	80	90	110	
68000542 40A	24V									
68000348 50A		24V								
68000240 70A			24V			24V	24V	24V	24V	
68000349 90A	12V			24V	24V			24V		
68000350 110A		12V								
68000239 120A			12V			12V			12V	
68000351 150A							12V	12V		
68000894 200A				12V	12V					



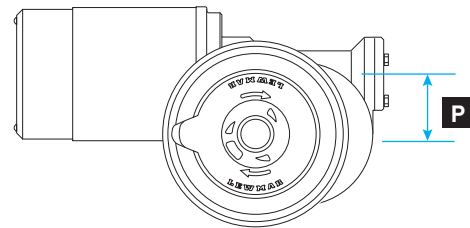


5. Winches

Electric Winch Dimensions



When installing a winch, Lewmar recommends the winch be mounted on a level surface and that the rope enters the drum at an angle of 5° to 10° to the base axis of the winch. This angle can be achieved by using a base wedge when mounting the winch.



WINCH SIZE	H HEIGHT		L LINE ENTRY		M		P		T		U		V		B BASE DIA	
	mm	in	mm	in	mm	in	mm	in	mm	in	mm	in	mm	in	mm	in
40EST	175	6 ⁹ / ₁₀	95.4	3 ⁴⁹ / ₆₄	238.5	9 ²⁵ / ₆₄	50	1 ³¹ / ₃₂	34.4	1 ²³ / ₆₄	120.7	2 ³ / ₄	72.5	2 ³⁵ / ₆₄	154	6 ¹ / ₁₆
45EST	194	7 ⁵ / ₈	100.3	3 ⁶¹ / ₆₄	238.5	9 ²⁵ / ₆₄	50	1 ³¹ / ₃₂	64.4	2 ¹⁷ / ₃₂	120.7	2 ³ / ₄	72.5	2 ³⁵ / ₆₄	174	6 ³⁵ / ₆₄
50EST	246.8	9 ² / ₃	105.2	4 ⁹ / ₆₄	238.5	9 ²⁵ / ₆₄	50	1 ³¹ / ₃₂	64.4	2 ¹⁷ / ₃₂	120.7	2 ³ / ₄	72.5	2 ³⁵ / ₆₄	186	7 ²¹ / ₆₄
55EST	257.5	10 ¹ / ₈	135.8	5 ³ / ₈	290	11 ⁷ / ₁₆	62	2 ⁷ / ₁₆	59.5	2 ⁵ / ₁₆	160	6 ¹ / ₄	80	3 ¹ / ₈	209	8 ¹ / ₄
65EST	273.8	10 ³ / ₄	141.8	5 ⁹ / ₁₆	290	11 ⁷ / ₁₆	62	2 ⁷ / ₁₆	59.5	2 ⁵ / ₁₆	160	6 ¹ / ₄	80	3 ¹ / ₈	234	9 ¹ / ₄
70EST	274.2	10 ¹³ / ₁₆	142.1	5 ⁵ / ₈	290	11 ⁷ / ₁₆	62	2 ⁷ / ₁₆	67.5	2 ¹¹ / ₁₆	160	6 ¹ / ₄	80	3 ¹ / ₈	282	11 ¹ / ₈
70/3EST	318.5	12 ⁹ / ₁₆	186.4	7 ⁵ / ₁₆	290	11 ⁷ / ₁₆	62	2 ⁷ / ₁₆	67.5	2 ¹¹ / ₁₆	160	6 ¹ / ₄	80	3 ¹ / ₈	294	11 ⁹ / ₁₆
80EST	320	12 ¹⁹ / ₁₆	174.0	6 ⁷ / ₈	290	11 ⁷ / ₁₆	62	2 ⁷ / ₁₆	67.5	2 ¹¹ / ₁₆	160	6 ¹ / ₄	80	3 ¹ / ₈	294	11 ⁹ / ₁₆
80/3EST	320	12 ¹⁹ / ₁₆	174.0	6 ⁷ / ₈	290	11 ⁷ / ₁₆	62	2 ⁷ / ₁₆	67.5	2 ¹¹ / ₁₆	160	6 ¹ / ₄	80	3 ¹ / ₈	294	11 ⁹ / ₁₆
90EST	327	12 ⁷ / ₈	159.5	6 ¹ / ₄	290	11 ⁷ / ₁₆	62	2 ⁷ / ₁₆	-	-	-	-	-	-	326	12 ³ / ₄

Mounting Instructions

40EST	5 x M6 (1/2 in) c'sk head screws on 121mm (4 ³ / ₄ in) PCD
45EST	5 x M8 (5/16 in) c'sk head screws on 136mm (5 ¹¹ / ₃₂ in) PCD
50EST	6 x M8 (5/16 in) c'sk head screws on 150mm (5 ²⁹ / ₃₂ in) PCD
55EST	6 x M8 (5/16 in) c'sk head screws on 165mm (6 ¹ / ₂ in) PCD
65EST	5 x M10 (3/8 in) c'sk head screws on 184mm (7 ¹ / ₄ in) PCD
70EST	6 x M10 (3/8 in) c'sk head screws on 241mm (9 ¹ / ₂ in) PCD
70/3EST	6 x M10 (3/8 in) c'sk head screws on 241mm (9 ¹ / ₂ in) PCD
80EST	6 x M10 (3/8 in) c'sk head screws on 241mm (9 ¹ / ₂ in) PCD
80/3EST	6 x M10 (3/8 in) c'sk head screws on 241mm (9 ¹ / ₂ in) PCD
90/3EST	8 x M10 (3/8 in) c'sk head screws on 270mm (10 ⁵ / ₈ in) PCD

Note: not all holes are symmetrical on all models