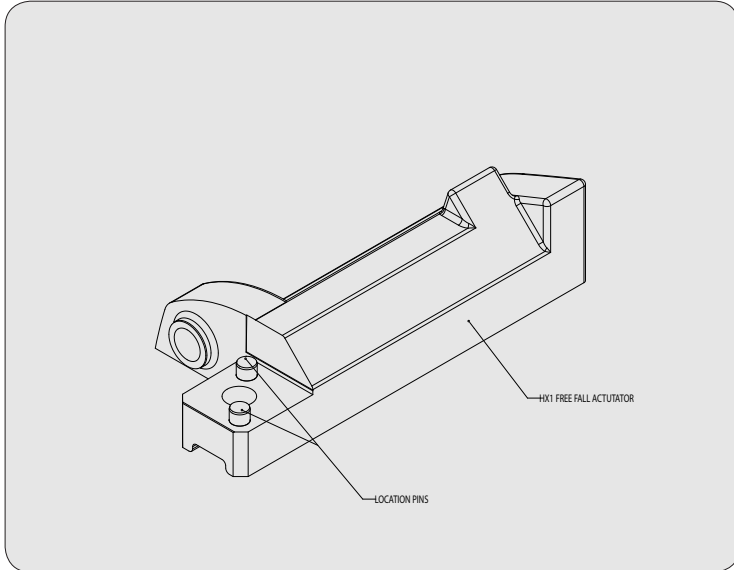


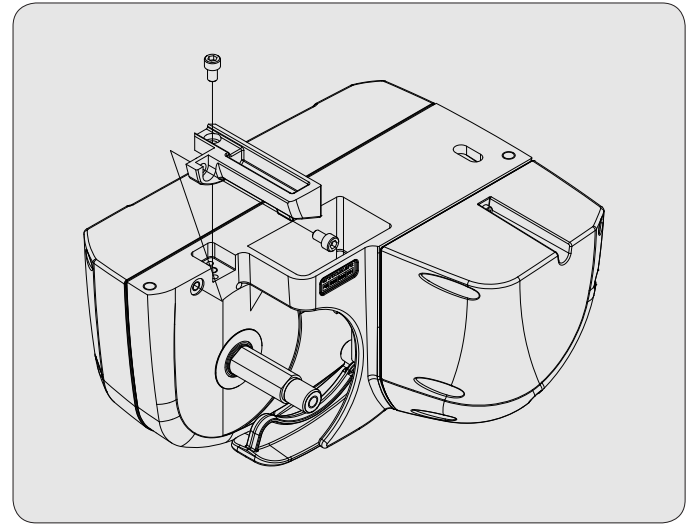
3. Installation

Fitting the HX1 Free-fall actuator

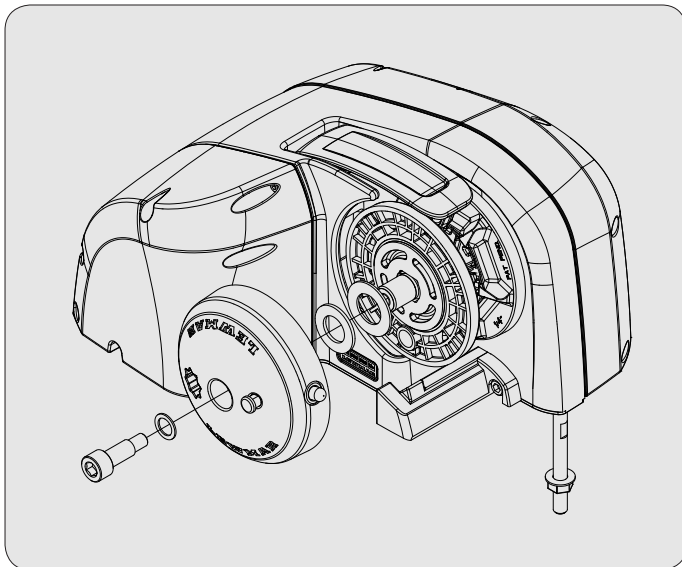
- Remove Gypsy as per 6.4
- Ensure that the location pins are securely fitted to the actuator



- Push fit the actuator into the HX1 Body as shown
- Secure actuator with screw supplied



- Refit gypsy, ensure that the control arm pin is located correctly
- Place the plastic washer and metal shim between the upper cone and the Free-Fall cap



- Fit the HX1 Free-Fall cap by screwing onto the shaft
- Smear a little threadlock to the Free-Fall Cap screw
- Secure screw into the driveshaft, torque to 4NM.

4. Warranty

Limited Warranty and Key Terms of Supply by Lewmar

Lewmar warrants that in normal private pleasure boat usage and with proper maintenance its products will conform with their specification for a period of three years from the date of purchase by the end user, subject to the conditions, limitations and exceptions listed below. Any product, which proves to be defective in normal usage during that three-year period, will be repaired or, at Lewmar's option, replaced by Lewmar.

A CONDITIONS AND LIMITATIONS

- Lewmar's liability shall be limited to the repair or replacement of any parts of the product which are defective in materials or workmanship.
- Responsibility for the selection of products appropriate for the use intended by the Buyer shall rest solely with the Buyer and Lewmar accepts no responsibility for any such selection.
- Lewmar shall not be liable in any way for Product failure, or any resulting loss or damage that arises from:
 - use of a product in an application for which it was not designed or intended;
 - corrosion, ultra violet degradation or wear and tear;
 - a failure to service or maintain the product in accordance with Lewmar's recommendations;
 - faulty or deficient installation of the product (unless conducted by Lewmar);
 - any modification or alteration of the product;
 - conditions that exceed the product's performance specifications or safe working loads.

g. Abuse

- Product subject to a warranty claim must be returned to the Lewmar outlet that supplied the product for examination unless otherwise approved by Lewmar in writing.

- This warranty does not cover any incidental costs incurred for the investigation, removal, carriage, transport or installation of product.

- Service by anyone other than authorized Lewmar representatives shall void this warranty unless it accords with Lewmar guidelines and standards of workmanship.
- Lewmar's products are intended for use only in the marine environment. Buyers intending to use them for any other purpose should seek independent professional advice as to their suitability. Lewmar accepts no liability arising from such other use.

B EXCEPTIONS

Cover under this Warranty is limited to a period of one year from the date of purchase by the end user in the case of any of the following products or parts of products:

- Electric motors and associated electrical equipment
- Electronic controls
- Hydraulic pumps, valves and actuators
- Hatch & Portlight weather seals
- Products used in "Grand Prix" racing applications
- Products used in commercial or charter applications
- Anchor rodes

C LIABILITY

- Lewmar's liability under this warranty shall be to the exclusion of all other warranties or liabilities (to the extent permitted by law). In particular (but without limitation):

- Lewmar shall not be liable for:

- Any loss of anticipated turnover or profit or indirect, consequential or economic loss;
- Damages, costs or expenses payable to any third party;
- Any damage to yachts or equipment;
- Death or personal injury (unless caused by Lewmar's negligence).

Some states and countries do not allow the exclusion or limitation of incidental or consequential damages, so the above limitation or exclusion may not apply to you

- Lewmar grants no other warranties regarding the fitness for purpose, use, nature or satisfactory quality of the products.

- Where applicable law does not permit a statutory or implied warranty to be excluded, then such warranty, if permitted by that state or country's law, shall be limited to a period of one year from the date of purchase by the end user. Some states and countries do not allow limitations on how long an implied warranty lasts, so this limitation may not apply to you.

D PROCEDURE

Notice of a claim for service under this warranty shall be made promptly and in writing by the end user to the Lewmar outlet that supplied the product or to Lewmar Limited at Southmoor Lane, Havant, Hampshire PO9 1JJ, England.

E SEVERANCE CLAUSE

If any clause of this warranty is held by any court or other competent authority to be invalid or unenforceable in whole or in part, the validity of the remaining clauses of this warranty and the remainder of the clause in question shall not be affected.

F OTHER RIGHTS

This warranty gives you specific legal rights, and you may also have other legal rights, which vary from state to state and country to country.

In the case of European States a Consumer customer (as defined nationally) has legal rights under the applicable national law governing the sale of Consumer Goods; this Warranty does not affect those rights.

G LAW

This warranty shall be governed by and read in accordance with the laws of England or the state or country in which the first end user is domiciled at the time of purchase of the product.

H DISPUTES

Any dispute arising under this warranty may, at the option of the end-user, be referred to alternative dispute resolution under the rules of the British Marine Federation or to the Courts of the State whose law shall govern the warranty or to the Courts of England and Wales.

The British Marine Federation may be contacted at Marine House, Thorpe Lea Road, Egham, England, TW20 8BF

- This product requires installation by a suitably qualified electrical engineer.
- Make sure that the boat's battery power supply has been switched off before starting the installation.

2.3 Electrical

- This equipment must be installed and operated in accordance with the instructions contained in this manual. Failure to do so could result in poor product performance, personal injury and/or damage to your boat.
- Consult the boat manufacturer if you have any doubt about the strength or suitability of the mounting location.

2.2 Fitting

- Windlass must not be operated whilst under the influence of alcohol or drugs.
- operation on the vessel.
- It is the unavoidable responsibility of the owner, master or other responsible party to assess the risk of any Always switch off this windlass at the circuit breaker/isolator when not in use.
- The motor and cables from overheating and damage.
- The circuit breaker in this product must never be deactivated or otherwise bypassed, it is intended to protect Do not use windlass for ANY purpose other than deployment and recovery of anchor.
- windlass.
- A windlass should never be used as a mooring bollard, the anchor rode MUST be secured to a mooring cleat, chain stopper or other suitable independent strong point.
- Classification Societies require that a vessel lying at anchor must have its anchor rope/chain secured to a storm conditions. Anchors should be independently secured to prevent accidental release.
- Windlasses must not be used as the sole means of securing the anchor to the bow fitting especially under Ensure there are no swimmers or divers nearby when dropping anchor.
- could result.
- Keep limbs, fingers, clothing and hair clear of windlass, rode and anchor during operation. Severe bodily harm in conjunction with any other use.
- Lewmar windlasses are designed and supplied for anchor control in marine applications and are not to be used proper equipment cannot eliminate the potential for danger, serious injury or death.
- Boating, like many other activities can be hazardous. Even the correct selection, maintenance and use of Windlasses should be used with care and treated with respect.
- Windlasses used incorrectly could cause harm to equipment or crew.

Please ensure that you thoroughly understand the operation and safety requirements of the windlass before commencing the installation. Only persons who are completely familiar with the controls and those who have been fully made aware of the correct use of the windlass should be allowed to use it. If there is any doubt of how to install or operate this unit please seek advice from a suitably qualified engineer.

Windlasses used incorrectly could cause harm to equipment or crew. Windlasses should be used with care and treated with respect. Boating, like many other activities can be hazardous. Even the correct selection, maintenance and use of proper equipment cannot eliminate the potential for danger, serious injury or death. Lewmar windlasses are designed and supplied for anchor control in marine applications and are not to be used in conjunction with any other use. Keep limbs, fingers, clothing and hair clear of windlass, rode and anchor during operation. Severe bodily harm could result. Ensure there are no swimmers or divers nearby when dropping anchor. Windlasses must not be used as the sole means of securing the anchor to the bow fitting especially under storm conditions. Anchors should be independently secured to prevent accidental release. Classification Societies require that a vessel lying at anchor must have its anchor rope/chain secured to a mooring cleat, chain stopper or other suitable independent strong point.

2.1 Windlass general

IMPORTANT: Read these notes before continuing.



2. Safety Notice

UK @ International Distribution

Lewmar
Southmoor Lane
Havant
Hampshire
PO9 1JJ
England
Tel: +44 (0)23 9247 1841
Fax: +44 (0)23 9248 5720
Email: info@lewmar.com

USA

Lewmar
351 New Whitfield Street
Guilford, CT
06437
USA
Tel: +1 203 458 6200
Fax: +1 203 453 5669
Email: info@lewmarusa.com

LEWMAR®

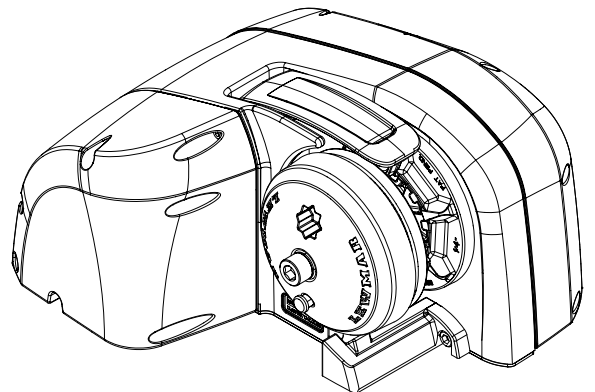
www.lewmar.com

65140061 Iss.1

LEWMAR®

Lewmar HX1 Free-fall Fitment

65140061 Issue 1



Important information about this manual
Throughout this manual, you will see safety and product damage warnings. You must follow these warnings carefully to avoid possible injury or damage.

CE Approvals
For CE approval certificates contact Lewmar.

Product support
Lewmar products are supported by a worldwide network of distributors and Authorised Service Representatives. If you encounter any difficulties with this product, please contact your national distributor, or your local Lewmar dealer. Details are available at: www.lewmar.com

1. Introduction
Dear Customer,
Thank you for choosing Lewmar. Lewmar products are world renowned for their quality, technical innovation and proven performance. With a Lewmar product you will be provided for many years of outstanding service.