



AquaT™ Marine toilets

Manual or electric powered, state-of-the-art marine toilets

Available in a wide variety of different versions marketed under three basic models — standard and premium electric-powered or manual — the Johnson Pump AquaT™ marine toilet has been designed to meet virtually every conceivable lavatory installation situation onboard.

Priced competitively, the fine finish and well thought-through design of these toilets is remarkable. Made from white vitreous porcelain, and with corrosion resistant parts throughout, the Johnson Pump AquaT™ marine toilet, is quiet, robust and easy to clean. Using the Johnson Pump AquaT™ marine toilet, water inlet and outlet takes place in two distinct steps. First the bowl is filled with clear water, and then the waste is flushed, leaving the bowl empty and clean, with no liquids sloshing about. Naturally, automatic back-flow prevention is incorporated into the design.

Most models can be ordered with standard, bevelled or low profiles in order to fit almost any hull and bulkhead configuration, and all are available in either compact or comfort versions so you can outfit your marine lavatory with the perfect-sized toilet, no matter what the layout. The AquaT™ toilet will give you years of trouble free operation. When spare parts such as a new seat or valve are needed, you'll find Johnson Pump's global network of distributors at your service.

Power models are shipped with well-proven Aqua Jet diaphragm pumps in either 12V or 24V versions, and the manual version incorporates an ergonomically designed, hand-powered piston pump that can be mounted for either left-hand or right-hand use.

It's probably fair to think of most toilets as commonplace products, but look at the features and you're sure to see that the AquaT™ is far from ordinary. Quiet, hygienic and reliable, the Johnson Pump AquaT™ marine toilet is perfect for almost any marine toilet room.



The Johnson Pump AquaT™ marine toilet, hand or electrically powered, is a perfect choice for both sailboats and powerboats, and can be installed either above or below the waterline.



Features

All versions

- Whisper quiet operation
- Clean lines – pleasing to the eye
- Hygienic, easy-to-clean vitreous china bowl and exterior surfaces
- Robust wooden seat with durable baked enamel finish
- Low water consumption (2-2.5 l/flush) makes the most of holding tank capacity
- Versatile plumbing connection options
- Automatic back-flow prevention
- Available in comfort or compact bowl sizes
- Designed for virtually any onboard mounting position
- May be installed above or below the waterline
- Suitable for OEM or replacement installation
- Corrosion resistant materials throughout
- Long service life

The manual versions

- Ergonomic pump handle for ease of use
- Pump can be mounted left or right of the toilet bowl
- Innovative brake bushing prevents annoying leakage at the handle

AquaT™ Manual



80-47229-01 Compact



80-47230-01 Comfort



80-47235-01 Std. 12 V
80-47235-02 Std. 24 V



80-47236-01 Std. bevelled 12 V
80-47236-02 Std. bevelled 24 V

The power versions

- Equipped with 12V or 24V Aqua Jet pumps
- Quick-connect hose or threaded connectors
- Complies with ISO 8846, ignition protection, and EN 55014 EMC

AquaT™ Silent Electric



80-47232-01 Comfort 12 V
80-47232-02 Comfort 24 V



80-47231-01 Compact 12 V
80-47231-02 Compact 24 V

AquaT™ Premium



80-47233-01 Low 12 V
80-47233-02 Low 24 V



80-47234-01 Low, bevelled 12 V
80-47234-02 Low, bevelled 24 V

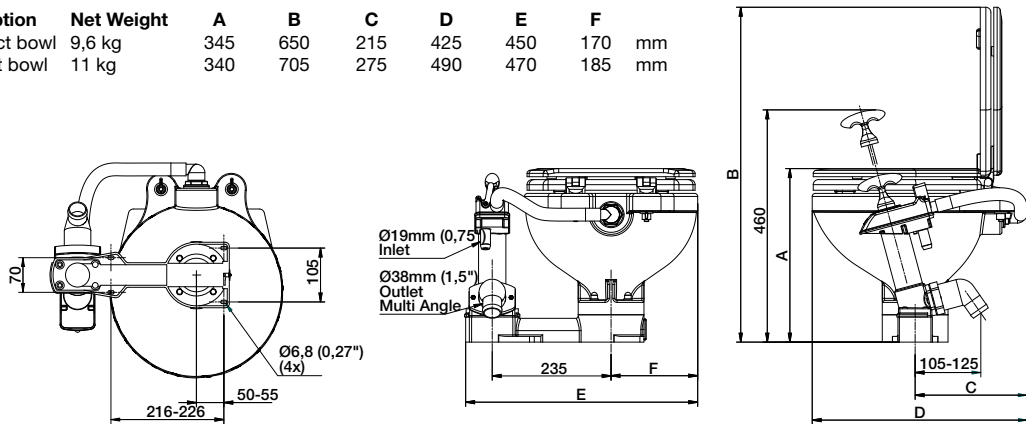


From a name you can trust, the Johnson Pump AquaT™ toilet provides the comfort and convenience of a land-based lavatory at sea.

A marine toilet that flushes as quietly as a toilet on land

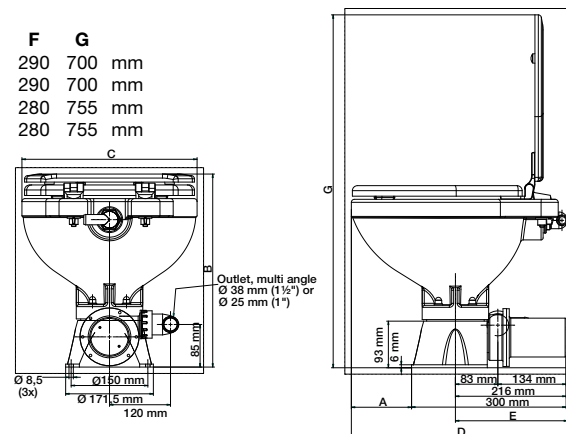
AquaT™ Manual Toilets

Model No	Description	Net Weight	A	B	C	D	E	F	mm
80-47229-01	Compact bowl	9,6 kg	345	650	215	425	450	170	
80-47230-01	Comfort bowl	11 kg	340	705	275	490	470	185	

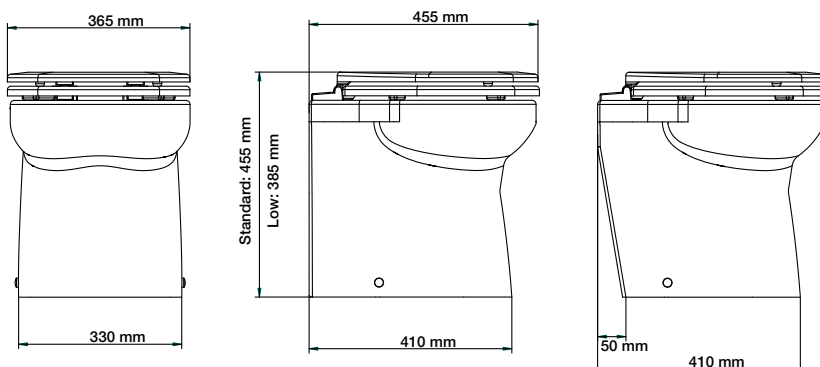


AquaT™ Silent Electric Toilets

Model No	Description	Net Weight	A	B	C	D	E	F	G	mm
80-47231-01	Compact bowl	9,6 kg	120	390	335	420	215	290	700	
80-47231-02	Compact bowl	9,6 kg	120	390	335	420	215	290	700	
80-47232-01	Comfort bowl	11 kg	190	385	365	490	275	280	755	
80-47232-02	Comfort bowl	11 kg	190	385	365	490	275	280	755	



AquaT™ Premium Toilets, Low and Standard



Technical specifications:

Toilet Bowl: 100% vitreous china
Toilet Seat: Wood with baked enamel finish
Water consumption: 2-2.5 liters per flush
Dimensions: See previous page
Outlet ports: Ø 38 mm (1½") & 25 mm (1")
Inlet ports: Ø 19 mm (¾")
Weight: See previous page
Motor*: 13 amp (12V), or 7 amp (24V)
 Aqua Jet pump

Order no.

AquaT™ Manual

80-47229-01 Compact
 80-47230-01 Comfort

AquaT™ Silent Electric

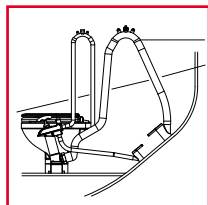
80-47231-01 Compact 12 V
 80-47231-02 Compact 24 V
 80-47232-01 Comfort 12 V
 80-47232-02 Comfort 24 V

AquaT™ Premium, Low

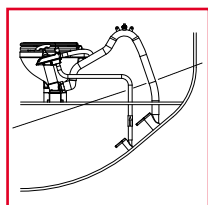
80-47233-01 Low 12 V
 80-47233-02 Low 24 V
 80-47234-01 Low, bevelled 12 V
 80-47234-02 Low, bevelled 24 V

AquaT™ Premium, Std

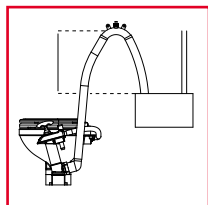
80-47235-01 Std. 12 V
 80-47235-02 Std. 24 V
 80-47236-01 Std. bevelled 12 V
 80-47236-02 Std. bevelled 24 V



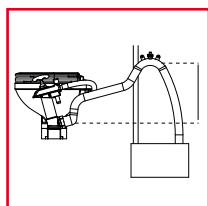
Toilet mounted below the waterline and discharging overboard.



Toilet mounted above the waterline and discharging overboard.



Toilet waste discharging into holding tank, discharging elbow always above top of the holding tank.



Toilet waste discharging into holding tank, discharging elbow below top of the holding tank at any time.

Accessories

El-panel

Order no. **Description**
 81-36105-01 12 & 24V



Vented loop

Order no. **Description**
 81-47237-01 3/4"
 81-47237-02 1"
 81-47237-03 1.1/2"



Y-valve

Order no. **Description**
 81-47238-01



Flush 2.9 Pump

Order no. **Description**
 10-24677-01 12V
 10-24677-02 24V



Viking Power 32

Toilet handling and waste water pump
Order no. **Description**
 10-13373-03 Viking Power 32 12 V
 10-13373-04 Viking Power 32 24 V



Conversion kit

Order no. **Description**
 81-47240-01 Conversion kit 12V
 81-47240-02 Conversion kit 24V



Spare Parts

Order no	Description
81-47239-01	Manual pump assembly
81-47241-01	Wooden Seat Compact
81-47241-02	Wooden Seat Comfort
81-47241-03	Wooden Seat Premium
81-47242-01	Gasket kit, all gaskets in the manual toilet
81-47243-01	Plastic base, plastic base and tap with the ring for manual toilet
81-47244-01	Plastic handle kit, only the plastic handle for manual toilet
81-47245-01	Bowl Compact
81-47245-02	Bowl Comfort
81-47245-03	Bowl Low
81-47245-04	Bowl Low. Bev
81-47245-05	Bowl Std.
81-47245-06	Bowl Std. Bev
81-47246-01	Intake elbow, inlet pipe gasket and nut for manual and silent electric versions
81-47246-02	Outlet elbow, outlet pipe gasket and plastic nut
81-47246-03	Intake elbow, inlet pipe gasket and plastic nut for Premium versions
81-47247-01	Base group (silent electric and premium versions)
81-47248-01	Motor group (silent electric and premium versions)



JOHNSON PUMP
 Johnson Pump AB



JP-412 (0610) GB