



MediaMaster® 105

OWNER'S MANUAL
MANUEL D'UTILISATION
MANUAL DEL PROPIETARIO
BEDIENUNGSANLEITUNG
MANUALE DEL PROPRIETARIO



FCC COMPLIANCE STATEMENT

This device complies with Part 15 of the FCC Rules. Operation is subject to the following two conditions:
(1) this device may not cause harmful interference, and (2) this device must not accept any interference received, including interference that may cause undesired operation. These limits are designed to provide reasonable protection against harmful interference in a residential installation.

This equipment generates, uses and can radiate radio frequency energy and, if not installed in accordance with the instructions, may cause harmful interference to radio communications. However, there is no guarantee that interference will not occur in a particular installation. If this equipment does cause harmful interference to radio or television reception, the user is encouraged to try to correct the interference by one or more of the following measures:


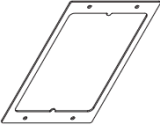



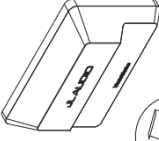
- Reorient or relocate the receiving antenna.
 - Increase separation between the equipment and the receiver.
 - Connect the equipment to an outlet on a circuit different from that to which the receiver is connected.
 - Consult the dealer or an experienced radio/TV technician for help.
- Any changes or modifications not expressly approved by the party responsible for compliance could void the user's authority to operate this equipment.

SAFETY CONSIDERATIONS

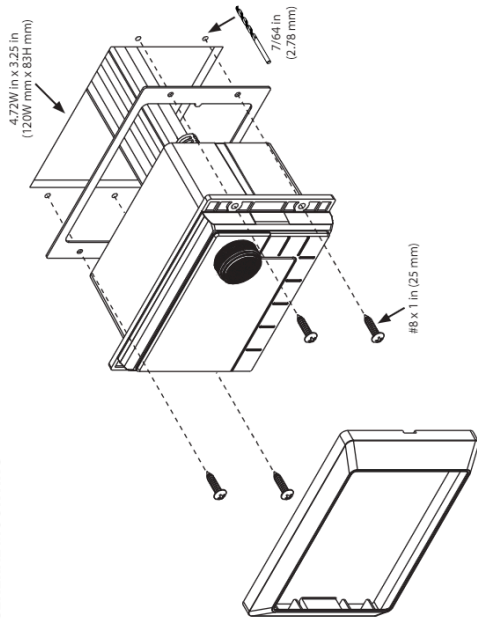
- Only use this product in vehicles with 12 volt, negative-ground electrical systems. This product is not certified or approved for use in aircraft.
- Mount this product securely to prevent damage or injury in severe conditions.
- Do not replace the power wire fuse with one of a different value. Never bypass the fuse.
- Listen to your audio system at levels appropriate for operating conditions and hearing safety.

INSTALLATION CONSIDERATIONS

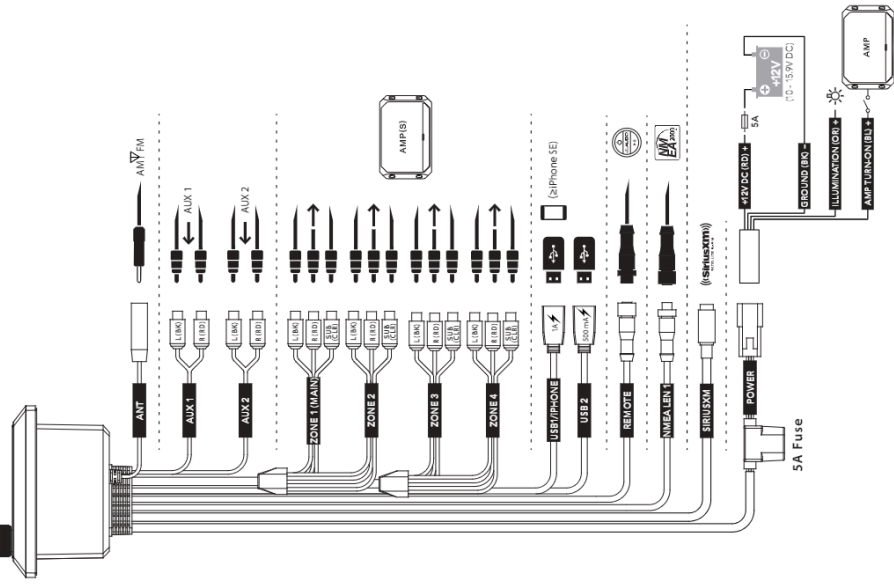
- Installation requires appropriate tools and safety equipment. Professional installation is recommended.
- This product is water-resistant. Do not submerge or subject to high-pressure water spray.
- Before installation, turn off the audio system and disconnect the battery system from the audio system.
- Install in a dry, well-ventilated location that does not interfere with your factory-installed systems. If a dry environment is not available, a location that is not exposed to heavy splashing may be used.
- Before cutting or drilling, check for potential obstacles behind mounting surfaces.
- Carefully route all system wiring away from moving parts and sharp edges; secure with cable ties or wire clamps and use grommets and loom where appropriate to protect from sharp edges.

 x1	 x1	 #8 x 1 in (25 mm) (x4)
 x1	 x1	 x1

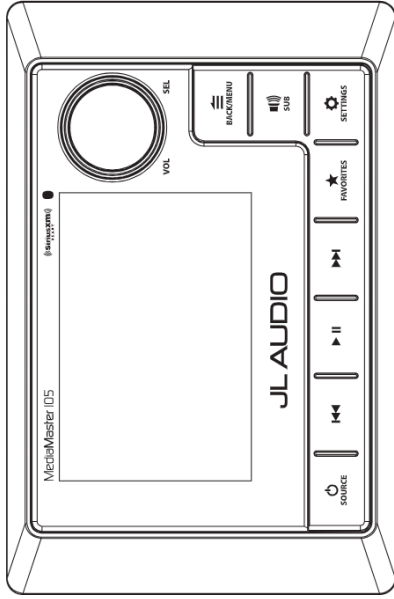
GENERAL MOUNTING



GENERAL CONNECTIONS



CONTROL PANEL



GENERAL CONTROL FUNCTIONS



Control		Function
	Source/ Power	<ul style="list-style-type: none"> Short press to turn ON; Long press to turn OFF When on, short press to display the SOURCE; Select menu
	Volume/ Select	<ul style="list-style-type: none"> Rotate to adjust volume Rotate/press for navigation and making selections
	SUB	<ul style="list-style-type: none"> Short press to access Subwoofer Trim Level settings
	Settings	<ul style="list-style-type: none"> Short press to access the Audio Zone: Tone & Balance settings Long press to access the System Settings: Main Menu
	Back/ Menu	<ul style="list-style-type: none"> Short press to go back one step or access source specific menus
	Favorites	<ul style="list-style-type: none"> Short press to access stored presets Long press to store a frequency as a preset (up to 24)
	Mute/ Pause	<ul style="list-style-type: none"> Short press to mute/unmute audio (AM/FM/SiriusXM/DAB+/AUX1/AUX2) or pause/resume the current selection (USB1/USB2/Bluetooth) When the Audio Zone Levels screen is displayed, press to mute all audio (AM/FM/SiriusXM/DAB+/AUX1/AUX2/USB1/USB2/Bluetooth)
	Forward	<p>Short press to:</p> <ul style="list-style-type: none"> Manually adjust tuner forwards (AM/FM/SiriusXM/DAB+) Select the next track (USB1/USB2/Bluetooth) <p>Long press to:</p> <ul style="list-style-type: none"> Seek to the next channel (FM); Skip forward ten frequency steps (AM) Initiate Rapid Channel Browsing forward (SiriusXM) Fast-forward (USB1/USB2)
	Backward	<p>Short press to:</p> <ul style="list-style-type: none"> Manually adjust tuner backwards (AM/FM/SiriusXM/DAB+) Restart track/select the previous track (USB1/USB2/Bluetooth) <p>Long press to:</p> <ul style="list-style-type: none"> Seek to the previous channel (FM); Skip backwards ten frequency steps (AM) Initiate Rapid Channel Browsing backward (SiriusXM) Fast-rewind (USB1/USB2)

SYSTEM MENU SETTINGS	
SETTINGS	Function
<ul style="list-style-type: none"> • Long press to access the System Settings: Main Menu • Rotate to navigate • Press to make selections 	
Name this Device	Create a custom name to display on connected Bluetooth devices and NMEA 2000® networks
Audio Zone Setup	Configures each set of audio zone outputs
AUX Input Sensitivity	Configures AUX input sensitivity: 2V or 1V RMS (default)
Diagnostic	Displays serial number, hardware and software version info
Display	Configures display and brightness settings
Low Voltage Alert	Built-in alert notifies when +12VDC supply voltage drops below 10 volts If triggered, the unit will enter Safe Mode with a message to turn the unit off until normal operating voltage is restored.
Scrolling Text	Enables continuous scrolling of available RDS/track text info
Tuner Region	Configures AM/FM tuner range/scale for a specific region; DAB+ replaces SiriusXM outside of North America
Power-up Settings	Configures display activation upon connection to power

AUDIO ZONE MENU SETTINGS			
SETTINGS	Function	Setting 1	Setting 2
<ul style="list-style-type: none"> • Long press to access the System Settings: Main Menu • Rotate to navigate • Press to make selections 			
Zone	Level Control Mode	Relative: Links the volume levels of Zones 2 - 4 with the level of Zone 1. (Linked zones will proportionally follow Zone 1's volume.) Each zone's offset level is independently adjustable, allowing you to create a customized level controller, specific to a vessel's layout. Absolute: Creates an independent level control for selected zones, each with its own separate volume level slider.	
Z1: Zone 1 Z2: Zone 2 Z3: Zone 3 Z4: Zone 4		Fixed	4V RMS Max (default) 2V RMS Max 1V RMS Max
		Off	
	Rename Zone	Bow, Bridge, Cabin, Cockpit, Galley, Helm, Stateroom 1, Stateroom 2, Tower, Transom	
		Custom Name	Alphanumeric Input
		Factory Default	
	Max Volume Limit	Max Vol Limit	
	Sub 1 Sub 2 Sub 3 Sub 4	LPF (Low Pass Filter)	Off (default) 60 Hz 80 Hz 100 Hz
		Sub Off	
Z2: Zone 2 Z3: Zone 3 Z4: Zone 4	Tone Control Mode	Same as Zone 1	
		Independent Tone Control	

BLUETOOTH® AUDIO

You may wirelessly stream audio from a Bluetooth compatible device from up to 35 ft. away (11 m). Up to 8 devices can be paired to the MM105, but only one streaming device can connect at one time.



BLUETOOTH MENU SETTINGS	
	<ul style="list-style-type: none"> With Bluetooth selected as a source, short press to display the Bluetooth: Main Menu
	<ul style="list-style-type: none"> Rotate to navigate Press to make selections
Setting	Function
Now Playing	Return to the Now Playing Screen
Pair New Device	Initiates Pairing Mode (connected devices will be disconnected)
Connect Paired Device	Display all paired devices for connection
Set Primary Device	Assign priority to a paired device for automatic connection
Delete a Paired Device	Select from paired devices for removal
Delete All Paired Devices	Removes all paired devices from memory

USB CONNECTIONS

The MM105 includes two ports to connect with USB storage class devices (thumb drive, digital audio player, etc.).

USB 1: High-speed connection for use with iPhone®/iPod® (MFi Certified) or USB storage device (1 A charging output)

USB 2: Full-speed USB storage device connection (500 mA charging output)

USB MENU SETTINGS	
	<ul style="list-style-type: none"> With USB1 or USB2 selected as a source, short press to display the USB: Main Menu
	<ul style="list-style-type: none"> Rotate to navigate Press to make selections
Setting	Function
Now Playing	Return to the Now Playing Screen
Shuffle	Activate Shuffle: On or Off (default)
Repeat	Activate Repeat: All, Song or Off (default)
Playlists	Displays Playlists in library
Artists	Displays Artists in library
Songs	Displays Songs in library
Albums	Displays Albums in library
Genres	Displays Genres in library
Composers	Displays Composers in library

IMPORTANT

- Properly secure the connected device before driving to prevent damage from dropping or sudden acceleration/braking.
- Control, functionality and display may vary depending on the model and version of iPhone® connected.
- When connected via USB port, make sure to unpair or disable the Bluetooth connection to avoid possible playback conflicts.
- If you experience abnormal performance during operation, disconnect the iPhone® and check its condition. Restart your iPhone® if performance does not improve.
- "Made for iPhone" means that an electronic accessory has been designed to connect specifically to an iPhone® and has been certified by the developer to meet Apple performance standards. Apple is not responsible for the operation of this device or its compliance with safety and regulatory standards. Please note that the use of this accessory with an iPhone® may affect wireless performance.
- iPhone® and all related marks and logos are trademarks of Apple Inc., registered in the U.S. and other countries.

SIRIUSXM™ SATELLITE RADIO

Only SiriusXM™ brings you more of what you love to listen to, all in one place. Get over 140 channels, including commercial-free music plus the best sports, news, talk, comedy and entertainment. Welcome to the world of satellite radio. A SiriusXM Vehicle Tuner and Subscription are required. For more information, visit www.siriusxm.com. (SiriusXM service is only available in the continental US and Canada.)

Activating Your SiriusXM Subscription

After installing your SiriusXM Connect tuner and antenna, power on your MM105 and select SiriusXM mode. You should be able to hear the SiriusXM preview channel on Channel 1. If you cannot hear the preview channel, please check the installation instructions to make sure your SiriusXM Connect tuner is properly installed.

After you can hear the preview channel, tune to Channel 0 to find the Radio ID of your tuner. In addition, the Radio ID is located on the bottom of the SiriusXM Connect Vehicle Tuner and its packaging. You will need this number to activate your subscription. Write the number down for reference.

Note: the SiriusXM Radio ID does not include the letters J, O, S or F.

In the USA, you can activate online or by calling SiriusXM Listener care:

- Visit www.siriusxm.com/activatenow
- Call SiriusXM Listener Care at 1-866-635-2349

For Canadian Subscriptions,

please contact:

- Visit www.siriusxm.ca/activate
- Call SiriusXM Customer Care at 1-888-539-7474

As part of the activation process, the SiriusXM satellites will send an activation message to your tuner. When your radio

SIRIUSXM MAIN MENU

This allows access to the SiriusXM operational menu options. Refer to the table below for available settings and functionality.

1. Press **BACK/MENU** to access the SiriusXM: Main Menu.
2. Turn **VOL/SEL** to highlight one of the menu settings listed in the table below and press to enter.
3. Use **VOL/SEL** to make selections.

Setting	Function
Now Playing	Return to the Now Playing Screen
Browse By Channel	View list of available SiriusXM channels
Browse By Category	View list of available SiriusXM channels by category
My Account	View your SiriusXM account status, Radio ID and Reset SiriusXM command
Parental Controls	Settings for access to Lock and Unlock Mature SiriusXM channels
Direct Tune	Allows entry for direct channel selection

Album Art

Album art can be displayed for most of the SiriusXM music channels. When album art is not available, the Channel Default Logo image or the SiriusXM Default Logo image will be displayed.

Resetting SiriusXM Settings

A reset will restore all presets and settings, including parental controls, back to their factory defaults.

1. Press **BACK/MENU** to access the SiriusXM: Main Menu.
2. Turn **VOL/SEL** to My Account and press to enter.
3. Turn **VOL/SEL** to Reset SiriusXM and press to enter.
4. Use **VOL/SEL** to select Confirm.

Sirius XM and all related marks and logos are trademarks of Sirius XM Radio Inc. All rights reserved.

detects that the tuner has received the activation message, your radio will display: "Subscription Updated". Once subscribed, you can tune to channels in your subscription plan.

Note: The activation process usually takes 10 to 15 minutes, but may take up to an hour. Your radio will need to be powered on and receiving the SiriusXM signal to receive the activation message.

Parental Controls

Some SiriusXM channels contain mature content. When the Parental Controls feature is enabled, channels with mature content are restricted and will require a 4-digit lock code to access.

Enabling Parental Controls

1. Press **BACK/MENU** to access the SiriusXM: Main Menu.
2. Turn **VOL/SEL** to Parental Controls and press to enter.
3. Press **VOL/SEL** to select Lock Mature Channels. After, you must enter a 4-digit lock code to lock mature content channels. (Parental Control default passcode: 0000)
4. Use **VOL/SEL** to enter the 4-digit lock code and select **Save** when finished.

Changing the Lock Code

1. Press **BACK/MENU** to access the SiriusXM: Main Menu.
2. Turn **VOL/SEL** to Parental Controls and press to enter.
3. Turn **VOL/SEL** to Edit Lock Code and press enter.
4. Use **VOL/SEL** to enter the current 4-digit lock code and select **Enter** when finished.
5. Use **VOL/SEL** to enter the new lock code and select **Enter** to confirm. Make sure to save your 4-digit lock code for future reference.

SIRIUSXM TROUBLESHOOTING

Advisory messages may appear on the display when a SiriusXM® Connect Vehicle Tuner is connected to the MMI105. Refer to the table below for an explanation and suggested corrective actions.

Advisory Message	Description
Check Antenna	<p>The radio has detected a fault with the SiriusXM antenna. The antenna cable may be either disconnected or damaged.</p> <ul style="list-style-type: none"> Verify that the antenna cable is connected to the SiriusXM Connect Vehicle Tuner. Inspect the antenna cable for damage and kinks. Replace the antenna if the cable is damaged. SiriusXM products are available at your local audio retailer or online at www.shop.siriusxm.com.
Check Tuner	<p>The radio is having difficulty communication with the SiriusXM Connect Vehicle Tuner. The tuner may be disconnected or damaged.</p> <ul style="list-style-type: none"> Verify that the SiriusXM Connect Vehicle Tuner cable is securely connected to the radio. The SiriusXM Connect Vehicle Tuner is having difficulty receiving the SiriusXM satellite signal. Verify that your vehicle/vessel is outdoors with a clear view of the sky. Move the SiriusXM antenna is mounted on the exterior. Inspect the SiriusXM antenna away from any obstructions. Inspect the antenna cable for damage and kinks. Consult the SiriusXM Connect Vehicle tuner installation manual for more information on antenna installation. Replace the antenna if the cable is damaged. SiriusXM products are available at your local audio retailer or online at www.shop.siriusxm.com.
No Signal	<p>The radio has detected a change in your SiriusXM subscription status.</p> <p>Press VOL/SEL to clear the message.</p> <p>In the U.S.A., visit www.siriusxm.com or call 1-866-635-2349 if you have questions about your subscription.</p> <p>In Canada, visit www.siriusxm.ca or call 1-888-539-7474 if you have questions about your subscription.</p>
Subscription Updated	<p>The channel that you have requested is not a valid SiriusXM channel or the channel you were listening to is no longer available. You may also see this message briefly when first connecting a new SiriusXM Connect Vehicle tuner.</p> <p>Visit www.siriusxm.com for more information about the SiriusXM channel lineup.</p>
Channel Unavailable	<p>The channel that you have requested is not included in your SiriusXM subscription package or the channel that you were listening to is no longer included in your SiriusXM subscription package.</p> <p>In the U.S.A., visit www.siriusxm.com or call 1-866-635-2349 if you have questions about your subscription package or would like to subscribe to this channel.</p> <p>In Canada, visit www.siriusxm.ca or call 1-877-438-9677.</p>
Channel Unsubscribed	<p>The channel that you have requested is locked by the radio Parental Control feature. See Parental Controls, page 13 for more information on the Parental Control feature and how to access locked channels.</p>
Channel Locked	

SPECIFICATIONS

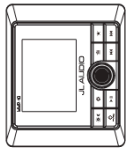
Electrical	
Operating Voltage	14V DC (10V – 15.9V)
Operating Temp Range	-4 F to +158 F (-20 C to +70 C)
Current Draw / Fuse Value	1.5 A (max) / 120 mA (standby) / 5 A
	NMEA 2000® LEN
	1 (Micro-C connector)
Display / Resolution	3.5 in. TFT LCD backlit / 320 x 480
Audio Outputs/Inputs	
Output Channels	One stereo pair and mono subwoofer (RCA plugs per zone)
Output Configuration	Relative, Absolute, Fixed or Off
Maximum Output Voltage	Relative or Absolute: 4V RMS Fixed: Selectable 4V/2V/1V RMS
Output Impedance	250 Ω
Auxiliary Input Channels	Two stereo pairs of RCA plugs (2V/1V RMS Input, Sensitivity)
Tuner	
FM Tuner with RDS	87.5 MHz to 107.9 MHz (0.2 MHz step)
AM Tuner	530 kHz to 1710 kHz (10 kHz step)
DB+ Tuner	170 MHz to 230 MHz
Favorites	24 presets across all tuners/bands
Bluetooth®	
Profile	A2DP v1.2, AVRCP v1.4
Core Specification	Version 2.1 + EDR
Codec	SBC, Qualcomm® aptX™ audio
Connection Range	Up to 35 ft. / 11 m
USB	
Interface	USB 2.0
Charging Output	USB1: 1 A / USB2: 500 mA
Supported Audio Formats	MP3, MP4, WAV, AAC, iMA4, iM4B iPhone SE (2nd generation), iPhone 11 Pro, iPhone 11 Pro Max, iPhone 11, iPhone 11 SE, iPhone XS Max, iPhone XS, iPhone XR, iPhone X, iPhone 8 Plus, iPhone 8 (functionality contingent upon compatible OS release)
Apple Compatibility	
Dimensions	
Unit W x H x D	5.94 in. x 3.90 in. x 3.94 in. (151 mm x 99 mm x 100 mm)
Mounting Hole W x H	4.72 in. x 3.25 in. (120 mm x 83 mm)

AUXILIARY CONTROL OPTIONS

Your MediaMaster® includes two connection types for adding control capabilities from auxiliary locations. Refer to the supplied Owner's Manual of each controller/type (sold separately) for specific user and installation instructions.

NIMEA 2000® Connection

NIMEA 2000® Micro-C connector interfaces directly with NIMEA 2000® networks using applicable NIMEA 2000® cables and connectors (sold separately).



MMR-40

NIMEA 2000® Network Controller with Full-Color LCD Display
Full-function, water-resistant (IP66 rated) controller



MMR-5N2K

NIMEA 2000® Volume Controller
Water-resistant (IPX7 rated) controller



NIMEA 2000® MFD Control

Achieve control capabilities from compatible multi-function displays (MFD). NIMEA 2000® functionality requires compatible NIMEA 2000® entertainment protocols (PGN) and may require a software upgrade of connected MFD devices. Refer to your MFD's manufacturer for device compatibility info.

REMOTE Connection

Permits direct connection of MediaMaster® wired controllers (sold separately) using accessory controller cables and splitters (sold separately). Add up to three remotes to a single MediaMaster®, at up to 75 ft (23 m) away.



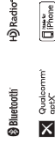
MMR-20-BE

Wired Remote Controller
Auxiliary, water-resistant (IP67 rated) controller



MediaMaster® 105

MANUEL D'UTILISATION



DECLARATION DE COMPATIBILITE FCC

Cet appareil est conforme à la partie 15 des règles FCC. Son fonctionnement est soumis aux deux conditions suivantes :

- (1) cet appareil ne doit pas causer d'interférences nuisibles, et (2) cet appareil doit tolérer les interférences reçues, y compris celles qui peuvent causer un fonctionnement non désiré. Ces limites visent à garantir une protection raisonnable contre les interférences nuisibles d'une installation domestique.

Cet appareil génère, utilise et peut émettre de l'énergie radio électrique et, s'il n'est pas installé et utilisé conformément aux instructions, peut causer des interférences nuisibles aux communications radio. Cependant, rien ne garantit que des interférences ne se produiront pas dans une installation particulière. Si cet appareil provoque des interférences nuisibles avec la réception des signaux de radio ou de télévision, qui peuvent être vérifiés en éteignant et en rallumant l'appareil, l'utilisateur est encouragé à essayer de corriger ce problème en prenant une ou plusieurs des mesures suivantes :

- réorienter ou repositionner l'antenne de réception.
- Augmenter la séparation entre l'équipement et le récepteur.
- Brancher l'équipement sur la prise d'un circuit électrique différent de celui sur lequel est branché le récepteur.

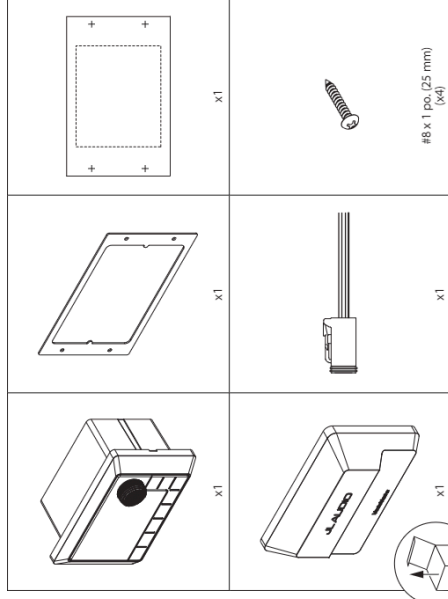
- Consulter le revendeur ou un technicien radio/TV expérimenté pour obtenir conseil.
- Tout changement ou toute modification non approuvé expressément par la partie responsable de la conformité peut annuler l'autorisation de l'utilisateur à utiliser cet équipement.

CONSIDERATIONS RELATIVES A LA SECURITE :

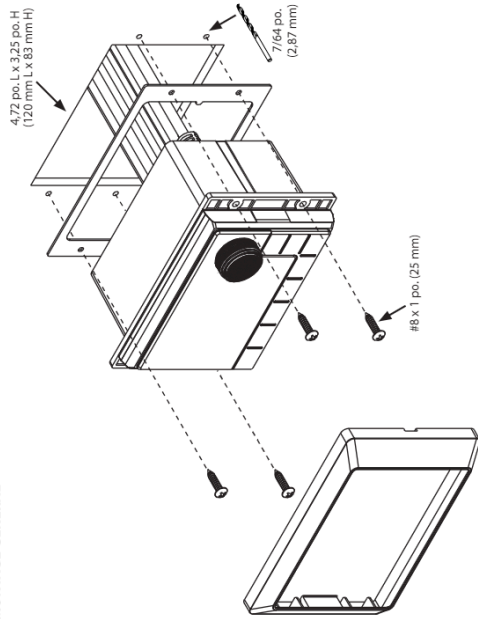
- Utilisez ce produit uniquement sur des véhicules équipés de systèmes électriques de 12 V mis à la terre négative. Ce produit n'est ni certifié ni approuvé pour une utilisation en avion.
- Fixez solidement ce produit pour éviter tout risque de dommages ou de blessures graves.
- Ne remplacez pas le fusible du câble d'alimentation par un fusible d'une autre valeur. Ne contournez jamais le fusible.
- Écoutez votre système audio à un volume adapté aux conditions de fonctionnement et à votre audition.

CONSIDERATIONS RELATIVES A L'INSTALLATION

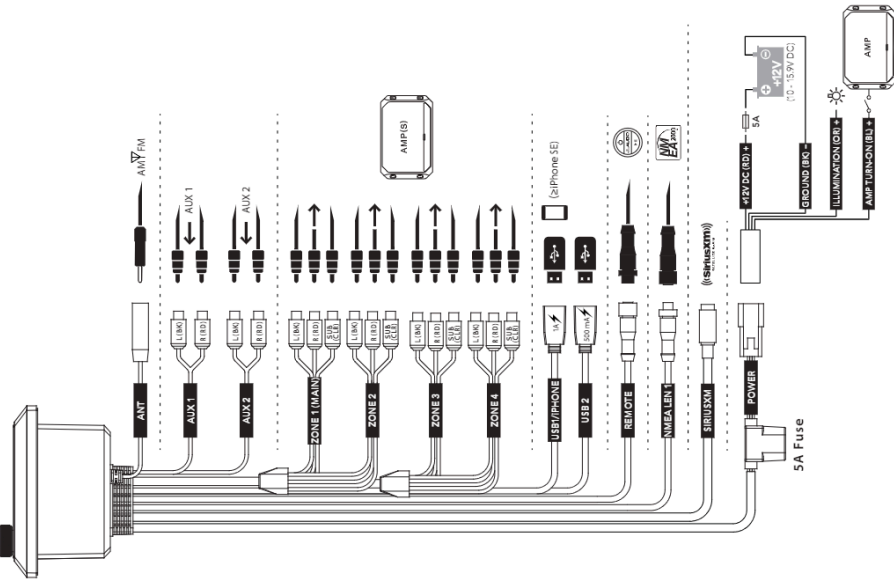
- L'installation nécessite des outils et des équipements de sécurité appropriés. Une installation par un professionnel est recommandée.
- Ce produit résiste à l'eau. Ne l'immergez pas ou ne le soumettez pas à un jet d'eau à haute pression.
- Avant l'installation, éteignez le système audio et débranchez la batterie de ce dernier.
- Installez le produit dans un endroit sec et bien ventilé qui n'interfère pas avec vos systèmes installés en usine. En l'absence d'environnement sec, installez-le dans un endroit qui n'est pas exposé à de fortes projections.
- Avant de procéder au découpage ou au perçage, vérifiez l'absence d'obstacles potentiels derrière les surfaces de montage.
- Éloignez soigneusement tous les câbles de pièces mobiles et des bords tranchants. Fixez-les à l'aide d'attaches ou de serre-câbles et utilisez des passe-câbles et des faisceaux de câbles, le cas échéant, pour les protéger des bords tranchants.



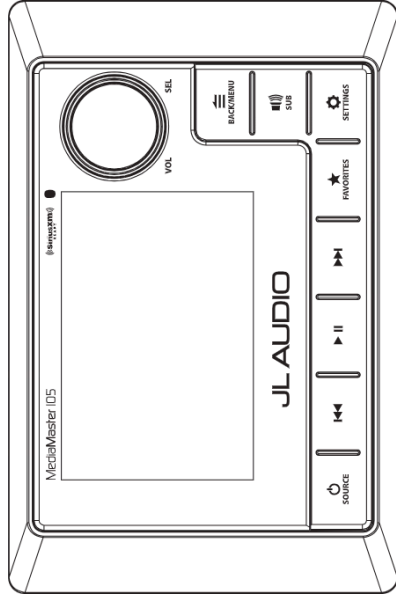
MONTAGE GÉNÉRAL












BRANCHEMENTS GÉNÉRAUX







PANNEAU DE COMMANDE



FONCTIONS DE COMMANDE GÉNÉRALES



Commande	Fonction
 SOURCE	<ul style="list-style-type: none"> Appuyer brièvement pour allumer l'appareil ; appuyer longuement pour l'éteindre Une fois en marche, appuyer brièvement pour afficher le menu SOURCE:Select
	<ul style="list-style-type: none"> Tourner pour régler le volume Tourner/appuyer pour naviguer et effectuer des sélections
 SUB	<ul style="list-style-type: none"> Appuyer brièvement pour accéder aux réglages Subwoofer Trim Level
 SETTINGS	<ul style="list-style-type: none"> Appuyer brièvement pour accéder aux réglages Audio Zone: Tone & Balance Appuyer longuement pour accéder aux System Settings: Main Menu
 BACK/MENU	<ul style="list-style-type: none"> Appuyer brièvement pour revenir en arrière ou accéder à des menus spécifiques du récepteur
 FAVORITES	<ul style="list-style-type: none"> Appuyer brièvement pour accéder aux présélections enregistrées Appuyer longuement pour enregistrer une fréquence comme présélection (24 max.)
 Mute/ Pause	<ul style="list-style-type: none"> Appuyer brièvement pour couper/rétablir le son (AM/FM/SiriusXM/DAB+/AUX1/AUX2) ou mettre en pause/reprendre la sélection en cours (USB1 / USB2/Bluetooth) Quand l'écran Audio Zone Levels s'affiche, appuyer pour couper tous les sons (AM/FM/SiriusXM/DAB+/AUX1/AUX2/USB1/USB2/Bluetooth)
	<ul style="list-style-type: none"> Appuyer brièvement pour : Manuellement régler le tuner vers l'avant (AM/FM/SiriusXM/DAB+) Sélectionner la piste suivante (USB1/USB2/Bluetooth) <p>Appuyer longuement pour :</p> <ul style="list-style-type: none"> Chercher la prochaine chaîne (FM) ; Sauter dix étapes de fréquence vers l'avant (AM) Lancer une Consultation rapide des chaînes vers l'avant (SiriusXM) Avancée rapide (USB1/USB2)
	<ul style="list-style-type: none"> Appuyer brièvement pour : Manuellement régler le tuner vers l'arrière (AM/FM/SiriusXM/DAB+) Recommencer/sélectionner la piste antérieure (USB1/USB2/Bluetooth) <p>Appuyer longuement pour :</p> <ul style="list-style-type: none"> Chercher la chaîne antérieure (FM) ; Sauter dix étapes de fréquence vers l'arrière (AM) Lancer une Consultation rapide des chaînes vers l'arrière (SiriusXM) Marche arrière rapide (USB1/USB2)

PARAMÈTRES DU MENU SYSTÈME	
	<ul style="list-style-type: none"> Appuyer longuement pour accéder aux System Settings: Main Menu
	<ul style="list-style-type: none"> Faire tourner pour naviguer Appuyer pour sélectionner
Paramètre	Fonction
Name this Device	Créer un nom personnalisé qui s'affichera sur les appareils Bluetooth connectés et les réseaux NMEA 2000°.
Audio Zone Setup	Configure chaque Jeu de sorties de la zone audio
AUX Input Sensitivity	Configure la sensibilité de l'entrée AUX: 2V ou 1V RMS (par défaut)
Diagnostic	Affiche le numéro de série, les informations sur le matériel informatique et la version du logiciel
Display	Configure l'affichage et les réglages de luminosité
Low Voltage Alert	Alerte intégrale signalant une baisse de la tension d'alimentation +12 Vcc en-deçà de 10 volts.
Scrolling Text	Permet un défilement continu des infos textuelles piste/RDS
Tuner Region	Configure la plage/portée du tuner AM/FM pour une région particulière : DAB+ remplace Sirius XM en dehors de l'Amérique du Nord
Power-up Settings	Configure l'activation de l'affichage une fois sous tension

PARAMÈTRES DU MENU DE LA ZONE AUDIO			
	<ul style="list-style-type: none"> Appuyer longuement pour accéder aux System Settings: Main Menu 		
	<ul style="list-style-type: none"> Faire tourner pour naviguer Appuyer pour sélectionner 		
Zone	Fonction	Paramètre 1	Paramètre 2
Z1 : Zone 1 Z2 : Zone 2 Z3 : Zone 3 Z4 : Zone 4	Mode Contrôle du niveau	Relatif : Relie les niveaux de volume des Zones 2 à 4 au niveau de la Zone 1. (Les zones reliées suivent proportionnellement le volume de la Zone 1). Le niveau offset de chaque zone peut être réglé indépendamment, pour vous permettre de créer un contrôleur de niveau personnalisé et particulier à l'agencement du vaisseau. Absolu : Crée un contrôle de niveau indépendant pour les zones sélectionnées, chacun avec son propre curseur de volume séparé.	4 VRMS Max (défaut) 2 VRMS Max 1 VRMS Max
		Fixe	
		Éteint	
	Renommer la zone	Proue, Pont, Cabine, Cockpit, Cuisine, Gouvernail, Cabine supérieure 1 Cabine supérieure 2, Tour, Traverse	Entrée alphanumérique
	Limite de volume maxi	Valeur d'usine par défaut	
	Sub 1 Sub 2 Sub 3 Sub 4	Limite vol. max.	
		Filter passebas (LPF)	Arrêt (défaut) 60 Hz 80 Hz 100 Hz
		Sub arrêt	
Z2 : Zone 2 Z3 : Zone 3 Z4 : Zone 4	Mode Contrôle de tonalité	Comme la Zone 1	
	Contrôle de tonalité indépendant		

AUDIO BLUETOOTH®

Vous pouvez diffuser du son en streaming, sans fil, depuis un appareil compatible à Bluetooth à une distance de jusqu'à 11 m. Jusqu'à 8 appareils peuvent être appariés au MM105 mais un seul appareil de streaming peut être connecté à la fois.



PARAMÈTRES DU MENU BLUETOOTH	
	<ul style="list-style-type: none">Après avoir sélectionné Bluetooth comme source, appuyer brièvement pour afficher le Bluetooth : Main Menu
	<ul style="list-style-type: none">Faire tourner pour naviguerAppuyer pour sélectionner
Paramètre	Fonction
Now Playing	Retourner à l'écran Now playing
Pair New Device	Lancer le mode d'appariage (les appareils connectés seront déconnectés)
Connect Paired Device	Afficher tous les appareils appariés pour la connexion
Set Primary Device	Attribuer une priorité à un appareil apparié pour la connexion automatique
Delete a Paired Device	Sélectionner les appareils appariés à supprimer
Delete All Paired Devices	Supprimer de la mémoire tous les appareils appariés

CONNEXIONS USB

Le MM105 inclut deux ports à connecter aux dispositifs de classe de stockage USB (clé USB, lecteur audio numérique, etc.)

USB 1 : Connexion haute vitesse pour utilisation avec un iPhone®/iPod® (certifié MFi) ou un dispositif de stockage USB (sortie de charge 1 A)

USB 2 : Connexion du dispositif de stockage USB à plein régime (sortie de charge 500 mA)

PARAMÈTRES DU MENU USB	
	<ul style="list-style-type: none">Après avoir sélectionné USB1 ou USB2 comme source, appuyer brièvement pour afficher le USB: Main Menu
	<ul style="list-style-type: none">Faire tourner pour naviguerAppuyer pour sélectionner
Paramètre	Fonction
Now Playing	Retourner à l'écran Now playing
Shuffle	Activer la sélection aléatoire Marche ou Arrêt (défaut)
Repeat	Activer la répétition : Tout, Chanson ou Arrêt (défaut)
Playlists	Affiche les Listes de diffusion dans la bibliothèque
Artists	Affiche les Artistes dans la bibliothèque
Songs	Affiche les Chansons dans la bibliothèque
Albums	Affiche les Albums dans la bibliothèque
Genres	Affiche les Genres dans la bibliothèque
Composers	Affiche les Compositeurs dans la bibliothèque

IMPORTANT

- Sécuriser correctement l'appareil connecté avant de conduire pour empêcher les détériorations résultant d'une chute ou d'une accélération/un freinage soudain.
- Le contrôle, la fonctionnalité et l'affichage peuvent varier selon le modèle et la version de l'iPhone® connecté.
- En cas de connexion via un port USB, veiller à supprimer l'appareil ou à désactiver la connexion Bluetooth pour éviter des conflits de playback éventuels.
- En cas de performance anormale pendant le fonctionnement, déconnecter l'iPhone® et vérifier son état. Remettre l'iPhone® en marche si la performance ne s'améliore pas.
- « Made for iPhone » signifie qu'un accessoire électronique a été conçu pour se connecter spécialement à un iPhone® et qu'il a été certifié par le développeur comme conforme aux normes de performance Apple. Apple décline toute responsabilité au niveau du fonctionnement de cet appareil ou de sa conformité aux normes de sécurité et aux normes réglementaires. À noter que l'utilisation de cet accessoire avec un iPhone® peut affecter la performance sans fil.
- iPhone® et toutes les marques et logos associés sont des marques commerciales d'Apple Inc., une société immatriculée aux USA et dans d'autres pays.

RADIO SATELLITE SIRIUSXM™

Seul SiriusXM™ vous propose tout ce que vous aimez entendre et plus encore, en un même endroit. Vous bénéficierez de plus de 140 chaînes, notamment des chaînes de musique sans publicité, sports et qui y a de mieux en termes de spots, actualités, discussions, comédies et divertissements. Bienvenue au monde de la radio satellite. Un tour de voiture SiriusXM et un abonnement sont nécessaires. Pour tous renseignements complémentaires, consultez le site www.siriusxm.com. (Le service SiriusXM est uniquement disponible dans les états continentaux des USA et au Canada.)

Activer l'abonnement à SiriusXM

Après avoir installé l'antenne et le tuner SiriusXM, mettez le MMI05 en marche et sélectionnez le mode SiriusXM. Vous devrez entendre le canal de bande-annonce de SiriusXM sur la chaîne 1. Si vous n'entendez pas le canal de bande-annonce, vérifiez les instructions sur l'installation pour veiller à ce que votre tuner SiriusXM Connect soit bien installé.

Après avoir entendu le canal de bande-annonce, synchronisez-vous à la Chaîne 0 pour trouver l'ID Radio de votre tuner. L'ID Radio se trouve par ailleurs en bas du tuner de votre tuner SiriusXM Connect et sur son emballage. Vous avez besoin de ce numéro pour activer votre abonnement. Notez le numéro à titre de référence.

Note : l'ID Radio du SiriusXM n'inclut pas les lettres I, O, S ou F.

Aux USA, vous pouvez activer en ligne ou en appelant le service d'assistance SiriusXM

Listener Care :

- Consultez le site www.siriusxm.com/activatenow
- Appelez le service SiriusXM Listener Care au 1-866-635-2349

Pour les abonnements canadiens,

veuillez contacter :

- Consultez le site www.siriusxm.ca/activate
- Appelez le service SiriusXM Customer Care au 1-888-539-7474

Dans le cadre du processus d'activation, les satellites Sirius XM enverront un message d'activation à votre tuner. Lorsque votre radio

détecte que le tuner a reçu le message d'activation, votre radio affichera : « Subscription Updated ». Une fois abonné, vous pouvez synchroniser les chaînes dans votre plan d'abonnement.

Remarque : Le processus d'activation prend normalement de 10 à 15 minutes, mais peut prendre jusqu'à une heure. Votre radio devra être alimentée et recevoir le signal SiriusXM pour recevoir le message d'activation.

Contrôles parentaux

Certaines chaînes de SiriusXM contiennent un contenu adulte. Lorsque la fonction Contrôles parentaux est activée, l'accès aux chaînes avec un contenu adulte sera limité et nécessitera un code de verrouillage à 4 chiffres.

Activation des Contrôles parentaux

1. Appuyez **BACK/MENU** pour accéder à SiriusXM; Main Menu.
2. Tournez **VOL/SEL** à Parental Controls et appuyez pour entrer.
3. Appuyez sur **VOL/SEL** pour sélectionner Lock Mature Channels. Vous devez ensuite saisir un code de verrouillage à quatre chiffres pour verrouiller les chaînes comportant un contenu adulte. (Code par défaut pour le Contrôle parental : 0000)
4. Utilisez **VOL/SEL** le code de verrouillage à 4 chiffres et sélectionnez Save quand vous avez terminé.

Changer le code de verrouillage

1. Appuyez sur **BACK/MENU** pour accéder à SiriusXM; Main Menu.
2. Tournez **VOL/SEL** à Parental Controls et appuyez pour entrer.
3. Tournez **VOL/SEL** à Edit Lock Code et appuyez sur Entrer.
4. Utilisez **VOL/SEL** le code de verrouillage à 4 chiffres actuel et sélectionnez Entrer quand vous avez terminé.
5. Utilisez **VOL/SEL** le nouveau code de verrouillage et sélectionnez Entrer pour confirmer. Assurez-vous de sauvegarder votre code de verrouillage à 4 chiffres pour référence ultérieure.

MENU PRINCIPAL SIRIUSXM

Il donne accès aux options du menu opérationnel SiriusXM. Voir le tableau ci-dessous pour les paramètres et la fonctionnalité disponibles.

1. Appuyez sur **BACK/MENU** pour accéder à SiriusXM; Main Menu.
2. Tournez **VOL/SEL** pour mettre en évidence l'un des réglages du menu figurant sur le tableau ci-dessous et appuyez sur Entrer.
3. Utilisez **VOL/SEL** pour sélectionner.

Paramètre	Fonction
Now Playing	Retourner à l'écran Now playing à SiriusXM.
Browse By Channel	Voir la liste des chaînes SiriusXM disponibles
Browse By Category	Voir la liste des chaînes SiriusXM disponibles par catégorie
My Account	Voir le statut de votre compte SiriusXM, votre ID Radio et la commande Reset SiriusXM
Parental Controls	Paramètres pour accéder à Verrouiller et Déverrouiller les chaînes SiriusXM adultes
Direct Tune	Permet d'entrer pour sélectionner directement la chaîne

Couverture d'album

La couverture de l'album peut être affichée pour la plupart des chaînes de musique SiriusXM. Lorsque la couverture de l'album n'est pas disponible, l'image du logo par défaut de la chaîne ou de SiriusXM s'affiche.

Réinitialisation des paramètres SiriusXM

Une réinitialisation rétablit tous les privilèges et les paramètres, notamment le contrôle parentaux, à leurs valeurs d'usine par défaut.

1. Appuyez sur **BACK/MENU** pour accéder à SiriusXM; Main Menu.
2. Tournez **VOL/SEL** à My Account et appuyez pour Entrer.
3. Tournez **VOL/SEL** à Reset SiriusXM et appuyez pour Entrer.
4. Utilisez **VOL/SEL** pour sélectionner Confirm.

Sirius XM et toutes les marques et les logos associés sont des marques commerciales de Sirius XM Radio Inc. Tous droits réservés.

DÉPISTAGE DE PANINES SIRIUSXM

Des messages conseils peuvent s'afficher sur l'écran quand un tuner de voiture SiriusXM-Connect est relié au MM105. Voir le tableau ci-dessous pour une explication et les mesures correctives suggérées.

Message conseil	Description
Check Antenna (Vérifier l'antenne)	<p>La radio a détecté un problème au niveau de l'antenne SiriusXM. Il se peut que le câble de l'antenne soit déconnecté ou endommagé.</p> <ul style="list-style-type: none"> • Vérifiez que le câble de l'antenne est connecté au tuner de voiture SiriusXM Connect. • Inspectez le câble de l'antenne en cas de détériorations et de courbures. Remplacez l'antenne si le câble est endommagé. • Les produits SiriusXM sont disponibles auprès de votre détaillant audio local ou en ligne à www.shop.siriusxm.com.
Check Tuner (Vérifier le tuner)	<p>La radio a des difficultés de communication avec le tuner de voiture SiriusXM Connect. Il se peut que le tuner soit déconnecté ou endommagé.</p> <ul style="list-style-type: none"> • Vérifiez que le câble du tuner pour véhicules SiriusXM Connect est fermement connecté à la radio.
No Signal (Absence de signal)	<p>Le tuner de voiture SiriusXM Connect a des difficultés à recevoir le signal du satellite SiriusXM.</p> <ul style="list-style-type: none"> • Vérifiez que votre véhicule/vaisseau se trouve à l'extérieur, avec une vue dégagée du ciel. • Vérifiez que l'antenne du SiriusXM est installée à l'extérieur. • Éloignez l'antenne du SiriusXM de toute obstruction éventuelle. • Inspectez le câble de l'antenne en cas de détériorations et de courbures. • Consultez le manuel d'installation du tuner de voiture SiriusXM Connect pour tous renseignements complémentaires sur l'installation de l'antenne. Remplacez l'antenne si le câble est endommagé. Les produits SiriusXM sont disponibles auprès de votre détaillant audio local ou en ligne à www.shop.siriusxm.com.
Subscription Updated (Mise à jour de l'abonnement)	<p>La radio a détecté un changement dans le statut de votre abonnement à SiriusXM. Appuyez sur VOL/SEL pour supprimer le message. Aux USA, consultez le site www.siriusxm.com ou appelez le 1-866-635-2349 si vous avez des questions au sujet de votre abonnement. Au Canada, consultez le site www.siriusxm.ca ou appelez le 1-888-539-7474 si vous avez des questions au sujet de votre abonnement.</p>
Channel Unavailable (Chaîne indisponible)	<p>La chaîne que vous avez sélectionnée n'est pas une chaîne SiriusXM valide ou la chaîne que vous écoutez n'est plus disponible. Vous verrez aussi peut-être brièvement se message quand vous vous connectez au tuner de voiture SiriusXM Connect. Consultez le site www.siriusxm.com pour tous renseignements complémentaires sur la liste de chaînes SiriusXM.</p>
Channel Unavailable (Désabonnement à la chaîne)	<p>La chaîne que vous avez sélectionnée n'est pas incluse dans votre forfait d'abonnement SiriusXM ou la chaîne que vous écoutez n'est plus incluse dans votre forfait d'abonnement SiriusXM. Aux USA, consultez le site www.siriusxm.com ou appelez le 1-866-635-2349 si vous avez des questions au sujet de votre abonnement ou si vous souhaitez vous abonner à cette chaîne. Au Canada, consultez le site www.siriusxm.ca ou appelez le 1-877-438-9677.</p>
Channel Locked (Chaîne verrouillée)	<p>La chaîne que vous avez demandée est verrouillée par la fonction Contrôles parentaux de la radio. Voir les Contrôles parentaux sur page 13, pour tous renseignements complémentaires sur la fonction Contrôles parentaux et comment accéder aux chaînes verrouillées.</p>

CARACTÉRISTIQUES

Électricité	
Tension de service	14,4 Vcc (10V - 15,9V)
Plage de températures de service	De -20°C à +70°C
Consommation de courant / Valeur du fusible	1,5 A (max) / 120 mA (veille) / 5 A
NMEA 2000+ LEN	1 (connecteur Micro-C)
Affichage/Résolution	3,5 pouces LCD TFT rétro-éclairé / 320 x 480
Entrées/sorties audio	
Canaux de sortie	Une paire RCA stéréo et subwoofer RCA mono par zone
Configuration de la sortie	Relatif, Absolu, Fixe ou Arrêt
Tension de sortie maximale	Relatif ou Absolu : 4 V RMS
	Fixe : 4 V/2 V/1 V RMS sélectionnables
Impédance d'entrée	250 Ω
Canaux d'entrée auxiliaires	Deux paires RCA stéréo (sensibilité d'entrée de 2 V/1 V RMS)
Tuner	
Tuner FM avec RDS	87,5 MHz à 107,9 MHz (pas de 0,2 MHz)
Tuner AM	530 kHz à 1 710 kHz (pas de 10 kHz)
Tuner DAB+	170 MHz à 230 MHz
Favoris	24 présélections sur l'ensemble des tuners/bandes
Bluetooth®	
Profil	A2DP v1.2, AVRCP v1.4
Spécification de base	Version 2.1 + EDR
Codec	SBC, Qualcomm® aptX™ audio
Portée de la connexion	11 m
USB	
Interface	USB 2.0
Sortie de charge	USB1 : 1 A / USB2 : 500 mA
Formats audio pris en charge	MP3, MP4, WAV, AAC, M4A, M4B iPhone SE (2nd génération), iPhone 11 Pro, iPhone 11 Pro Max, iPhone XS, iPhone XR, iPhone X, iPhone 8 Plus, iPhone 8 (fonctionnalité nécessite une version iOS compatible)
Compatibilité Apple	
Dimensions	
Récepteur L x H x P	5,94 po x 3,90 po x 3,94 po, (151 mm x 99 mm x 100 mm)
Orifice de montage largeur x hauteur	4,72 po x 3,25 po (120 mm x 83 mm)

OPTIONS DE COMMANDE AUXILIAIRE

Votre MediaMaster® inclut deux types de connexion pour ajouter des capacités de commande depuis des endroits auxiliaires. Reportez-vous au manuel d'utilisation fourni pour chaque contrôleur/type (vendu séparément) afin d'obtenir des instructions spécifiques d'installation et d'utilisation.

Connexion NMEA 2000®

Le connecteur Micro-C NMEA 2000® a une interface directe avec les réseaux NMEA 2000® en utilisant les câbles et connecteurs NMEA 2000® applicables (vendus séparément).



MMR-40

Contrôleur de réseau NMEA 2000® avec écran LCD en couleurs
Télécommande étanche (IP66) avec jeu complet de fonctions



MMR-5N2K

Contrôleur de volume NMEA 2000®
Télécommande étanche (IPX7)



Commande MFD NMEA 2000®

Obtenir les capacités de contrôle depuis les affichages multi-fonctions compatibles (MFD). La fonctionnalité NMEA 2000® nécessite des protocoles de divertissement NMEA 2000® compatibles (PGN) et peut nécessiter une optimisation logicielle des appareils MFD connectés. Consultez le fabricant de votre MFD pour obtenir des informations sur la compatibilité de l'appareil.

CONNEXION à distance

Permet une connexion directe des contrôleurs câblés MediaMaster® (vendus séparément) en utilisant les câbles du contrôleur accessoire et des séparateurs (vendus séparément). Ajoutez jusqu'à trois télécommandes à un seul MediaMaster®, à une distance de jusqu'à 23 m.



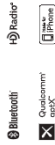
MMR-20-BE

Télécommande filaire
Télécommande auxiliaire,
résistante à l'eau (IP67)



MediaMaster® 105

MANUAL DEL PROPIETARIO



DECLARACION DE CUMPLIMIENTO CON LA FCC

Este dispositivo cumple con la parte 15 de las normas de la FCC (Comisión Federal de Comunicaciones de los Estados Unidos). Su funcionamiento está sujeto a las dos condiciones siguientes: (1) este dispositivo no puede causar interferencias perjudiciales, y (2) este dispositivo no debe aceptar ninguna interferencia recibida, incluidas las que puedan provocar un funcionamiento no deseado.

Dichos límites tienen como fin proporcionar protección razonable contra interferencias perjudiciales en una instalación residencial.

Este equipo genera, usa y puede irradiar energía de radiofrecuencia y, en caso de no ser instalado conforme a las instrucciones, puede ocasionar interferencias perjudiciales para las comunicaciones por radio. No obstante, no existe garantía de que no se produzcan interferencias en una instalación en particular. Si este equipo genera interferencias perjudiciales en la recepción de señales de radio o televisión, se recomienda al usuario que intente corregir las interferencias mediante una o más de las siguientes medidas:


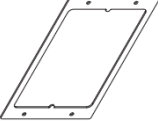

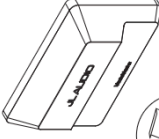


- Reoriente o reubique la antena receptora.
 - Aumente la separación entre el equipo y el receptor.
 - Conecte el equipo en una salida de un circuito diferente de aquel al cual está conectado el receptor.
 - Consulte con el distribuidor o con un técnico experimentado en radios/televisores para obtener ayuda.
- Cualquier cambio o modificación no aprobado expresamente por la parte responsable del cumplimiento podría anular la autoridad del usuario para utilizar este equipo.

CONSIDERACIONES RELATIVAS A LA SEGURIDAD

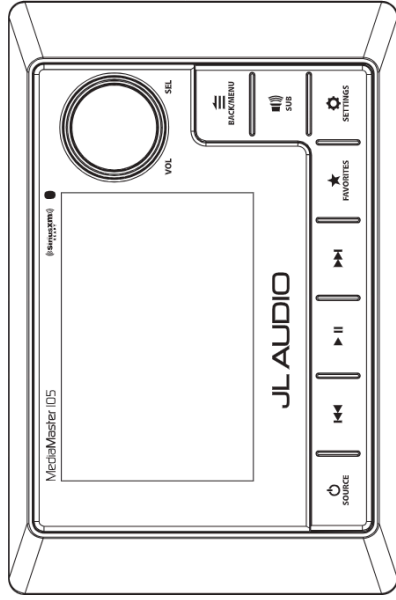
- Utilice este producto únicamente en vehículos con sistemas eléctricos de 12 V con toma de tierra negativa. Este producto no está certificado ni aprobado para su uso en aeronaves.
- Monte este producto de forma segura para evitar daños o lesiones en condiciones extremas.
- No sustituya el fusible del cable de alimentación por uno de diferente valor.
- No puentee nunca el fusible.
- Escuche el sistema de audio a un volumen adecuado, teniendo en cuenta las condiciones de funcionamiento y la seguridad auditiva.

CONSIDERACIONES SOBRE LA INSTALACIÓN










- Para la instalación se requieren herramientas y equipos de seguridad adecuados. Se recomienda que la instalación la realice un profesional.
- Este producto es resistente al agua. No se debe sumergir ni rociar con agua a alta presión.
- Antes de la instalación, apague el sistema de audio y desconecte el sistema de batería del sistema de audio.
- Instálelo en un lugar seco y bien ventilado que no interfiera con los sistemas instalados de fábrica. Si no se dispone de un entorno seco, puede utilizarse un lugar que no esté expuesto a fuertes salpicaduras.
- Antes de cortar o taladrar, compruebe que no haya obstáculos detrás de las superficies de montaje.
- Coloque cuidadosamente todo el cableado del sistema lejos de piezas móviles y de bordes afilados; asegúrelo con flejes o abrazaderas para cables, y utilice pasacables y protectores de mazzos de cables cuando sea necesario para protegerlo de los bordes afilados.



 <p style="text-align: center;">x 1</p>	 <p style="text-align: center;">x 1</p>	 <p style="text-align: center;">x 1</p>
 <p style="text-align: center;">x 1</p>	 <p style="text-align: center;">x 1</p>	 <p style="text-align: center;">Nº 8 x 1 in. (25 mm) (x 4)</p>



PANEL DE CONTROL



FUNCIONES GENERALES DE CONTROL



Control	Función
 SOURCE	<ul style="list-style-type: none"> • Presionar brevemente para encender; mantener presionado para apagar • Con el dispositivo encendido, presionar brevemente para visualizar el menú SOURCE: Select
	<ul style="list-style-type: none"> • Girar para ajustar el volumen • Girar/presionar para navegar y seleccionar
 SUB	<ul style="list-style-type: none"> • Presionar brevemente para acceder a los ajustes Subwoofer Trim Level
 SETTINGS	<ul style="list-style-type: none"> • Presionar brevemente para acceder a los ajustes Audio Zone: Tone & Balance • Mantener presionado para acceder a System Settings: Main Menu
 BACK/MENU	<ul style="list-style-type: none"> • Presionar brevemente para regresar al menú anterior o acceder a los menús específicos de la fuente
 FAVORITES	<ul style="list-style-type: none"> • Presionar brevemente para acceder a las frecuencias memorizadas como favorita en la memoria (máx. 24)
 Mute/ Pause	<ul style="list-style-type: none"> • Presionar brevemente para silenciar/reactivar el audio (AM/FM/SiriusXM/DAB+/AUX1/AUX2) o pausar/reanudar la selección actual (USB1/USB2/Bluetooth) • Cuando se visualiza la pantalla Audio Zone Levels, presionar para silenciar todo el audio (AM/FM/SiriusXM/DAB+/AUX1/AUX2/USB1/USB2/Bluetooth)
 Forward	<p>Presionar brevemente para:</p> <ul style="list-style-type: none"> • Ajustar manualmente el sintonizador hacia delante (AM/FM/SiriusXM/DAB+) • Seleccionar la siguiente pista (USB1/USB2/Bluetooth) <p>Mantener presionado para:</p> <ul style="list-style-type: none"> • Buscar el siguiente canal (FM); avanzar diez incrementos de frecuencia (AM) • Iniciar la búsqueda rápida de canales hacia adelante (SiriusXM) • Avanzar rápidamente (USB1/USB2)
 Backward	<p>Presionar brevemente para:</p> <ul style="list-style-type: none"> • Ajustar manualmente el sintonizador hacia atrás (AM/FM/SiriusXM/DAB+) • Reiniciar la pista/seleccionar la pista anterior (USB1/USB2/Bluetooth) <p>Mantener presionado para:</p> <ul style="list-style-type: none"> • Buscar el canal anterior (FM); retroceder diez incrementos de frecuencia (AM) • Iniciar la búsqueda rápida de canales hacia atrás (SiriusXM) • Retroceder rápidamente (USB1/USB2)

AJUSTES DEL MENÚ DEL SISTEMA	
	<ul style="list-style-type: none"> Mantener presionado para acceder a System Settings: Main Menu
	<ul style="list-style-type: none"> Girar para navegar Presionar para seleccionar
Ajuste	Función
Name this Device	Crear un nombre personalizado para mostrarlo en los dispositivos Bluetooth conectados y en las redes NMEA 2000*
Audio Zone Setup	Configurar las salidas en las diferentes zonas de audio
AUX Input Sensitivity	Configurar la sensibilidad de la entrada AUX: 2 V o 1 V RMS (predeterminado)
Diagnostic	Mostrar el número de serie y la información sobre el hardware y la versión de software
Display	Configurar los ajustes de la pantalla y el brillo
Low Voltage Alert	La alerta incorporada avisa cuando el voltaje de alimentación de +12 V _{cc} cae por debajo de los 10 voltios
Scrolling Text	Permitir el desplazamiento continuo de la información de texto RDS/pista disponible
Tuner Region	Configurar el rango/escala del sintonizador AM/FM para una región específica: DAB+ sustituye a SiriusXM fuera de Norteamérica
Power-up Settings	Configurar que se active la pantalla al conectarla a la alimentación

AJUSTES DEL MENÚ DE AUDIO	
	<ul style="list-style-type: none"> Mantener presionado para acceder a System Settings: Main Menu
	<ul style="list-style-type: none"> Girar para navegar Presionar para seleccionar
Zona	Función
Z1: Zona 1 Z2: Zona 2 Z3: Zona 3 Z4: Zona 4	<p>Relative: Vincular los niveles de volumen de las zonas 2-4 con el nivel de la zona 1. (Las zonas seguirán el volumen de la zona 1 proporcionalmente). La diferencia de nivel de cada zona se puede ajustar de forma independiente, lo que permite crear un controlador de nivel personalizado, específico de la distribución en cada embarcación.</p> <p>Absolute: Crear un control de nivel independiente para las zonas seleccionadas, cada una con su propio control deslizable de nivel de volumen.</p> <p>Fixed</p> <p>4 V RMS máx. (predeterminado) 2 V RMS máx. 1 V RMS máx.</p>
	<p>Off</p> <p>Bow, Bridge, Cabin, Cockpit, Galley, Helm, Stateroom 1, Stateroom 2, Tower, Transom</p> <p>Custom Name</p> <p>Entrada alfanumérica</p>
	<p>Factory Default</p> <p>Max Vol Limit</p> <p>Sub 1 Sub 2 Sub 3 Sub 4</p> <p>Off (predeterminado) 60 Hz 80 Hz 100 Hz</p>
Z2: Zona 2 Z3: Zona 3 Z4: Zona 4	<p>Sub Off</p> <p>Same as Zone 1</p> <p>Independent Tone Control</p>

AUDIO BLUETOOTH®

Puede transmitir audio de forma inalámbrica desde un dispositivo compatible con Bluetooth a una distancia máxima de 35 ft (11 m). Se pueden emparejar hasta 8 dispositivos con el MM105, pero solo se puede conectar un dispositivo a la vez para transmitir audio de forma inalámbrica.



AJUSTES DEL MENÚ DE BLUETOOTH	
 BACK/MENU	<ul style="list-style-type: none">• Con Bluetooth seleccionado como fuente, presionar brevemente para visualizar el menú Bluetooth: Main Menu
	<ul style="list-style-type: none">• Girar para navegar• Presionar para seleccionar
Ajuste	Función
Now Playing	Regresar a la pantalla de reproducción Now Playing
Pair New Device	Iniciar el modo de emparejamiento (se desconectarán los dispositivos conectados)
Connect Paired Device	Mostrar todos los dispositivos emparejados para poder conectarlos
Set Primary Device	Asignar prioridad a un dispositivo emparejado para su conexión automática
Delete a Paired Device	Seleccionar entre los dispositivos emparejados para eliminarlos
Delete All Paired Devices	Eliminar de la memoria todos los dispositivos emparejados

CONEXIONES USB

El MM105 incluye dos puertos para conectar dispositivos de almacenamiento USB (unidades USB, reproductores digitales de audio, etc.).

USB 1: Conexión de alta velocidad para iPhone®/iPod® (con certificación MFi) o un dispositivo de almacenamiento USB (salida de carga de 1 A)

USB 2: Conexión de velocidad completa para dispositivos de almacenamiento USB (salida de carga de 500 mA)

AJUSTES DEL MENÚ DE USB	
 BACK/MENU	<ul style="list-style-type: none">• Con USB1 o USB2 seleccionado como fuente, presionar brevemente para visualizar el menú USB: Main Menu
	<ul style="list-style-type: none">• Girar para navegar• Presionar para seleccionar
Ajuste	Función
Now Playing	Regresar a la pantalla de reproducción Now Playing
Shuffle	Activar la reproducción aleatoria: On u Off (predeterminado)
Repeat	Activar la repetición: All, Song u Off (predeterminado)
Playlists	Mostrar las listas de reproducción de la biblioteca
Artists	Mostrar los artistas de la biblioteca
Songs	Mostrar las canciones de la biblioteca
Albums	Mostrar los álbumes de la biblioteca
Genres	Mostrar los géneros de la biblioteca
Composers	Mostrar los compositores de la biblioteca

¡ IMPORTANTE !

- Asegure correctamente el dispositivo conectado antes de conducir para evitar daños por caídas o aceleraciones/frenados bruscos.
- El control, las funciones y la visualización pueden variar según el modelo y la versión del iPhone® conectado.
- Cuando la conexión se realice a través de un puerto USB, asegúrese de desemparejar o desactivar la conexión Bluetooth para evitar que se produzcan conflictos en la reproducción.
- Si experimenta anomalías en el rendimiento durante el funcionamiento, desconecte el iPhone® y compruebe su estado. Reinicie el iPhone® si el rendimiento no mejora.
- "Made for iPhone" significa que un accesorio electrónico se ha diseñado para conectarse específicamente a un iPhone®, y que el desarrollador ha certificado que cumple con los estándares de rendimiento de Apple. Apple no se responsabiliza del funcionamiento de este dispositivo ni de que cumpla las normas de seguridad y reglamentarias. Tenga en cuenta que el uso de este accesorio con un iPhone® puede afectar al rendimiento de conexiones inalámbricas.
- iPhone® y todas las marcas y logotipos relacionados son marcas comerciales de Apple Inc. registradas en Estados Unidos y otros países.

RADIO POR SATELITE SIRIUSXM®
 Solo SiriusXM® le ofrece más de lo que le encanta escuchar, todo en un solo lugar. Disfrute de más de 140 canales, incluida la música sin anuncios, además de los mejores entretenimientos, noticias, magazines, comedia y deportes. Le damos la bienvenida al mundo de la radio por satélite. Se requieren un sintonizador SiriusXM para vehículo y una suscripción. Para obtener más información, visite www.siriusxm.com. (El servicio SiriusXM solo está disponible en la parte continental de los Estados Unidos y en Canadá.)

Activación de la suscripción a SiriusXM
 Después de instalar el sintonizador SiriusXM Connect y la antena, encienda el MM105 y seleccione el modo SiriusXM. Se debería poder escuchar el canal de escucha previa de SiriusXM en el canal 1. Si no se oye el canal de escucha previa, revise las instrucciones de instalación para asegurarse de que el sintonizador de SiriusXM Connect está correctamente instalado.

Una vez que se oiga el canal de escucha previa, sintonice el canal 0 para encontrar el ID de radio de su sintonizador. Además, el ID de radio se encuentra en la parte inferior del sintonizador SiriusXM Connect para vehículo y de su embalaje. Necesitará ese número para activar su suscripción. Anote el número como referencia.

Nota: El ID de radio de SiriusXM no incluye las letras I, O, S ni F.

En Estados Unidos, se puede activar en línea o llamando al servicio de atención al oyente de SiriusXM:

- Visite www.siriusxm.com/activatenow
- Llame al servicio de atención al oyente de SiriusXM marcando el 1-866-635-2349

Para las suscripciones en Canadá:

- Visite www.siriusxm.ca/activate
- Llame al servicio de atención al cliente de SiriusXM marcando el 1-888-539-7474

Como parte del proceso de activación, los satélites de SiriusXM enviarán un mensaje de activación a su sintonizador. Cuando su radio detecte que el sintonizador ha recibido el mensaje de activación, se mostrará "Subscription Updated".

MENÚ PRINCIPAL DE SIRIUSXM
 Desde este menú se puede acceder a las opciones de operación de SiriusXM. Consulte la tabla siguiente para conocer los ajustes y las funciones disponibles.

1. Presione **BACK/MENU** para acceder al menú SiriusXM: Main Menu.
2. Gire **VOL/SEL** para resaltar uno de los ajustes del menú que aparecen en la tabla siguiente y presione para seleccionarlo.
3. Use **VOL/SEL** para seleccionar.

Ajuste	Función
Now Playing	Regresar a la pantalla de reproducción Now Playing
Browse By Channel	Ver la lista de canales SiriusXM disponibles
Browse By Category	Ver la lista de canales SiriusXM disponibles por categoría
My Account	Ver el estado de su cuenta de SiriusXM, el ID de radio y el comando Reset SiriusXM
Parental Controls	Ajustes para acceder al bloqueo y desbloqueo de canales de SiriusXM
Direct Tune	Permite la entrada para la selección directa de canales

Carátula del álbum

Se puede mostrar la carátula del álbum en la mayoría de los canales de música de SiriusXM. Cuando la carátula del álbum no esté disponible, se mostrará la imagen predeterminada del logotipo del canal o la imagen predeterminada del logotipo de SiriusXM.

Restablecimiento de los ajustes de SiriusXM

Al realizar un restablecimiento, se restablecerán todos los favoritos y ajustes, incluidos los controles parentales, a sus valores predeterminados de fábrica.

1. Presione **BACK/MENU** para acceder al menú SiriusXM: Main Menu.
2. Gire **VOL/SEL** hasta My Account y presione para seleccionarlo.
3. Gire **VOL/SEL** hasta Reset SiriusXM y presione para seleccionarlo.
4. Use **VOL/SEL** para seleccionar **Confirm**.

Sirius, XM y todas las marcas y logotipos relacionados son marcas comerciales de Sirius XM Radio Inc. Todos los derechos reservados.

Una vez suscrito, podrá sintonizar los canales de su plan de suscripción.

Nota: El proceso de activación suele durar entre 10 y 15 minutos, pero puede durar hasta una hora. La radio deberá estar encendida y recibir la señal de SiriusXM para poder recibir el mensaje de activación.

Controles parentales

Algunos canales de SiriusXM tienen contenido para adultos. Si la función de control parental está activada, los canales con contenido para adultos estarán restringidos y será necesario un código de bloqueo de 4 dígitos para acceder a ellos.

Activación de los controles parentales

1. Presione **BACK/MENU** para acceder al menú SiriusXM: Main Menu.
2. Gire **VOL/SEL** hasta Parental Controls y presione para seleccionarlo.
3. Presione **VOL/SEL** para seleccionar **Lock Mature Channels**. A continuación, deberá introducir un código de bloqueo de 4 dígitos para bloquear los canales de contenido para adultos. (Código de bloqueo predeterminado para el control parental: 0000)
4. Use **VOL/SEL** para introducir el código de bloqueo de 4 dígitos y selección **Save** al finalizar.

Cambio del código de bloqueo

1. Presione **BACK/MENU** para acceder al menú SiriusXM: Main Menu.
 2. Gire **VOL/SEL** hasta Parental Controls y presione para seleccionarlo.
 3. Gire **VOL/SEL** hasta Edit Lock Code y presione para seleccionarlo.
 4. Use **VOL/SEL** para introducir el código de bloqueo de 4 dígitos y selección **Enter** al finalizar.
 5. Use **VOL/SEL** para introducir el nuevo código de bloqueo y selección **Enter** para confirmarlo.
- No olvide guardar su código de bloqueo de 4 dígitos para futuras referencias.**

RESOLUCIÓN DE PROBLEMAS CON SIRIUSXM

Pueden aparecer mensajes de aviso en la pantalla cuando un sintonizador SiriusXM-Connect para vehículo está conectado al MMI05. Consulte la tabla siguiente para obtener una explicación y las acciones correctivas sugeridas.

Mensaje de aviso	Descripción
Check Antenna	<ul style="list-style-type: none"> • La radio ha detectado un problema con la antena de SiriusXM. El cable de la antena puede estar desconectado o dañado. • Compruebe que el cable de la antena está conectado al sintonizador del vehículo SiriusXM Connect. • Revise el cable de la antena por si hubiera daños o torceduras. • Sustituya la antena si el cable está dañado. • Los productos SiriusXM están disponibles en su tienda local de equipos de audio o en línea en www.siriusxm.com.
Check Tuner	<p>La radio no puede comunicarse correctamente con el sintonizador del vehículo SiriusXM Connect. El sintonizador podría estar desconectado o dañado.</p> <ul style="list-style-type: none"> • Compruebe que el cable del sintonizador SiriusXM Connect para vehículo esté bien conectado a la radio.
No Signal	<p>El sintonizador SiriusXM Connect para vehículo no puede recibir correctamente la señal satelital de SiriusXM.</p> <ul style="list-style-type: none"> • Compruebe que su vehículo/embarcación se encuentre al aire libre con una visión clara del cielo. • Compruebe que la antena SiriusXM esté montada en el exterior. • Aleje la antena SiriusXM de cualquier obstáculo. • Revise el cable de la antena por si hubiera daños o torceduras. • Consulte el manual de instalación del sintonizador SiriusXM Connect para vehículo para obtener más información sobre la instalación de la antena. Sustituya la antena si el cable está dañado. Los productos SiriusXM están disponibles en su tienda local de equipos de audio o en línea en www.siriusxm.com.
Subscription Updated	<p>La radio ha detectado un cambio en el estado de su suscripción a SiriusXM. Presione VOLSEL para borrar el mensaje.</p> <p>En los EE. UU., visite www.siriusxm.com o llame al 1-866-635-2349 si tiene alguna pregunta acerca de su suscripción.</p> <p>En Canadá, visite www.siriusxm.ca o llame al 1-888-539-7474 si tiene alguna pregunta acerca de su suscripción.</p>
Channel Unavailable	<p>El canal que ha solicitado no es un canal válido de SiriusXM o el canal que estaba escuchando ya no está disponible. También es posible que aparezca este mensaje brevemente al conectar por primera vez un nuevo sintonizador SiriusXM Connect para vehículo.</p> <p>Visite www.siriusxm.com para obtener más información sobre la gama de canales de SiriusXM.</p>
Channel Unsubscribed	<p>El canal que ha solicitado no está incluido en su paquete de suscripción a SiriusXM o el canal que estaba escuchando ya no está incluido en su paquete de suscripción a SiriusXM.</p> <p>En los EE. UU., visite www.siriusxm.com o llame al 1-866-635-2349 si tiene alguna pregunta acerca de su paquete de suscripción o si desea suscribirse a el canal en cuestión.</p> <p>En Canadá, visite www.siriusxm.ca o llame al 1-877-438-9677.</p>
Channel Locked	<p>El canal que ha solicitado está bloqueado por la función de control parental de la radio. Consulte la sección Controles parentales en la página 13 para obtener más información sobre la función de control parental y cómo acceder a los canales bloqueados.</p>

ESPECIFICACIONES

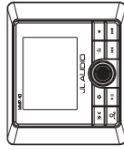
Eléctricas	
Voltaje de funcionamiento	14.4 V _{cc} (10 V-15.9 V)
Rango de temperaturas de funcionamiento	De -20 °C a +70 °C (de -4 °F a +158 °F)
Consumo de corriente/Valor del fusible	1.5 A (máx.)/20 mA (en espera)/5 A
NMEA 2000 [®] LEN	1 (conector Micro-C)
Pantalla/Resolución	Pantalla LCD TFT de 3,5 in retroriluminada, 320 x 480
Salidas/Entradas de audio	
Canales de salida	Un conector RCA de par estéreo y subwoofer mono por zona
Configuración de la salida	Relativa, absoluta, fija o desactivada
Tensión máxima de salida	Relativa o absoluta: 4V RMS Fijas: seleccionable entre 4V/2 V/1 VRMS
Impedancia de salida	250 Ω
Canales de entrada auxiliares	Dos pares de conectores RCA estéreo (sensibilidad de entrada de 2 V/1 VRMS)
Sintonizador	
Sintonizador FM con RDS	De 87.5 MHz a 107.9 MHz (en incrementos de 0.2 MHz)
Sintonizador AM	De 530 kHz a 1710 kHz (en incrementos de 10 kHz)
Sintonizador DAB+	De 170 MHz a 230 MHz
Favorites	24 memorías en todos los sintonizadores/bandas
Bluetooth[®]	
Perfil	A2DP V1.2, AVRCP V1.4
Especificación Core	Versión 2.1 + EDR
Códec	Audio SBC, Qualcomm [™] aptX [™]
Alcances de la conexión	Hasta 35 ft/11 m
USB	
Interfaz	USB 2.0
Salida de carga	USB1: 1 A; USB2: 500 mA
Formatos de audio compatibles	MP3, MP4, WAV, AAC, M4A, M4B iPhone SE (2 ^a generación), iPhone 11 Pro Max, iPhone 11 Pro, iPhone 11, iPhone SE Max, iPhone XS, iPhone XR, iPhone X Plus, iPhone 8 (las funciones dependen de la compatibilidad de la versión de iOS)
Dimensiones	
Unidad (ancho x altura x profundidad)	5,94 in x 3,90 in x 3,94 in (151 mm x 99 mm x 100 mm)
Agujero de montaje (ancho x altura)	4,72 in x 3,25 in (120 mm x 83 mm)

OPCIONES AUXILIARES DE CONTROL

Su MediaMaster® incluye dos tipos de conexión para agregar funciones de control desde ubicaciones auxiliares. Consulte el Manual del propietario suministrado con el control/tipo correspondiente (se vende por separado) para obtener instrucciones específicas de uso e instalación.

Conexión NMEA 2000®

El conector NMEA 2000® Micro-C se conecta directamente con las redes NMEA 2000® utilizando los cables y conectores NMEA 2000® correspondientes (se venden por separado).



MMR-40

Controlador de red NMEA 2000® con pantalla LCD en color

Control con todas las funciones y resistente al agua (clasificación IP66)



MMR-5N2K

Control de volumen NMEA 2000®

Control resistente al agua (clasificación IPX7)



Control de MFD NMEA 2000®

Obtenga funciones de control desde pantallas multifunción (MFD) compatibles. La funcionalidad NMEA 2000® requiere protocolos de entretenimiento NMEA 2000® compatibles (PCN) y puede requerir una actualización del software de los dispositivos MFD conectados. Consulte con el fabricante de su MFD para obtener información sobre la compatibilidad del dispositivo.



MediaMaster® 105

BEDIENUNGSANLEITUNG

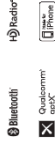
CONEXIÓN REMOTA

Permite conectar directamente controles MediaMaster® por cable (se venden por separado) mediante cables y divisores de control (se venden por separado). Permite agregar hasta tres controles remotos a un solo MediaMaster®, a una distancia máxima de 75 ft (23 m).



MMR-20-BE

Control remoto por cable
Control auxiliar resistente al agua (clasificación IP67)



FCC-KONFORMITÄTSERKLÄRUNG
Dieses Gerät entspricht Teil 15 der FCC-Bestimmungen. Für den Betrieb gelten die folgenden zwei Bedingungen:

(1) Das Gerät darf keine schädlichen Störungen verursachen und (2) das Gerät muss den Empfang von Störungen zulassen, einschließlich von Störungen, die einen unerwünschten Betrieb verursachen können. Diese Anforderungen gewährleisten angemessenen Schutz gegen elektromagnetische Störungen im häuslichen Bereich.

Dieses Gerät erzeugt und verwendet Funkfrequenzenergie und kann diese abstrahlen und kann, falls es nicht in Übereinstimmung mit den Anweisungen installiert wird, Störungen der Funkkommunikation verursachen. Allerdings besteht keine Garantie dafür, dass eine Störung bei einer bestimmten Installation nicht doch auftritt. Falls dieses Gerät Funkstörungen im Radio- oder Fernsehempfang verursacht, versuchen Sie, diese mithilfe einer oder mehrerer der folgenden Maßnahmen zu beheben:

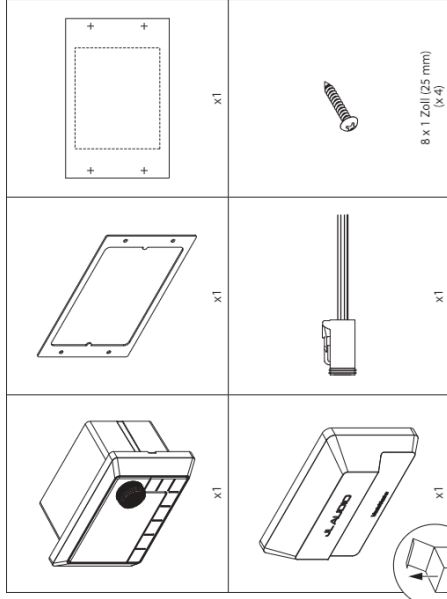
- Empfangsantenne neu ausrichten oder neu positionieren.
 - Abstand zwischen Gerät und Receiver erhöhen.
 - Gerät an einen anderen Stromkreis als den des Receivers anschließen.
 - Hilfe des Händlers oder eines erfahrenen Radio/TV Technikers in Anspruch nehmen.
- Jedliche Änderungen oder Modifikationen, die nicht ausdrücklich von der für die Einhaltung verantwortlichen Partei genehmigt wurden, können zum Erlöschen der Betriebslaubnis für das Gerät führen.

SICHERHEITSAUSSAHMEN

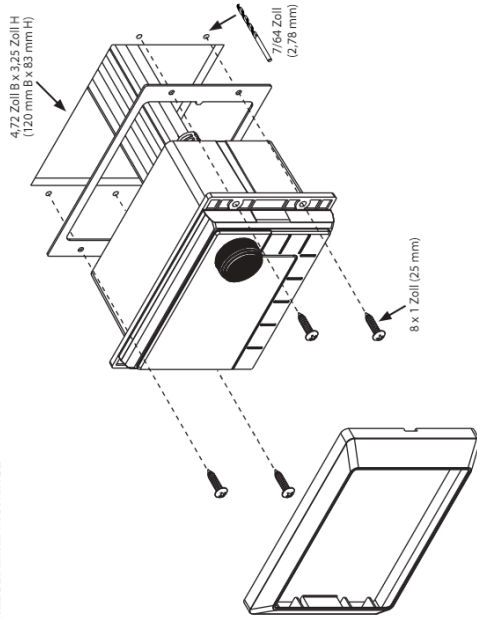
- Verwenden Sie dieses Produkt nur in Fahrzeugen mit 12-Volt-Bordnetz und negativer Masse. Dieses Produkt ist für die Verwendung in Luftfahrzeugen nicht zugelassen.
- Achten Sie auf eine sichere Befestigung dieses Produkts, um Beschädigungen oder Verletzungen bei starkem Seegang zu vermeiden.
- Ersetzen Sie die Sicherung des Stromkabels nicht durch eine Sicherung mit einem anderen Wert. Überbrücken Sie niemals die Sicherung.
- Betreiben Sie Ihr Audiosystem mit einer Lautstärke, die den Umgebungsbedingungen und der Hörsicherheit entspricht.

ÜBERLEGUNGEN ZUR INSTALLATION

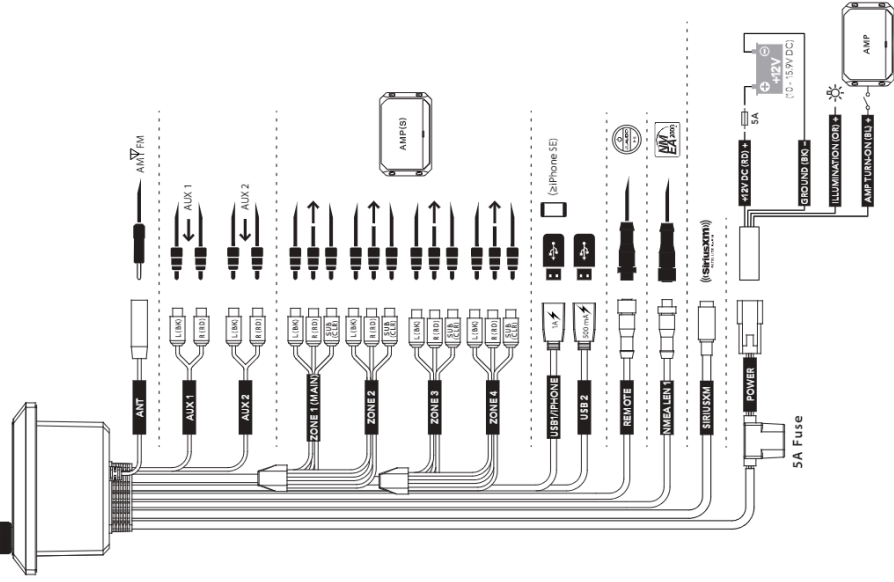
- Die Installation erfordert geeignetes Werkzeug und Sicherheitsausrüstung. Es wird eine Installation durch eine Fachkraft empfohlen.
- Dieses Produkt ist wasserbeständig. Nicht eintauchen oder Hochdruckwasserspray aussetzen.
- Schalten Sie vor der Installation das Audiosystem aus und trennen Sie das Batteriesystem vom Audiosystem.
- Installieren Sie das Gerät an einem trockenen, gut belüfteten Ort, der werkseitig installierte Systeme nicht beeinträchtigt. Wenn die Montage in einem Trockenbereich nicht möglich ist, kann auch ein Ort gewählt werden, der keinem starken Spritzwasser ausgesetzt ist.
- Kontrollieren Sie vor dem Schneiden oder Bohren, ob sich hinter den Montageflächen mögliche Hindernisse befinden.
- Die gesamte Systemverkabelung muss in ausreichendem Abstand an beweglichen Teilen und scharfen Kanten vorbeigeführt werden. Sichern Sie Kabel mit Kabelbindern oder Kabelklemmen und verwenden Sie ggf. Tüllen und Kabelband, um Schutz vor scharfen Kanten zu bieten.

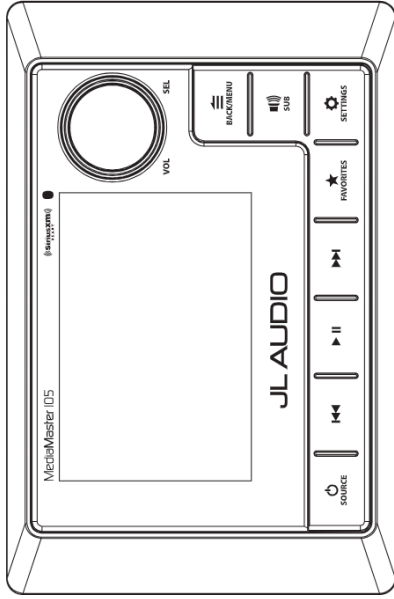


ALLGEMEINE MONTAGE







ALLGEMEINE ANSCHLÜSSE







Bedienelement	Funktion
	<ul style="list-style-type: none"> • Kurz drücken zum EINSCHALTEN; lang drücken zum AUSSCHALTEN • Wenn eingeschaltet, kurz drücken, um das Menü QUELLE:Wählen aufzurufen
	<ul style="list-style-type: none"> • Zum Einstellen der Lautstärke drehen • Zum Navigieren und Auswählen drehen/drücken
	<ul style="list-style-type: none"> • Kurz drücken, um die Einstellungen für den Subwoofer-Pegel aufzurufen
	<ul style="list-style-type: none"> • Kurz drücken, um die Einstellungen für Audiozone: Ton & Balance aufzurufen • Lang drücken, um das Menü Systemeinstellungen: Hauptmenü aufzurufen
	<ul style="list-style-type: none"> • Kurz drücken für Schritt zurück oder für quellen spezifische Menüs
	<ul style="list-style-type: none"> • Kurz drücken, um gespeicherte Sender abzurufen • Lang drücken, um Frequenz als Voreinstellung zu speichern (bis zu 24)
	<ul style="list-style-type: none"> • Kurz drücken, um Audio stummzuschalten/Stummschaltung aufzuheben (AM/FM/SiriusXM/DAB+/AUX1/AUX2) oder Pause/Wiederaufnahme der aktuellen Auswahl (USB1/USB2/Bluetooth) • Wenn der Bildschirm Audio Zone Levels angezeigt wird, drücken Sie diese Taste, um alle Audiosignale stummzuschalten (AM/FM/SiriusXM/DAB+/AUX1/AUX2/USB1/USB2/Bluetooth).
	<ul style="list-style-type: none"> • Sendersuche manuell vorwärts (AM/FM/SiriusXM/DAB+) • Nächsten Titel wählen (USB1/USB2/Bluetooth) <p>Lang drücken, für:</p> <ul style="list-style-type: none"> • Suchlauf zur nächsten Station (FM); Zehn Frequenzschritte vorwärts (AM) • Schnellen Sendersuchlauf vorwärts starten (SiriusXM) • Schneller Vorlauf (USB1/USB2)
	<ul style="list-style-type: none"> • Sendersuche manuell rückwärts (AM/FM/SiriusXM/DAB+) • Vorherigen Titel wählen/neu starten (USB1/USB2/Bluetooth) <p>Lang drücken, für:</p> <ul style="list-style-type: none"> • Suchlauf zur vorherigen Station (FM); Zehn Frequenzschritte zurück (AM) • Schnellen Sendersuchlauf zurück starten (SiriusXM) • Schneller Rücklauf (USB1/USB2)

SYSTEMMENÜ-EINSTELLUNGEN	
	<ul style="list-style-type: none"> Lang drücken, um das Menü Systemeinstellungen: Hauptmenü aufzurufen
	<ul style="list-style-type: none"> Zum Navigieren drehen Zum Auswählen drücken
Einstellung	Funktion
Name this Device	Erstellen Sie einen benutzerdefinierten Namen, der auf verbundenen Bluetooth-Geräten und NMEA 2000®-Netzwerken angezeigt wird
Audio Zone Setup	Konfiguration der einzelnen Audiozonenausgänge
AUX Input Sensitivity	AUX-Eingangsempfindlichkeit einstellen: 2V oder 1V RMS (Standard)
Diagnostic Display	Zeigt Seriennummer, Hardware- und Softwareversion an Konfiguration der Anzeige- und Helligkeitseinstellungen
Low Voltage Alert	Integrierter Alarm meldet, wenn die Versorgungsspannung von +12VDC unter 10 Volt fällt die normale Betriebsspannung wiederhergestellt ist.
Scrolling Text	Ermöglicht fortlaufendes Scrollen von verfügbaren RDS/Titel-Informationen
Tuner Region	Konfiguration des AM/FM-Tunerbereichs/Skala für eine bestimmte Region; DAB+ ersetzt SiriusXM außerhalb von Nordamerika
Power-up Settings	Konfiguration der Display-Aktivierung beim Anschluss an die Stromversorgung

EINSTELLUNGEN FÜR DAS AUDIOZONENMENÜ	
	<ul style="list-style-type: none"> Lang drücken, um das Menü Systemeinstellungen: Hauptmenü aufzurufen
	<ul style="list-style-type: none"> Zum Navigieren drehen Zum Auswählen drücken
Zone	Funktion
	<ul style="list-style-type: none"> Relativ: Verknüpft die Lautstärkepegel der Zonen 2 - 4 mit dem Pegel von Zone 1. (Verknüpfte Zonen folgen proportional der Lautstärke von Zone 1). Der Offset-Pegel jeder Zone ist unabhängig voneinander einstellbar, so dass Sie eine individuelle Pegelregelung einrichten können, die speziell auf das Layout des Schiffes abgestimmt ist. Absolut: Erzeugt eine unabhängige Pegelsteuerung für ausgewählte Zonen, jede mit einem eigenen Regler für die Lautstärke.
Z1: Zone 1 Z2: Zone 2 Z3: Zone 3 Z4: Zone 4	<ul style="list-style-type: none"> 4 V RMS Max (Standard) 2 V RMS Max. 1 V RMS Max.
	<ul style="list-style-type: none"> Aus
	Bug, Brücke, Kabine, Cockpit, Komüse, Steuerstand, Kabine 1, Kabine 2, Turm, Heckspiegel
	Benutzerdefinierter Name
	Werkseinstellung
	Max. Lautstärke
	<ul style="list-style-type: none"> Aus (Standard) 60 Hz 80 Hz 100 Hz
	Sub 1 Sub 2 Sub 3 Sub 4
	Sub Aus
Z2: Zone 2 Z3: Zone 3 Z4: Zone 4	Wie Zone 1
	Unabhängige Klangregelung

BLUETOOTH*-AUDIO

Sie können Audio von einem Bluetooth-kompatiblen Gerät aus einer Entfernung von bis zu 11 m drahtlos streamen. Bis zu 8 Geräte können mit dem MM105 gekoppelt werden, aber nur ein Streaming-Gerät kann sich gleichzeitig verbinden.



BLUETOOTH-MENÜ EINSTELLUNGEN	
	• Wenn Bluetooth als Quelle ausgewählt ist, kurz drücken, um das Bluetooth-Hauptmenü anzuzeigen
	• Zum Navigieren drehen • Zum Auswählen drücken
Einstellung	Funktion
Now Playing	Zurück zum Bildschirm „Aktuelle Wiedergabe“
Pair New Device	Startet den Koppelmodus (verbundene Geräte werden getrennt)
Connect Paired Device	Zeigt alle koppelbaren Geräte an
Set Primary Device	Gekoppeltes Gerät für automatische Verbindung priorisieren
Delete a Paired Device	Gekoppelte Geräte zum Entfernen auswählen
Delete All Paired Devices	Entfernt alle gekoppelten Geräte aus dem Speicher

USB-ANSCHLÜSSE

MM105 verfügt über zwei Anschlüsse für den Anschluss an USB-Datenträger (USB-Stick, digitaler Audio-Player usw.).

USB 1: High-Speed-Anschluss für iPhone®/iPod® (WiFi-zertifiziert) oder USB-Datenträger (1 A Ladeleistung)

USB 2: Full-Speed-Anschluss für USB-Datenträger (500 mA Ladeleistung)

USB-MENÜ-EINSTELLUNGEN	
	• Wenn USB1 oder USB2 als Quelle ausgewählt ist, kurz drücken, um das USB-Hauptmenü anzuzeigen
	• Zum Navigieren drehen • Zum Auswählen drücken
Einstellung	Funktion
Now Playing	Zurück zum Bildschirm „Aktuelle Wiedergabe“
Shuffle	Zufallswiedergabe aktivieren: Ein oder Aus (Standard)
Repeat	Wiederholen aktivieren: Alle, Song oder Aus (Standard)
Playlists	Zeigt Wiedergabelisten in der Medienbibliothek an
Artists	Zeigt Interpreten in der Medienbibliothek an
Songs	Zeigt Titel in der Medienbibliothek an
Albums	Zeigt Alben in der Medienbibliothek an
Genres	Zeigt Genres in der Medienbibliothek an
Composers	Zeigt Komponisten in der Medienbibliothek an

! WICHTIG

- Sichern Sie das angeschlossene Gerät vor Fahrtrtritt ordnungsgemäß, um Schäden durch Herunterfallen oder plötzliches Beschleunigen/Bremsen zu vermeiden.
- Steuerung, Funktionalität und Anzeige können je nach Modell und Version des angeschlossenen iPhone® variieren.
- Stellen Sie bei einer Verbindung über den USB-Anschluss sicher, dass Sie die Bluetooth-Verbindung trennen oder deaktivieren, um mögliche Wiedergabekonflikte zu vermeiden.
- Wenn Sie während des Betriebs eine gestörte Funktion feststellen, trennen Sie das iPhone® und überprüfen Sie dessen Zustand. Starten Sie Ihr iPhone® neu, wenn sich das Problem nicht verbessert.
- „Made for iPhone“ bedeutet, dass elektronisches Zubehör speziell für den Anschluss an ein iPhone®-konzept und vom Entwickler entsprechend dem Leistungsstandard von Apple zertifiziert wurde. Apple ist nicht für die Funktionsfähigkeit dieses Geräts bzw. die Einhaltung von Sicherheitsstandards und gesetzlichen Vorschriften verantwortlich. Bitte beachten Sie, dass die Verwendung dieses Zubehörs mit einem iPhone® die Qualität der drahtlosen Verbindung beeinträchtigen kann.
- iPhone® und alle zugehörigen Marken und Logos sind Marken von Apple Inc., eingetragen in den USA und anderen Ländern.

SIRIUSXM® SATELLITENRADIO

Nur mit SiriusXM® können Sie Ihre Lieblingsmusik an jedem Ort genießen. Empfangen Sie mehr als 140 Kanäle einschließlich werbefreier Musik, Sport- und Nachrichtensendungen, Talkshows, Comedy und Entertainment. Willkommen bei der Welt des Satellitenradios. Ein SiriusXM Vehicle Tuner und ein Abonnement sind dafür notwendig. Weitere Informationen finden Sie unter www.siriusxm.com. (Der SiriusXM-Service ist nur in den kontinentalen USA und Kanada verfügbar).

Aktivieren Ihres SiriusXM-Abonnements

Nachdem Sie Ihren SiriusXM Connect-Tuner und die Antenne installiert haben, schalten Sie das MMI105 ein und wählen Sie den SiriusXM-Modus. Sie sollten den SiriusXM Preview-Kanal auf Kanal 1 hören können. Wenn Sie den Vorschaukanal nicht hören können, überprüfen Sie bitte in der Installationsanleitung, ob Ihr SiriusXM Connect-Tuner richtig installiert ist.

Nachdem Sie festgestellt haben, dass Sie die den Vorschaukanal hören, wählen Sie Kanal 0, um die Radio-ID des Tuners zu suchen. Darüber hinaus befindet sich die Radio-ID auf der Unterseite des SiriusXM Connect Vehicle Tuner und seiner Verpackung. Sie benötigen diese Nummer, um Ihr Abonnement zu aktivieren. Notieren Sie sich die Nummer als Referenz.

Hinweis: Die SiriusXM-Radio-ID enthält

nicht die Buchstaben 1, O, S oder F.

In den USA können Sie online oder telefonisch bei SiriusXM-Listener Care

aktivieren:

• Besuchen Sie

www.siriusxm.com/activatenow

• Rufen Sie SiriusXM Listener Care unter

1-866-635-2349 an

Abonnenten in Kanada wenden sich bitte an:

• Besuchen Sie www.siriusxm.ca/activate

• Rufen Sie die SiriusXM Kundenhotline unter

1-888-539-7474 an

Im Rahmen des Aktivierungsvorgangs sendet das SiriusXM Satelliten eine Aktivierungsnachricht an Ihren Tuner. Wenn Ihr Radio erkennt, dass der Tuner die Aktivierungsnachricht erhalten hat,

SIRIUSXM HAUPTMENÜ

Dies ermöglicht den Zugriff auf die SiriusXM-Betriebsmenüoptionen. Die verfügbaren Einstellungen und Funktionen finden Sie in der folgenden Tabelle.

1. Drücken Sie auf **BACK/MENU**, um das **SiriusXM: Hauptmenü** aufzurufen.
2. Drehen Sie **VOL/SEL** auf eine der in der folgenden Tabelle aufgeführten Menüeinstellungen, und drücken Sie dann auf den Regler.
3. Mit **VOL/SEL** auswählen.

Einstellung	Funktion
Now Playing	Zurück zum Bildschirm „Aktuelle Wiedergabe“
Browse By Channel	Liste der verfügbaren SiriusXM-Kanäle anzeigen
Browse By Category	Liste der verfügbaren SiriusXM-Kanäle nach Kategorie anzeigen
My Account	Anzeigen des SiriusXM-Kontostatus, der Radio-ID und der Option „Reset SiriusXM“
Parental Controls	Einstellungen für den Zugriff auf das Sperren und Entsperren von nicht jugendfreien SiriusXM-Kanälen
Direct Tune	Ermöglicht die Eingabe zur direkten Kanalwahl

Albumcover

Für die meisten SiriusXM-Musikkonsole können Albumcover angezeigt werden. Wenn kein Albumcover verfügbar ist, wird das Standardlogobild des Senders oder das Standardlogobild von SiriusXM angezeigt.

1. Drücken Sie auf **BACK/MENU**, um das **SiriusXM: Hauptmenü** aufzurufen.
2. Drehen Sie **VOL/SEL** auf **My Account** und drücken Sie dann auf den Regler.
3. Drehen Sie **VOL/SEL** auf **Reset SiriusXM** und drücken Sie dann auf den Regler.
4. Wählen Sie **VOL/SEL** mit **Confirm**.

Sirius XM und alle zugehörigen Marken und Logos sind Marken von Sirius XM Radio Inc. Alle Rechte vorbehalten.

Kindersicherung

Einige SiriusXM-Kanäle enthalten nicht jugendfreie Inhalte. Wenn die Kindersicherung aktiviert ist, werden Kanäle mit jugendgefährdenden Inhalten eingeschränkt und erfordern einen 4-stelligen Sperrcode für den Zugriff.

Aktivieren der Kindersicherung

1. Drücken Sie auf **BACK/MENU**, um das **SiriusXM: Hauptmenü** aufzurufen.
2. Drehen Sie **VOL/SEL** auf **Parental Controls** und drücken Sie dann auf den Regler.
3. Drücken Sie **VOL/SEL** und wählen Sie **Lock Mature Channels**. Danach müssen Sie einen vierstelligen Sperrcode eingeben, um Kanäle mit nicht jugendfreien Inhalten zu sperren. (Das anfängliche Kennwort lautet: 0000)
4. Geben Sie mit **VOL/SEL** den 4-stelligen Sperrcode ein und wählen Sie anschließend **Save**.

Ändern des Sperrcodes

1. Drücken Sie auf **BACK/MENU**, um das **SiriusXM: Hauptmenü** aufzurufen.
2. Drehen Sie **VOL/SEL** auf **Parental Controls** und drücken Sie dann auf den Regler.
3. Drehen Sie **VOL/SEL** auf **Edit Lock Code** und drücken Sie dann auf den Regler.
4. Geben Sie mit **VOL/SEL** den aktuellen 4-stelligen Sperrcode ein und wählen Sie anschließend **Enter**.
5. Geben Sie mit **VOL/SEL** den neuen Sperrcode ein und bestätigen Sie mit **Enter**. Notieren Sie sich Ihren 4-stelligen Sperrcode zum späteren Nachschlagen.

SIRIUSXM – FEHLERBEHEBUNG

Wenn ein SiriusXM-Connect Vehicle Tuner an das MM105 angeschlossen ist, werden möglicherweise Warnmeldungen angezeigt, in der nachstehenden Tabelle finden Sie eine Erklärung und Vorschläge für Abhilfemaßnahmen.

Warnmeldung	Beschreibung
Check Antenna	<p>Das Radio hat ein Problem mit der SiriusXM Antenne erkannt. Möglicherweise ist das Antennenkabel beschädigt oder nicht angeschlossen.</p> <ul style="list-style-type: none"> • Stellen Sie sicher, dass das Antennenkabel an den SiriusXM Connect Vehicle Tuner angeschlossen ist. • Untersuchen Sie das Antennenkabel auf Schäden und Knickestellen. Ersetzen Sie die Antenne, wenn das Kabel beschädigt ist. • SiriusXM-Produkte sind bei Ihrem örtlichen Audio-Händler oder online unter www.siriusxm.com erhältlich.
Check Tuner	<p>Bei der Kommunikation zwischen Radio und SiriusXM Connect Vehicle Tuner treten Probleme auf. Möglicherweise ist der Tuner beschädigt oder nicht verbunden.</p> <ul style="list-style-type: none"> • Stellen Sie sicher, dass der SiriusXM Connect Vehicle Tuner ordnungsgemäß an das Radio angeschlossen ist.
No Signal	<p>Der SiriusXM Connect Vehicle Tuner hat Schwierigkeiten mit dem Empfang des SiriusXM Satellitensignals.</p> <ul style="list-style-type: none"> • Stellen Sie sicher, dass sich das Schiff im Freien mit freier Sicht zum Himmel befindet. • Stellen Sie sicher, dass die SiriusXM Antenne auf der Außenseite befestigt ist. • Beseitigen Sie Hindernisse über oder neben der SiriusXM Antenne. • Untersuchen Sie das Antennenkabel auf Schäden und Knickestellen. • Lesen Sie das Installationshandbuch des SiriusXM Connect Vehicle Tuner für weitere Informationen zur Installation der Antenne. Ersetzen Sie die Antenne, wenn das Kabel beschädigt ist. SiriusXM-Produkte sind bei Ihrem örtlichen Audio-Händler oder online unter www.shop.siriusxm.com erhältlich.
Subscription Updated	<p>Das Radio hat erkannt, dass sich der Status Ihres SiriusXM Abonnements geändert hat. Drücken Sie VOL/SEL, um die Nachricht zu löschen. In den USA, besuchen Sie www.siriusxm.com oder rufen Sie die Telefonnummer 1-866-635-2349 an, wenn Sie Fragen zu Ihrem Abonnement haben. In Kanada besuchen Sie www.siriusxm.ca oder rufen Sie die Telefonnummer 1-888-538-7474 an, wenn Sie Fragen zu Ihrem Abonnement haben.</p>
Channel Unavailable	<p>Beim angeforderten Kanal handelt es sich nicht um einen gültigen SiriusXM Kanal, oder der Kanal, den Sie sich angehört haben, ist nicht mehr verfügbar. Diese Meldung wird möglicherweise kurz angezeigt, wenn Sie einen neuen SiriusXM Connect Vehicle Tuner zum ersten Mal anschließen. Rufen Sie www.siriusxm.com auf, um weitere Informationen zur Kanalliste von SiriusXM zu erhalten.</p>
Channel Unsubscribed	<p>Der angeforderte Kanal ist nicht in Ihrem SiriusXM Abonnement enthalten, oder der Kanal, den Sie sich angehört haben, ist nicht mehr in Ihrem SiriusXM Abonnement enthalten. In den USA: Wenn Sie Fragen zu Ihrem Abonnement haben oder den Kanal abonnieren möchten, besuchen Sie die Website www.siriusxm.com oder wenden sich telefonisch an 1-866-635-2349. In Kanada: Besuchen Sie www.siriusxm.ca oder rufen Sie 1-877-438-9677 an.</p>
Channel Locked	<p>Die angeforderte Kanal ist durch die Kindersicherungsfunktion des Radios gesperrt. Weitere Informationen zur Kindersicherungsfunktion und zum Zugriff auf gesperrte Kanäle finden Sie unter Kindersicherung, Seite 13.</p>

TECHNISCHE DATEN

Elektrisch	
Betriebsspannung	14,4 VDC (10 V - 15,9V)
Betriebstemperaturbereich	-20° C bis +70° C
Stromaufnahme / Sicherungswert	1,5 A (max.) / 120 mA (Standby) / 1,5 A
NMEA 2000+ LEN	1 (Micro-C-Anschluss)
Display / Auflösung	3,5 Zoll TFT-LCD-Hintergrundbeleuchtung / 320 x 480
Audio-Ausgänge/Eingänge	
Ausgangskanäle	Ein Stereo-Paar- und Mono-Subwoofer-Einich-Stecker pro Zone
Ausgangs konfigurierung	Relativ, Absolut, Fest oder Aus
Maximale Ausgangsspannung	Relativ oder absolut: 4V RMS Festpegel; Wählbar 4V/2V/1V RMS
Ausgangs impedanz	250.Ω
Zusätzliche Eingangskanäle	Zwei Stereo-paare mit Cinch-Steckern (2 V/1V RMS Eingangsempfindlichkeit)
Radio	
FM-Tuner mit RDS	87,5 MHz bis 107,9 MHz (0,2-MHz-Schritt)
AM-Tuner	530 kHz bis 1710 kHz (10 kHz-Schritt)
DMB+Tuner	170 MHz bis 230 MHz
Favorites	24 Presets für alle Tuner/Bänder
Bluetooth®	
Profil	A2DP v1.2, AVRCP v1.4
Kennspezifikation	Version 2.1 + EDR
Codec	SBC, Qualcomm® aptX™ audio
Verbindungsbereich	Bis zu 11 m
USB	
Schnittstelle	USB 2.0
Ladeausgang	USB1: 1 A / USB2: 500 mA
Unterstützte Audioformate	MP3, MP4, WAV, AAC, iMAA, iM4B
Apple-Kompatibilität	iPhone SE (2. Generation), iPhone 11 Pro Max, iPhone 11 Pro, iPhone 11, iPhone XS Max, iPhone XS, iPhone XR, iPhone X, iPhone 8 Plus, iPhone 8 Funktionalität abhängig von kompatibler iOS-Version)
Abmessungen	
Einheit B x H x T	5,94 x 3,90 x 3,94 Zoll / 151 mm x 99 mm x 100 mm
Montageboch B x H	4,72 Zoll x 3,25 Zoll / 120 mm x 83 mm

ZUSÄTZLICHE STEUERUNGSOPTIONEN

Ihr MediaMaster® verfügt über zwei Anschlusstypen, mit denen Sie die Steuerung von zusätzlichen Standorten aus vornehmen können. Spezifische Benutzer- und Installationsanweisungen finden Sie in der mitgelieferten Bedienungsanleitung des jeweiligen Steuergeräts-Typs (separat erhältlich).

NMEA 2000® Connection

NMEA 2000®, Micro-C-Anschluss lässt sich direkt mit NMEA 2000®-Netzwerken verbinden, indem geeignete NMEA 2000®-Kabel und -Anschlüsse (separat erhältlich) verwendet werden.



MMR-40 NMEA 2000® Netzwerkcontroller mit Vollfarb-LCD-Display
Voll funktionsfähiger, wasserfester (IP66) Controller



MMR-5N2K NMEA 2000® Lautstärkereglер Wasserfester (IPX7) Controller



NMEA 2000® MFD Control

Bietet Steuerungsfunktionen über ein kompatibles Multifunktionsdisplay (MFD). Die NMEA 2000®-Funktionalität erfordert kompatible NMEA 2000®-Unterhaltungsprotokolle (PGN) und möglicherweise ein Software-Upgrade der angeschlossenen MFD-Geräte. Informationen zur Gerätekompatibilität erhalten Sie vom Hersteller Ihres MFD.



MediaMaster® 105

MANUALE DEL PROPRIETARIO



DICHIARAZIONE DI CONFORMITÀ FCC

Il presente dispositivo è conforme con la Parte 15 delle disposizioni FCC. Il funzionamento è soggetto alle seguenti due condizioni:

(1) questo dispositivo non deve causare interferenze nocive e (2) questo dispositivo non deve accettare la ricezione di interferenze, comprese quelle che potrebbero causare un funzionamento indesiderato.

Questi limiti sono stati studiati per fornire una protezione ragionevole contro le interferenze nocive in un'installazione di tipo residenziale.

Quest'apparecchiatura genera, utilizza e può irradiare energia a radiofrequenza e, se non installata in osservanza delle istruzioni, potrebbe provocare interferenze dannose alle comunicazioni radio. Tuttavia, non vi è alcuna garanzia che le interferenze non si verifichino in una particolare installazione. Se la presente apparecchiatura dovesse causare interferenze nocive alla ricezione di radio o televisione, s'incoraggia l'utente a cercare di correggere le interferenze intraprendendo uno o più provvedimenti indicati di seguito:

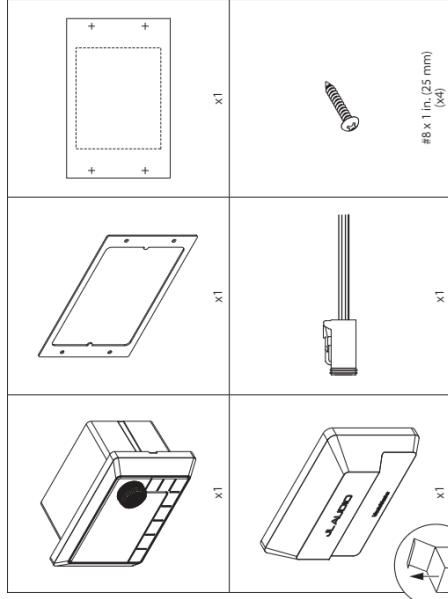
- Orientare nuovamente oppure cambiare posizione dell'antenna ricevente.
 - Aumentare lo spazio divisorio tra l'apparecchiatura e il ricevitore.
 - Collegare l'apparecchiatura a una presa su un circuito diverso da quello a cui è collegato il ricevitore.
 - Rivolgere al rivenditore oppure a un tecnico esperto in materia di radio/TV per richiedere assistenza.
- Eventuali variazioni o modifiche non esplicitamente approvate da parti terze responsabili della conformità potrebbero annullare l'autorità dell'utente a utilizzare quest'apparecchiatura.

CONSIDERAZIONI SULLA SICUREZZA

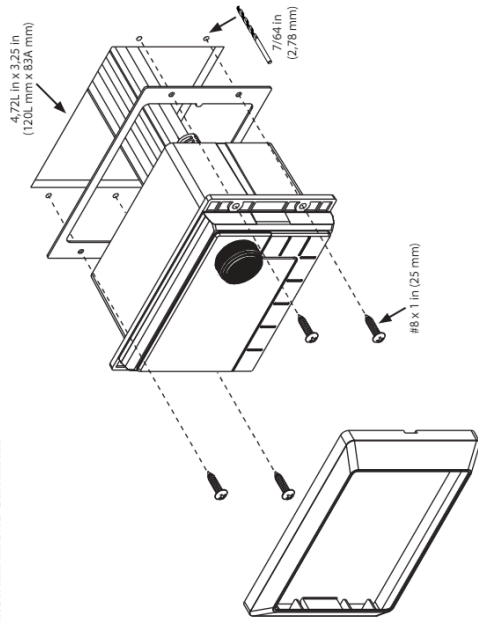
- Utilizzare questo prodotto soltanto in veicoli con impianti elettrici a 12 Volt con sistema di messa a terra negativa. Il presente prodotto non è omologato o approvato per l'utilizzo all'interno di un'automobile.
- Montare il presente prodotto in posizione salda, al fine di evitare danni o lesioni in condizioni avverse.
- Non sostituire il fusibile cablato di alimentazione con uno di valore differente. Non bypassare mai il fusibile.
- Ascoltare l'impianto audio a livelli appropriati per le condizioni di utilizzo e la protezione dell'udito.

CONSIDERAZIONI SULL'INSTALLAZIONE

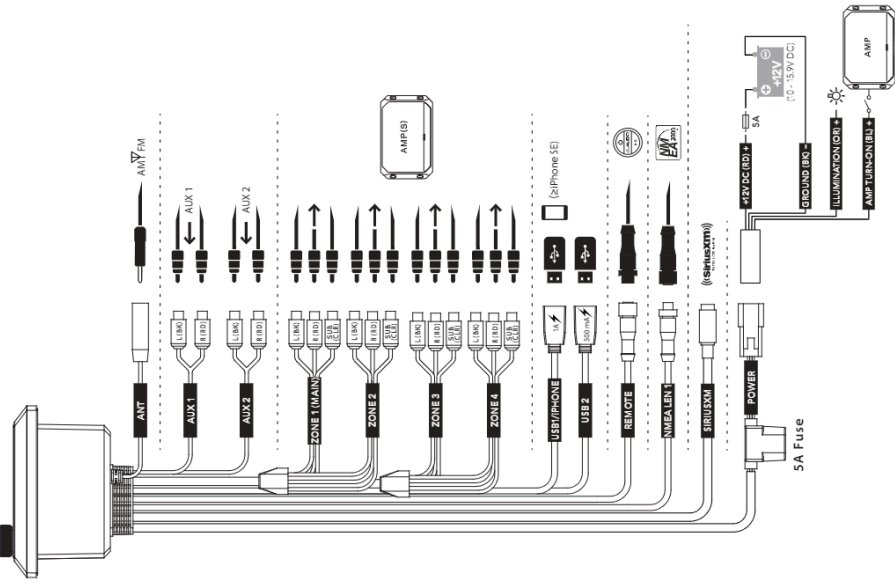
- Per l'installazione, si richiedono strumenti e attrezzature di sicurezza idonei. Si consiglia di far eseguire l'installazione da un professionista.
- Questo prodotto è resistente all'acqua. Non immergere o esporre a getti di acqua ad alta pressione.
- Prima dell'installazione, spegnere l'impianto audio e scollegare l'impianto della batteria dall'impianto audio.
- Installare in una sede al riparo dall'umidità, ben ventilata, che non interferisca con i propri impianti installati di fabbrica. Qualora non sia disponibile un ambiente al riparo dall'umidità, è consentito servirsi di una sede che non sia esposta a schizzi eccessivi.
- Prima di eseguire tagli o perforazioni, verificare la presenza di potenziali ostacoli dietro le superfici di montaggio.
- Con cautela, intradare l'intero cablaggio dell'impianto lontano da parti mobili e bordi affilati; assicurare con fascielli oppure serracci e serviri di occhietti e intelalature, laddove appropriato, per proteggere dai bordi affilati.

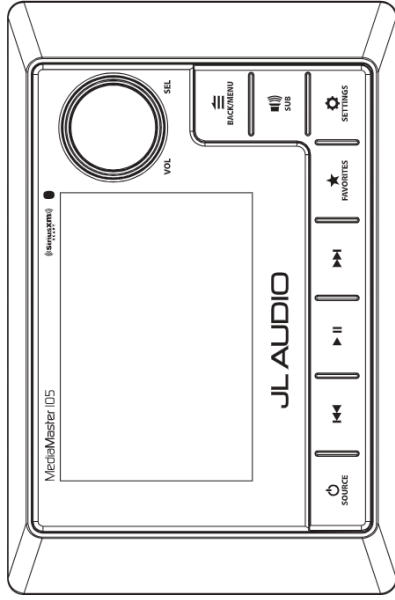


INSTALLAZIONE GENERALE







COLLEGAMENTI GENERALI







Comando		Funzione
	SOURCE Power	<ul style="list-style-type: none"> • Premere brevemente per accendere; premere a lungo per spegnere • Quando acceso, premere brevemente per visualizzare il menu SOURCE>Select
	Volume/ Select	<ul style="list-style-type: none"> • Ruotare per regolare il volume • Ruotare/Premere per navigare ed effettuare selezioni
	SUB	<ul style="list-style-type: none"> • Premere brevemente per accedere alle impostazioni Subwoofer Trim Level
	Settings	<ul style="list-style-type: none"> • Premere brevemente per accedere alle impostazioni Audio Zone: Tone & Balance • Premere a lungo per accedere al menu principale System Settings:
	Back/ Menu	<ul style="list-style-type: none"> • Premere brevemente per eseguire un passaggio indietro oppure accedere ai menu specifici della sorgente
	Favorites	<ul style="list-style-type: none"> • Premere brevemente per accedere alle impostazioni preconfigurate memorizzate • Premere a lungo per memorizzare una frequenza come impostazione preconfigurata (fino a 24)
	Mute/ Pause	<ul style="list-style-type: none"> • Premere brevemente per tacitare/attivare l'audio (AM/FM/SiriusXM/DAB+/AUX1/AUX2) o interrompere/riprescindere la selezione attuale (USB1/USB2/Bluetooth) • Quando è visualizzata la schermata Audio Zone Levels, premere per tacitare tutti gli audio (AM/FM/SiriusXM/DAB+/AUX1/AUX2/USB1/USB2/Bluetooth)
	Forward	<p>Premere brevemente per:</p> <ul style="list-style-type: none"> • Regolare manualmente il sintonizzatore in avanti (AM/FM/SiriusXM/DAB+) • Selezionare il brano successivo (USB1/USB2/Bluetooth) <p>Premere a lungo per:</p> <ul style="list-style-type: none"> • Cercare il canale successivo (FM); Saltare in avanti dieci frequenze (AM) • Avviare la ricerca rapida del canale in avanti (SiriusXM) • Accelerare (USB1/USB2)
	Backward	<p>Premere brevemente per:</p> <ul style="list-style-type: none"> • Regolare manualmente il sintonizzatore indietro (AM/FM/SiriusXM/DAB+) • Riavviare il brano/Selezionare il brano precedente (USB1/USB2/Bluetooth) <p>Premere a lungo per:</p> <ul style="list-style-type: none"> • Cercare il canale precedente (FM); Saltare dieci frequenze indietro (AM) • Avviare la ricerca rapida del canale indietro (SiriusXM) • Riavvolgere rapidamente (USB1/USB2)

IMPOSTAZIONI DEL MENU DI SISTEMA	
	<ul style="list-style-type: none"> • Premere a lungo per accedere al menu principale System Settings:
	<ul style="list-style-type: none"> • Ruotare per navigare • Premere per effettuare una selezione
Impostazione	Funzione
Name this Device	Crea un nome personalizzato da visualizzare sui dispositivi Bluetooth collegati e le reti NMEA 2000*
Audio Zone Setup	Configura ciascuna serie di uscite di zona audio
AUX Input Sensitivity	Configura la sensibilità dell'ingresso AUX: 2 V o 1 V RMS (impostazione predefinita)
Diagnostic	Visualizza il numero di serie, informazioni sulla versione hardware e software
Display	Configura le impostazioni del display e della luminosità
Low Voltage Alert	Aviso integrato che segnala quando la tensione di alimentazione da +12 V CC scende al di sotto di 10 Volt
Scrolling Text	Abilita la consultazione continua delle informazioni di testo di RDS/brano disponibile
Tuner Region	Configura la gamma/scala del sintonizzatore AM/FM per una regione specifica; DAB+ sostituisce SiriusXM al di fuori del Nord America
Power-up Settings	Configura l'attivazione del display al collegamento dell'alimentazione

IMPOSTAZIONI DEL MENU AUDIO			
	<ul style="list-style-type: none"> • Premere a lungo per accedere al menu principale System Settings 		
	<ul style="list-style-type: none"> • Ruotare per navigare • Premere per effettuare una selezione 		
Zona	Funzione	Impostazione 1	Impostazione 2
Z1: Zone 1 Z2: Zone 2 Z3: Zone 3 Z4: Zone 4	Level Control Mode	Relative: C collega i livelli di volume delle Zone 2 - 4 con il livello della Zona 1. (Le zone collegate seguiranno il volume della Zona 1 in maniera proporzionale). Il livello di offset di ciascuna zona può essere regolato indipendentemente, consentendo all'utente di creare un controller di livello personalizzato, specifico per il layout di un'imbarcazione. Absolute: Crea un controllo del livello indipendente per le zone selezionate, ciascuna con il suo cursore separato di livello del volume.	4 V RMS Max (impostazione predefinita) 2 V RMS Max 1 V RMS Max
		Spento	
	Rinomina la zona	Prua, Ponte, Cabina, Sala comandi, Cambusa, Timone, Sala ufficiali 1, Sala ufficiali 2, Torre, Poppa	
		Nome personalizzato	Input alfanumerico
		Impostazione di fabbrica	
	Limite Max Volume	Limite massimo del volume	
	Sub 1 Sub 2 Sub 3 Sub 4	LPF (Filtro passa basso)	Off (impostazione predefinita) 60 Hz 80 Hz 100 Hz
Z2: Zone 2 Z3: Zone 3 Z4: Zone 4	Tone Control Mode	Sub Off	
		Come per la Zona 1	
		Comando indipendente del tono	

BLUETOOTH® AUDIO

È possibile riprodurre l'audio in formato wireless da un dispositivo con compatibilità Bluetooth da una distanza massima di 35 ft. (11 m). È possibile abbinare fino a 8 dispositivi al modello MM105, tuttavia è consentito collegare soltanto un dispositivo di riproduzione alla volta.



IMPOSTAZIONI DEL MENU BLUETOOTH	
 BACK/MENU	<ul style="list-style-type: none">• Con Bluetooth selezionato come sorgente, premere brevemente per visualizzare il menu principale Bluetooth:
	<ul style="list-style-type: none">• Ruotare per navigare• Premere per effettuare una selezione
Impostazione	Funzione
Now Playing	Torna alla schermata della riproduzione attuale
Pair New Device	Avvia la modalità di abbinamento (i dispositivi collegati saranno disconnessi)
Connect Paired Device	Visualizza tutti i dispositivi abbinati per il collegamento
Set Primary Device	Attribuisce priorità al dispositivo abbinato per il collegamento automatico
Delete a Paired Device	Seleziona i dispositivi abbinati da rimuovere
Delete All Paired Devices	Rimuove tutti i dispositivi abbinati dalla memoria

COLLEGAMENTI USB

Il modello MM105 include due porte per collegarsi a dispositivi di archiviazione di Classe USB (penna, dispositivo di riproduzione audio digitale, ecc.).

USB 1: Collegamento ad alta velocità per l'uso con iPhone®/iPod® (Certificazione MFi) o dispositivo di archiviazione USB (uscita di carica da 1 A)

USB 2: Collegamento del dispositivo di archiviazione USB a velocità completa (uscita di carica da 500 mA)

IMPOSTAZIONI DEL MENU USB	
 BACK/MENU	<ul style="list-style-type: none">• Con USB1 o USB2 selezionato come sorgente, premere brevemente per visualizzare il menu principale USB:
	<ul style="list-style-type: none">• Ruotare per navigare• Premere per effettuare una selezione
Impostazione	Funzione
Now Playing	Torna alla schermata della riproduzione attuale
Shuffle	Attiva lo shuffle: Attivo o inattivo (impostazione predefinita)
Repeat	Attiva la ripetizione: tutto, canzone o inattivo (impostazione predefinita)
Playlists	Visualizza le playlist nella libreria
Artists	Visualizza gli artisti nella libreria
Songs	Visualizza le canzoni nella libreria
Albums	Visualizza gli album nella libreria
Genres	Visualizza i generi nella libreria
Composers	Visualizza i compositori nella libreria

! IMPORTANTE

- Assicurare correttamente il dispositivo collegato prima di mettersi alla guida, al fine di prevenire eventuali danni dovuti alla caduta oppure ad accelerazione/frenata brusca.
- I comandi, le funzioni e il display potrebbero variare in base al modello e alla versione dell'iPhone® collegato.
- Quando collegato tramite la porta USB, accertarsi di scollegare o disabilitare il collegamento Bluetooth per evitare eventuali conflitti di riproduzione.
- Se si percepisce una prestazione anomala durante il funzionamento, scollegare l'iPhone® e verificarne le condizioni. Riattivare il proprio iPhone® se le prestazioni non migliorano.
- Con "Made for iPhone" s'intende un accessorio elettronico che è stato progettato appositamente per un iPhone® ed è stato certificato dal progettista al fine di soddisfare gli standard di prestazione di Apple. Apple non si assume la responsabilità del funzionamento di questo dispositivo o della sua conformità con gli standard di sicurezza e normativi. Si prega di notare che l'utilizzo di questo accessorio con un iPhone® potrebbe influire sulle prestazioni wireless.
- iPhone® e tutti i relativi marchi e loghi sono marchi commerciali di Apple Inc., registrati negli Stati Uniti e altri paesi.

RADIO SATELLITARE SIRIUSXM®

Soltanto SiriusXM® offre il massimo di ciò che si desidera ascoltare, in un'unica occasione. Consente di accedere a oltre 140 canali, che offrono musica senza interruzioni pubblicitarie e il meglio in termini di sport, notizie, talk-show, commedie e intrattenimento. Benvenuti nel mondo della radio satellitare. Sono richiesti un sintonizzatore per veicoli SiriusXM e l'abbonamento. Per maggiori informazioni, visitare www.siriusxm.com. Il servizio SiriusXM è disponibile esclusivamente negli stati continentali degli Stati Uniti e in Canada.)

Attivazione dell'abbonamento SiriusXM

Dopo aver installato il sintonizzatore SiriusXM Connect e l'antenna, attivare il modello MM105 e selezionare la modalità SiriusXM. Si dovrebbe udire il canale di antepiroma SiriusXM sul canale 1. Se non si riesce a sentire il canale di antepiroma, verificare le istruzioni d'installazione per accertarsi che il proprio sintonizzatore SiriusXM Connect sia stato installato correttamente.

Dopo aver udito il canale di antepiroma, sintonizzarsi sul canale 0 per trovare l'ID Radio del proprio sintonizzatore. Inoltre, l'ID Radio si trova nella parte inferiore del sintonizzatore per veicoli SiriusXM Connect e sulla sua confezione. Questo numero sarà necessario per attivare il proprio abbonamento. Prendere nota del numero per la consultazione. Nota: l'ID Radio di SiriusXM non include le lettere I, O, S oppure F.

Negli Stati Uniti, è possibile eseguire l'attivazione online oppure contattando il numero di assistenza clienti SiriusXM:

- Visitare www.siriusxm.com/activation
- Chiamare l'assistenza clienti SiriusXM al 1-866-635-2349

Per gli abbonamenti in Canada, si prega di contattare:

- Visitare www.siriusxm.ca/activate
- Chiamare l'assistenza clienti SiriusXM al 1-888-539-7474

Come parte integrante del processo di attivazione, i satelliti di SiriusXM invieranno un messaggio di attivazione al proprio sintonizzatore. Quando la radio rileva che il sintonizzatore ha ricevuto il messaggio di attivazione, la radio mostrerà:

"Subscription Updated". Una volta abbonati, sarà possibile sintonizzarsi sui canali del proprio piano di abbonamento.

Nota: Generalmente, il processo di attivazione richiede da 10 a 15 minuti, ma può richiedere fino a un'ora. La propria radio dovrà essere accesa e ricevere il segnale di SiriusXM per ricevere il messaggio di attivazione.

Controllo genitori

Alcuni canali SiriusXM hanno contenuti destinati a un pubblico adulto. Quando si abilita la funzione di controllo genitori, i canali con contenuti destinati a un pubblico adulto saranno vietati e per potervi accedere sarà necessario un codice di blocco a 4 cifre.

Abilitazione del controllo genitori

1. Premere **BACK/MENU** per accedere al menu principale di SiriusXM.
2. Ruotare **VOL/SEL** per passare a **Parental Controls** e premere per accedervi.
3. Premere **VOL/SEL** per selezionare **Lock Mature Channels**. Successivamente, si dovrà inserire un codice di blocco a 4 cifre per bloccare i canali con contenuti destinati a un pubblico adulto. (Codice di accesso predefinito al controllo genitori: 0000)
4. Usare **VOL/SEL** per digitare il codice di blocco a 4 cifre e selezionare **Save** una volta terminato.

Modifica del codice di blocco

1. Premere **BACK/MENU** per accedere al menu principale di SiriusXM.
 2. Ruotare **VOL/SEL** per passare a **Parental Controls** e premere per accedervi.
 3. Ruotare **VOL/SEL** per passare a **Edit Lock Code** e premere per accedervi.
 4. Usare **VOL/SEL** per digitare l'attuale codice di blocco a 4 cifre e selezionare **Save** una volta terminato.
 5. Usare **VOL/SEL** per digitare il nuovo codice di blocco e selezionare **Enter** per confermare.
- Accertarsi di aver salvato il proprio codice di blocco a 4 cifre per la consultazione futura.**

MENU PRINCIPALE SIRIUSXM

Questo consente di accedere alle opzioni operative del menu SiriusXM. Consultare la tabella sottostante per le impostazioni disponibili e la funzione.

1. Premere **BACK/MENU** per accedere al menu principale di SiriusXM.
2. Ruotare **VOL/SEL** per evidenziare una delle impostazioni del menu elencate nella tabella sottostante e premere per accedervi.
3. Usare **VOL/SEL** per effettuare le selezioni.

Impostazione	Funzione
Now Playing	Torna alla schermata della riproduzione attuale
Browse By Channel	Visualizza l'elenco dei canali SiriusXM disponibili
Browse By Category	Visualizza l'elenco dei canali SiriusXM disponibili per categoria
My Account	Visualizza lo stato del proprio account SiriusXM, l'ID Radio e il comando di ripristino di SiriusXM
Parental Controls	Impostazioni di accesso per bloccare e sbloccare i canali SiriusXM destinati a un pubblico adulto
Direct Tune	Consente di inserire la selezione diretta dei canali

Immagine dell'album

È possibile visualizzare l'immagine dell'album la maggior parte dei canali musicali di SiriusXM. Se l'immagine dell'album non è disponibile, sarà mostrata l'immagine con logo predefinito del canale oppure l'immagine del logo predefinito di SiriusXM.

Ripristino delle impostazioni di SiriusXM

Un reset consentirà di ripristinare tutte le impostazioni preconfigurate, tra cui il controllo genitori e tornare alle impostazioni di fabbrica.

1. Premere **BACK/MENU** per accedere al menu principale di SiriusXM.
2. Ruotare **VOL/SEL** per passare a **My Account** e premere per accedervi.
3. Ruotare **VOL/SEL** per passare a **Reset SiriusXM** e premere per accedervi.
4. Usare **VOL/SEL** per selezionare **Confirm**.

Sirius, XM e tutti i marchi e loghi associati sono marchi commerciali di Sirius XM Radio Inc. Tutti i diritti riservati.

RISOLUZIONE DEI PROBLEMI DI SIRIUSXM

I messaggi di suggerimento sono visualizzati sul display quando un sintonizzatore per veicoli SiriusXM-Connect è collegato al MMI05. Consultare la tabella sottostante per una spiegazione e le azioni correttive suggerite.

Messaggio di suggerimento	Descrizione
Check Antenna	<p>La radio ha rilevato un'anomalia con l'antenna di SiriusXM. Il cavo dell'antenna potrebbe essere scollegato o danneggiato.</p> <ul style="list-style-type: none"> Verificare che il cavo dell'antenna sia collegato al sintonizzatore per veicoli SiriusXM Connect. Ispezionare il cavo dell'antenna per individuare eventuali danni o plegamenti. Sostituire l'antenna se il cavo è danneggiato. I prodotti SiriusXM sono disponibili presso il proprio rivenditore locale o online al sito www.shopsiriusxm.com. <p>La radio ha difficoltà di comunicazione con il sintonizzatore per veicoli SiriusXM Connect. Il sintonizzatore potrebbe essere scollegato o danneggiato.</p> <ul style="list-style-type: none"> Verificare che il sintonizzatore per veicoli SiriusXM Connect sia collegato saldamente alla radio.
Check Tuner	<p>Il sintonizzatore per veicoli SiriusXM Connect presenta difficoltà di ricezione del segnale satellitare di SiriusXM.</p> <ul style="list-style-type: none"> Verificare che il proprio veicolo/imbarcazione sia all'esterno con una visuale chiara del cielo. Allontanare l'antenna di SiriusXM da qualsiasi ostacolo. Verificare che l'antenna di SiriusXM sia montata all'esterno. Allontanare l'antenna di SiriusXM da qualsiasi ostacolo. Ispezionare il cavo dell'antenna per individuare eventuali danni o plegamenti. Consultare il manuale per l'installazione del sintonizzatore per veicoli SiriusXM Connect per maggiori informazioni sull'installazione dell'antenna. Sostituire l'antenna se il cavo è danneggiato. I prodotti SiriusXM sono disponibili presso il proprio rivenditore audio locale o online al sito www.shopsiriusxm.com.
No Signal	<p>La radio ha individuato una variazione nello stato del proprio abbonamento di SiriusXM. Premere VOLUME per eliminare il messaggio.</p> <p>Negli Stati Uniti, visitare www.siriusxm.com o chiamare 1-866-635-2349 se si hanno domande relative al proprio abbonamento.</p> <p>In Canada, visitare www.siriusxm.ca o chiamare 1-888-539-7474 se si hanno domande relative al proprio abbonamento.</p>
Subscription Updated	<p>Il canale richiesto non è un canale valido SiriusXM oppure il canale che si stava ascoltando non è più disponibile. Questo messaggio può essere brevemente visualizzato quando si collega un nuovo sintonizzatore per veicoli SiriusXM Connect per la prima volta. Visitare www.siriusxm.com per maggiori informazioni sui canali disponibili di SiriusXM.</p> <p>Il canale richiesto non è incluso nel pacchetto del proprio abbonamento SiriusXM oppure il canale che si stava ascoltando non è più incluso nel pacchetto del proprio abbonamento SiriusXM.</p> <p>Negli Stati Uniti, visitare www.siriusxm.com o chiamare 1-866-635-2349 se si hanno domande relative al proprio pacchetto dell'abbonamento oppure si desidera abbonarsi a questo canale. In Canada, visitare www.siriusxm.ca o chiamare 1-877-438-9677.</p>
Channel Unavailable	<p>Il canale richiesto è bloccato dalla funzione di controllo genitori. Consultare la sezione dedicata al controllo genitori a pagina 13 per maggiori informazioni sulla funzione di controllo genitori e come accedere ai canali bloccati.</p>
Channel Locked	

SPECIFICHE

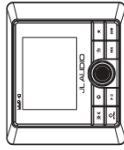
Elettriche	
Tensione operativa	14,4 VCC (10V – 15,5V)
Intervallo della temperatura operativa	Da -4 °F a +158 °F (da -20 °C a +70 °C)
Corrente assorbita / Valore del fusibile	1,5 A (max) / 120 mA (standby) / 5 A
NMEA 2000* LEN	1 (connettore micro-C)
Display / Risoluzione	3,5 in. LCD TFT con retroilluminazione / 320 x 480
Uscite/Ingressi audio	
Canali di uscita	Un connettore maschio RCA stereo in coppia e mono subwoofer per zona
Configurazione dell'uscita	Relativa, Assoluta, Fissa o Disattivata
Tensione di uscita massima	Relativa o Assoluta: 4V RMS Fissa: 4V2 / 1V RMS selezionabili
Impedenza di uscita	250 Ω
Canali di ingresso ausiliari	Due coppie stereo di connettori maschio RCA (sensibilità di ingresso 2 V / 1V RMS)
Sintonizzatore	
Sintonizzatore FM con RDS	Da 87,5 MHz a 107,9 MHz (incremento di 0,2 MHz)
Sintonizzatore AM	Da 530 kHz a 1710 kHz (incremento di 10 KHz)
Sintonizzatore DAB+	Da 170 MHz a 230 MHz
Favoriti	24 Impostazioni preconfigurate su tutti i sintonizzatori/le bande
Bluetooth*	
Profilo	A2DP V1.2, AVRCP V1.4
Specifica del core	Versione 2.1 + EDR
Codec	SBC, Qualcomm aptX™ audio
Intervallo di connessione	Fino a 35 ft. / 11 m
USB	
Interfacchi	USB 2.0
Uscita di carica	USB1: 1 A / USB2: 500 mA
Formati audio supportati	MP3, MP4, WAV, AAC, M4A, M4B <small>(iPhone SE (2a generazione), iPhone 11 Pro Max, iPhone 11 Pro, iPhone 11, iPhone XS Max, iPhone XS, iPhone XR, iPhone X, iPhone 8 Plus, iPhone 8 funzionalità in base alla versione iOS)</small>
Compatibilità Apple	Compatibilità Apple
Dimensioni	
L X A x P dell'unità	5,94 in. x 3,90 in. x 3,94 in. (151 mm x 99 mm x 100 mm)
L X A del foro di montaggio	4,72 in. x 3,25 in. (120 mm x 83 mm)

OPZIONI DI CONTROLLO AUSILIARIO

Il proprio MediaMaster® include due tipologie di collegamento per aggiungere capacità di controllo da sedi ausiliarie. Consultare il Manuale del proprietario in dotazione con ciascun controller/tipologia (venduto separatamente) per istruzioni specifiche per l'utente e l'installazione.

Collegamento NMEA 2000*

NMEA 2000*, il connettore micro-C s'interfaccia direttamente con le reti NMEA 2000* impiegando cavi e connettori NMEA 2000* applicabili (venduti separatamente).



MMR-40

Controller di rete NMEA 2000* con display LCD a pieni colori

Controller con funzioni complete, resistente all'acqua (classe di protezione nominale IP66)



MMR-20-BE

Controller remoto cablato

Controller ausiliario, resistente all'acqua (classe di protezione nominale IP67)



MMR-5N2K

Controller del volume NMEA 2000*

Controller ausiliario, resistente all'acqua (classe di protezione nominale IPX7)



NMEA 2000* Controllo MFD

Abilita possibilità di controllo da display multifunzione compatibili (MFD). La funzione NMEA 2000* richiede protocolli di intrattenimento NMEA 2000* compatibili (PGN) e potrebbe richiedere un aggiornamento software dei dispositivi MFD collegati. Rivolgersi al costruttore del proprio MFD per informazioni sulla compatibilità del dispositivo.

COLLEGAMENTO remoto

Permette il collegamento diretto di controller cablati MediaMaster® (venduti separatamente) impiegando cavi di controllo accessori e splitter (venduti separatamente). Aggiunge fino a tre telecomandi a un unico MediaMaster®, a una distanza massima di 75 ft (23 m).

