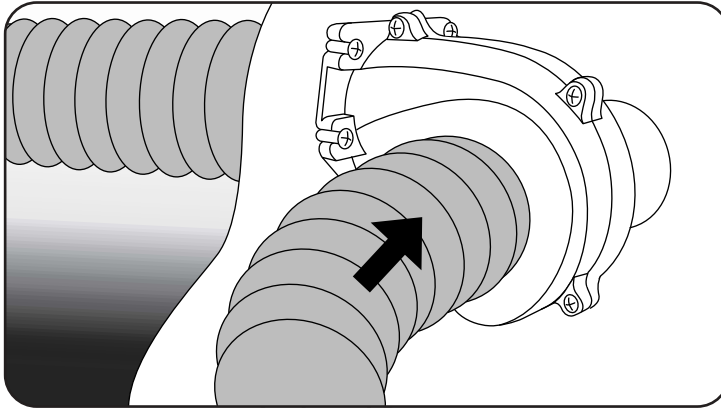




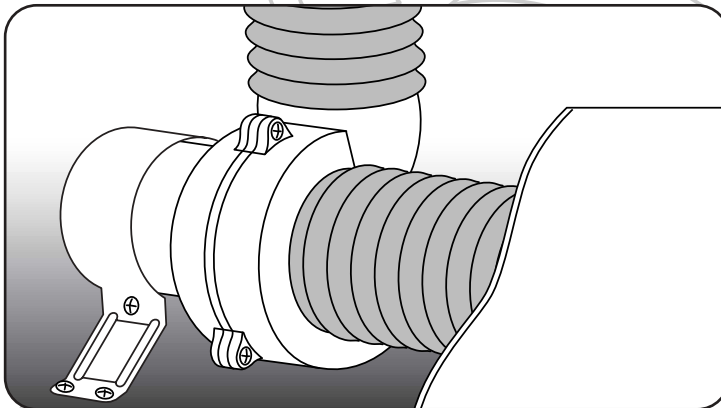
Jabsco DC blowers are designed to remove fumes from the engine compartments of gasoline powered boats prior to start-up and therefore conform to ISO 8846 MARINE and USCG Regulations for ignition protection. They are listed as N.M.M.A. type accepted and comply with ISO 9097 MARINE and are CE marked. AC models are **not** ignition protected.

Jabsco blowers can also be used for air intake or extraction in galleys, bilges, accommodation and head compartments. Only the heavy duty blowers are designed for continuous duty operation in commercial or heavy use applications. Blowers should not be installed close to sources of direct heat exceeding 180°F (55°C).



Flangemount Blowers

Flangemount Blowers are of a radial design which gives the highest output in more complex installations with longer ducting lengths and/or multiple bends in the ducting. They are generally mounted directly onto a flat bulkhead using a mounting collar to connect to the discharge ducting. This allows a very neat installation on an engine room bulkhead.



Flexmount Blowers

Flexmount Blowers are also of radial design but are installed by attaching a mounting collar around the motor (which is supplied with the blower) to any convenient solid surface. They can be rotated inside the collar to allow the shortest ducting lengths and most convenient routings in confined spaces. Both ports are designed for slip-on flexible ducting connections.

Blower Selection Guide

Engine Compartment Volume	Ducting Size	Type	Voltage	Blower Model
0-2m ³ (0-75ft ³)	3" (75mm)	Flangemount	12v	35115-0020
	3" (75mm)	Flexmount	12v	35515-0010
2-2.5m ³ (75-90ft ³)	3" (75mm)	Flangemount	12v	34739-0010
	3" (75mm)	Flangemount	24v	34739-0020
	3" (75mm)	Flexmount	12v	36740-0000
	3" (75mm)	Flexmount	12v	36740-0010
2.5-5m ³ (90-220ft ³)	4" (100mm)	Flangemount	12v	35400-0000
	4" (100mm)	Flangemount	24v	35400-0010
	4" (100mm)	Flexmount	12v	35440-0000
	4" (100mm)	Flexmount	24v	35440-0010
	4" (100mm)	dc Flangemount Heavy Duty	12v	35760-0092
	4" (100mm)	dc Flangemount Heavy Duty	24v	35760-0094
	4" (100mm)	dc Flexmount Heavy Duty	12v	35770-0092
	4" (100mm)	dc Flexmount Heavy Duty	24v	35770-0094

This guide is based on International Standard ISO 11105 Small craft - Ventilation of gasoline engine and/or gasoline tank compartments which specifies minimum airflow for given engine compartment size.



Heavy Duty Flangemount Blowers

Heavy Duty Blowers are designed for applications such as commercial or high use engine room ventilation and extraction where a long life requirement demands heavy duty motors with long brush life. Built to provide the same high outputs as our standard specification blowers.

- 5,000 hr motor life for the heaviest of applications.
- Continuous duty.
- Efficient high volume air flow.
- Outlet flange mounts directly on bulkhead.
- Slip on inlet ducting connection.
- Low current draw.
- Corrosion resistant materials throughout.
- Dimensionally stable quiet running Delrin rotors.

- Complies with USCG 183.410 and ISO 8846 MARINE (Ignition Protection) - dc only.

- ISO 9097 MARINE (Electric Fans).

Fitting: 4" (100mm) ducting.

Size: 9 1/2" long x 8 3/4" wide x 9" high (24cm x 22cm x 23cm).

Weight: 6lb (2.7kg) dc
8lb (3.6kg) AC

For 250cfm (7.1m³/min) output - 12, 24, 115V.

35760-0092 12 Volt dc Flangemount, fuse 15 amps.

35760-0094 24 Volt dc Flangemount, fuse 10 amps.

36760-0115* 115 Volt AC 60Hz Flangemount, fuse 2 amps.

***Not available in Europe**



Heavy Duty Flexmount Blowers

Flexmount Blowers are built to the same high specification as the Heavy Duty Flangemount Blowers for use as air intake or extraction systems in engine rooms, fuel compartments, galleys or heads.

- 5,000 hr motor life for the heaviest of applications.
- Continuous duty.
- Efficient high volume air flow.
- Flex mounting for 360° adjustable outlet.
- Slip on inlet ducting connections.
- Low current draw.
- Corrosion resistant materials throughout.
- Dimensionally stable quiet running Delrin rotors.

- Complies with USCG 183.410 and ISO 8846 MARINE (Ignition Protection) - dc only.

- ISO 9097 MARINE (Electric Fans).

Fitting: 4" (100mm) ducting.

Size: 9" long x 9 1/2" wide x 9 3/4" high (23cm x 24cm x 25cm).

Weight: 7lb (3.2kg) dc
9lb (4.1kg) AC

For 250cfm (7.1m³/min) output - 12, 24, 115V.

35770-0092 12 Volt dc Flexmount, fuse 15 amps.

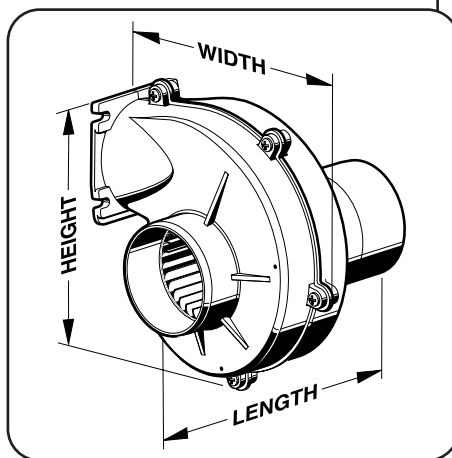
35770-0094 24 Volt dc Flexmount, fuse 10 amps.

36770-0115* 115 Volt AC 60Hz Flexmount, fuse 2 amps.

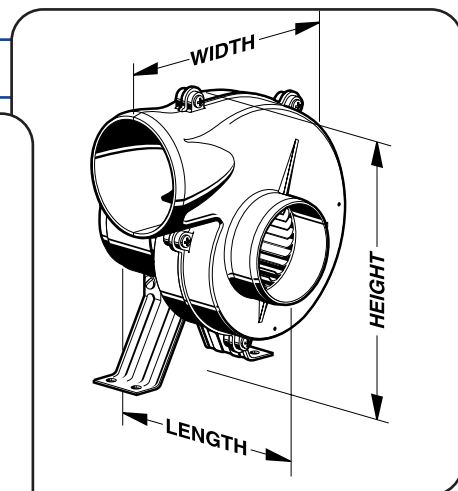
***Not available in Europe**



Sizing Definitions



Flangemount



Flexmount



Ventilation Blowers - Radial Blowers



Flangemount Blowers

Range of high volume air intake or extraction blowers for engine room, fuel compartment, galley or heads.

- Outlet flange mounts directly on bulkhead.
- Slip-on inlet ducting connection.
- Low current draw.
- Dimensionally stable quiet running Delrin rotors.
- Corrosion resistant materials throughout.
- Complies with USCG 183.410 and ISO 8846 MARINE (Ignition Protection).
- ISO 9097 MARINE (Electric Fans).

For 105cfm (3m³/min) output.

Fitting: 3" (75mm) ducting.

Size: 6³/₄" long x 4³/₄" wide x 5¹/₂" high (17cm x 12cm x 14cm).

Weight: 4lb (1.8kg).

35115-0020 12 Volt dc Flangemount, fuse 6 amp.

For 150cfm (4.2m³/min) output.

Fitting: 3" (75mm) ducting.

Size: 8" long x 6³/₄" wide x 7³/₄" high (20cm x 17cm x 20cm).

Weight: 5lb (2.3kg).

34739-0010 12 Volt dc Flangemount, fuse 10 amp.

34739-0020 24 Volt dc Flangemount, fuse 5 amp.

For 250cfm (7.1m³/min) output.

Fitting: 4" (100mm) ducting.

Size: 8³/₄" long x 8³/₄" wide x 9" high (22cm x 22cm x 23cm).

Weight: 6lb (2.7kg).

35400-0000 12 Volt dc Flangemount, fuse 15 amp.

35400-0010 24 Volt dc Flangemount, fuse 7.5 amp.



Flexmount Blowers

Range of high volume air intake or extraction blowers for engine room, fuel compartment, galley or heads.

- Flexmounting for 360° adjustable outlet.
- Slip-on inlet and outlet ducting connections.
- Low current draw.
- Dimensionally stable, quiet running Delrin rotors.
- Corrosion resistant materials throughout.
- Complies with USCG 183.410 and ISO 8846 MARINE (Ignition Protection).
- ISO 9097 MARINE (Electric Fans).

For 105cfm (3m³/min) output.

Fitting: 3" (75mm) ducting.

Size: 6³/₄" long x 5" wide x 5¹/₂" high (17cm x 13cm x 14cm).

Weight: 3¹/₂lb (1.6kg).

35515-0010 12 Volt dc Flexmount, fuse 6 amp.

For 140cfm (4.0m³/min) output.

Fitting: 3" (75mm) ducting.

Size: 8¹/₄" long x 7³/₄" wide x 9" high (21cm x 20cm x 23cm).

Weight: 5lb (2.3 kg).

36740-0031 115 Volt AC Flexmount, fuse 1.25 amp.

For 150cfm (4.2m³/min) output.

Fitting: 3" (75mm) ducting.

Size: 8" long x 8¹/₄" wide x 9" high (20cm x 21cm x 23cm).

Weight: 5¹/₂lb (2.5kg).

36740-0000 12 Volt dc Flexmount, fuse 10 amp.

36740-0010 24 Volt dc Flexmount, fuse 5 amp.

For 250cfm (7.1m³/min) output.

Fitting: 4" (100mm) ducting.

Size: 9⁷/₈" long x 9³/₁₆" wide x 9⁷/₈" high (23.2cm x 23.4cm x 24.5cm).

Weight: 7lb (3.2kg).

35440-0000 12 Volt dc Flexmount, fuse 15 amp.

35440-0010 24 Volt dc Flexmount, fuse 7.5 amp.

