


## OVERVIEW

Following are instructions for the in-dash mount installation of the APEX control head. We encourage you to read this guide before starting the installation, so you may understand the installation requirements.

**Technical Support:** If you find that any items are missing from your installation kit, visit our Web site at [humminbird.com](http://humminbird.com) or contact Humminbird Technical Support through our Help Center at <https://humminbird-help.johnsonoutdoors.com/hc/en-us>.

**Supplies:** In addition to the hardware supplied with your accessory, you will need a drill and various drill bits, a cutting tool for the dashboard material, various hand tools (including a 3/16" [4.78 mm] adjustable wrench and a #2 Phillips screwdriver for the front mount option or a 7/16" [11 mm] adjustable wrench for the rear mount option), safety glasses and dust mask, masking tape, and a towel or cloth.


 **WARNING!** Do NOT use power tools to secure the hardware. We encourage you to read the installation instructions so you may understand the installation requirements.

 **NOTE:** Product supplies and features are subject to change without notice.

## 1 | Plan the Mounting Location

Start by locating a suitable, flat area of the dashboard for mounting. Consider the following to find the best mounting location:

- **Interference:** The mounting location must provide adequate distance from electric motors or any equipment that may cause electronic interference.
- **Stability:** The mounting area should be protected from waves, shock, vibration, and water.
- **Depth:** The mounting area should have a depth of 4" [102 mm] for the front-mount installation and 5.5" [139.7 mm] for the rear-mount installation to allow space for the control head and cables.
- **Ventilation:** The area beneath the mounting surface should be well-ventilated.
- **Accessibility:** The location should be easily accessible for all cables to reach the ports on the back of the control head.
- **Multiple Control Heads:** If you plan to install more than one control head side by side, leave a minimum space of 1 7/16" [36.2 mm] between mounting holes. This will allow for 1/4" [7 mm] between control heads with the covers installed and space for the bracket under the dashboard. Take your measurement from the front, left or right side of the control head cut line. **See the template for more information.**

 **NOTE:** If a cable is too short for your application, extension cables are available. For assistance, contact Humminbird Technical Support.

## 2 | Cut the In-Dash Mounting Hole

To in-dash mount the APEX control head, start by placing the components on the surfaces where you intend to install them.

1. Review the instructions, measurements, and cutting options indicated on the In-dash Mounting Template.
2. Tape the template to the chosen in-dash mounting location.
3. Using the template, select the cutting method that is best for your boat:
  - Drill one entry hole away from the main cut line that is large enough to insert the blade of your cutting tool.**OR**
  - Using a 7/16" drill bit, drill the 4 corner holes (inside the main cut line) as shown on the template. Use one of the corner holes as an entry hole, or drill an additional entry hole away from the main cut line.

**APEX™ SERIES IN-DASH MOUNTING Installation Guide**

532752-1\_B

4. Carefully begin cutting toward the cut line, and continue cutting to the **inside of the line** around the template.
5. **Test the Mounting Hole:** Install the control head in the mounting hole to test the fit. Make adjustments to the mounting hole as needed. Remove the template when finished.
6. Thoroughly clean and deburr the mounting hole.

**3 | Install the Control Head**

Follow the instructions in this section based on whether you are going to complete a front mount or rear mount installation.

**Front Mount Installation**

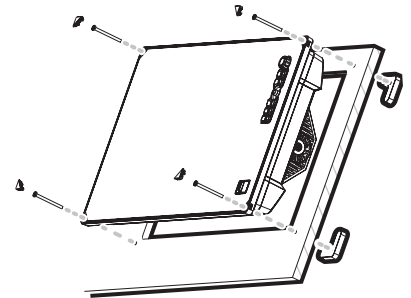
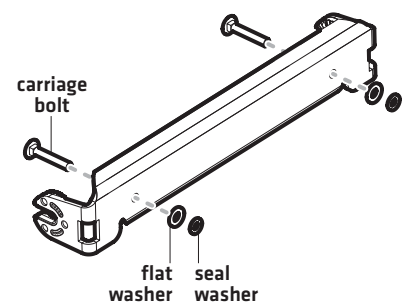
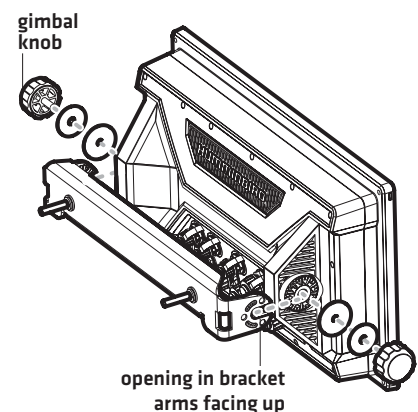
1. Insert a small tool [tip: a paper clip works well] behind each corner piece to pop out the corner cover [see the illustration *Front Mount In-Dash Installation*]. Set the corner covers aside.
2. From the front of the dashboard, with the control head screen facing out, carefully lower the control head into the mounting hole.
3. Press down lightly on the control head. Confirm the control head is seated flush against the dashboard. Make adjustments, as needed.
4. With the control head in place, use a transfer punch or pencil to mark the four corner screw holes to the dash.
5. Remove the control head from the dash and set it aside.
6. Use a 3/16" [4.78 mm] drill bit to drill the four corner-mount screw holes.
7. Insert a bolt into the drilled corner hole. Remove the tape backing from the L-bracket nut. From under the dashboard, begin to fasten the bolt to the L-bracket nut. Make sure the L-bracket nut is aligned with the dash cut-out, and lift the bolt to bring the L-bracket nut to the underside of the dash. Apply pressure to the L-bracket nut for 30 seconds to activate the adhesive tape, and then remove the bolt.
8. Repeat for the other 3 L-bracket nuts.
9. From the front of the dashboard, with the control head screen facing out, carefully lower the control head back into the mounting hole.
10. Apply a small amount of anti-seize to each bolt. Fasten a bolt into each corner hole on the control head until it contacts the bottom of the nut. **Hand-tighten only!**
11. Use a #2 Phillips screwdriver to tighten each bolt an additional 3/4 turn. **Hand-tighten only!**
12. Replace the four corner covers.

**⚠ WARNING!** Do NOT use power tools to secure the hardware.

**Rear Mount Installation**

To install the in-dash mount bracket, you will need the gimbal knobs included with your control head.

1. Place the control head on a towel or cloth, with the screen facing down, on a stable and level surface.
2. See the illustration *Installing the Bolts*. Install the carriage bolts [1/4" - 20] onto the bracket with the flat washer [1/4" x 3/4"] and seal washer [1/4" x 1/2"] in the order shown in the illustration. Hand tighten the washers fully until they are flat and secure on the bracket.
3. Line up the bracket arms with the ratchets on the side of the control head. The opening in the bracket arms should face up [away from the control head ports]. Adjust the bracket so it is parallel with the control head screen. See the illustration *Installing the Bracket*.
4. Install the gimbal knobs into each side of the control head. **Hand-tighten only!** See the illustration *Installing the Bracket*.

**Front Mount In-Dash Installation**

**Installing the Bolts**

**Installing the Bracket**


**APEX™ SERIES IN-DASH MOUNTING Installation Guide**

532752-1\_B

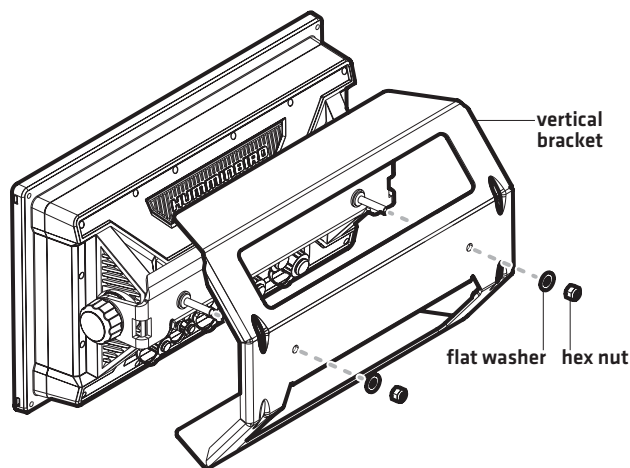
- From the front of the dashboard, with the control head screen facing out, carefully lower the control head into the mounting hole.



**NOTE:** If the control head will not fit through the mounting hole, remove one of the gimbal knobs and angle the control head into the mounting hole. Replace the gimbal knob before proceeding to step 6.

- Press down lightly on the control head. Confirm the control head is centered and flush against the dashboard. Make adjustments, as needed.
- From under the dashboard, insert the vertical bracket holes over the bolts. Ensure the top and bottom of the vertical bracket is evenly aligned and flush against the dash. See the illustration *Installing the Vertical Bracket*.
- Install a flat washer [1/4" x 3/4"] and hex nut [1/4" - 20] onto each carriage bolt. See the illustration *Installing the Vertical Bracket*. Use a 7/16" adjustable wrench to hand-tighten the nuts until the assembly is secured. Then tighten no more than 2 additional turns. **Hand-tighten only!**

Do NOT over-tighten the hex nuts. The bracket should remain straight without bending.

**Installing the Vertical Bracket**

**4 | Connect the Cables**

In this step, you will route the cables to the control head connector panel.

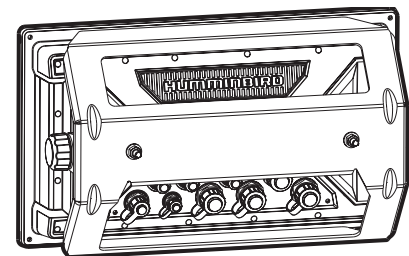
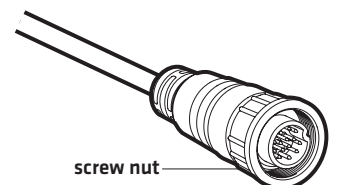


**CAUTION!** Do NOT mount the cables where the connectors could be submerged in water or flooded. If cables are installed in a splash-prone area, it may be helpful to apply dielectric grease to the inside of the connectors to prevent corrosion. Dielectric grease can be purchased separately from a general hardware or automotive store.

- Route the cables to the control head through the bottom opening in the vertical bracket. See the illustration *Routing Cables to the Control Head*.
- Connect each cable to the appropriate ports on the control head. The ports are labeled, and the connectors are keyed to prevent incorrect installation.
- Hand-tighten the screw nut on each cable to secure the connection. See the illustration *Hand-Tightening the Screw Nut*.

Cover any unused ports with the tethered caps to prevent potential damage.

- Your control head is ready for operation. See the Quick Start Guide to get started and download the APEX/SOLIX Operations Manual from our Web site at [humminbird.com](http://humminbird.com).

**Routing Cables to the Control Head**

**Hand-Tightening the Screw Nut**


## 1-Year Limited Warranty

We warrant the original retail purchaser that products made by Humminbird have been manufactured free from defects in materials and workmanship. This warranty is effective for one year from the date of original retail purchase. Humminbird products found to be defective and covered by this warranty will be repaired or replaced free of charge at Humminbird's option and returned to the customer freight prepaid. Humminbird's sole responsibility under this warranty is limited to the repair or replacement of a product that has been deemed defective by Humminbird. Humminbird is not responsible for charges connected with the removal of such product or reinstallation of replaced or repaired parts; or shipping charges to the factory or authorized service center [if outside the U.S.].

This warranty does not apply to a product that has been:

- Improperly installed;
- Used in an installation other than that recommended in the product installation and operation instructions, including commercial applications;
- Damaged or has failed because of an accident or abnormal operation;
- Repaired or modified by entities other than Humminbird.

Please retain your original receipt as a proof of the purchase date. This will be required for in-warranty service.

**THIS WARRANTY IS EXPRESSLY IN LIEU OF ANY OTHER WARRANTIES, OBLIGATIONS OR LIABILITIES ON THE PART OF HUMMINBIRD AND WILL BE THE CUSTOMER'S EXCLUSIVE REMEDY, EXCEPT FOR ANY APPLICABLE IMPLIED WARRANTIES UNDER STATE LAW WHICH ARE HEREBY LIMITED IN DURATION TO ONE YEAR FROM THE DATE OF ORIGINAL PURCHASE. IN NO EVENT WILL HUMMINBIRD BE LIABLE FOR ANY INCIDENTAL OR CONSEQUENTIAL DAMAGES FOR BREACH OF ANY EXPRESS OR IMPLIED WARRANTY RELATING TO THE PRODUCTS.**

Some states do not allow limitations on an implied warranty, or the exclusion of incidental or consequential damages, so the above exclusions may not apply to you. You may also have other rights, which vary from state to state.

## Humminbird Service Policy

Even though you'll probably never need to take advantage of our incredible service policy, it's good to know that we back our products this confidently. We do it because you deserve the best. We will make every effort to repair your unit within three business days from the receipt of your unit at our factory. This does not include shipping time to and from our factory. Units received on Friday are typically shipped by the following Wednesday, units received Monday are typically shipped by Thursday, etc.

All repair work is performed by factory-trained technicians to meet exacting factory specifications. Factory-serviced units go through the same rigorous testing and quality control inspections as new production units.

After the original warranty period, a standard flat rate service charge will be assessed for each repair [physical damage and missing parts are not included]. Any repairs made after the original warranty will be warranted for an additional 90 days after service has been performed by our factory technicians. You can contact Technical Support or visit our Web site to verify the flat rate repair fee for your product [visit the Product Support section]:

<http://www.humminbird.com>

We reserve the right to deem any product unserviceable when replacement parts are no longer available or impossible to obtain. This Service Policy is valid in the United States only. This applies only to Humminbird products returned to our factory in Eufaula, Alabama. This Service Policy is subject to change without notice.

## RETURNING YOUR UNIT FOR SERVICE

Before sending your unit in for repair, please contact the factory, either by phone or by email, to obtain a Repair Authorization Number for your unit.



**NOTE:** Please do not return your Humminbird to the store for service.

Please have your product model name and serial number available before calling the factory. If you contact the factory by e-mail, please include your product model name and serial number in the e-mail, and use Request for Repair Authorization Number for your e-mail subject header. You should include your Repair Authorization Number in all subsequent communications about your unit.

For **IN-WARRANTY** service, complete the following steps:

- Obtain a Repair Authorization Number from Humminbird Technical Support.
- Tag product with your name, street address, phone number and your assigned Repair Authorization Number.
- Include a brief written description of the problem.
- Include a copy of your receipt (to show proof and date of purchase).
- Return product freight prepaid to Humminbird, using an insured carrier with delivery confirmation.

For **OUT-OF-WARRANTY** service, complete the following steps:

- Obtain a Repair Authorization Number from Humminbird Technical Support.
- Include payment in the form of credit card number and expiration date, or a money order. Please do not send cash.
- Tag product with your name, street address, phone number and your assigned Repair Authorization Number.
- Include a brief written description of the problem.
- Return product freight prepaid to Humminbird, using an insured carrier with delivery confirmation.

## CONTACT HUMMINBIRD

Contact Humminbird Technical Support through our Help Center at <https://humminbird-help.johnsonoutdoors.com/hc/en-us> or in writing to the address below:

Humminbird Service Department  
678 Humminbird Lane  
Eufaula, AL 36027 USA



**WARNING!** Disassembly and repair of this electronic unit should only be performed by authorized service personnel. Any modification of the serial number or attempt to repair the original equipment or accessories by unauthorized individuals will void the warranty.



**NOTE:** Product specifications and features are subject to change without notice.

**ENVIRONMENTAL COMPLIANCE STATEMENT:** It is the intention of Johnson Outdoors Marine Electronics, Inc. to be a responsible corporate citizen, operating in compliance with known and applicable environmental regulations, and a good neighbor in the communities where we make or sell our products.

**WEEE DIRECTIVE:** EU Directive 2002/96/EC “Waste of Electrical and Electronic Equipment Directive [WEEE]” impacts most distributors, sellers, and manufacturers of consumer electronics in the European Union. The WEEE Directive requires the producer of consumer electronics to take responsibility for the management of waste from their products to achieve environmentally responsible disposal during the product life cycle.

WEEE compliance may not be required in your location for electrical & electronic equipment [EEE], nor may it be required for EEE designed and intended as fixed or temporary installation in transportation vehicles such as automobiles, aircraft, and boats. In some European Union member states, these vehicles are considered outside of the scope of the Directive, and EEE for those applications can be considered excluded from the WEEE Directive requirement.




This symbol [WEEE wheeled bin] on product indicates the product must not be disposed of with other household refuse. It must be disposed of and collected for recycling and recovery of waste EEE. Johnson Outdoors Marine Electronics, Inc. will mark all EEE products in accordance with the WEEE Directive. It is our goal to comply in the collection, treatment, recovery, and environmentally sound disposal of those products; however, these requirements do vary within European Union member states. For more information about where you should dispose of your waste equipment for recycling and recovery and/or your European Union member state requirements, please contact your dealer or distributor from which your product was purchased.


## PRÉSENTATION DE L'INSTALLATION

Voici les instructions relatives à l'installation du montage de tableau de bord de la tête de commande APEX. Nous vous invitons à lire la notice avant de commencer l'installation afin de prendre connaissance des exigences.

**Assistance technique :** Si vous découvrez que des articles sont manquants dans votre trousse d'installation, rendez-vous sur notre site Web, [humminbird.com](http://humminbird.com), ou contactez le support technique Humminbird via notre centre d'aide à l'adresse <https://humminbird-help.johnsonoutdoors.com/hc/en-us>.

**Matériel :** En plus de la quincaillerie fournie avec votre accessoire, vous aurez besoin d'une perceuse et de forets de différents diamètres, d'un outil de coupe pour le matériau du tableau de bord, de différents outils à main [y compris une clé à molette 3/16" [4,78 mm] et un tournevis cruciforme n° 2 pour l'option de montage avant ou une clé à molette de 7/16" [11 mm] pour l'option de montage arrière], de lunettes de sécurité, d'un masque antipoussière, de ruban-cache et d'une serviette ou d'un chiffon.


 **AVERTISSEMENT !** N'utilisez PAS des outils électriques pour fixer la quincaillerie. Nous vous encourageons à lire les directives pour mieux comprendre les exigences d'installation.

 **REMARQUE :** Le matériel et les fonctions du produit peuvent changer sans préavis.

### 1 | Préparation de l'emplacement de montage

Commencez par localiser un endroit plat sur le tableau de bord qui soit propice au montage. Tenez compte des facteurs suivants pour trouver le meilleur emplacement :

- **Interférences :** L'emplacement de montage doit se trouver à distance appropriée de tout équipement ou moteur électrique pouvant provoquer des interférences électroniques.
- **Stabilité :** La zone de montage doit être protégée des vagues, des chocs, des vibrations et de l'eau.
- **Profondeur :** La zone de montage doit avoir une profondeur de 102 mm [4 po] pour l'installation avant et de 139,7 mm [5,5 po] pour l'installation arrière afin de laisser de l'espace pour la tête de commande et les câbles.
- **Ventilation :** La zone située sous la surface de montage doit être bien ventilée.
- **Accessibilité :** L'emplacement doit être aisément accessible pour que tous les câbles puissent atteindre les ports situés au dos de la tête de commande.
- **Plusieurs têtes de commande :** Si vous prévoyez d'installer plus d'une tête de commande l'une à côté de l'autre, laissez un espace minimum de 36,2 mm [1 7/16 po] entre les trous de montage. Cela laissera un espace de 7 mm [1/4 po] entre les têtes de commande avec les couvercles installés, et un espace pour le support sous le tableau de bord. Prenez vos mesures depuis le côté avant, gauche ou droit de la ligne de coupe de la tête de commande. **Voir le gabarit pour de plus amples renseignements.**

 **REMARQUE :** Si les câbles sont trop courts pour votre application, des rallonges sont disponibles. Pour obtenir de l'aide, communiquez avec le service d'assistance technique de Humminbird.

### 2 | Percer le trou de montage du tableau de bord

Pour monter la tête de commande sur le tableau de bord, commencez par placer les composants sur les surfaces où vous envisagez de les installer.

1. Consultez les instructions, les mesures et les options de découpage indiquées sur le Gabarit de montage du tableau de bord.
2. Collez le gabarit sur l'emplacement de montage du tableau de bord choisi à l'aide d'un ruban adhésif.
3. En utilisant le gabarit, sélectionnez la méthode de découpage la mieux appropriée à votre bateau :
  - Percez un trou d'entrée à l'écart de la ligne de coupe principale, de telle sorte qu'il soit suffisamment grand pour que vous puissiez insérer la lame de votre outil de coupe.

**OU**

- En utilisant un foret de 11.11 mm [7/16 po], percez les 4 trous d'angles (à l'intérieur de la ligne de coupe principale), comme illustré sur le gabarit. Utilisez l'un des trous d'angle comme un trou d'entrée, ou percez un trou d'entrée supplémentaire à l'écart de la ligne de coupe principale.

**DU MONTAGE DE TABLEAU DE BORD DE LA SÉRIE APEX™**

532752-1\_B

4. Commencez par découper soigneusement en direction de la **ligne de coupe**, puis suivez l'intérieur de cette ligne tout autour du gabarit.
5. **Vérifier le trou de montage** : Installez la tête de commande dans le trou de montage pour vérifier qu'elle s'insère correctement. Ajustez le trou de montage selon le besoin. Écartez le gabarit une fois la découpe terminée.
6. Nettoyez et ébavurez soigneusement le trou de montage.

**3 | Installer la tête de commande**

Suivez les instructions de cette section pour savoir si vous allez effectuer une installation avant ou arrière.

**Installation du montage avant**

1. Insérez un petit outil [conseil : une pince à papier fonctionne bien] derrière chaque pièce d'angle pour sortir le couvercle d'angle [voir l'illustration *Installation du tableau de bord à l'avant*]. Mettez les couvercles d'angle de côté.
2. Depuis l'avant de la tête de commande, avec l'écran de tête de commande tourné vers l'extérieur, abaissez soigneusement la tête de commande dans le trou de montage.
3. Appuyez légèrement sur la tête de commande. Vérifiez que la tête de commande est placée à plat contre le tableau de bord. Effectuez les ajustements nécessaires.
4. Une fois la tête de commande en place, utilisez un poinçon ou un crayon pour marquer les quatre trous de vis d'angle sur le tableau de bord.
5. Retirez la tête de commande du tableau de bord et mettez-la de côté.
6. Utilisez une mèche de 4.78 mm [3/16 po] pour percer les quatre trous de vis d'angle.
7. Insérez un boulon dans le trou d'angle percé. Retirez la bande adhésive de l'écrou du support en L. Sous le tableau de bord, commencez à fixer le boulon à l'écrou du support en L. Assurez-vous que l'écrou du support en L est aligné avec la découpe du tableau de bord, et soulevez le boulon pour amener l'écrou du support en L sous le tableau de bord. Appuyez sur l'écrou du support en L pendant 30 secondes pour activer le ruban adhésif, puis retirez le boulon.
8. Répétez pour les trois autres écrous de support en L.
9. Depuis l'avant de la tête de commande, avec l'écran de tête de commande tourné vers l'extérieur, abaissez soigneusement la tête de commande dans le trou de montage.
10. Appliquez une petite quantité d'anti-grippage sur chaque boulon. Fixez une vis dans chaque trou d'angle de la tête de commande jusqu'à ce qu'elle touche le fond du trou. **Serrez à la main seulement!**
11. Utilisez un tournevis cruciforme pour serrer chaque boulon de 3/4 de tour supplémentaire. **Serrez à la main uniquement!**
12. Remplacez les quatre couvercles d'angle.

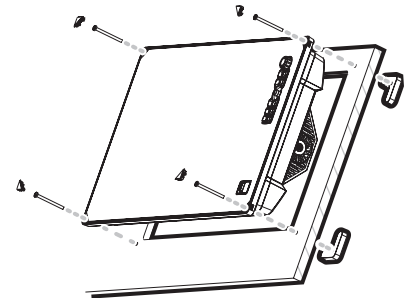
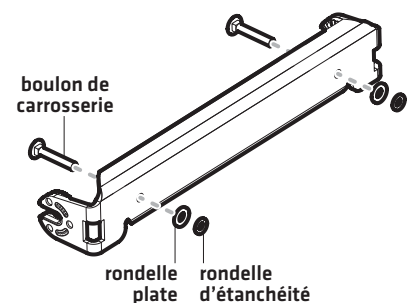
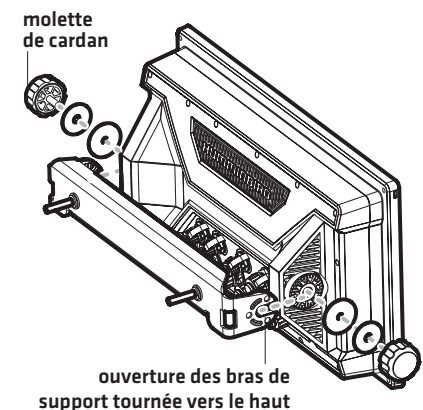


**AVERTISSEMENT !** N'utilisez PAS des outils électriques pour fixer la quincaillerie.

**Installation du montage arrière**

Pour installer le support de montage du tableau de bord, vous aurez besoin des molettes de cadran incluses avec votre tête de commande.

1. Placez la tête de commande sur une serviette ou un chiffon, avec l'écran tourné vers le bas, sur une surface plane et stable.
2. Voir l'illustration *Installation des boulons*. Installez les boulons de carrosserie [7 mm [1/4 po] - 20] sur le support avec la rondelle plate [7 mm [1/4 po] x 19 mm [3/4 po]] et la rondelle d'étanchéité [7 mm [1/4 po] x 12,7 mm [1/2 po]] dans l'ordre indiqué sur l'illustration. Serrez complètement les rondelles à la main jusqu'à ce qu'elles soient à plat et fixées sur le support.
3. Alignez les bras du support aux mécanismes à rocher situés sur le côté de la tête de commande. L'ouverture des bras de support doit être orientée vers le haut [à l'écart des ports de la tête de commande]. Réglez le support pour qu'il soit parallèle à l'écran de la tête de commande. Voir l'illustration *Installation du support*.

**Installation du tableau de bord à l'avant**

**Installation des boulons**

**Installation du support**


**DU MONTAGE DE TABLEAU DE BORD DE LA SÉRIE APEX™**

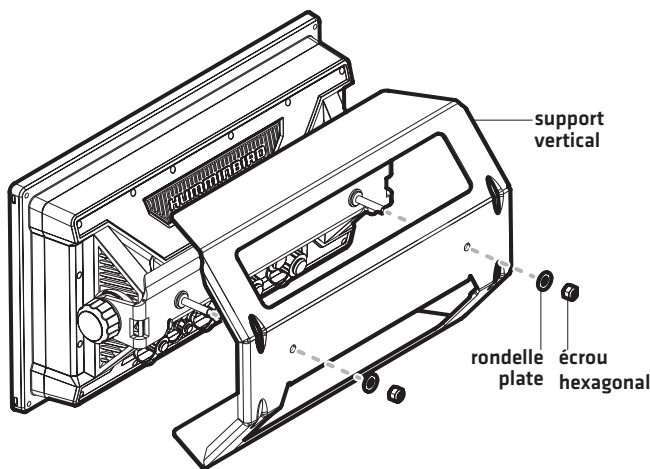
532752-1\_B

4. Placez les molettes du cardan de chaque côté de la tête de commande. **Serrez à la main seulement!** Voir l'illustration *Installation du support*.
5. Depuis l'avant de la tête de commande, avec l'écran de tête de commande tourné vers l'extérieur, abaissez soigneusement la tête de commande dans le trou de montage.

**REMARQUE :** Si la tête de commande n'est pas correctement insérée dans le trou de montage, retirez l'une des molettes à cadran et positionnez la tête de commande dans le trou de montage. Remplacez la molette à cadran avant de continuer vers l'étape 6.

6. Appuyez légèrement sur la tête de commande. Vérifiez que la tête de commande est centrée et bien à plat contre le tableau de bord. Effectuez les ajustements nécessaires.
7. Depuis le dessous du tableau de bord, insérez les trous du support vertical dans les boulons. Assurez-vous que le haut et le bas du support vertical sont uniformément alignés et bien à plat sur le tableau de bord. Voir l'illustration *Installation du support vertical*.
8. Installez une rondelle plate [7 mm [1/4 po] x 19 mm [3/4 po]] et un écrou hexagonal [7 mm [1/4 po] - 20] sur chaque boulon de carrosserie. Voir l'illustration *Installation du support vertical*. Utilisez une clé réglable de 11 mm [7/16 po] pour serrer à la main les écrous jusqu'à ce que l'ensemble soit fixé. Puis serrez de 2 tours supplémentaires maximum. **Serrez à la main seulement!**

**Ne serrez PAS excessivement les écrous hexagonaux.** Le support doit rester droit sans plier.

**Installation du support vertical**

**4 | Branchement des câbles**

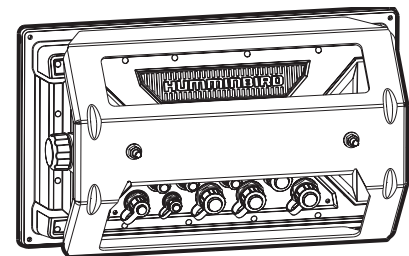
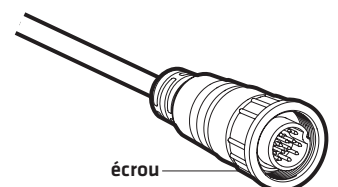
Dans cette étape, vous acheminerez les câbles vers le panneau du connecteur de la tête de commande.

**⚠ MISE EN GARDE !** Ne PAS monter les câbles dans un endroit où les connecteurs pourraient être submergés. Si les câbles sont installés dans une zone où des éclaboussures sont possibles, il est préférable d'appliquer de la graisse diélectrique sur l'intérieur des connecteurs pour éviter la corrosion. Il est possible d'acheter la graisse diélectrique séparément dans une quincaillerie ou dans un magasin d'équipement automobile.

1. Acheminez les câbles vers la tête de commande à travers l'ouverture inférieure dans le support vertical. Voir l'illustration *Acheminement des câbles sur la tête de commande*.
2. Branchez chaque câble aux ports appropriés sur la tête de commande. Les prises sont étiquetées et les connecteurs sont clavetés afin de prévenir une mauvaise installation.
3. Serrez à la main l'écrou qui se trouve sur chaque câble de façon à ce que la connexion soit solide. Voir l'illustration *Serrage de l'écrou à la main*.

Couvrez les ports non utilisés éventuels avec les capuchons attachés pour prévenir tout dommage potentiel.

4. La tête de commande est prête à fonctionner. Reportez-vous au Guide de démarrage rapide pour commencer et téléchargez le Manuel d'utilisation APEX/SOLIX sur le site Web [humminbird.com](http://humminbird.com).

**Acheminement des câbles sur la tête de commande**

**Serrage de l'écrou à la main**




## **Garantie restreinte d'un (1) an**

Nous garantissons à l'acheteur au détail initial que les produits fabriqués par Humminbird sont exempts de défauts de matière et de fabrication. Cette garantie est en vigueur pour une durée d'un an à partir de la date de l'achat initial. Les produits de Humminbird qui sont effectivement défectueux et couverts par cette garantie seront réparés ou remplacés sans frais, à la discrétion de Humminbird, et renvoyés au client, fret payé à l'avance. La seule responsabilité de Humminbird relativement à cette garantie se limite à réparer ou à remplacer un produit jugé défectueux par Humminbird. Humminbird n'est pas responsable des frais reliés à la désinstallation d'un tel produit ni à la réinstallation de la pièce remplacée ou réparée ; ou les frais d'expédition à l'usine ou au centre de service autorisé [si à l'extérieur des États-Unis].

Cette garantie ne couvre pas un produit qui a été :

- Mal installé;
- Installé d'une façon autre que celle recommandée dans la notice d'installation ou le mode d'emploi du produit, y compris les applications commerciales;
- Endommagé ou qui a cessé de fonctionner par suite d'un accident ou d'une utilisation anormale;
- Réparé ou modifié par une entité autre que Humminbird.

Veuillez conserver le reçu de caisse original comme preuve de la date d'achat. Il vous sera demandé pour toute réparation effectuée sous garantie.

**CETTE GARANTIE EXPRESSE REMPLACE TOUTE AUTRE GARANTIE, OBLIGATION OU RESPONSABILITÉ DE LA PART DE HUMMINBIRD, ET CONSTITUE LE SEUL RECOURS DU CLIENT, EXCEPTION FAITE DE TOUTE GARANTIE APPLICABLE IMPLICITE EN VERTU D'UNE LOI PROVINCIALE (D'ÉTAT), LIMITÉE PAR LA PRÉSENTE À UNE DURÉE D'UN AN À PARTIR DE LA DATE D'ACHAT INITIALE. HUMMINBIRD NE POURRA EN AUCUN CAS ÊTRE TENUE RESPONSABLE DE TOUT DOMMAGE ACCESSOIRE OU CONSÉCUTIF À L'INOBSERVATION D'UNE GARANTIE EXPRESSE OU IMPLICITE RELATIVE AUX PRODUITS.**

Certaines provinces ou certains États ne permettent ni l'imposition de restrictions sur les garanties implicites ni l'exclusion des dommages consécutifs ou indirects, alors ces restrictions ou exclusions pourraient ne pas vous concerner. Vous pourriez également bénéficier d'autres droits, qui varient d'une province [d'un État] à une [un] autre.

## **Politique de service après-vente de Humminbird**

Même si vous n'aurez probablement jamais à utiliser notre politique rigoureuse de service après-vente, il est plaisant de savoir que nous soutenons nos produits avec tant de confiance. Nous agissons ainsi parce que nous croyons que vous méritez ce qu'il y a de mieux. Nous ferons tout en notre pouvoir pour réparer votre appareil en deçà de trois jours ouvrables, à partir de la date de réception de l'appareil à notre usine. Ce délai ne comprend pas la durée du transport jusqu'à notre usine, ni de notre usine jusqu'à vous. Les appareils reçus le vendredi sont habituellement retournés le mercredi suivant, les appareils reçus le lundi sont habituellement retournés le jeudi, et ainsi de suite.

Toutes les réparations sont effectuées en accord avec les spécifications rigoureuses de l'usine, par des techniciens formés en usine. Les appareils réparés en usine sont testés de la même façon et subissent les mêmes contrôles de qualité que les nouvelles unités en production.

À la fin de la période de garantie initiale, une évaluation des frais de service à tarif fixe régulier sera effectuée pour chaque appareil en réparation [dommages physiques et pièces manquantes non comprises]. Toute réparation effectuée après la période de garantie initiale est garantie pendant 90 jours à partir de la date de la réparation par notre technicien en usine. Vous pouvez communiquer avec le support technique ou visitez notre site Web pour vérifier les frais de service à tarif fixe pour votre produit [voir la section de soutien technique sur les produits] :


<http://www.humminbird.com>

Nous nous réservons le droit de considérer un produit irréparable si les pièces de rechange sont discontinuées ou impossibles à obtenir. La politique de service après-vente n'est valide qu'aux États-Unis. Elle ne s'applique qu'aux produits Humminbird retournés à notre usine située à Eufaula, Alabama. La politique de service après-vente est modifiable sans préavis.

## COMMENT RENVOYER VOTRE APPAREIL

### POUR RÉPARATION

Avant de renvoyer votre appareil pour réparation, veuillez communiquer avec l'usine, soit par téléphone ou par courrier électronique, afin d'obtenir un numéro d'autorisation de réparation pour votre appareil.

 **REMARQUE** : Ne pas renvoyer cet appareil en magasin pour le faire réparer.

Assurez-vous d'avoir le nom de modèle et le numéro de série de votre produit avant d'appeler l'usine. Si vous communiquez avec l'usine par courrier électronique, veuillez inclure le nom de modèle et le numéro de série de votre produit dans le message et inscrire Demande de numéro d'autorisation de réparation dans le sujet du courriel. Par la suite, vous devriez toujours vous référer à ce numéro d'autorisation de réparation lors de communications subséquentes au sujet de votre appareil.

### Veuillez suivre les étapes suivantes pour les réparations à effectuer SOUS GARANTIE :

- Obtenir un numéro d'autorisation de réparation de support technique Humminbird.
- Étiqueter le produit du nom, de l'adresse et du téléphone, ainsi que du numéro d'autorisation de réparation.
- Décrire brièvement le problème.
- Joindre une copie du reçu [comme preuve d'achat et de date d'achat].
- Renvoyer le produit, fret payé à l'avance, à Humminbird. Assurer l'expédition et demander une preuve de livraison.


### Veuillez suivre les étapes suivantes pour les réparations d'appareils N'ÉTANT PLUS SOUS GARANTIE :


- Obtenir un numéro d'autorisation de réparation de support technique Humminbird.
- Joindre le paiement soit en incluant un numéro de carte de crédit avec date d'expiration, soit en joignant un mandat postal ou bancaire. Ne pas envoyer d'argent comptant.
- Étiqueter le produit du nom, de l'adresse et du téléphone, ainsi que du numéro d'autorisation de réparation.
- Décrire brièvement le problème.
- Renvoyer le produit, fret payé à l'avance, à Humminbird. Assurer l'expédition et demander une preuve.

## POUR COMMUNIQUER AVEC HUMMINBIRD

Contactez le support technique Humminbird via notre centre d'aide à l'adresse <https://humminbird-help.johnsonoutdoors.com/hc/en-us> ou par écrit à l'adresse ci-dessous :

Humminbird Service Department  
678 Humminbird Lane  
Eufaula, AL 36027 USA


 **AVERTISSEMENT !** La réparation et le démontage de cet appareil électronique doivent être effectués uniquement par un personnel d'entretien autorisé. Toute modification du numéro de série ou réparation par un personnel non autorisé entraînera l'annulation de la garantie.

 **REMARQUE** : Les caractéristiques et spécifications peuvent être modifiées sans préavis.

**DÉCLARATION DE CONFORMITÉ AVEC L'ENVIRONNEMENT** : Johnson Outdoors Marine Electronics, Inc. entend agir en de façon responsable, et respecter la réglementation environnementales connues et applicables et la politique de bon voisinage des communautés où elle fabrique et vend ses produits.

**DIRECTIVE DEEE** : La directive EU 2002/96/CE sur les « déchets d'équipements électriques et électroniques [DEEE] » concerne la plupart des distributeurs, vendeurs et fabricants d'équipements électroniques grand public dans l'Union européenne. La directive DEEE requiert que le producteur d'équipements électroniques grand public prenne en charge la gestion des déchets de leurs produits et mettent en oeuvre leur élimination en respectant l'environnement, pendant le cycle de vie du produit.

Il est possible que la conformité à la directive DEEE ne soit pas requise sur le site pour les équipements électriques et électroniques [EEE], ou pour les équipements EEE conçus et destinés à des installations temporaires ou fixes sur les véhicules de transport tels que les automobiles, les aéronefs ou les bateaux. Dans certains pays membres de l'Union européenne, ces véhicules n'entrent pas dans le domaine d'application de la directive, et les EEE pour ces applications peuvent être considérés exclus de la conformité à la directive WEEE.

 Ce symbole (poubelle DEEE) figurant sur le produit indique qu'il ne doit pas être mis au rebut avec les autres déchets ménagers. Il doit être éliminé et recueilli pour le recyclage et la récupération des équipements EEE à mettre au rebut. Johnson Outdoors Marine Electronics, Inc. marque tous les produits EEE conformément à la directive DEEE. Notre but est de respecter les directives sur la collecte, le traitement, la récupération et la mise au rebut de ces produits en respectant l'environnement ; ces exigences varient toutefois d'un état membre à l'autre de l'Union européenne. Pour obtenir d'autres renseignements sur les sites d'élimination des déchets d'équipements en vue de leur recyclage et de leur récupération et/ou sur les exigences des états membres de l'Union européenne, renseignez-vous auprès du distributeur ou du lieu d'achat de votre produit.