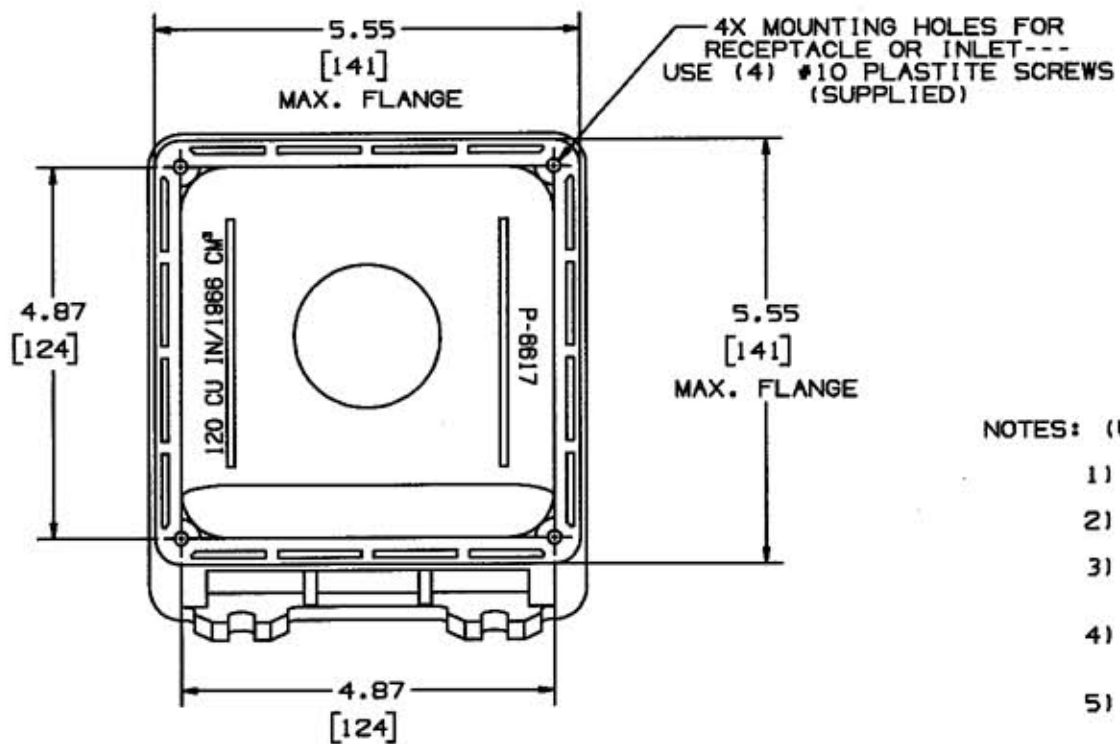
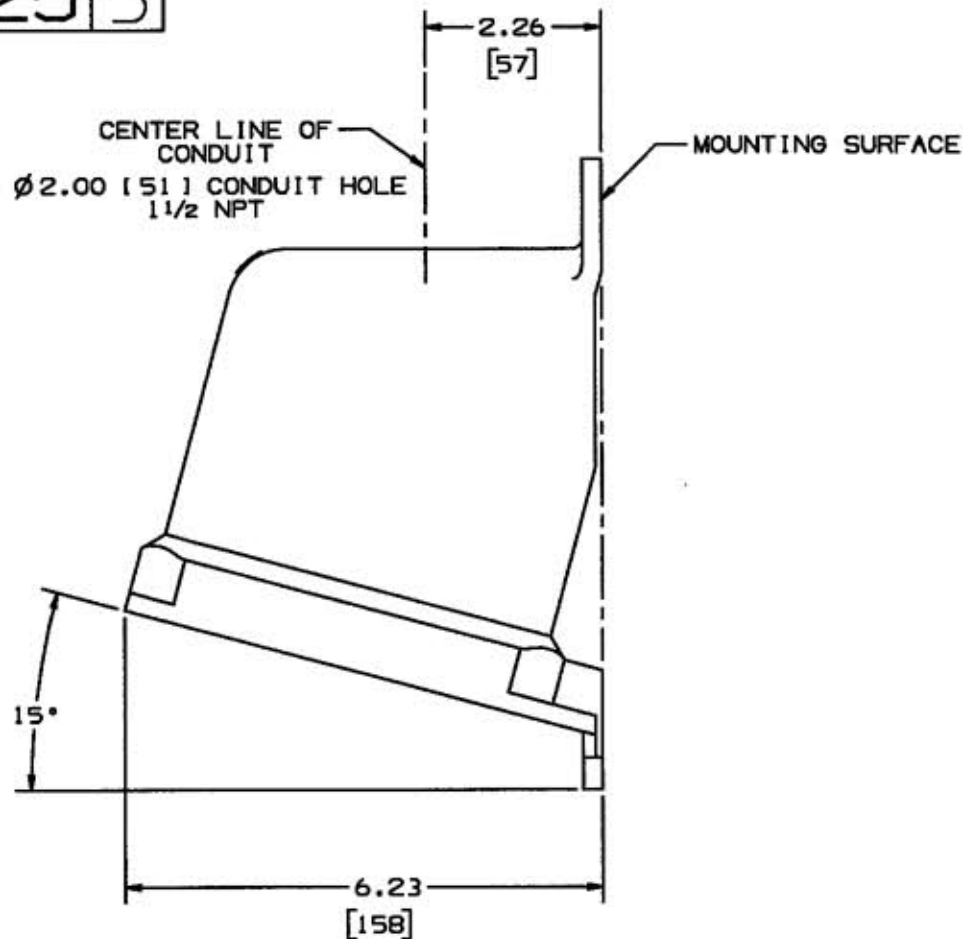
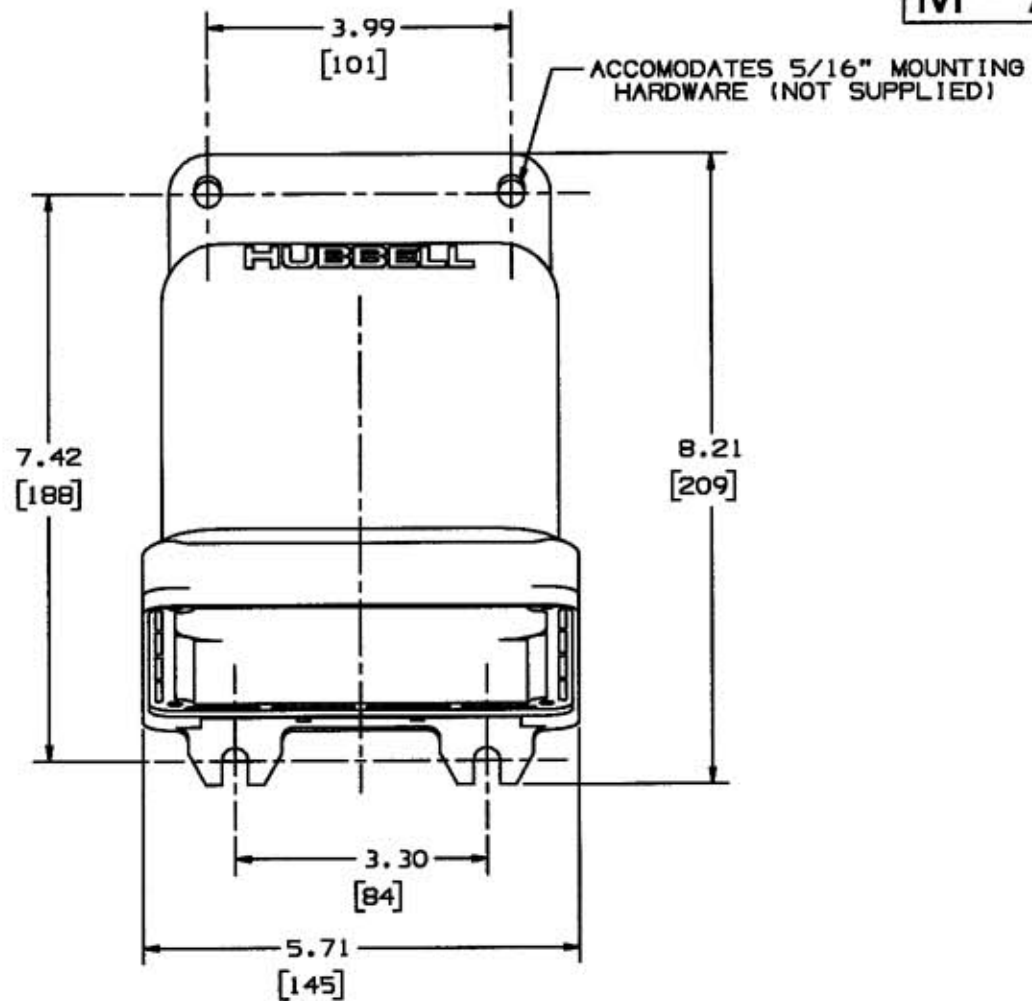


M-7325 5



NOTES: (UNLESS OTHERWISE SPECIFIED)

- 1) VOLUME: 120 CUBIC INCHES/1966 CM³
- 2) TYPE: 4, 4X, 12 ENCLOSURE
- 3) POLY BAG CONTAINS: GROUND PLATE, (2) GROUND SCREWS & (4) #10 PLASTITE SCREWS
- 4) 1 1/2 CONDUIT HUB NOT SUPPLIED: ORDER RACO CAT. NO. 1706
- 5) TOLERANCES ARE: DECIMALS ± .03
ANGLES ± 2°
- 6) DIMENSIONS ARE: INCHES
[MILLIMETERS]

LIST OF PARTS

DESCRIPTION	MATERIAL	FINISH
BACK BOX - 100AMP	PBT	GRAY
GROUND PLATE	STEEL	PRE-PLATED GALV.
(4) MOUNTING SCREWS	ST STL	PASSIVATED
(2) BOX TERMINALS	COPPER	
(2) TERMINAL SCREWS	STEEL	ZINC PLATED

SYM	REVISIONS	APP	DATE
5	7.42 DIM. WAS 7.41. IN PARTS LIST, TERMINAL SCREW MATERIAL/FINISH "STEEL/ZINC PLATE" WAS "ST STL/PASSIVATED". "NOTES: (UNLESS OTHERWISE SPECIFIED)" WAS "ADDITIONAL INFORMATION:". ADDED NOTES 5 & 6 AND NUMBERS TO NOTES 1-4 PER DCN #12944. JMN	DJP	7/10/06
4	ADDED CAT. NO. TO TITLE PER DCN #7793. AMZ	DB	7/28/00
3	ADDED NOTE "1 1/2 INCH CONDUIT HUB NOT SUPPLIED: ORDER RACO CAT. NO. 1706" PER DCN 3669 JVO	JLS	7/21/95
2	"7.41 [188]" WAS "7.39 [188]"; "2.26 [57]" WAS "2.29 [58]"; "Ø 2.00 [51]" WAS "Ø 1.90 [48]"; IN LIST OF PARTS DELETED "(2) GROUND SCREWS" AND ADDED "(2) BOX TERMINALS" AND "(2) TERMINAL SCREWS" PER DCN 3497 JVO	JLS	5/3/95
1	"X" REMOVED; LAST "X" REVISION WAS "X-0" PER DCN #3105 RCM JSANDOR	JLS	10/10/94

THE DESIGN AND DIMENSIONS OF THE PRODUCT SHOWN ON THIS DRAWING ARE SUBJECT TO CHANGE WITHOUT NOTICE

TITLE
BB100N
BACK BOX, 100 AMP

TOLERANCES UNLESS OTHERWISE SPECIFIED FRACTIONS ± 1/64 DECIMALS ± .005 ANGLES ± 2°	WIRING DEVICE-KELLEMS HUBBELL INCORPORATED BRIDGEPORT, CT	
	DR. BY RCM	APP. BY
	TR. BY	SCALE NONE
CHK'D BY	DATE 10/10/94	

DIMENSION SHEET FOR CAT. NO. BB100N

REPAIRABLE NON-REPAIRABLE

B

M-7325

5