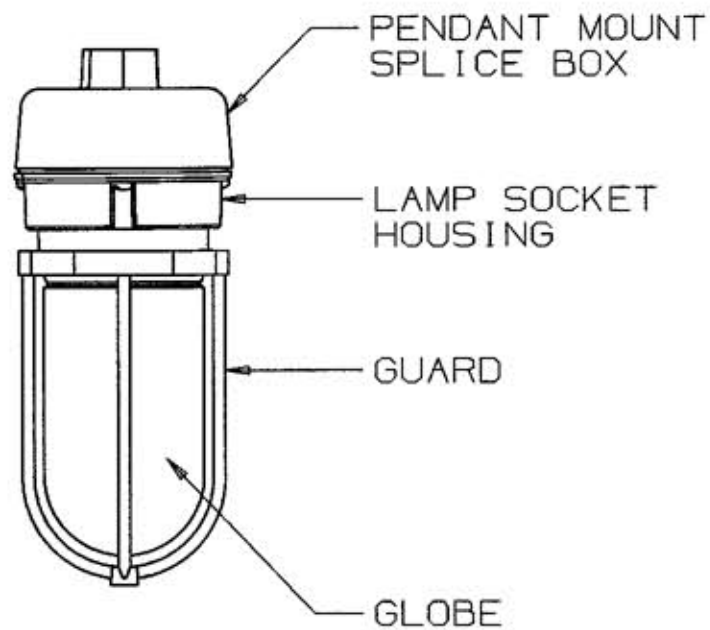
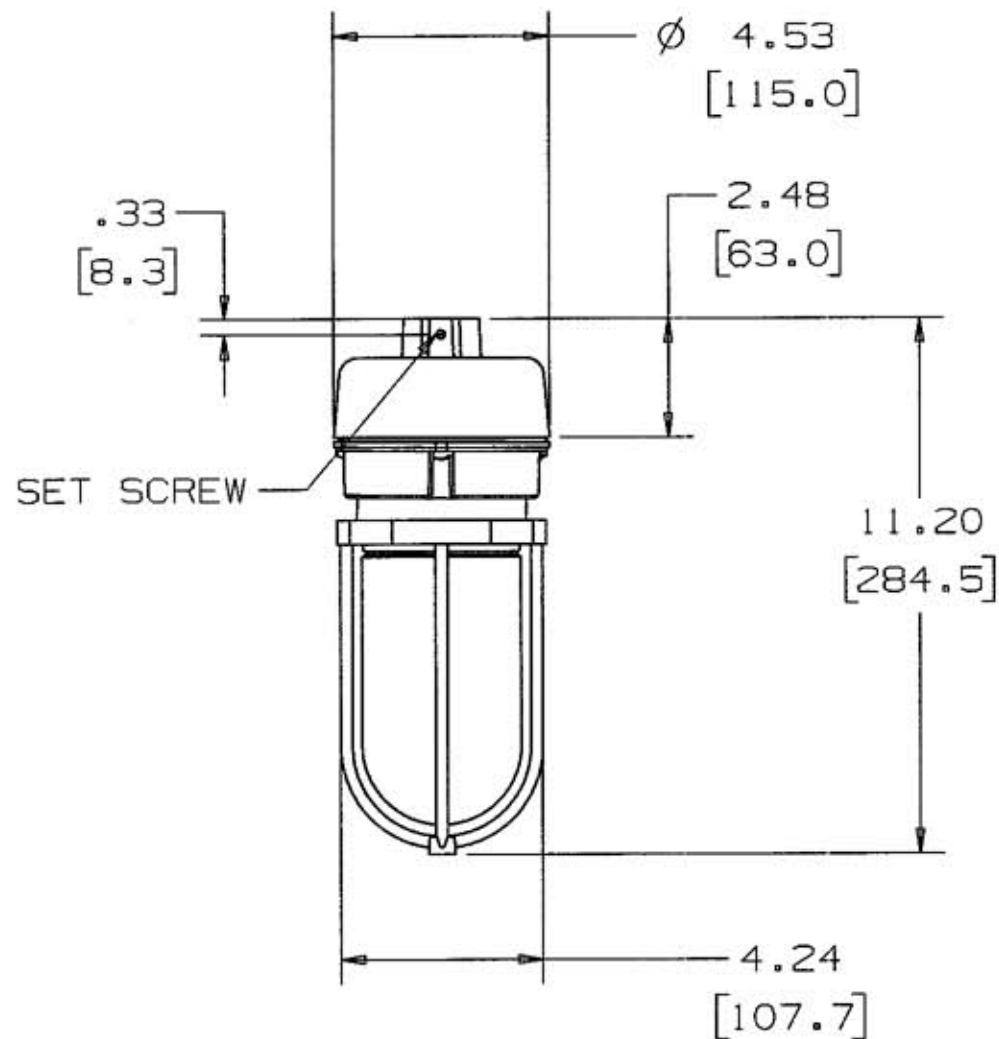
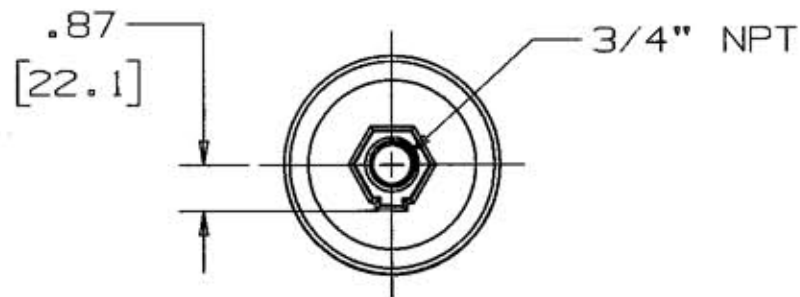


M-10632 2



LIST OF PARTS

DESCRIPTION	MATERIAL	FINISH
PENNANT MOUNT	POLYESTER	GRAY
SPLICE BOX		
LAMP SOCKET	POLYESTER	GRAY
HOUSING		
GUARD	POLYESTER	GRAY
GLOBE	GLASS	CLEAR

2	REMOVED PARENTHESIS FROM DIMS. AND ADDED METERIC VALUES. ADDED COLORS TO FINISH COLUMN OF PARTS LIST. ADDED NOTE 1. PER DCN 14103 SPN	WUH WUH	7/26/07
1	NEW RELEASE DCN 13948 SPN	WUH	6/5/07
SYM	REVISIONS	APP	DATE

THE DESIGN AND DIMENSIONS OF THE PRODUCT SHOWN ON THIS DRAWING ARE SUBJECT TO CHANGE WITHOUT NOTICE

TITLE  
LIGHTING FIXTURE  
PENDANT MOUNT

TOLERANCES UNLESS OTHERWISE SPECIFIED	WIRING DEVICE-KELLEMS HUBBELL INCORPORATED BRIDGEPORT, CT	
FRACTIONS ± 1/64	DR. BY SPN	APP. BY WUH
DECIMALS ± .005	TR. BY	SCALE 1/4
ANGLES ± 2°	CHK'D BY WUH	DATE 6/5/07

NOTES:  
1. DIMENSIONS ARE NOMINAL VALUES AND SHOWN IN INCH [mm]. USE FOR REFERENCE ONLY.

DIMENSION SHEET FOR CAT. NO. NVA15GHGA

REPAIRABLE  NON-REPAIRABLE

B M-10632 2