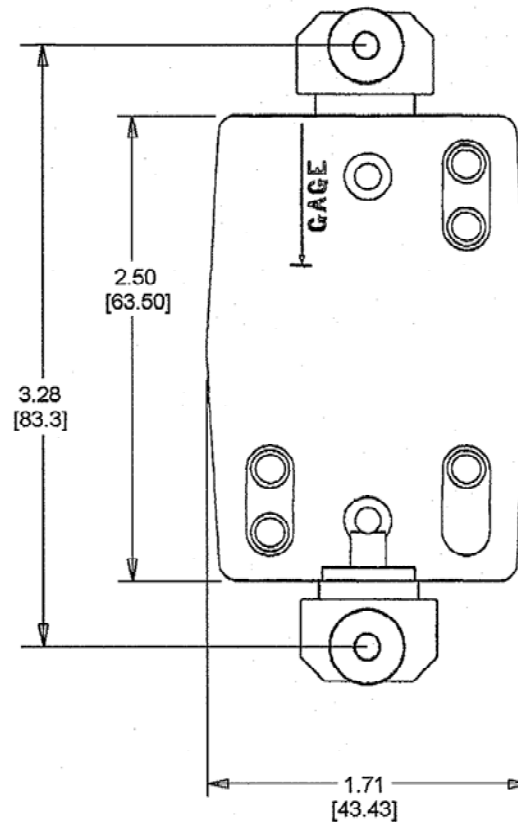
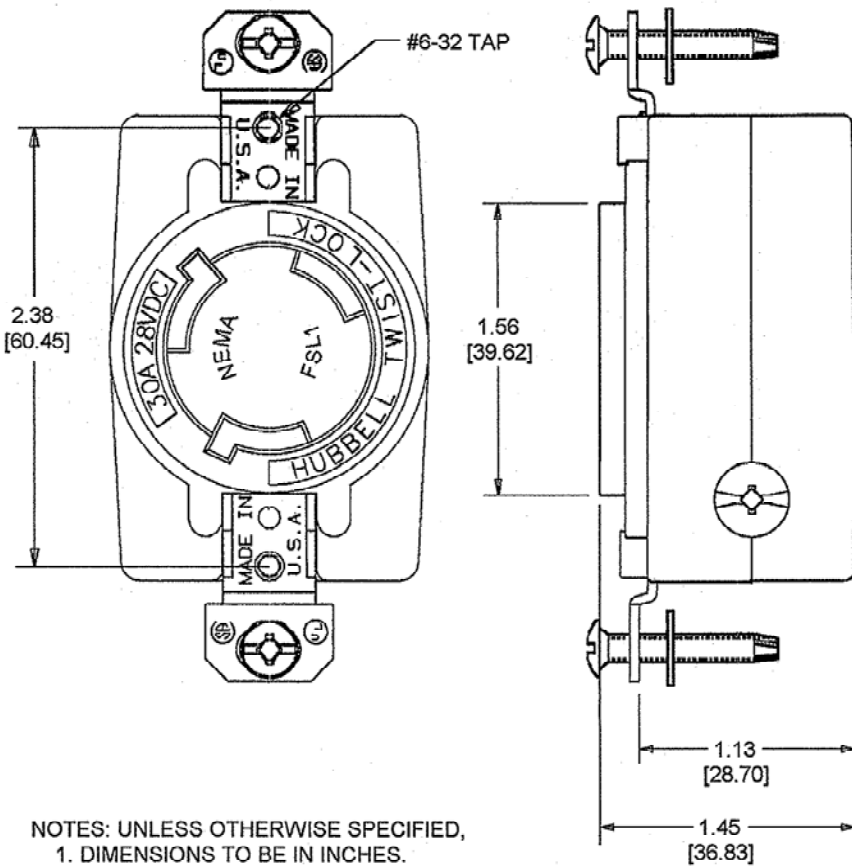


M-10291 2



NOTES: UNLESS OTHERWISE SPECIFIED,  
 1. DIMENSIONS TO BE IN INCHES.  
 [mm]  
 2. .XX TOLERANCES TO BE ±.03

CODE 74545

LIST OF PARTS

DESCRIPTION	MATERIAL	FINISH
BACK	UREA	YELLOW
FACE	UREA	YELLOW
CONTACT SPRINGS	BRASS	NICKEL PL.
CLAMP NUT	BRASS	NICKEL PL.
GROUND SHUNT	BRASS	NICKEL PL.
BINDING SCREWS	BRONZE	
HEX HD. BIND. SCREW	BRONZE	GREEN
RIVET	COPPER	NICKEL PL.

2	BINDING SCREWS MATERIAL: BRONZE WAS BRASS PER DCN 15709 RCM	DJP	1/20/10
1	NEW RELEASE PER DCN 13334 RCM	DJP	8/28/06
SYM	REVISIONS	APP	DATE

THE DESIGN AND DIMENSIONS OF THE PRODUCT SHOWN ON THIS DRAWING ARE SUBJECT TO CHANGE WITHOUT NOTICE

TITLE  
 30A 28VDC, 2 POLE, 3 WIRE TWIST-LOCK RECEPTACLE

TOLERANCES UNLESS OTHERWISE SPECIFIED		WIRING DEVICE-KELLEMS HUBBELL INCORPORATED BRIDGEPORT, CT	
FRACTIONS	±1/64	DR. BY	RCM
DECIMALS	±.010	TR. BY	SCALE NONE
ANGLES	±2	CHK'D BY	DJP
		APP. BY	DJP
		DATE	8/28/06

DIMENSION SHEET FOR CAT. NO. HBL 328DCR REPAIRABLE  NON-REPAIRABLE  B M-10291 2