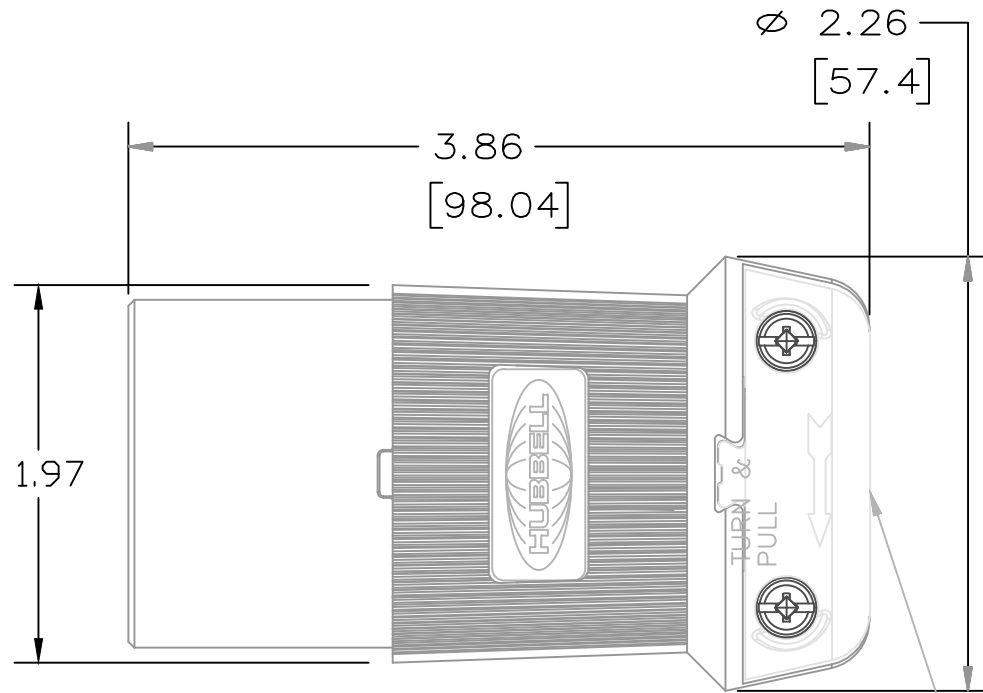
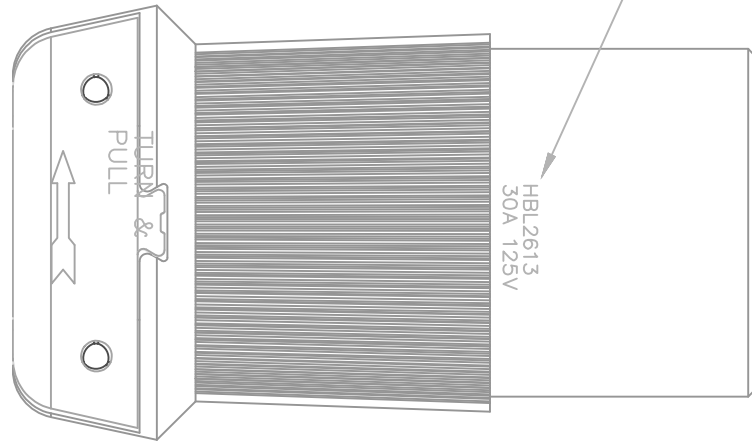


M-7903 10

CAT NO. & RATING PRINTED ON CONTACT BODY, COLOR CODE BY VOLTAGE



CORD CLAMP RANGE
 Ø.360-.930
 [9.14-23.62]

CORD RANGE:
 14/3 - 10/3 TYPE SJ
 16/3 - 8/3 TYPE S

NOTE:
 ALL SCREWS ARE COMBINATION PHILLIPS/SLOTTED/ROBERTSON HEAD.

NEMA NO.	RATING	POLE/WIRE	CAT. NO.	CORROSION** RESISTANT	VOLTAGE COLOR CODE	UL	CSA	FED SPEC
L5-30R	125V	2P/3W GROUNDING	HBL2613 HBL2613F HBL2613BK [C]	HBL26CM13	YELLOW	YES	YES	YES
L6-30R	250V	2P/3W GROUNDING	HBL2623 HBL2623BK [C] HBL2623EBK [C][D]	HBL26CM23	BLUE	YES	YES	YES
L7-30R	277VAC	2P/3W GROUNDING	HBL2633	----	GRAY	YES	YES	YES
L8-30R	480VAC	2P/3W GROUNDING	HBL2643	----	RED	YES	YES	YES
L9-30R	600VAC	2P/3W GROUNDING	HBL2653	----	BLACK	YES	YES	YES
L25-30R	240VAC	2P/3W GROUNDING	HBL2603	----	BLUE	YES	YES	YES

LIST OF PARTS		
DESCRIPTION	MATERIAL	FINISH
COVER	NYLON	BLACK
CORD CLAMP	NYLON	NATURAL
CONTACT BODY	NYLON	NATURAL
RETAINER	POLY	CLEAR
CONTACTS	CARBONATE	
	.031/.040	
	BRASS	
WIRE CLAMP	.080	NICKEL
	CRS	PLATE
#10 TERMINAL SCREWS	BRASS	[A]
#10 GROUND SCREW	BRASS	GREEN
ASSEMBLY FASTENERS	STEEL	ZINC PLATE
DUST SHIELD	TPE	BLACK

- [A] WHITE FINISH ON NEUTRAL CONTACT WHEN USED.
- [B] CM DEVICES SAME AS ABOVE EXCEPT:
 COVER & CORD CLAMP YELLOW
 TERMINAL SCREWS & CONTACT-NICKEL PLATED
 WIRE CLAMPS - BRASS,NICKEL PLATE
 ASSEM FASTENERS - STAINLESS STEEL
- [C] BK DEVICES ARE SAME AS ABOVE EXCEPT ALL BLACK
- [D] E DEVICES ARE PROVIDED WITH CORD CLAMP INSERTS.

SYM	REVISIONS	APP	DATE
10	ADDED L25-30R TO TABLE PER DCN 22357 JZW	TLS	8/29/16
9	DIM. 1.970±.015 [50.00±.38] WAS Ø1.97 [50.04] REPLACED DRAWING FORMAT PER DCN 20773 SPN	PJB	11/4/14
8	ADDED DUST SHIELD TO LIST OF PARTS PER DCN 15675 SPN	DJP	4/22/09
7	ADDED "HBL2623EBK" & "D" TO NEW PARTS LIST FROM DCN 11902 RCM	JPP	8/1/07
6	ADDED CORD RANGE & DIAMETER RANGE TO "CORD CLAMP" CALLOUT PER DCN 11902 RCM	JPP	1/8/05

THE DESIGN AND DIMENSIONS OF THE PRODUCT SHOWN ON THIS DRAWING ARE SUBJECT TO CHANGE WITHOUT NOTICE

TITLE
 30A 3-WIRE TWIST-LOCK CONNECTOR

TOLERANCES UNLESS OTHERWISE SPECIFIED .XX = ±.01 .XXX = ±.005 ANGLES = ±2°	WIRING DEVICE-KELLEMS HUBBELL INCORPORATED SHELTON, CT
DR. BY B.C.	APP. BY ZIMM
TR. BY	SCALE NONE
CHK. BY ZIMM	DATE 3/2/98