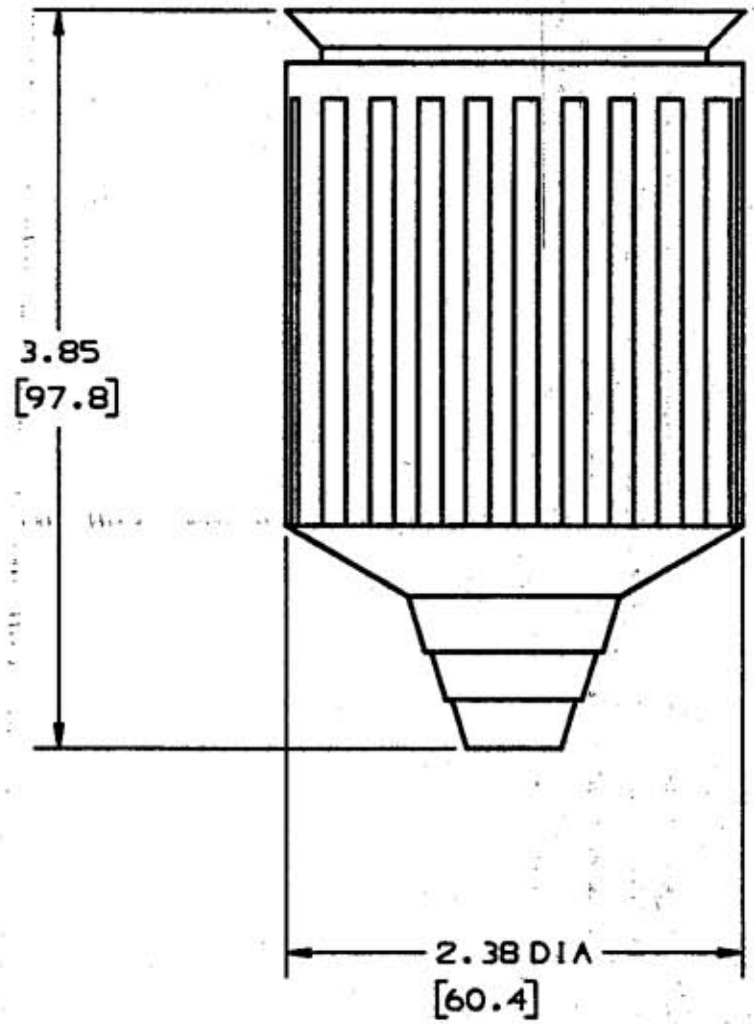


DR. NO. M-7436
SHEET 1 OF 1

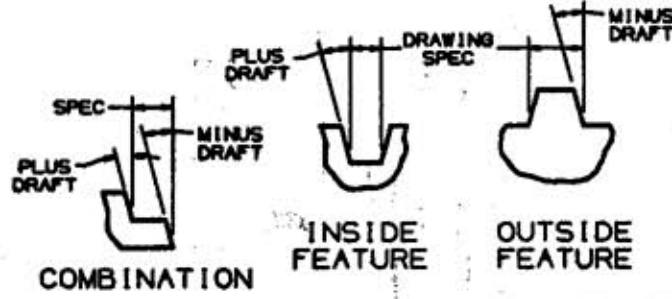


SUB	1

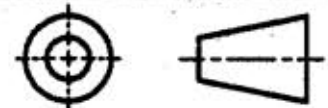
REVISIONS
CH 7445 DMS 5-15-96
NEW RELEASE PER
DCN 4201 - JML/TOM

DRAFT SPECIFICATIONS

DRAFT - X° MAX DRAFT UNLESS OTHERWISE SPECIFIED, INTERPRETED AS FOLLOWS:



"IN ACCEPTING OUR DRAWINGS OR BLUEPRINTS FOR QUOTATION OR OTHER PURPOSES, YOU AGREE NOT TO DISCLOSE TO OTHERS THE IDEAS, INFORMATION OR DESIGNS THEREIN SHOWN, AND THAT YOU WILL MAKE NO USE OF OUR DRAWINGS OR BLUEPRINTS OR OF THE IDEAS, INFORMATION OR DESIGNS THEREIN SHOWN WITHOUT OUR PERMISSION."



ISO STANDARD FOR 3rd ANGLE PROJECTION

DO NOT SCALE DRAWING USE DIMENSIONS ONLY

TITLE MTG + OUTLINE CAT: HBL102	
TOLERANCES UNLESS OTHERWISE SPECIFIED .01 ± .01 .001 ± .005 .0001 ± .0025 ANGLE TOL. ± 1°	WIRING DEVICE DIVISION HUBBELL INCORPORATED BRIDGEPORT, CT.
PROJECT NO. 1250	DR. BY DAB APP. BY CP TR. BY SCALE CHK. BY CIP. DATE 5-6-96
DR. NO. M-7436	
SHEET 1 OF 1	