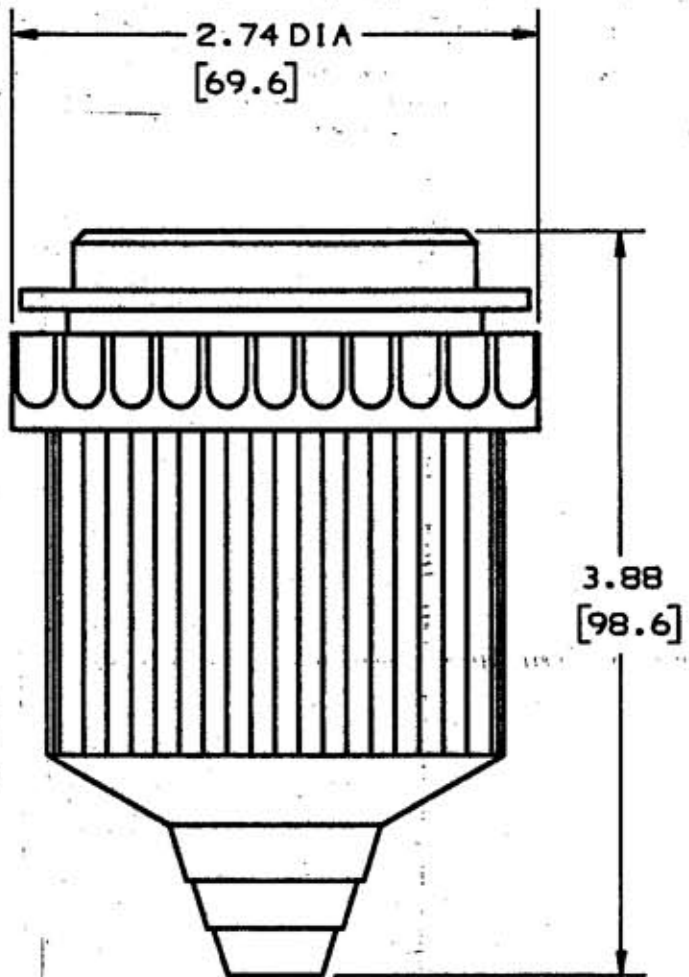


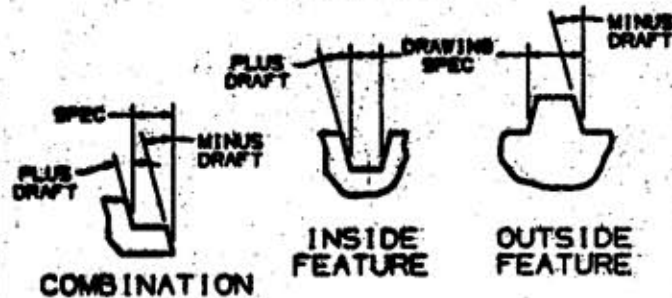
M-7438



REVISIONS  
1  
M-7438 010 015 96  
NEW BRASS PER  
DCN 4201 - STM/TTC/M

**DRAFT SPECIFICATIONS**

DRAFT - X° MAX DRAFT UNLESS OTHERWISE SPECIFIED, INTERPRETED AS FOLLOWS:



"IN ACCEPTING OUR DRAWINGS OR BLUEPRINTS FOR QUOTATION OR OTHER PURPOSES, YOU AGREE NOT TO DISCLOSE TO OTHERS THE IDEAS, INFORMATION OR DESIGNS THEREIN SHOWN, AND THAT YOU WILL MAKE NO USE OF OUR DRAWINGS OR BLUEPRINTS OR OF THE IDEAS, INFORMATION OR DESIGNS THEREIN SHOWN WITHOUT OUR PERMISSION."



ISO STANDARD FOR 3rd ANGLE PROJECTION

DO NOT SCALE DRAWING USE DIMENSIONS ONLY

TITLE MTG & OUTLINE CAT: HBL103R	
TOLERANCES UNLESS OTHERWISE SPECIFIED .XX ± .01 .XXX ± .005 .XXXX ± .0025 ANGLE TOL. ± 1°	WIRING DEVICE DIVISION HUBBELL INCORPORATED BRIDGEPORT, CT.
PROJECT NO. 1250	DR. BY <i>DAB</i> APP. BY <i>CP</i> TR. BY _____ SCALE _____ CHK. BY <i>C.P.</i> DATE 5-6-96
DR. NO. M-7438	
SHEET 1 OF 1	