

# M-7802 3

## LIST OF PARTS

DESCRIPTION	MATERIAL	FINISH
COVER	WR POLYMER	
THREADED BODY	POLYESTER	
INTERIOR	NYLON	
BLADES	BRASS	NICKEL PLATE
INTERIOR SCREWS	STAINLESS STL	
MOUNTING SCREWS	STAINLESS STL	
STRAIN RELIEF	NYLON	
STRAIN RELIEF SCREWS	STAINLESS STL	
GASKETS	FOAM RUBBER	

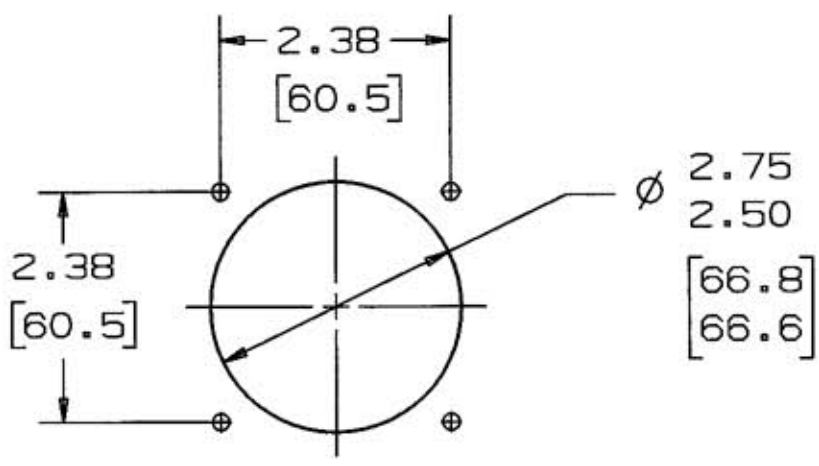
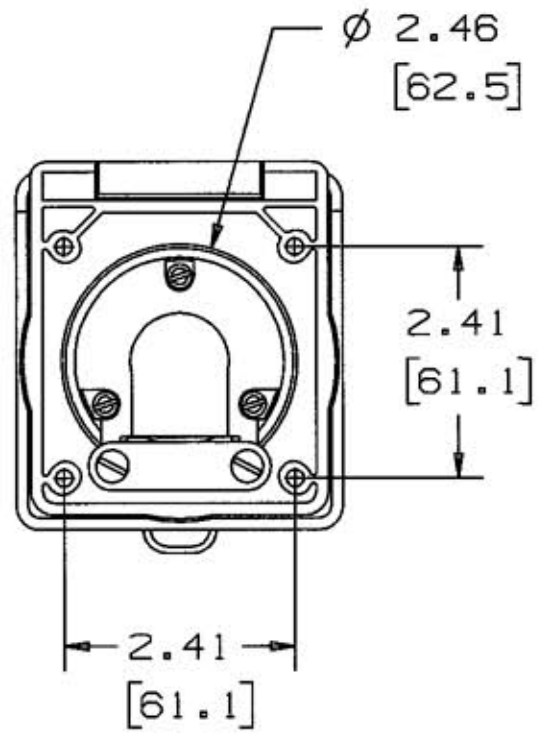
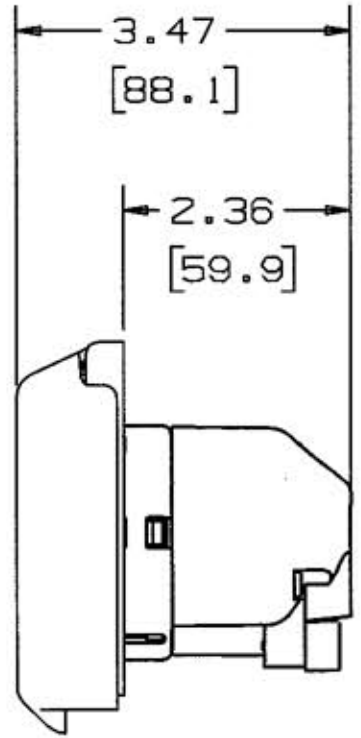
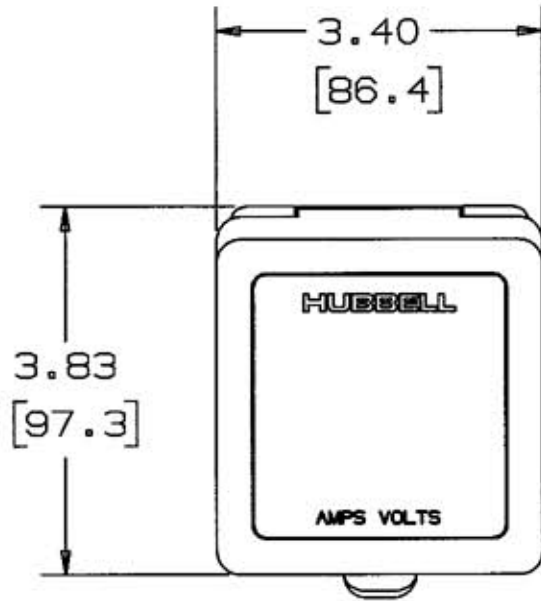
DIMENSION SHEET FOR CMT. NO. SEE TABLE

REPAIRABLE  NON-REPAIRABLE

**B**

**M-7802**

3



CUTOUT OPENING

NOTE: INCHES [ MM ]

CATALOG NO.	AMPERAGE	VOLTAGE
HBL303NM	30A	125V
HBL303NMBL	30A	125V
HBL316NM	16A	230V
HBL332NM	32A	230V
HBL316NML	16A	230V
HBL303NML	30A	125V

SYM	REVISIONS	APP	DATE
3	ADDED MM TO DIMS.; REMOVED TOL FROM DIMS; ADDED 3.47 DIM.; ADDED HBL316NML & HBL303NML TO TABLE PER DCN #8685 RCM	TCM	11/19/01
2	ADDED 3 PL TOL, COUTOUT VIEW & TABLE PER DCN #7772. AMZ	DB	8/21/00
1	RELEASED PER DCN 5337	WUH	11/14/97

THE DESIGN AND DIMENSIONS OF THE PRODUCT SHOWN ON THIS DRAWING ARE SUBJECT TO CHANGE WITHOUT NOTICE

TITLE NON-METALLIC SHORE POWER INLET

TOLERANCES UNLESS OTHERWISE SPECIFIED FRACTIONS ±1/64 DECIMALS ±.005 ANGLES ±2'	WIRING DEVICE-KELLEMS HUBBELL INCORPORATED BRIDGEPORT, CT	
	DR. BY SRE	APP. BY WUH
	TR. BY	SCALE 1/2
	CHK'D BY WUH	DATE 9/18/97