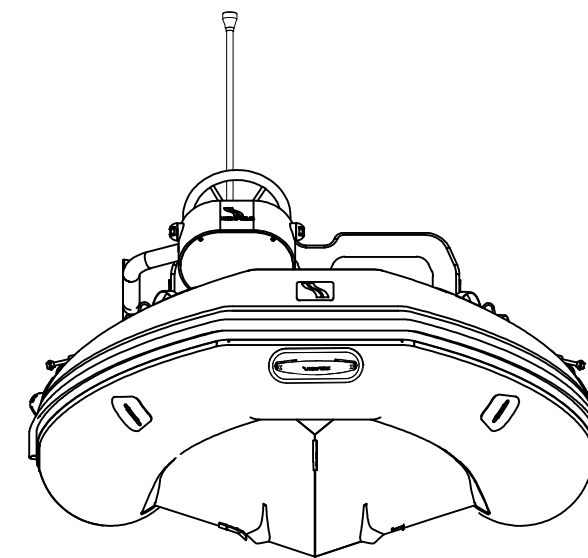
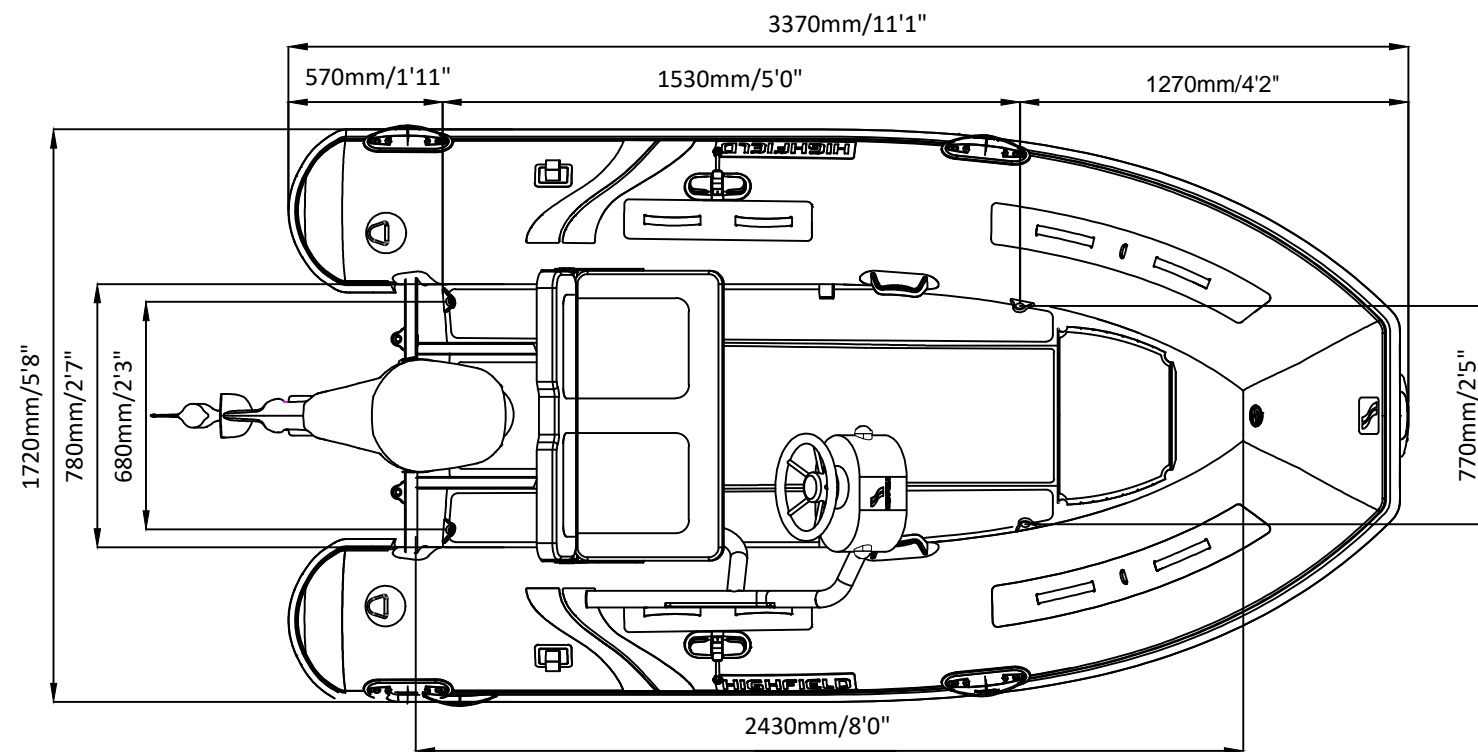
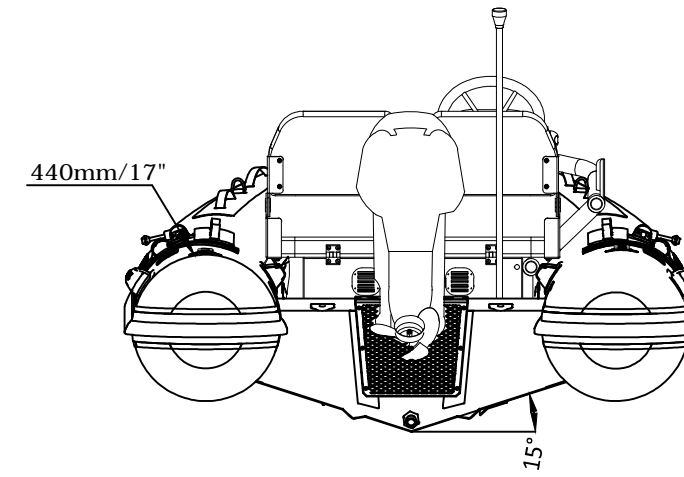
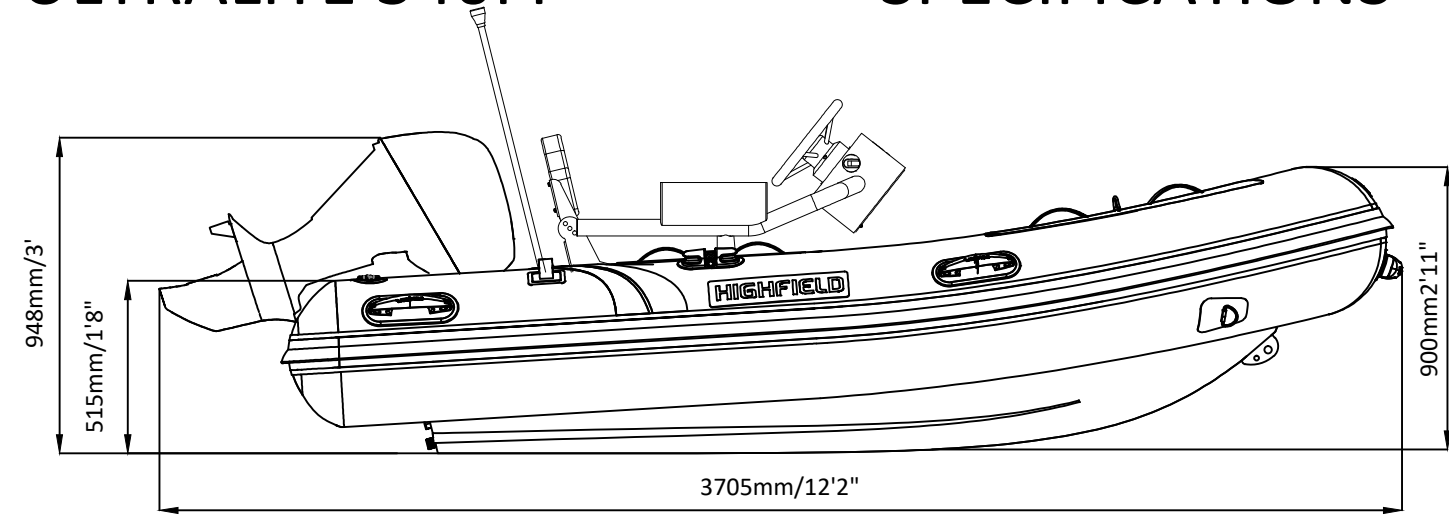


ULTRALITE 340FF

SPECIFICATIONS



SPECIFICATIONS AND MAXIMUM CAPACITIES (Subject to change without notice. Tolerances: Dimensions ±2.5% Weight ±5%)

MODEL	ISO 6185 PART	ISO 6185			#			Shaft	Outboard Engine				Molded seat		Oars		FCT		Fuel tank Capacity		Wet Weight (Approximate) 20HP (Tohatsu) +Fuel		AIR CHAMBERS				
			KG	LB		KG	LB		KG	LB	KG	LB	KG	LB	L	GAL	KG	LB	PSI	BAR							
									KW	HP	KG	LB	KG	LB	KG	LB	KG	LB									
UL340FF	2	C	663	1462	5+1	413	909	S	14.92	20	104.5	230	61	134	3	6.6	1.5	3.3	36	79	/	/	175	385	3	3.63	0.25

Weight: boat only.

2022V1