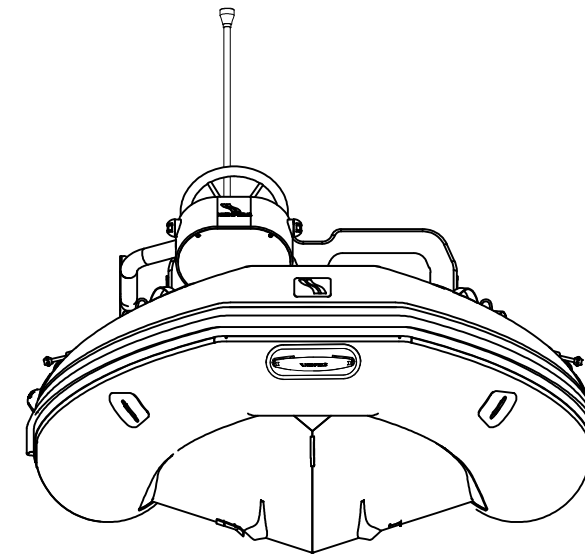
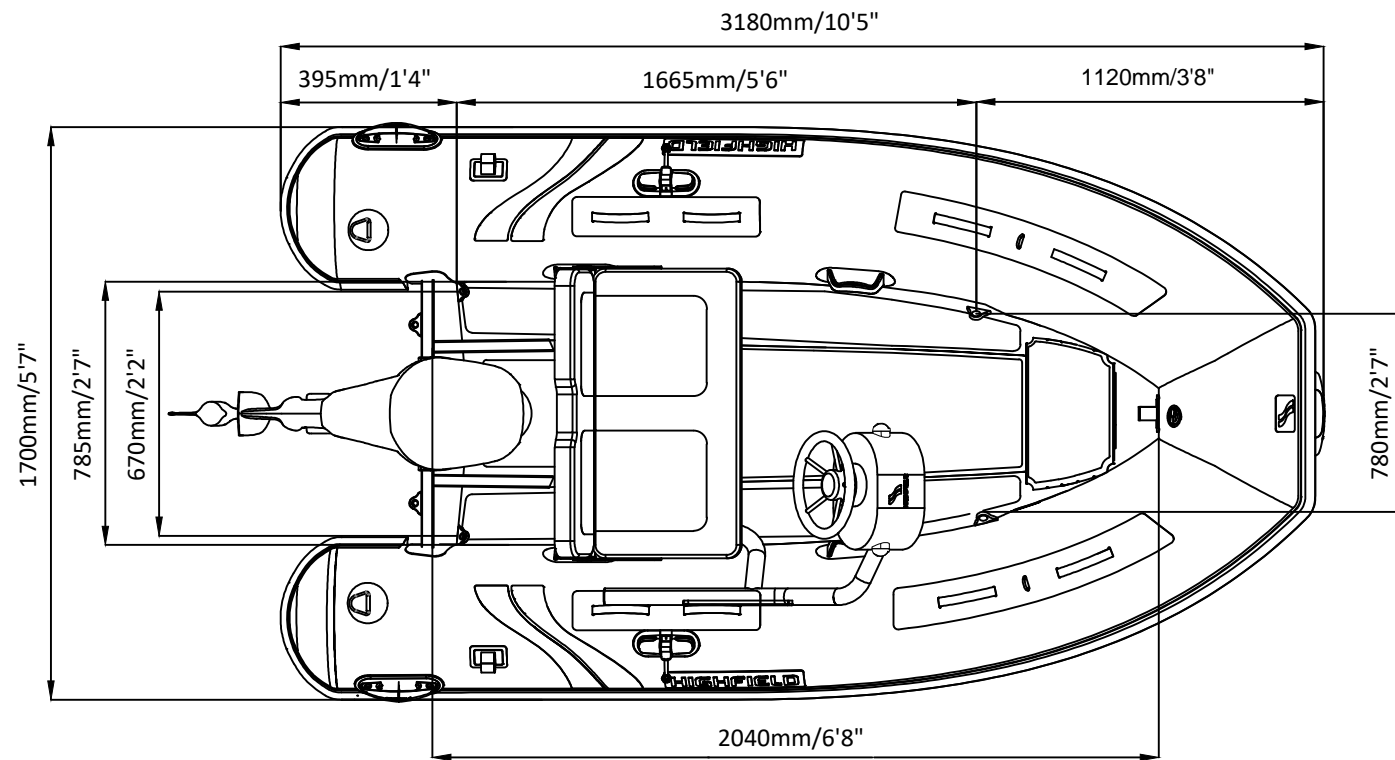
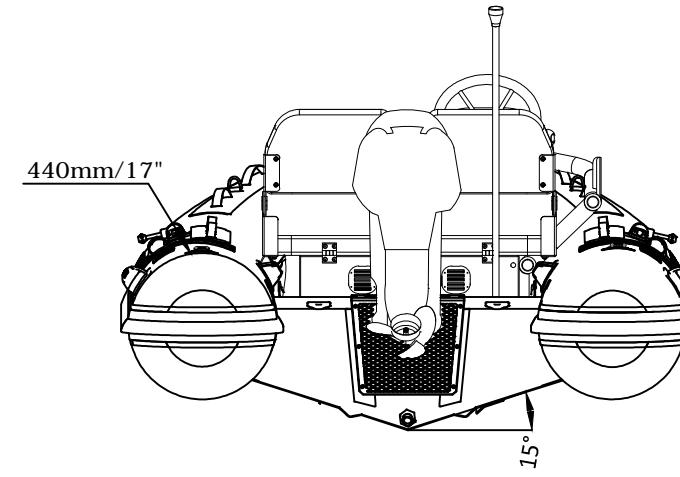
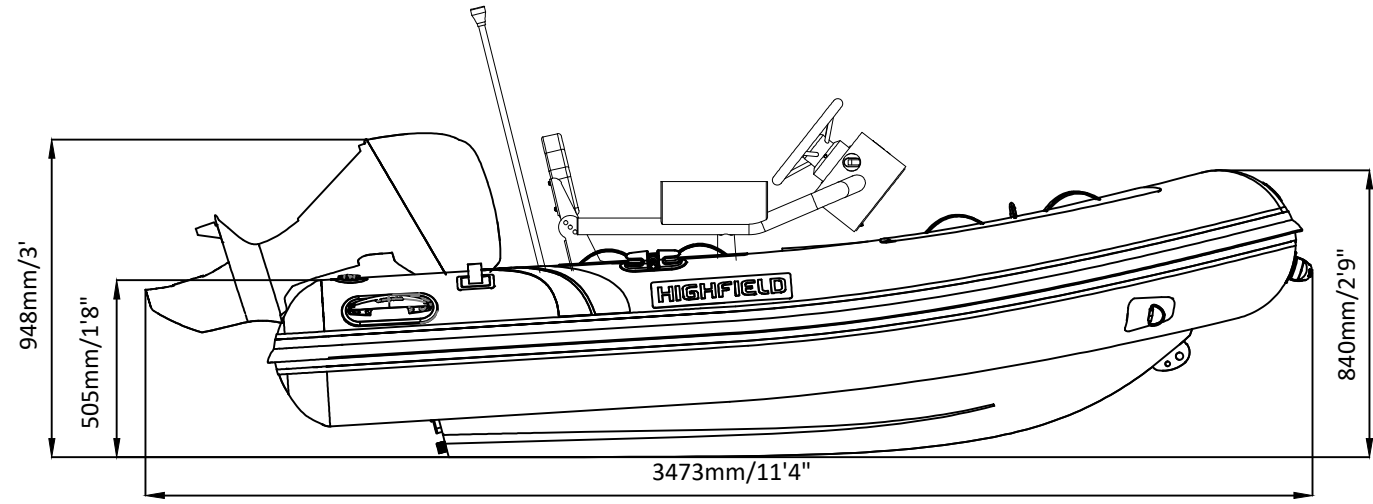


ULTRALITE 310FF

SPECIFICATIONS



SPECIFICATIONS AND MAXIMUM CAPACITIES (Subject to change without notice. Tolerances: Dimensions ±2.5% Weight ±5%)

MODEL	ISO 6185 PART	ISO 6185			#			Shaft	Outboard Engine		Molded seat		Oars		FCT		Fuel tank Capacity		Wet Weight (Approximate) 15HP (Tohatsu) +Fuel		AIR CHAMBERS						
			KG	LB		KG	LB		KG	LB	KG	LB	KG	LB	L	GAL	KG	LB	PSI	BAR							
			Max power KW	Max weight HP		KG	LB		KG	LB	KG	LB	KG	LB	KG	LB	KG	LB	KG	LB		PSI	BAR				
UL310FF	2	C	585	1290	5	375	827	S	11.19	15	60	132	53.5	118	3	6.6	1.5	3.3	36	79	/	/	167.5	369	3	3.63	0.25

Weight: boat only.

2022V1