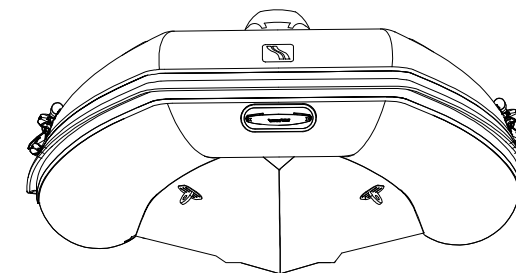
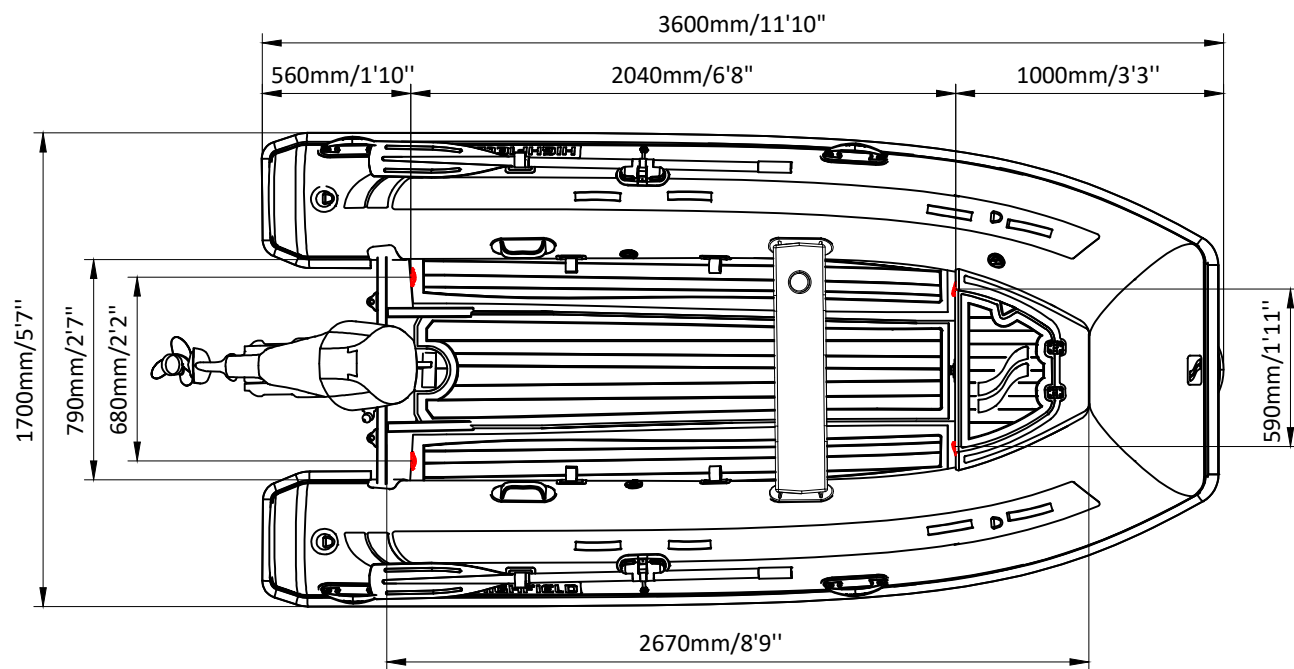
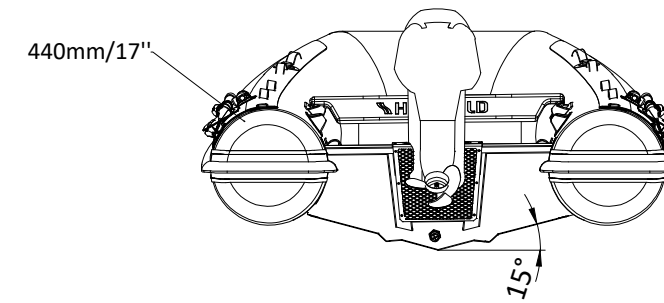
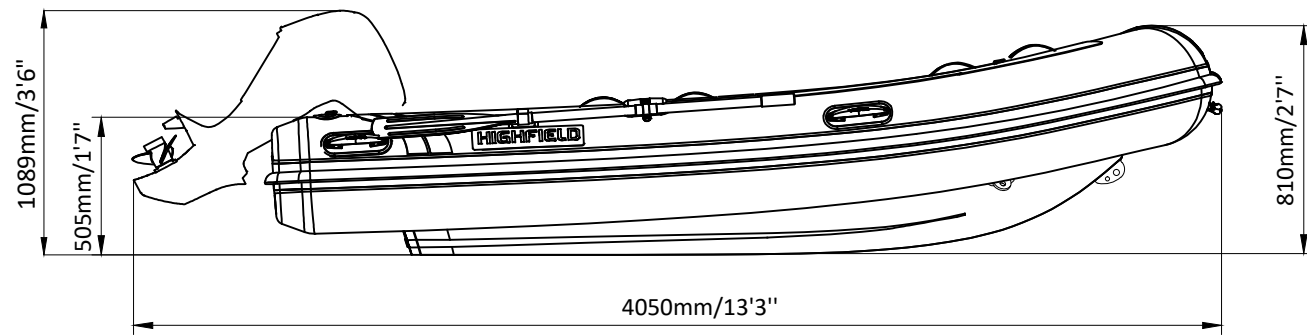


CLASSIC 360

SPECIFICATIONS



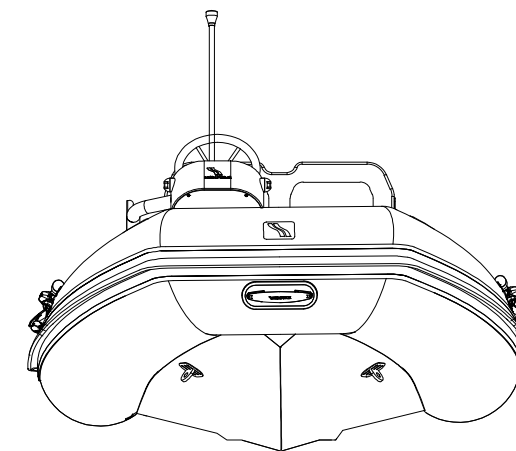
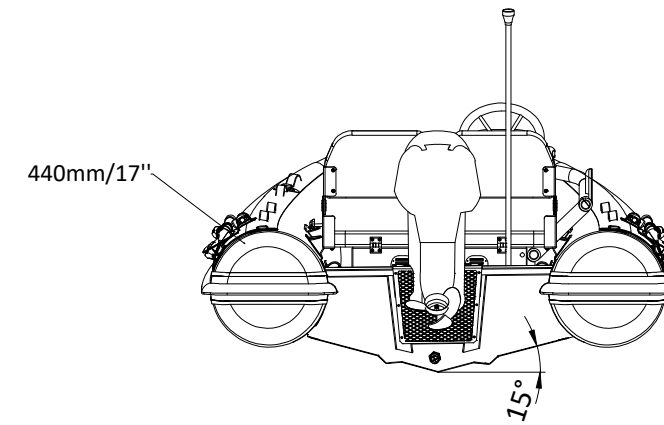
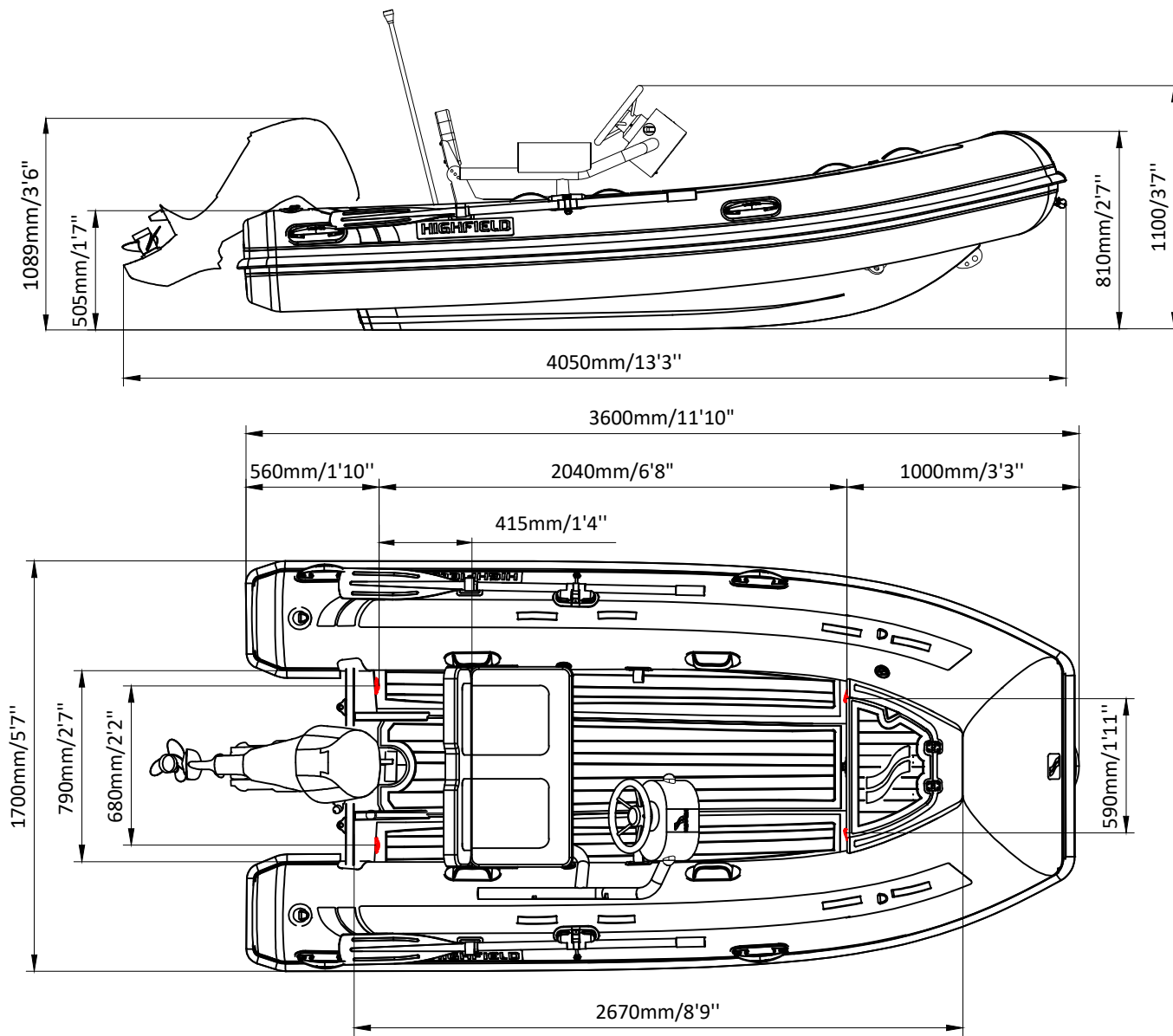
SPECIFICATIONS AND MAXIMUM CAPACITIES (Subject to change without notice. Tolerances: dimensions $\pm 2.5\%$, weights $\pm 5\%$)

MODEL	ISO 6185 PART	ISO 6185	Passengers		#	Weight		Shaft	Outboard Engine		Molded seat		Oars		Fuel tank Capacity		Wet Weight (Approximate) 30HP (22.38KW)		AIR CHAMBERS	Pressure							
			KG	LB		KG	LB		Max power	Max weight	KG	LB	KG	LB	KG	LB	L	GAL		KG	LB	PSI	BAR				
									KW	HP	KG	LB	KG	LB	KG	LB	/	/		/	/						
CL360	3	C	561	1237	6	450	992	S	22.38	30	124.1	274	75	165	3	6.6	1.5	3.3	/	/	/	/	204	450	3	3.63	0.25

Weight: boat only.

CLASSIC 360

SPECIFICATIONS



SPECIFICATIONS AND MAXIMUM CAPACITIES (Subject to change without notice. Tolerances: dimensions ±2.5%, weights ±5%)

MODEL	ISO 6185 PART	ISO 6185	Passengers		#	Weight		Shaft	Outboard Engine		Fuel Capacity		FCT		Molded seat		Oars		Fuel tank Capacity		Wet Weight (Approximate) 30HP (22.38KW)		AIR CHAMBERS	Pressure			
			KG	LB		KG	LB		KG	LB	KG	LB	KG	LB	KG	LB	KG	LB	KG	LB	KG	LB		KG	LB	PSI	BAR
CL360	3	C	561	1237	6	450	992	S	22.38	30	124.1	274	75	165	36	79	3	6.6	1.5	3.3	/	/	240	529	3	3.63	0.25

Weight: boat only.