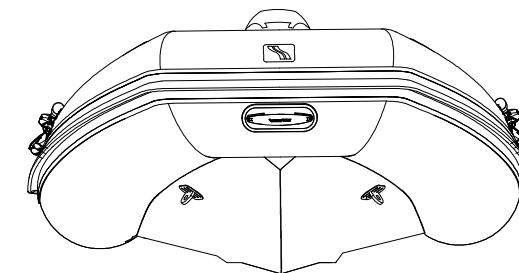
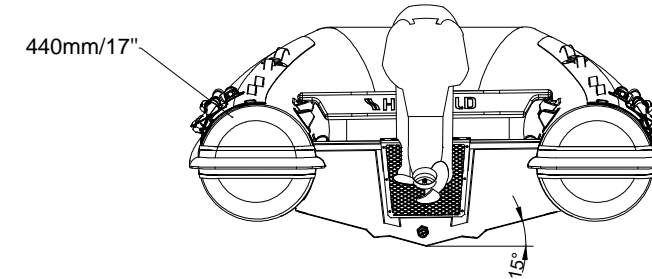
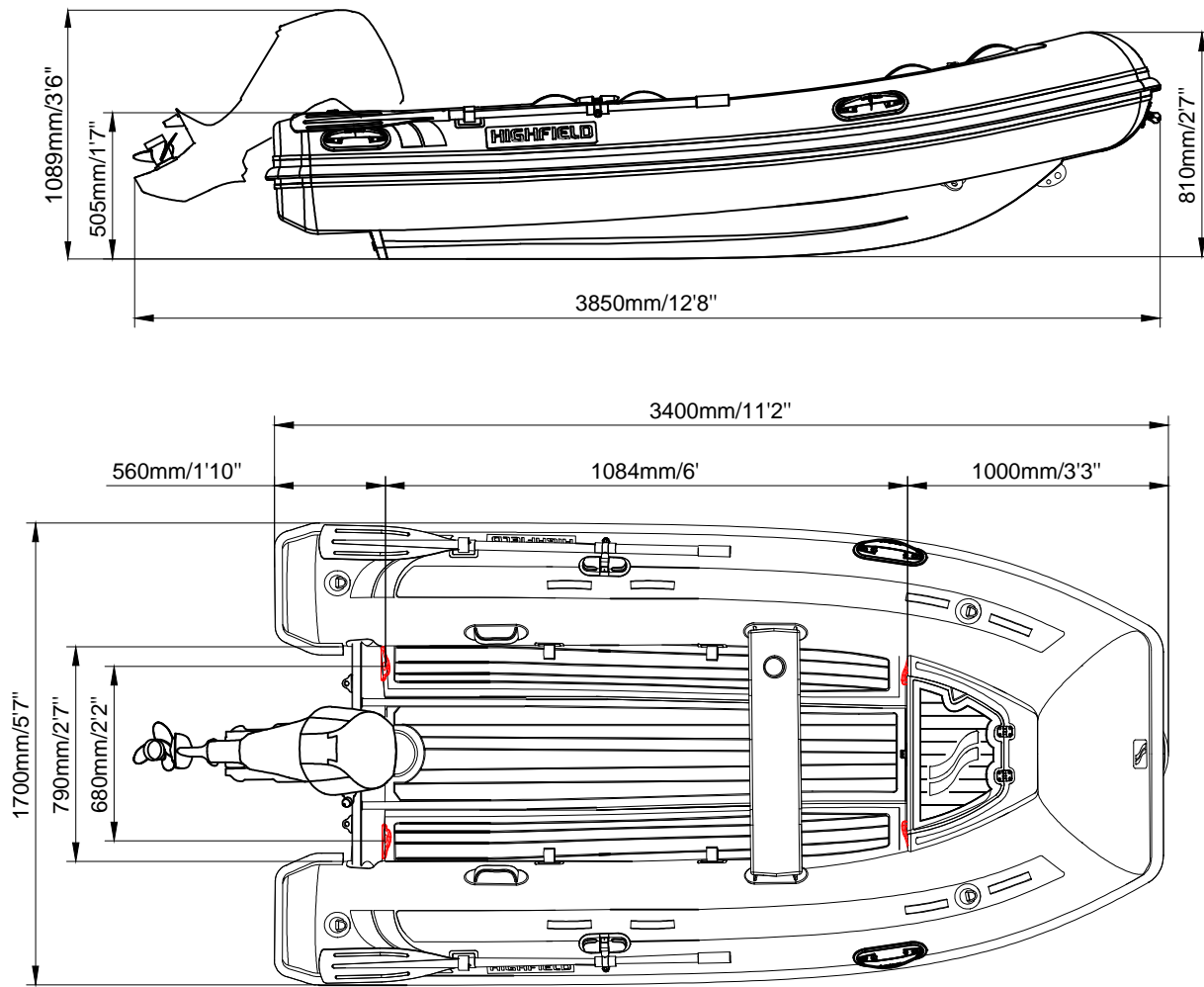


# CLASSIC 340

(Short Shaft)

# SPECIFICATIONS



SPECIFICATIONS AND MAXIMUM CAPACITIES (Subject to change without notice. Tolerances: dimensions  $\pm 2.5\%$ , weights  $\pm 5\%$ ) Note: red means lifting eyes.

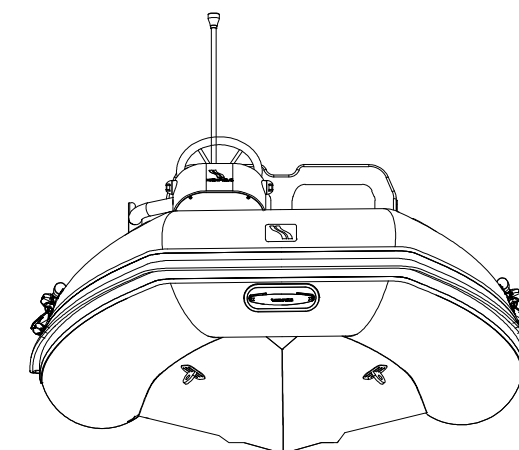
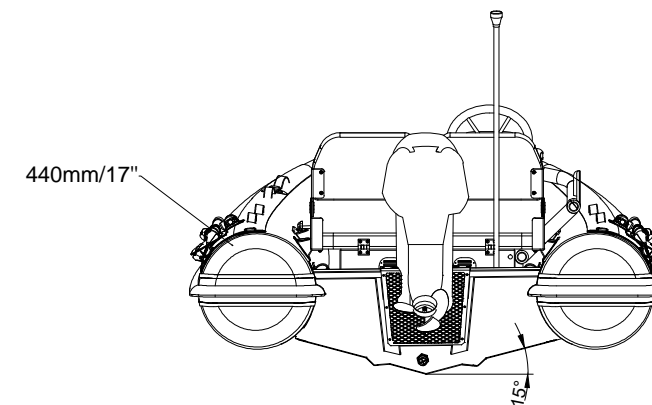
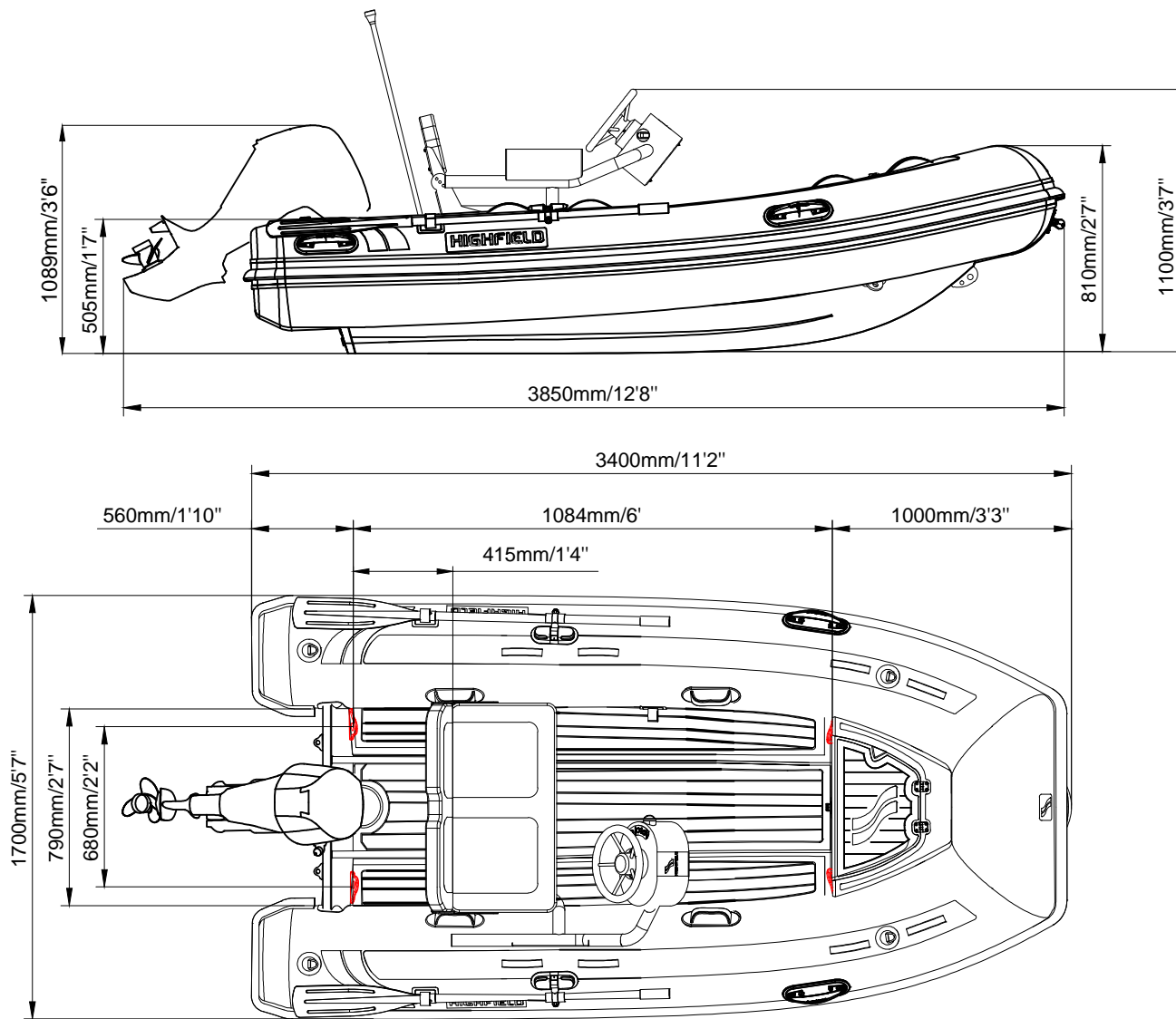
MODEL	ISO 6185 PART	ISO 6185	Crew		#	Weight		Shaft	Outboard Engine		Molded seat		Oars		/		Fuel tank Capacity		Wet Weight (Approximate) 20HP (14.92KW)		AIR CHAMBERS	Pressure					
			KG	LB		KG	LB		KG	LB	KG	LB	KG	LB	KG	LB	L	GAL	KG	LB		PSI	BAR				
CL340	3	C	551	1215	6	450	992	S	18.65	25	104.5	230	71	157	3	6.6	1.5	3.3	/	/	/	/	180	397	3	3.63	0.25

Weight: boat only.

# CLASSIC 340

(Short Shaft)

# SPECIFICATIONS



SPECIFICATIONS AND MAXIMUM CAPACITIES (Subject to change without notice. Tolerances: dimensions  $\pm 2.5\%$ , weights  $\pm 5\%$ ) Note: red means lifting eyes.

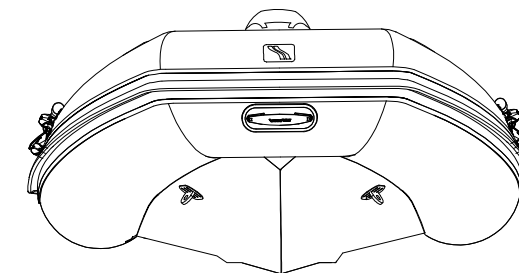
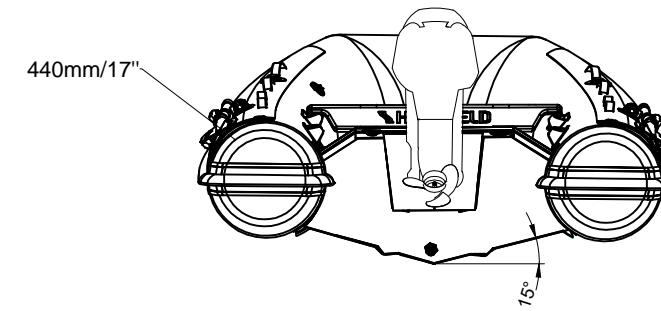
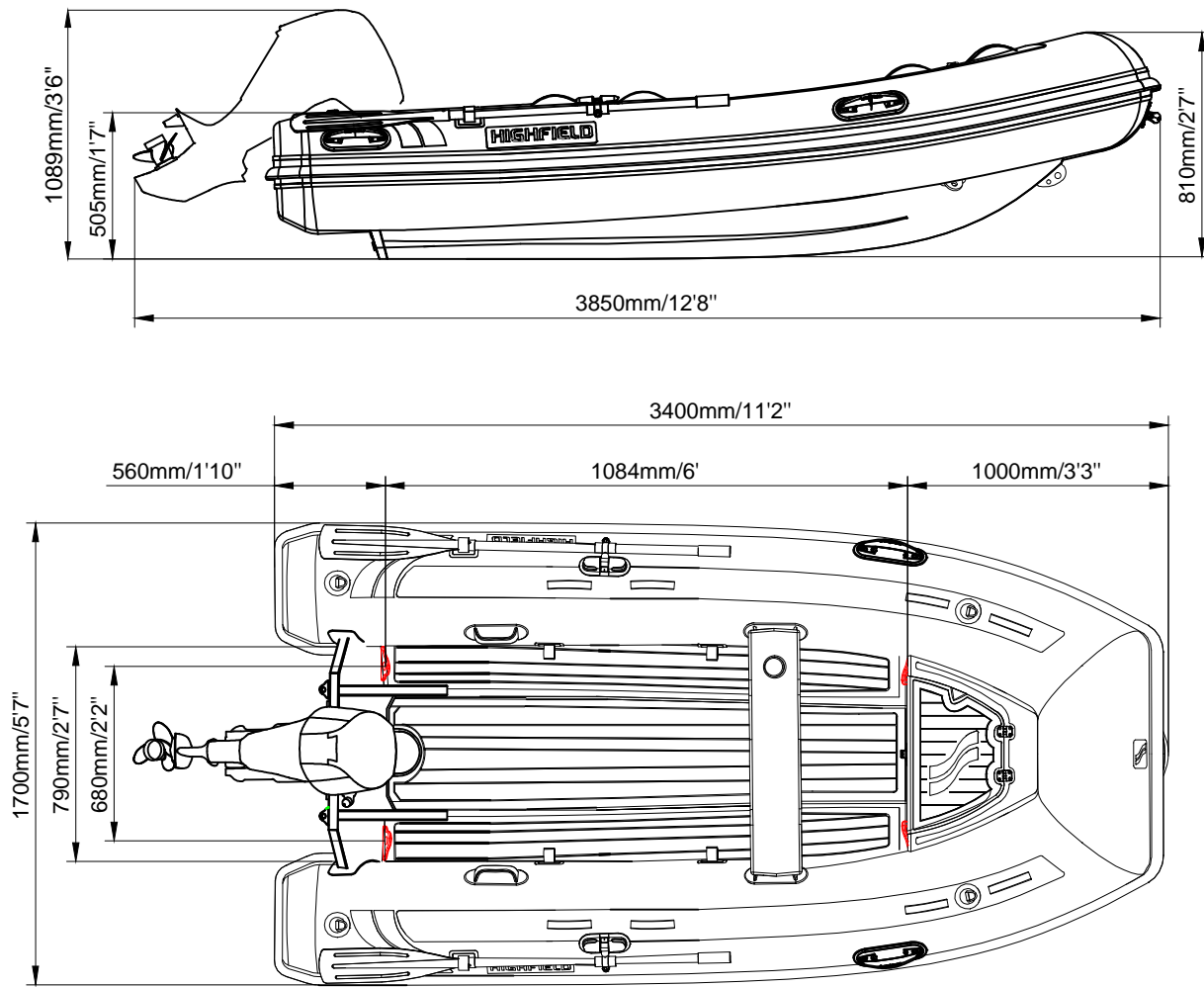
MODEL	ISO 6185 PART	ISO 6185	Crew		#	Weight		Shaft	Outboard Engine		FCT		Molded seat		Oars		Fuel tank Capacity		Wet Weight (Approximate) 20HP (14.92KW)		AIR CHAMBERS	Pressure					
			KG	LB		KG	LB		KG	LB	KG	LB	KG	LB	KG	LB	L	GAL	KG	LB		PSI	BAR				
			Max power KW	Max power HP		Max weight KG	Max weight LB		KG	LB	KG	LB	KG	LB	KG	LB	L	GAL	KG	LB		PSI	BAR				
CL340	3	C	551	1215	6	450	992	S	18.65	25	104.5	230	71	157	36	79	3	6.6	1.5	3.3	/	/	216	476	3	3.63	0.25

Weight: boat only.

# CLASSIC 340 LS

(Long Shaft)

# SPECIFICATIONS



SPECIFICATIONS AND MAXIMUM CAPACITIES (Subject to change without notice. Tolerances: dimensions  $\pm 2.5\%$ , weights  $\pm 5\%$ ) Note: red means lifting eyes.

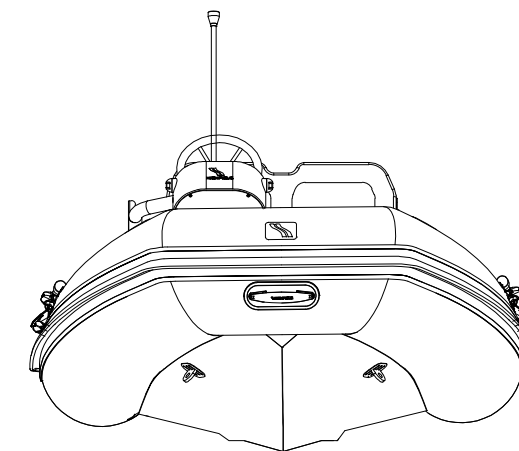
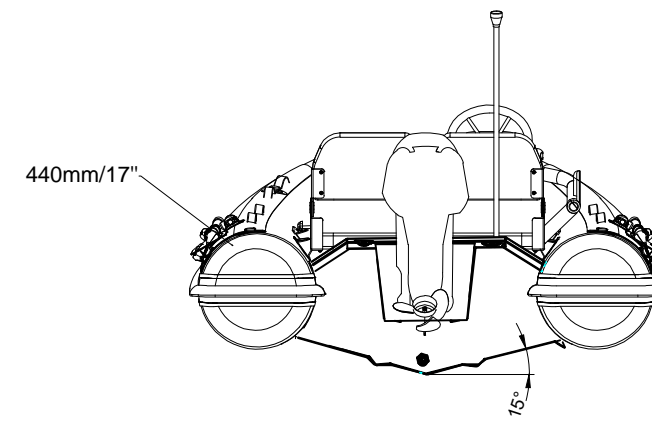
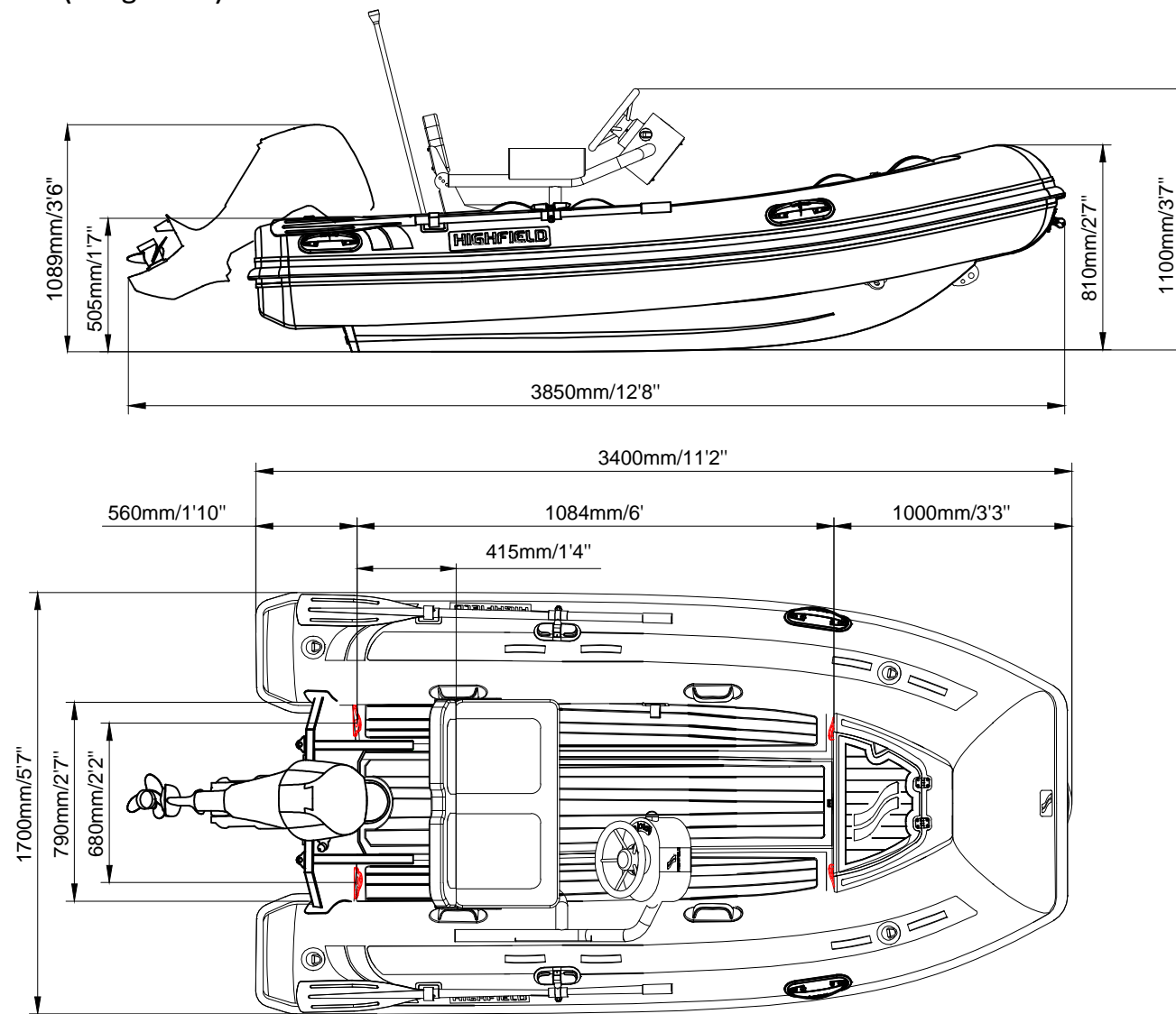
MODEL	ISO 6185 PART	ISO 6185	Crew		#	Weight		Shaft	Outboard Engine		Molded seat		Oars		/		Fuel tank Capacity		Wet Weight (Approximate) 20HP (14.92KW)		AIR CHAMBERS	Pressure					
			KG	LB		KG	LB		KG	LB	KG	LB	KG	LB	KG	LB	L	GAL	KG	LB		PSI	BAR				
			Max power KW	Max weight HP		KG	LB		KG	LB	KG	LB	KG	LB	/	/	L	GAL	KG	LB		PSI	BAR				
CL340 LS	3	C	551	1215	6	450	992	S	18.65	25	104.5	230	71	157	3	6.6	1.5	3.3	/	/	/	/	180	397	3	3.63	0.25

Weight: boat only.

# CLASSIC 340 LS

(Long Shaft)

# SPECIFICATIONS



SPECIFICATIONS AND MAXIMUM CAPACITIES (Subject to change without notice. Tolerances: dimensions  $\pm 2.5\%$ , weights  $\pm 5\%$ ) Note: red means lifting eyes.

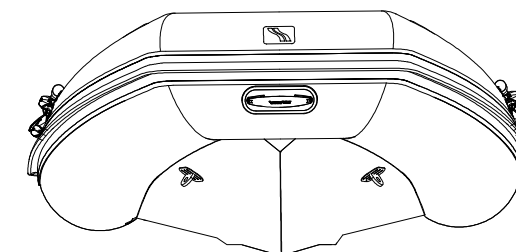
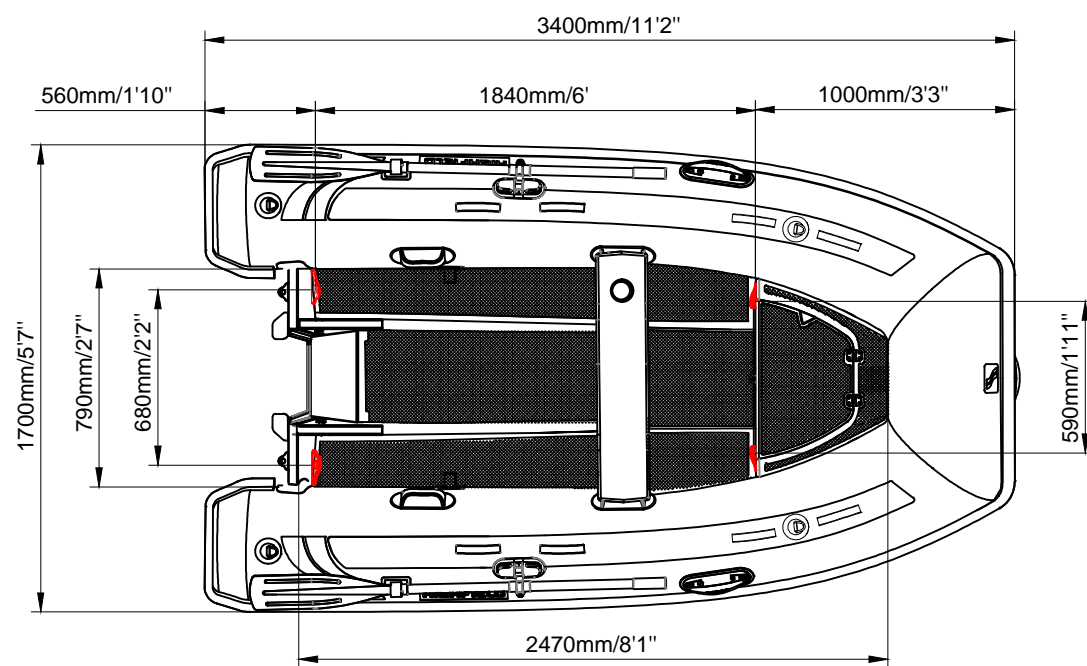
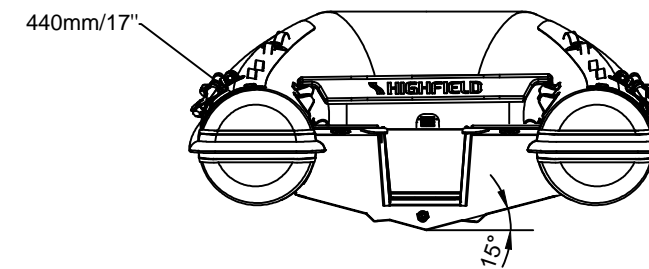
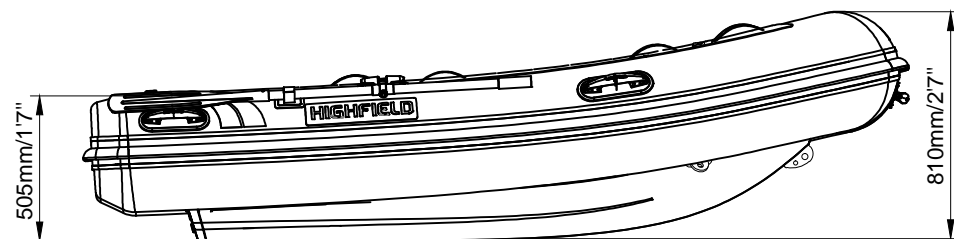
MODEL	ISO 6185 PART	ISO 6185	Crew		#	Weight		Shaft	Outboard Engine		FCT		Molded seat		Oars		Fuel tank Capacity		Wet Weight (Approximate) 20HP (14.92KW)		AIR CHAMBERS	Pressure					
			KG	LB		KG	LB		KG	LB	KG	LB	KG	LB	KG	LB	L	GAL	KG	LB		PSI	BAR				
			Max power KW	Max power HP		Max weight KG	Max weight LB		KG	LB	KG	LB	KG	LB	KG	LB	L	GAL	KG	LB		PSI	BAR				
CL340 LS	3	C	551	1215	6	450	992	S	18.65	25	104.5	230	71	157	36	79	3	6.6	1.5	3.3	/	/	216	476	3	3.63	0.25

Weight: boat only.

# CLASSIC 340 FT

(Folding Transom)

# SPECIFICATIONS



SPECIFICATIONS AND MAXIMUM CAPACITIES (Subject to change without notice. Tolerances: dimensions  $\pm 2.5\%$ , weights  $\pm 5\%$ ) Note: red means lifting eyes.

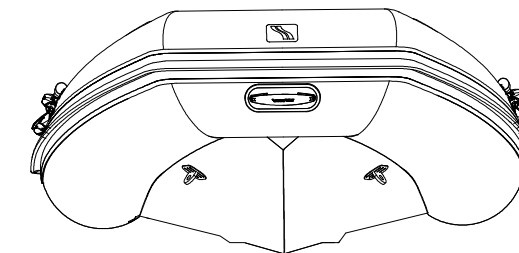
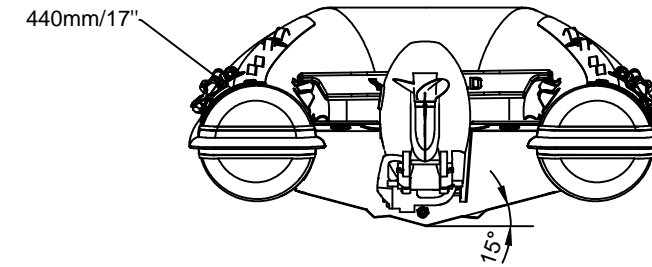
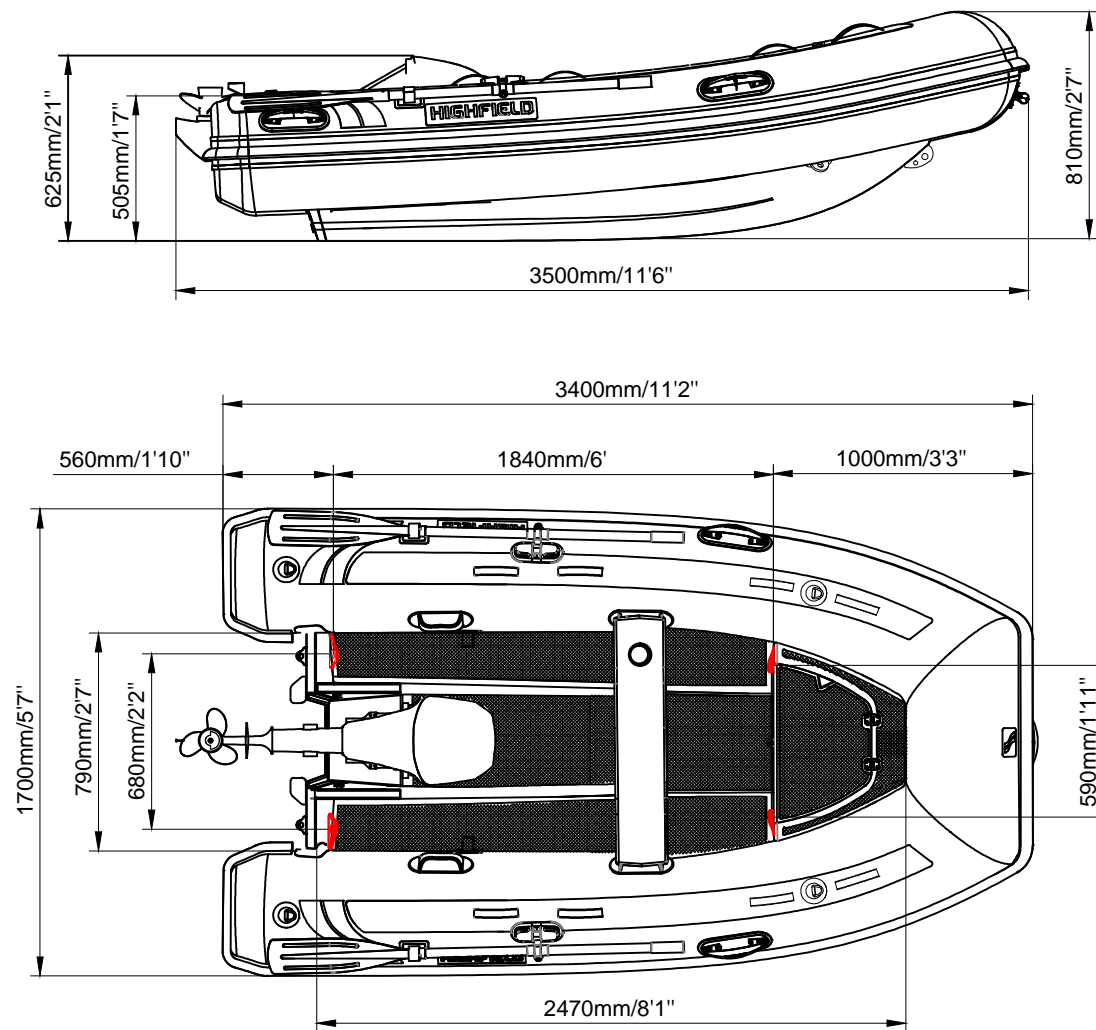
MODEL	ISO 6185 PART	ISO 6185			#			Shaft	Outboard Engine				Molded seat		Oars		/		Fuel tank Capacity		Wet Weight (Approximate) 20HP (14.92KW)		AIR CHAMBERS				
			KG	LB		KG	LB		KW	HP	KG	LB	KG	LB	KG	LB	/	/	L	GAL	KG	LB		PSI	BAR		
CL340FT	3	C	551	1215	6	450	992	S	18.65	25	104.5	230	71	157	3	6.6	1.5	3.3	/	/	/	/	180	397	3	3.63	0.25

Weight: boat only.

# CLASSIC 340 FT

(Folding Transom)

# SPECIFICATIONS



SPECIFICATIONS AND MAXIMUM CAPACITIES (Subject to change without notice. Tolerances: dimensions  $\pm 2.5\%$ , weights  $\pm 5\%$ ) Note: red means lifting eyes.

MODEL	ISO 6185 PART	ISO 6185	Person		#	Person		Shaft	Outboard Engine				Molded seat		Oars		/		Fuel tank Capacity		Wet Weight (Approximate) 20HP (14.92KW)		AIR CHAMBERS	Pressure			
			KG	LB		KG	LB		KW	HP	KG	LB	KG	LB	KG	LB	/	/	L	GAL	KG	LB		PSI	BAR		
			KG	LB		KG	LB																			KG	LB
CL340FT	3	C	551	1215	6	450	992	S	18.65	25	104.5	230	71	157	3	6.6	1.5	3.3	/	/	/	/	180	397	3	3.63	0.25

Weight: boat only.