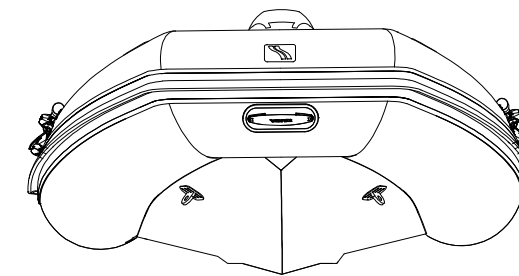
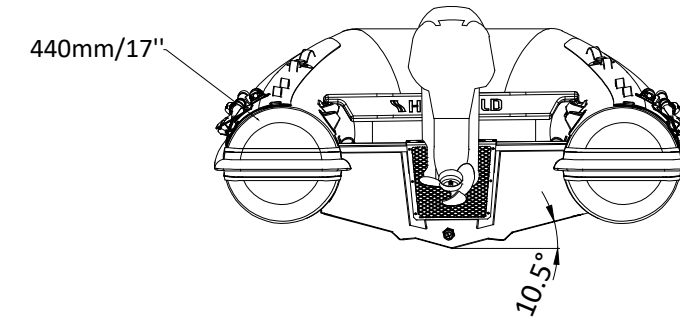
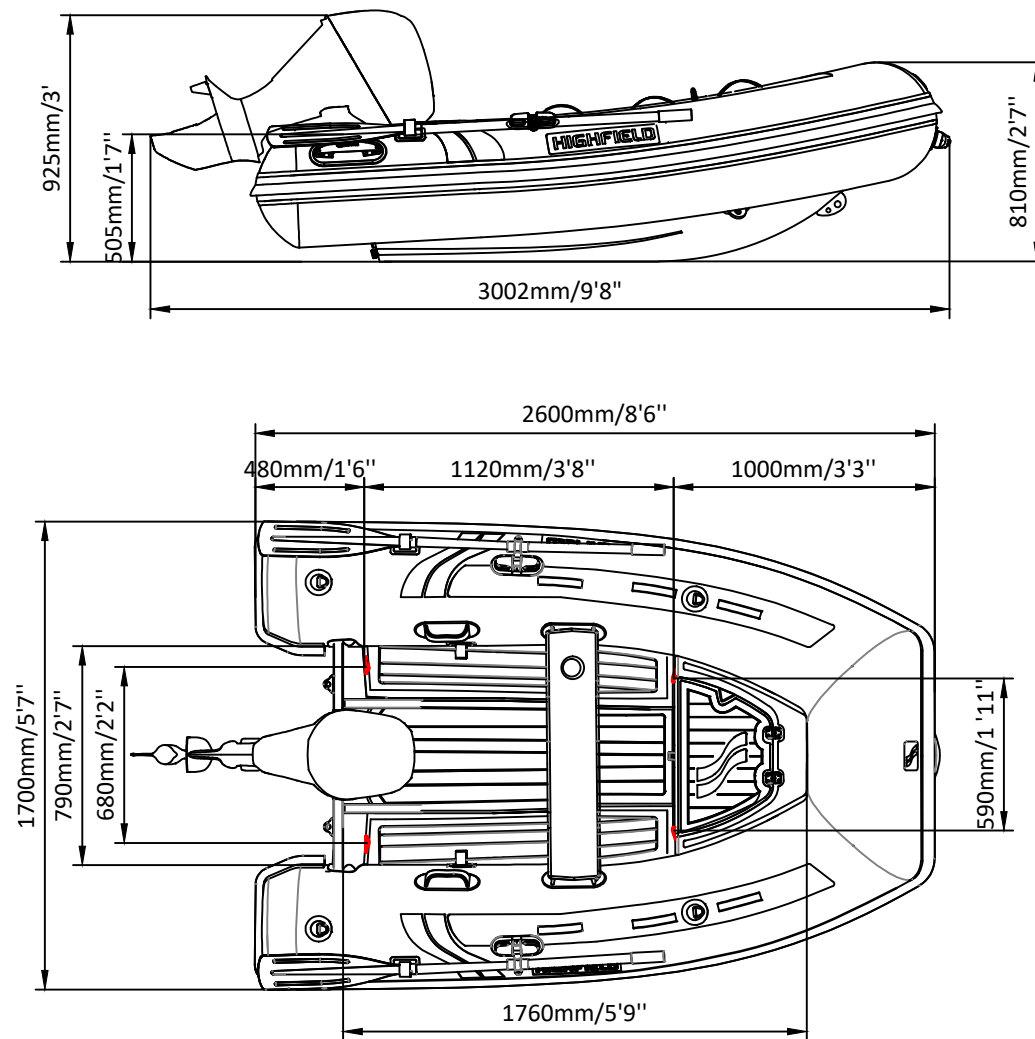


CLASSIC 260

SPECIFICATIONS



SPECIFICATIONS AND MAXIMUM CAPACITIES (Subject to change without notice. Tolerances: Dimensions ±2.5% Weight ±5%)

MODEL	ISO 6185 PART	ISO 6185			#			Shaft	Outboard Engine				Molded seat		Oars		/		Fuel tank Capacity		Wet Weight (Approximate) 15HP (11.19KW)		AIR CHAMBERS				
			KG	LB		KG	LB		KG	LB	KG	LB	KG	LB	KG	LB	L	GAL	KG	LB	PSI	BAR					
CL260	2	C	360	794	3+1	263	579	S	11.19	15	60	132	54	119	3	6.6	1.5	3.3	/	/	/	/	118	262	3	3.63	0.25

Weight: boat only.

2021V5