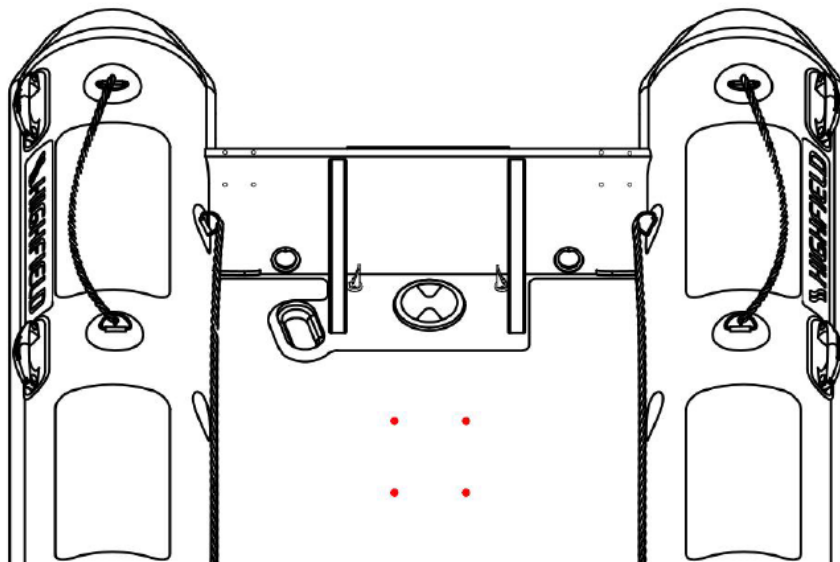
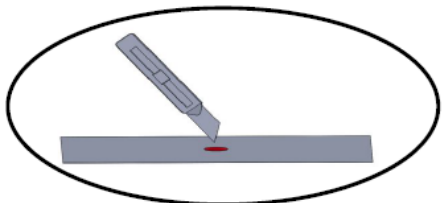
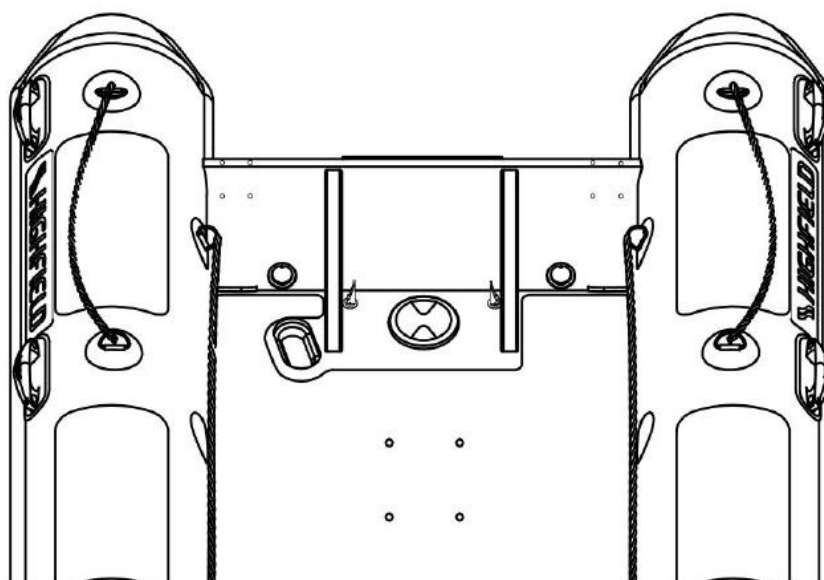
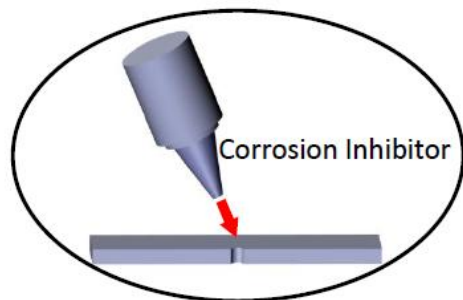


Highfield Boats

Rear Tow Post Installation Guide **(PA420-460)**

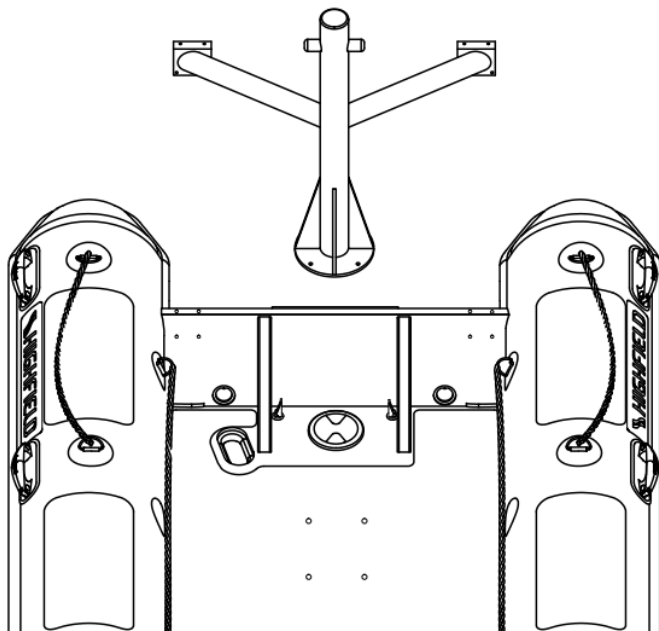
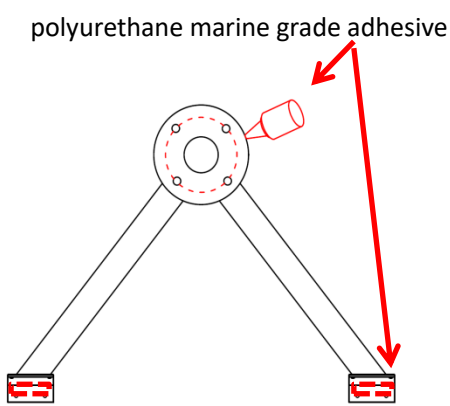


- ① Red stickers indicate the location of holes for installation. Tear off the stickers and cut the anti-skid PVC decking to expose the holes. Do not remove the anti-skid fabric.

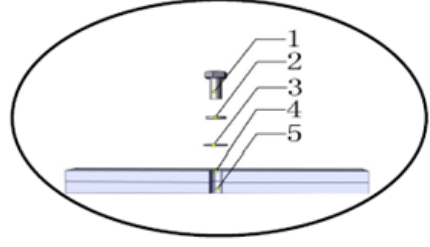
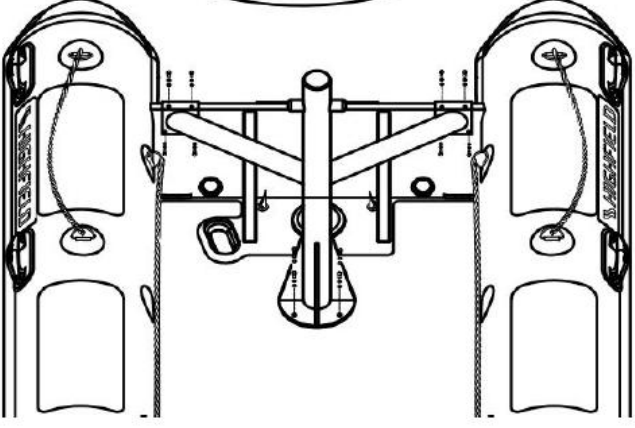
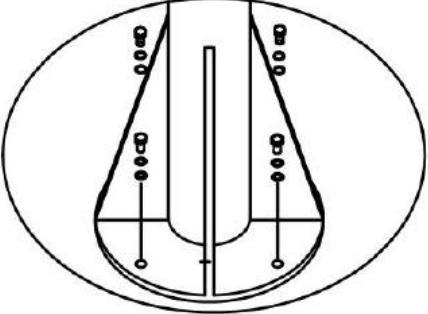
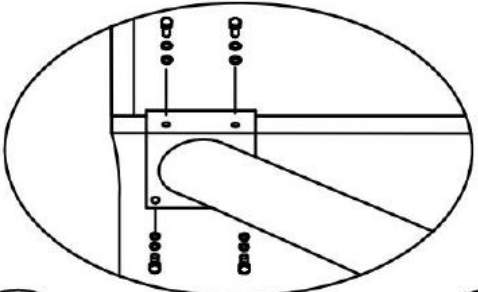


- ② Use insulating compound to eliminate corrosion between the aluminum and the stainless steel screws.

Recommended corrosion inhibitor: Duralac, Tef-Gel, Lanocote

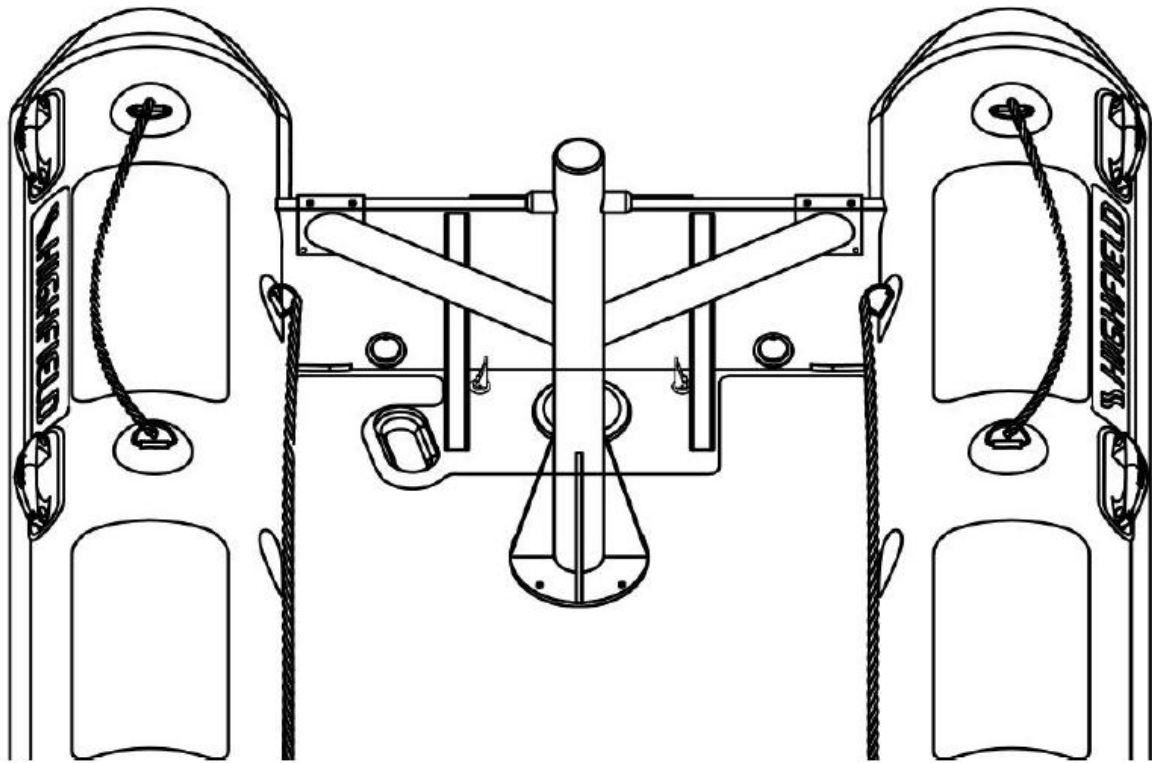


③ Gently clean the deck. Secure the rear tow post using polyurethane marine grade adhesive such as 3M 5200, Sika 291, Fixtech Fix 15.



- 1—Screw M8×40mm;
- 2—Stainless steel flat washer M8
- 3—Plastic washer M8
- 4—Rear tow post base;
- 5—Deck/Transom

④ Use insulating compound on the M8 stainless steel screws supplied with the rollbar. Fasten the rollbar to the deck and transom using the screws.



Congratulations, you have successfully installed the rear tow post.