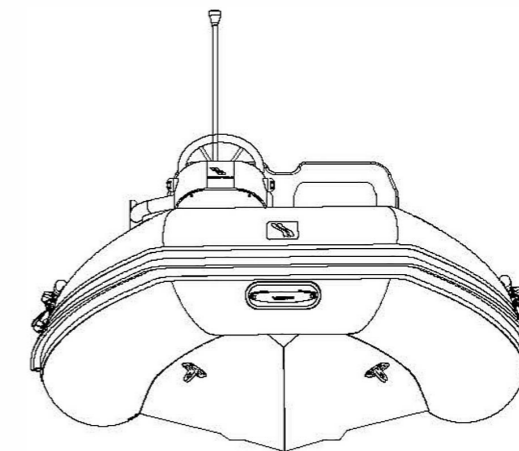
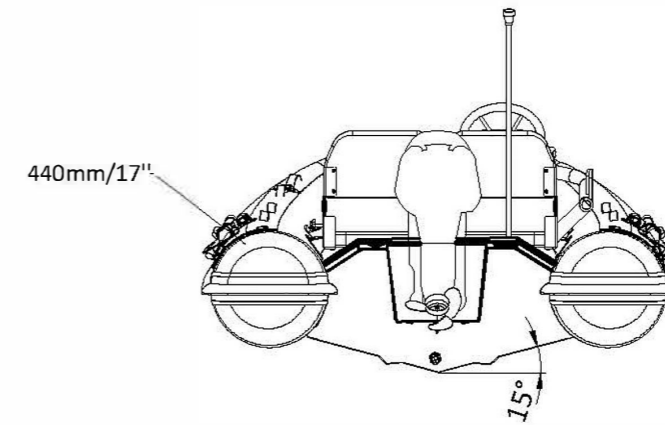
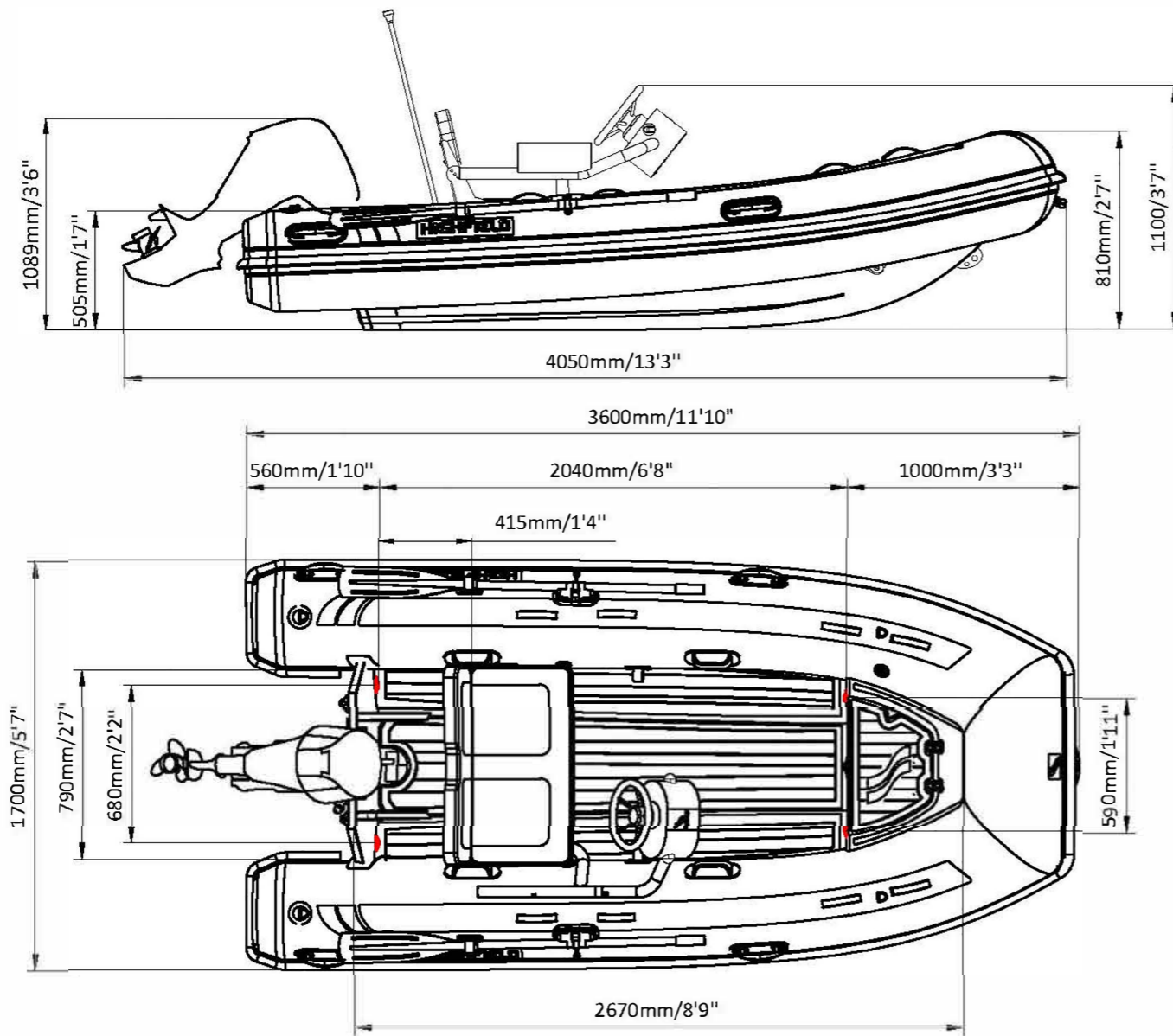


CLASSIC 360 LS

SPECIFICATIONS



SPECIFICATIONS AND MAXIMUM CAPACITIES (Subject to change without notice. Tolerances: dimensions ±2.5%, weights ±5%)

MODEL	ISO 6185 PART	ISO 6185	Passengers		#	Weight		Shaft	Outboard Engine		Fuel Capacity		Fuel Tank Capacity		Oars		Fuel tank Capacity		Wet Weight (Approximate)		AIR CHAMBERS	Pressure					
			KG	LB		KG	LB		Max power	Max weight	KG	LB	KG	LB	KG	LB	KG	LB	KG	LB		KG	LB	PSI	BAR		
									KW	HP	KG	LB			L	GAL											
CL360LS	3	C	561	1237	6	450	992	S	22.38	30	124.1	274	77	170	36	79	3	6.6	1.5	3.3	/	/	208	458	3	3.63	0.25

Weight: boat only.