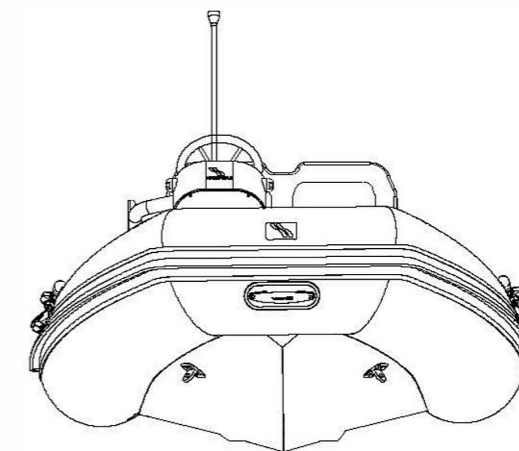
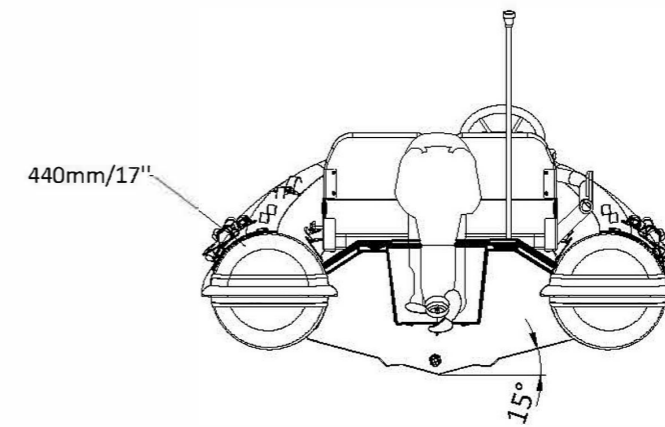
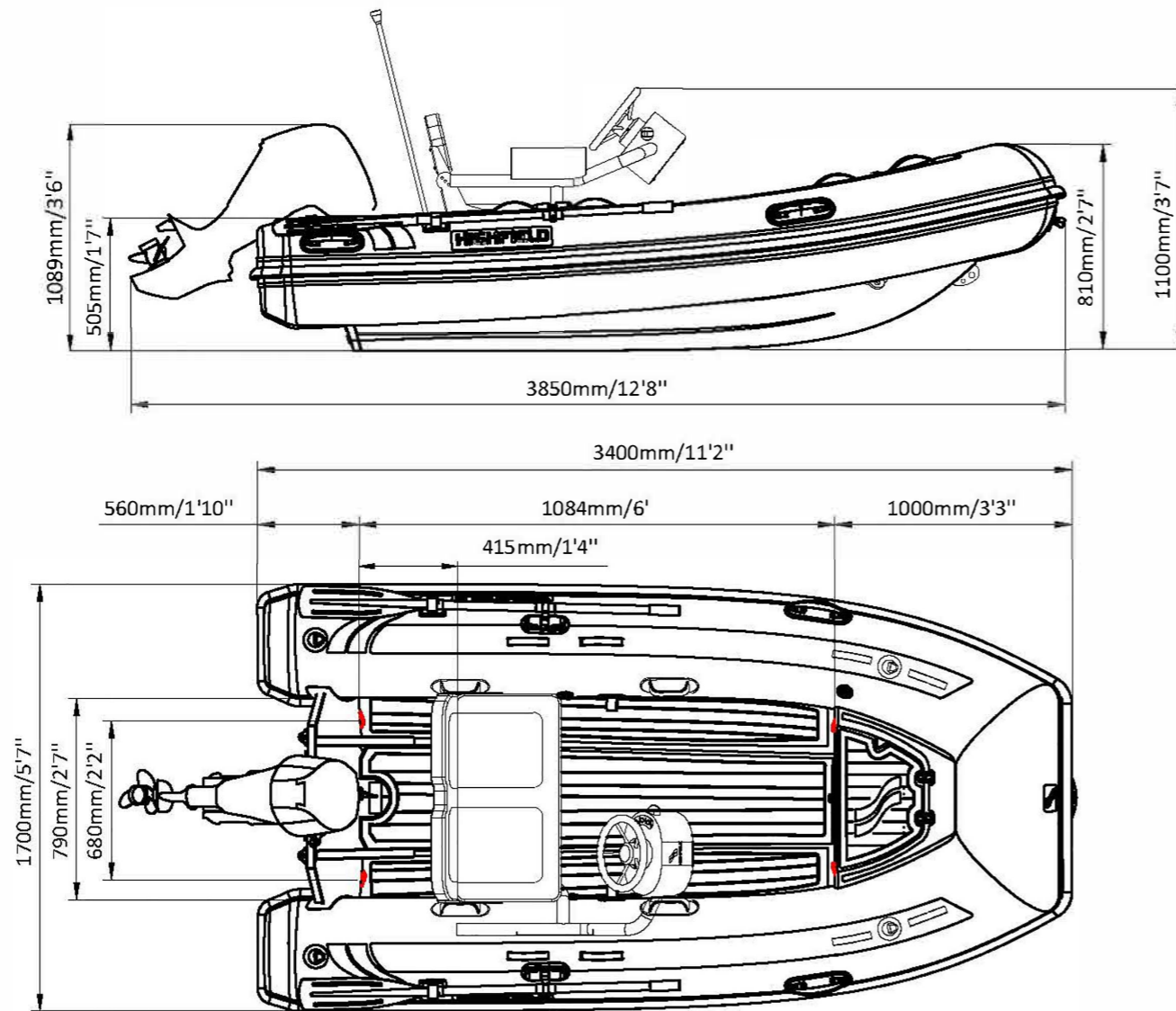


CLASSIC 340 LS

SPECIFICATIONS



SPECIFICATIONS AND MAXIMUM CAPACITIES (Subject to change without notice. Tolerances: dimensions ±2.5%, weights ±5%)

MODEL	ISO 6185 PART	ISO 6185	Occupants		#	Weight		Shaft	Outboard Engine		FCT		Molded seat		Oars		Fuel tank Capacity		Wet Weight (Approximate) with 25hp Yamaha (-30lbs w 20hpTohatsu)		AIR CHAMBERS	Pressure					
			KG	LB		KG	LB		Max power	Max weight	KG	LB	KG	LB	KG	LB	KG	LB	L	GAL		KG	LB	PSI	BAR		
									KW	HP	KG	LB															
CL340LS	3	C	551	1215	6	450	992	S	18.65	25	104.5	230	73	161	36	79	3	6.6	1.5	3.3	/	/	205	450	3	3.63	0.25

Weight: boat only.