

GARMIN®

STRIKER™ PLUS 4 ICE FISHING BUNDLE INSTALLATION INSTRUCTIONS

Important Safety Information

WARNING

See the *Important Safety and Product Information* guide in the chartplotter or fishfinder product box for product warnings and other important information.

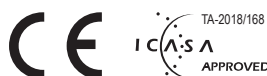
To obtain best performance and to avoid possible damage, you must install this mount using these instructions. Read all installation instructions before proceeding with the installation. If you experience difficulty during the installation, go to support.garmin.com for more information.

Battery Warnings

WARNING

The Garmin® device uses a user-replaceable, sealed, lead-acid battery. If these guidelines are not followed, the battery may experience a shortened life span or may present a risk of damage to the device, fire, chemical burn, electrolyte leak, and/or bodily injury.

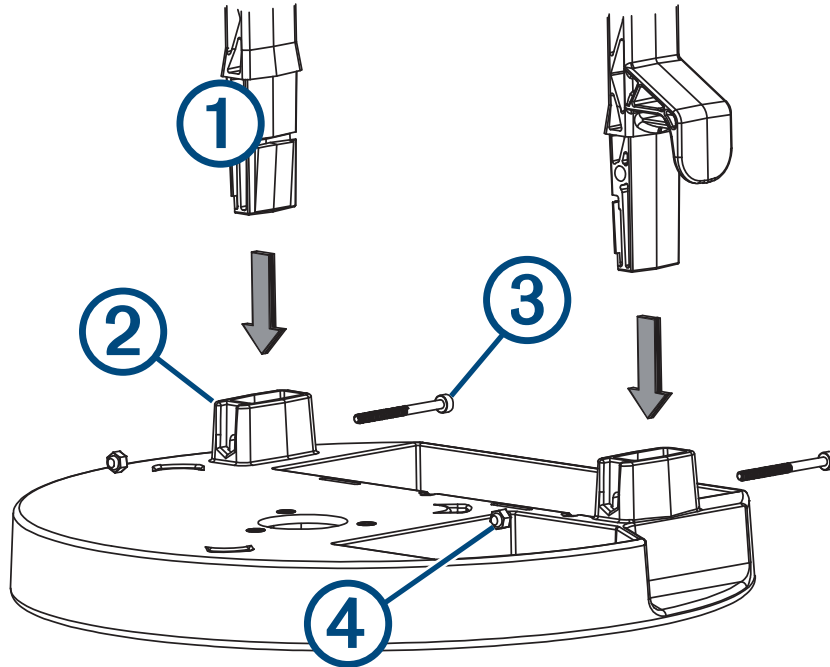
- Do not place the battery near objects that may cause sparks, flames, or heat.
- Do not incinerate the battery.
- Do not use a sharp object to remove the battery.
- Do not disassemble, puncture, or damage the battery.
- Do not swallow, touch, or inhale the contents of an open battery. Avoid contact with internal acid. Contact with internal acid may cause irritation or severe burns. Irritation may occur to the eyes, respiratory system, and skin. Flush with water at once if contact is made with acid.
- Do not submerge the battery and avoid contact with water.
- Do not short the battery terminals.
- Do not drop or throw the battery.
- Keep the battery away from children.
- Only replace the battery with the correct replacement battery. Using another battery presents a risk of fire or explosion of the device or charger.
- Only use the included Garmin 12 Vdc charger.
- Do not charge the battery in an unventilated area.
- Store in a cool, dry, and well-ventilated area.
- Do not charge the battery in a gas-tight container.
- Do not leave the device exposed to a heat source or in a high-temperature location, such as in the sun in an unattended vehicle. To prevent damage, remove the device from the vehicle or store it out of direct sunlight.
- Do not use organic solvents or other cleaners other than recommended chemical cleaners on the battery.
- Contact your local waste disposal department to dispose of the battery in accordance with applicable local laws and regulations.
- When storing the battery for an extended time, store within the following temperature range: from 5° F to 104° F (from -15° C to 40° C).
- Do not operate the battery outside of the following temperature range: from 5° F to 122° F (from -15° C to 50° C).



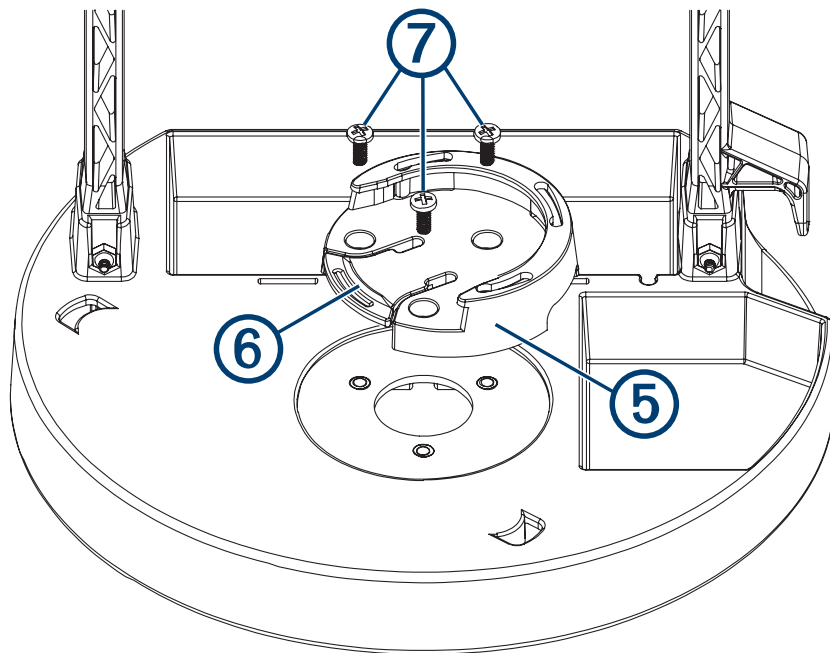
Assembling the Portable Mount

You need a Phillips screwdriver to assemble the portable mount.

- 1 Insert the handle ① into the two openings on the portable mount ②.



- 2 Secure the handle to the portable mount using the two included M4×0.7×40 mm screws ③ and nuts ④.
- 3 Orient the swivel-mount base ⑤ on the portable mount with the opening ⑥ facing away from the battery compartment.



- 4 Fasten the swivel-mount base using the three M4×0.7×10 mm screws ⑦.
- 5 Slide the swivel mount into the opening on the swivel mount base until it locks in place.
- 6 Snap the cradle into the swivel mount.
- 7 Snap the device in the cradle until it locks in place.

Connecting and Stowing the Cables

CAUTION

Ensure that you connect the correct spade connector to the correct battery terminal. Damage to the battery or device, or bodily harm may occur if the device is improperly connected to the battery.

- 1 Identify the power cable and transducer cable and the corresponding ports on the device.
- 2 Align the divot on each connector to the keying on each device port.
- 3 Push the cable connectors into the correct port until the connector is fully seated.
- 4 Slide the positive (red) spade connector onto the positive (red) terminal on the battery.
- 5 Slide the negative (black) spade connector onto the negative (black) terminal on the battery.
- 6 If necessary, wrap excess transducer cable around the hooks on the side of the handle on the portable mount.

Charging the Battery

CAUTION

Ensure that you connect the correct spade connector to the correct battery terminal. Damage to the battery or device, or bodily harm may occur if the device is improperly connected to the battery.

You should always use the all-in-one cable to charge the battery.

- 1 Remove the battery terminal covers.
- 2 Connect the red and black spade connectors from the all-in-one cable onto the corresponding battery terminals.
- 3 Connect the all-in-one cable to the wall charger.
- 4 Connect the wall charger to the wall outlet.

The light on the wall charger is solid orange when the battery is charging. It takes about 10 to 12 hours in a room-temperature environment to fully charge a fully discharged battery. When the light is solid green, the battery is fully charged.

Battery Tips

- The length of time a fully charged battery will last before fully discharging varies based on many factors, such as device backlight brightness, the temperature, and the age of the battery.
- You can lower the backlight brightness level to help extend the battery life.
- The life expectancy of a sealed, lead-acid battery can be extended by frequently recharging and not completely discharging the battery.
- Sealed, lead-acid batteries slowly lose their charge while in storage. For best results, charge the battery prior to use.
- When used in cold temperatures, sealed, lead-acid batteries do not hold the charge as long as in warmer temperatures.
- Sealed, lead-acid batteries are completely recyclable.

Placing the Portable Mount in the Bag

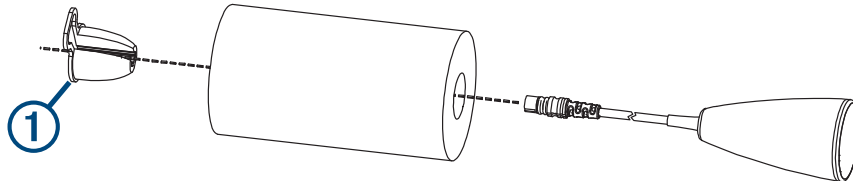
After you have assembled the portable mount, you can place it in the bag, which makes it easier to carry and protects it from the elements. The bag contains loops that allow you to tether the bag as needed.

- 1 Slide two of the included hook and loop straps through the narrow slots beside the battery compartment.
- 2 Place the battery into the battery compartment under the handle.
- 3 Pull the straps under and around the bottom of the portable mount, and wrap them tightly around the battery.
- 4 Place the portable mount and transducer into the bag.
- 5 If necessary, wrap the excess power cable and transducer cables around the handle.
- 6 Close all of the zippers.

You can use the zipper at the back of the bag for quick access to charge the battery. You can store the wall charger in the interior zippered pocket.

Installing the Ice Fishing Transducer

- 1 Insert the transducer cable through the float.
- 2 Snap the float stop ① onto the transducer cable, on the top of the float.



- 3 Adjust the float and float stop so the transducer is hanging beneath the bottom edge of the ice.
- 4 With the transducer cable connected to the back of the device, drop the transducer into the water.

Specifications

Battery type	Sealed, lead acid, 7 Ah
Battery life	Up to 11 hr. NOTE: The actual battery life of a fully charged battery can vary based on the device used, backlight brightness, temperature the battery is operated and stored in, age of the battery, and depth of the water.
Battery discharge at 0°C (32°F)	10.5 hr. with screen brightness at 100%, 26.5 hr. at 50%
Battery shelf life after charging	1 mo.: 92% 3 mo.: 90% 6 mo.: 80%
Battery operating temperature range	From -15° to 50°C (from 5° to 122°F)
Battery charging temperature range	From -15° to 40°C (from 5° to 104°F)
Battery storage temperature range	From -15° to 40°C (from 5° to 104°F)
Physical size, assembled kit with device (L × W × H)	311 mm × 367 mm × 254 mm (12.25 in. × 14.45 in. × 10 in.)
Weight fully assembled	3.9 kg (8.59 lb.)
Rated current	0.225 A (nominal), 1.5 A (peak)
Temperature range, device	From -15° to 55°C (from 5° to 131°F)
Fuse	3 A, 250 V fast-acting
Input voltage, device	From 10 to 20 Vdc
Water rating, device	IEC 60529 IPX7 ¹
Compass-safe distance, device	130 cm (11.8 in.)
Dual Beam-IF ice fishing transducer frequencies	CHIRP 77 and CHIRP 200 kHz
Dual Beam-IF ice fishing transducer transmit power (RMS)	200 W
Dual Beam-IF ice fishing transducer beam width	45 degrees at CHIRP 77 kHz 15 degrees at CHIRP 200 kHz

© 2020 Garmin Ltd. or its subsidiaries

Garmin® and the Garmin logo are trademarks of Garmin Ltd. or its subsidiaries, registered in the USA and other countries. STRIKER™ is a trademark of Garmin Ltd. or its subsidiaries. These trademarks may not be used without the express permission of Garmin.

¹ The device withstands incidental exposure to water of up to 1 m for up to 30 min. For more information, go to www.garmin.com/waterrating.

