

GARMIN®

ICE FISHING KIT

INSTALLATION INSTRUCTIONS

Getting Started

NOTE: If you purchased your chartplotter or fishfinder separately, use the swivel-mount base and bail mount bracket included with your device.

NOTE: If you purchased your chartplotter or fishfinder separately, you may need to purchase a transducer adapter cable:

- Devices with a blue 8-pin sonar connector require a 4-pin Transducer to 8-pin Sounder Adapter Cable (010-12721-00).
- Devices with an orange 12-in sonar connector require a 4-pin Transducer to 12-pin Sounder Adapter Cable (010-12718-00).

To purchase accessories, go to buy.garmin.com.



Battery Information

Battery Warnings

WARNING

The Garmin® device uses a user-replaceable, sealed, lead-acid battery. If these guidelines are not followed, the battery may experience a shortened life span or may present a risk of damage to the device, fire, chemical burn, electrolyte leak, and/or bodily injury.

- Do not place the battery near objects that may cause sparks, flames, or heat.
- Do not incinerate the battery.
- Do not use a sharp object to remove the battery.
- Do not disassemble, puncture, or damage the battery.
- Do not swallow, touch, or inhale the contents of an open battery. Avoid contact with internal acid. Contact with internal acid may cause irritation or severe burns. Irritation may occur to the eyes, respiratory system, and skin. Flush with water at once if contact is made with acid.
- Do not submerge the battery and avoid contact with water.
- Do not short the battery terminals.
- Do not drop or throw the battery.
- Keep the battery away from children.
- Only replace the battery with the correct replacement battery. Using another battery presents a risk of fire or explosion of the device or charger.
- Only use the included 12 Vdc charger.
- Do not charge the battery in an unventilated area.
- Store in a cool, dry, and well-ventilated area.
- Do not charge the battery in a gas-tight container.
- Do not leave the device exposed to a heat source or in a high-temperature location, such as in the sun in an unattended vehicle. To prevent damage, remove the device from the vehicle or store it out of direct sunlight.
- Do not use organic solvents or other cleaners other than recommended chemical cleaners on the battery.
- Contact your local waste disposal department to dispose of the battery in accordance with applicable local laws and regulations.
- When storing the battery for an extended time, store within the following temperature range: from 5° F to 104°F (from -15° C to 40° C).
- Do not operate the battery outside of the following temperature range: from 5° F to 122° F (from -15° C to 50° C).

Charging the Battery

CAUTION

Ensure that you connect the correct spade connector to the correct battery terminal. Damage to the battery or device, or bodily harm may occur if the device is improperly connected to the battery.

You should always use the all-in-one cable to charge the battery.

- 1 Remove the battery terminal covers.
- 2 Connect the red and black spade connectors from the all-in-one cable onto the corresponding battery terminals.
- 3 Connect the all-in-one cable to the wall charger.
- 4 Connect the wall charger to the wall outlet.

The light on the wall charger is solid orange when the battery is charging. It takes about 10 to 12 hours in a room-temperature environment to fully charge a fully discharged battery. When the light is solid green, the battery is fully charged.

Battery Tips

- The length of time a fully charged battery will last before fully discharging varies based on many factors, such as device backlight brightness, the temperature, and the age of the battery.
- You can lower the backlight brightness level to help extend the battery life.
- The life expectancy of a sealed, lead-acid battery can be extended by frequently recharging and not completely discharging the battery.
- Sealed, lead-acid batteries slowly lose their charge while in storage. For best results, charge the battery prior to use.
- When used in cold temperatures, sealed, lead-acid batteries do not hold the charge as long as in warmer temperatures.
- Sealed, lead-acid batteries are completely recyclable.

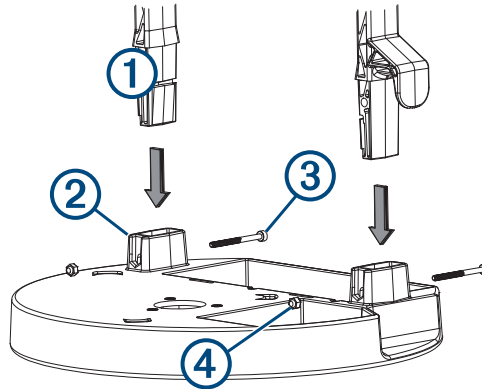
Portable Ice Fishing Kit Specifications

Battery type	Sealed, lead acid, 7 Ah
Battery life	Up to 11 hr. NOTE: The actual battery life of a fully charged battery can vary based on the device used, backlight brightness, temperature the battery is operated and stored in, age of the battery, and depth of the water.
Battery shelf life after charging	1 mo.: 92% 3 mo.: 90% 6 mo.: 80%
Battery operating temperature range	From 5° to 122°F (from -15° to 50°C)
Battery charging temperature range	From 5° to 104°F (from -15° to 40°C)
Battery storage temperature range	From 5° to 104°F (from -15° to 40°C)
Physical size, assembled kit with device (L × W × H)	10.5 in. × 9.5 in. × 10.5 in. (267 mm × 229 mm × 267 mm)
Weight without device	9 lb. (4.1 kg)
Ice fishing transducer frequencies	GT10HN Traditional: 130 to 300 kHz (High Frequency, Narrow Beam, CHIRP) GT8HW Traditional: 150 to 240 kHz (High Frequency, Wide Beam, CHIRP) Dual Beam-IF: 77 and 200 kHz (Dual Beam, CHIRP)
Ice fishing transducer transmit power (RMS)	GT10HN: 500 W GT8HW: 250 W Dual Beam-IF: 500 W
Ice fishing transducer beam width	GT10HN: User adjustable, from 8 to 16°, in 1° steps GT8HW: User adjustable, from 16 to 24°, in 1° steps Dual Beam-IF: 45° at 77 kHz; 15° at 200 kHz

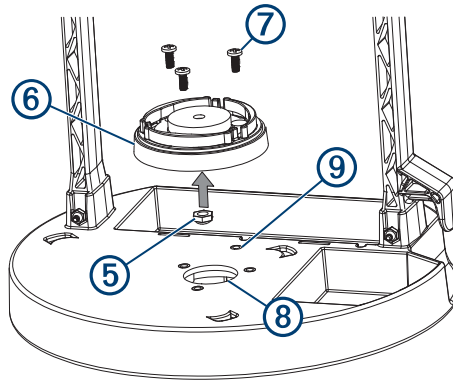
Assembling the Mount

You need a Phillips screwdriver to assemble the mount.

- 1 Insert the handle ① into the two openings on the portable mount ②.



- 2 Attach the handle to the portable mount using two M4×0.7×40 mm screws ③ and M4×7 nuts ④.
- 3 Press the M6×1 nut ⑤ into the bottom of the swivel-mount base ⑥.



NOTE: If you purchased your chartplotter or fishfinder separately, use the swivel-mount base and bail mount bracket included with your device.

- 4 Place the swivel-mount base on the portable mount and fasten the swivel-mount base using the three M4×0.7×10 mm screws ⑦.

NOTE: For 4" and 5" units, install the mount on the front hole pattern ⑧. For 6" and 7" units, install the mount on the rear hole pattern ⑨. The rear hole pattern allows more room in front of the unit to close the front zipper of the bag.

- 5 Place the bail-mount bracket on the swivel-mount base.
- 6 Install the M6×1.0 mm screw through the bracket and base, and tighten to the preferred position.
- 7 Slide an included rubber washer onto each bail-mount knob, and screw the knobs into the sides of the device.

NOTE: The rubber washers enable you to adjust the viewing angle without loosening the knobs.

- 8 Place the device in the bail-mount bracket and tighten the bail-mount knobs.
- 9 If necessary, pull out enough slack from the power and transducer cables so the mount can fully tilt to the preferred positions when the cables are connected.

Placing the Portable Mount in the Bag

After you have assembled the portable mount, you can place it in the bag, which makes it easier to carry and protects it from the elements. The bag contains loops that allow you to tether the bag as needed.

- 1 Slide two of the included hook and loop straps through the narrow slots beside the battery compartment.
- 2 Place the battery into the battery compartment under the handle.
- 3 Pull the straps under and around the bottom of the portable mount, and wrap them tightly around the battery.
- 4 Place the portable mount and transducer into the bag.
- 5 If necessary, wrap the excess power cable and transducer cables around the handle.
- 6 Close all of the zippers.

You can use the zipper at the back of the bag for quick access to charge the battery. You can store the wall charger in the interior zippered pocket.

Connecting the Cables

⚠ CAUTION

Ensure that you connect the correct spade connector to the correct battery terminal. Damage to the battery or device, or bodily harm may occur if the device is improperly connected to the battery.

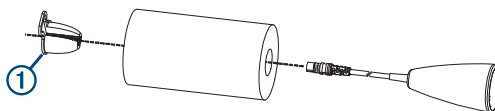
- 1 Connect the power cable and transducer cables to the device.
- 2 If your power cable has gray bare wire connectors, you can use these to power a Panoptix™ PS22 transducer (sold separately). Connect the power leads to the gray bare wire connectors on the ice fishing power cable, if necessary.
- 3 Slide the red spade connector onto the positive (red) terminal on the battery.
- 4 Slide the black spade connector onto the negative (black) terminal on the battery.

Installing the Ice Fishing Transducer

NOTE: If you purchased your chartplotter or fishfinder separately, you may need to purchase a transducer adapter cable:

- Devices with a blue 8-pin sonar connector require a 4-pin Transducer to 8-pin Sounder Adapter Cable (010-12721-00).
- Devices with an orange 12-in sonar connector require a 4-pin Transducer to 12-pin Sounder Adapter Cable (010-12718-00).

- 1 Insert the transducer cable through the float.
- 2 Snap the float stop ① onto the transducer cable, on the top of the float.



- 3 Adjust the float and float stop so the transducer is hanging beneath the bottom edge of the ice.
- 4 With the transducer cable connected to the back of the device, drop the transducer into the water.

© 2018 Garmin Ltd. or its subsidiaries

Garmin® and the Garmin logo are trademarks of Garmin Ltd. or its subsidiaries, registered in the USA and other countries. These trademarks may not be used without the express permission of Garmin.

